

US00D602265S

(12) **United States Design Patent**  
**Cruz**

(10) **Patent No.:** **US D602,265 S**  
(45) **Date of Patent:** **\*\* Oct. 20, 2009**

(54) **PHOTO DISPLAY DEVICE**

(75) Inventor: **Seymer Cruz**, Unionville (CA)

(73) Assignee: **Umbra LLC**, Buffalo, NY (US)

(\*\*) Term: **14 Years**

(21) Appl. No.: **29/313,367**

(22) Filed: **Dec. 30, 2008**

(51) **LOC (9) Cl.** ..... **06-07**

(52) **U.S. Cl.** ..... **D6/314; D6/309**

(58) **Field of Classification Search** ..... D6/471,  
D6/309, 455, 314, 300; D11/121; 428/11;  
473/601; D10/1; D30/160; 40/327, 661,  
40/771, 728, 737, 734

See application file for complete search history.

(56) **References Cited**

**U.S. PATENT DOCUMENTS**

D52,558 S *	10/1918	Buchenau	.....	D6/471
D59,181 S *	10/1921	Buchenau	.....	D6/471
D158,699 S *	5/1950	Wasilevich	.....	D6/455
D213,150 S *	1/1969	McBain	.....	D8/455
D219,895 S *	2/1971	Loewy	.....	D6/455
D220,146 S *	3/1971	Loewy	.....	D6/455
3,694,648 A	9/1972	Yates		
3,802,104 A	4/1974	Wiley		
4,116,439 A *	9/1978	Chavarria et al.	.....	473/52
4,173,667 A	11/1979	Rusch		
4,180,930 A	1/1980	DiMatteo		
4,224,364 A	9/1980	Hunt		
D266,749 S *	11/1982	Sun	.....	D11/121
4,592,936 A	6/1986	Ferguson		
4,889,748 A *	12/1989	Dudley	.....	428/11
5,175,029 A	12/1992	Peterson		
5,226,252 A	7/1993	Haluska		
5,320,345 A *	6/1994	Lai et al.	.....	473/601
D375,411 S *	11/1996	Hawkins	.....	D6/314
5,649,874 A	7/1997	Headford et al.		
D384,824 S	10/1997	Johnson		
5,688,567 A	11/1997	Daulton		

5,713,147 A	2/1998	Johnson		
5,811,159 A	9/1998	Chang		
6,029,383 A	2/2000	Zappitelli		
6,256,914 B1	7/2001	Yeh		
6,438,878 B1	8/2002	Fine et al.		
D475,930 S *	6/2003	Chang	.....	D10/1
6,592,706 B1	7/2003	Malherbe de Juvigny		
D494,716 S *	8/2004	Chang	.....	D30/160

**FOREIGN PATENT DOCUMENTS**

DE 10020186 10/2001

\* cited by examiner

*Primary Examiner*—Caron Veynar

*Assistant Examiner*—Sydney R Buffalow

(74) *Attorney, Agent, or Firm*—Simpson & Simpson, PLLC

(57) **CLAIM**

The ornamental design for a photo display device, as shown and described.

**DESCRIPTION**

FIG. 1 is a perspective view of the present invention photo display device;

FIG. 2 is a right side elevational view of the photo display device;

FIG. 3 is a front elevational view of the photo display device;

FIG. 4 is a bottom plan view of the photo display device; and,

FIG. 5 is a top plan view of the photo display device.

It should be appreciated that the left side elevational view of the photo display device, while not shown, is identical to the right side elevational view as shown in FIG. 2. Likewise, the back elevational view of the photo display device, while not shown, is identical to the front elevational view as shown in FIG. 3. The broken line illustrations of a string and two apertures arranged in the top of the photo display device, the picture of a woman, and the picture of a house shown in the figures are for illustrative purposes only and form no part of the claimed invention.

**1 Claim, 3 Drawing Sheets**

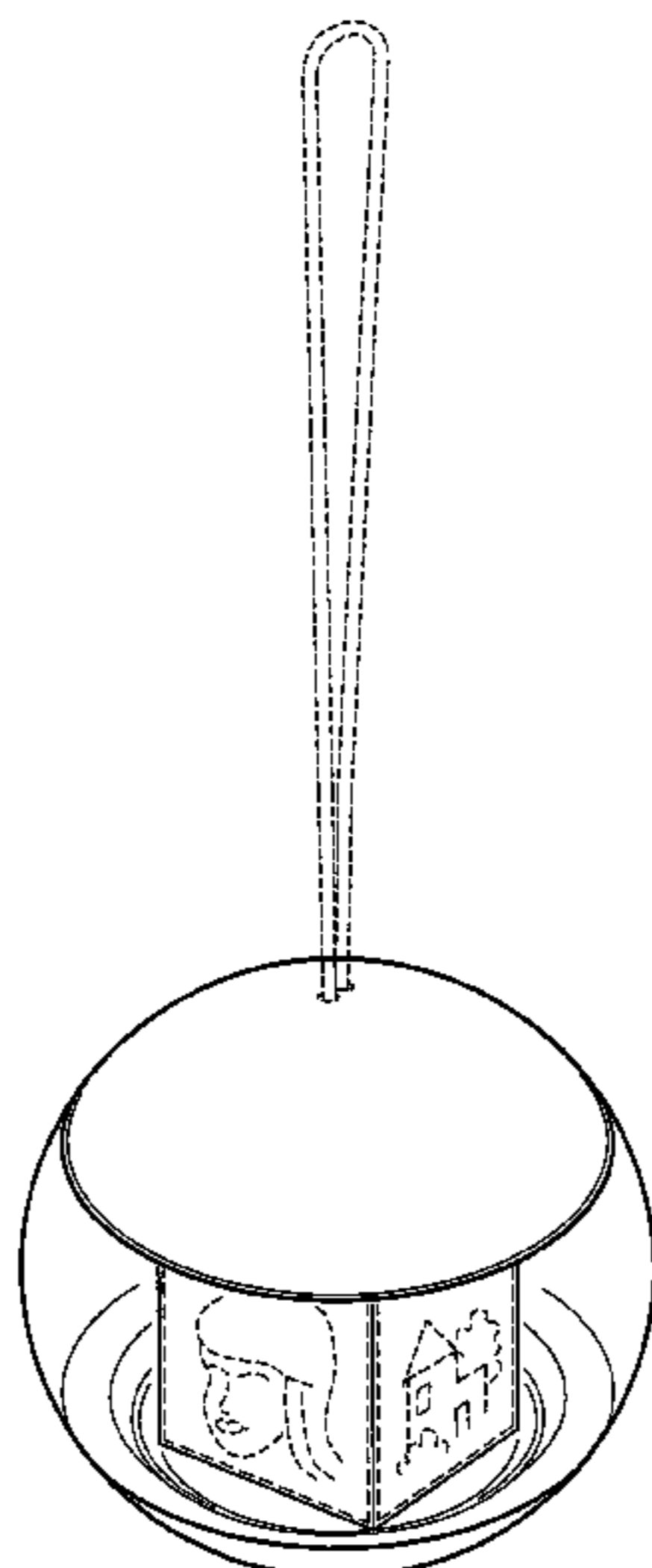


Fig. 1

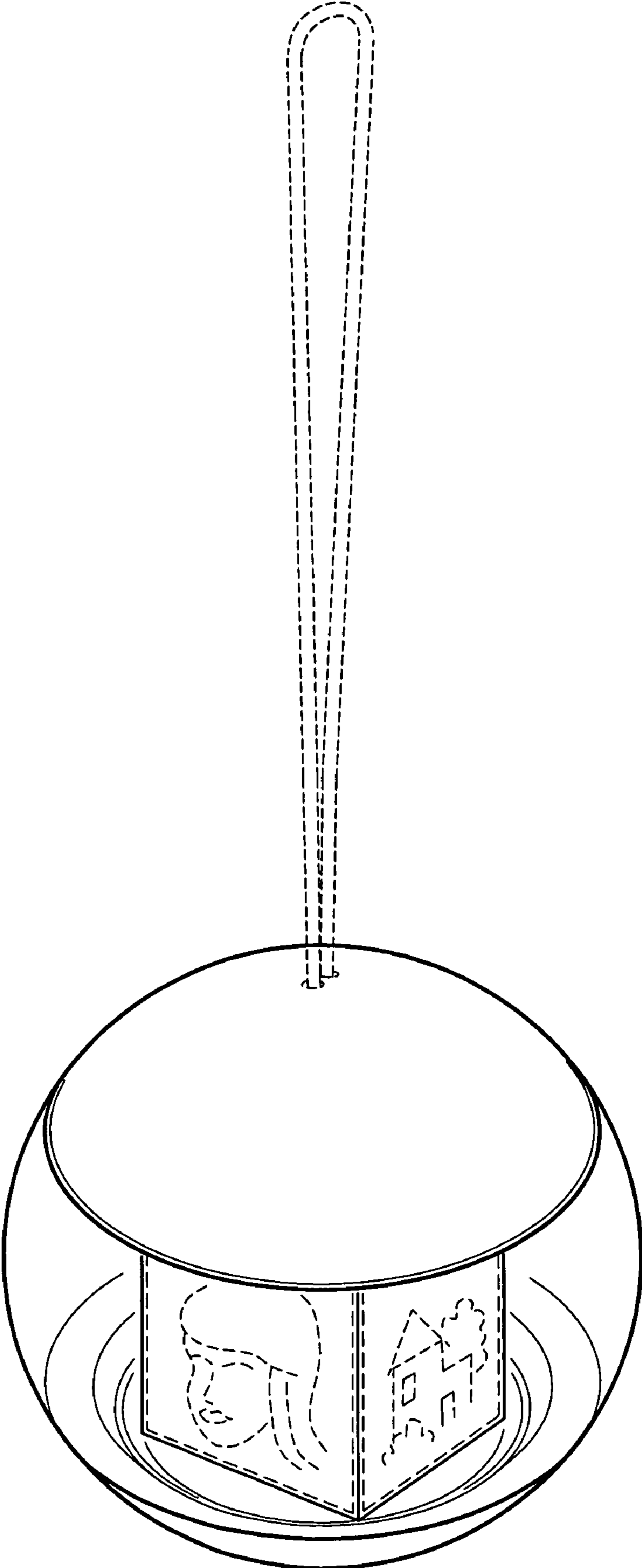


Fig. 2

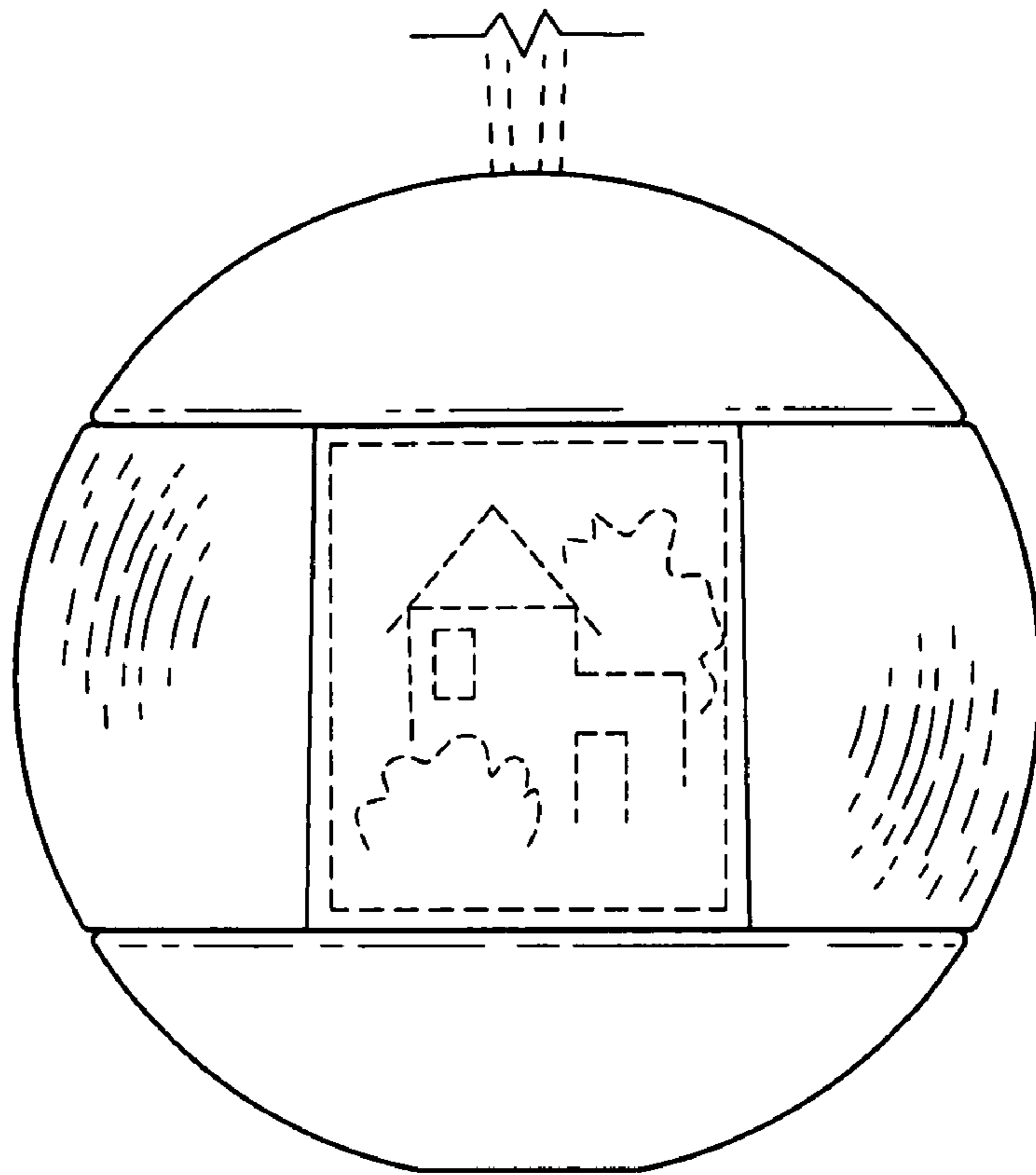


Fig. 3

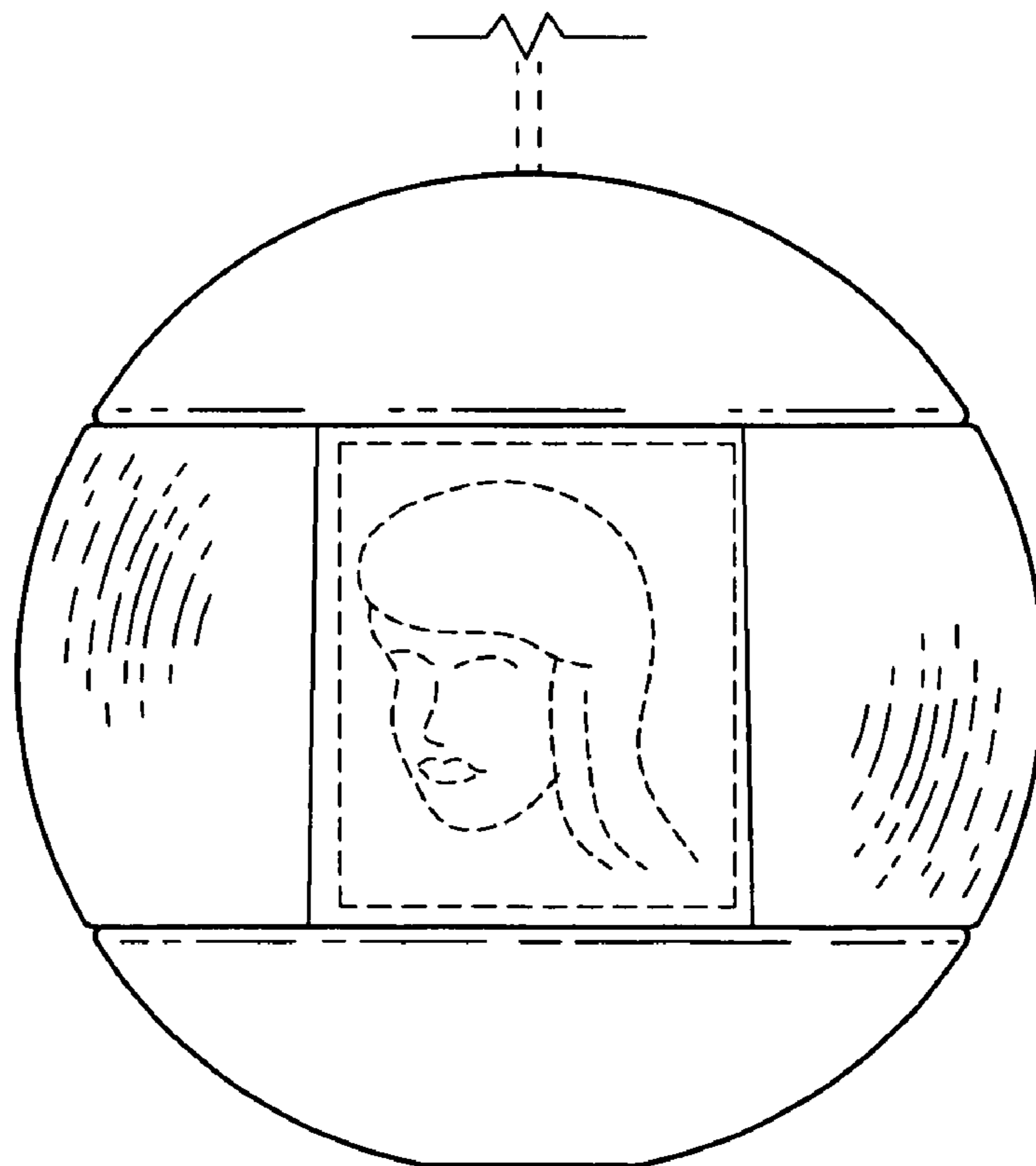


Fig. 4

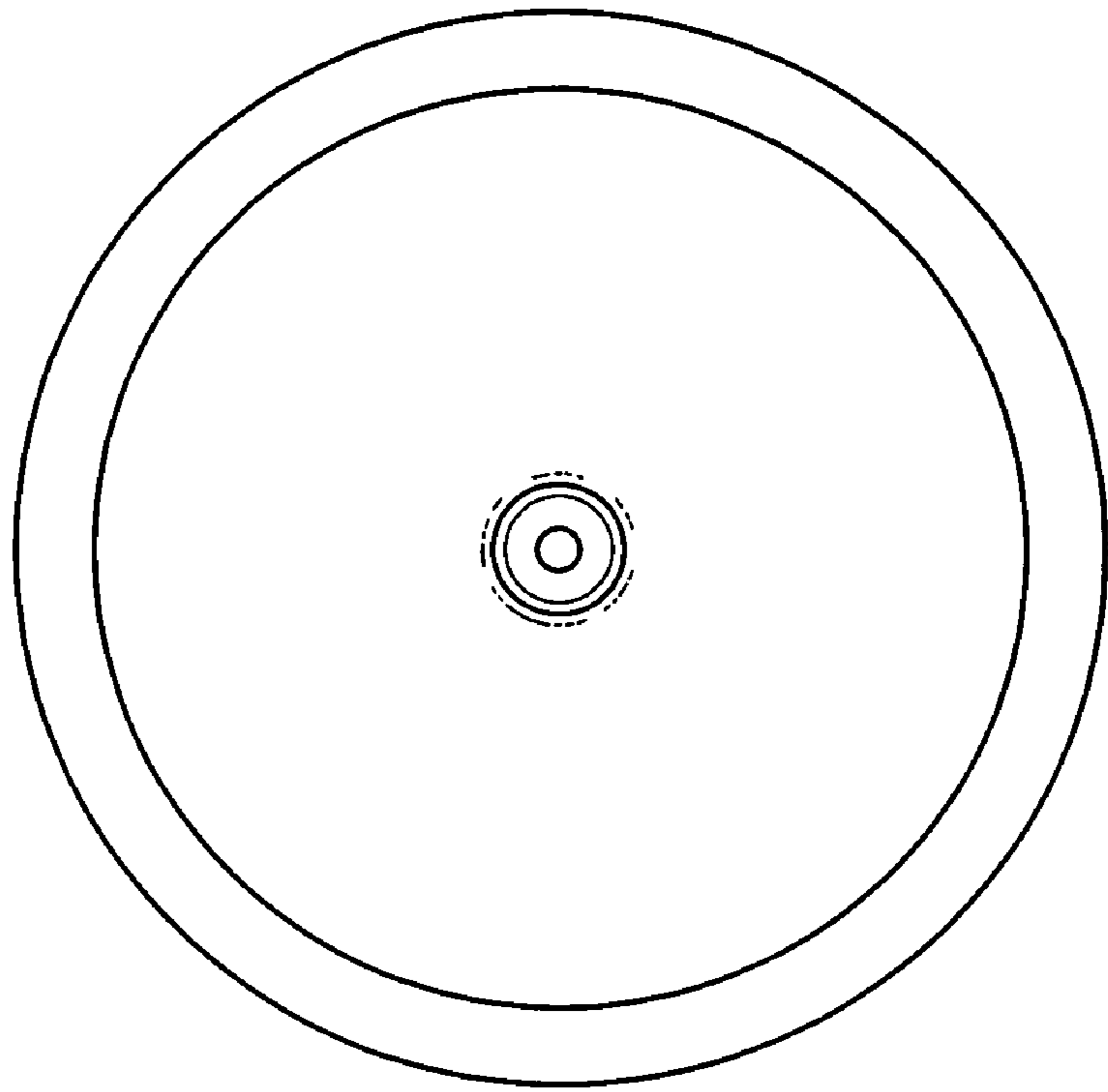


Fig. 5

