



US00D602264S

(12) **United States Design Patent**  
**Sheridoni**

(10) **Patent No.:** **US D602,264 S**

(45) **Date of Patent:** **\*\* Oct. 20, 2009**

(54) **DIGITAL FRAME AND ORGANIZER**

(75) Inventor: **Odulio Sheridoni**, Colma, CA (US)

(73) Assignee: **Elsa L, Inc.**, San Rafael, CA (US)

(\*\*) Term: **14 Years**

(21) Appl. No.: **29/310,878**

(22) Filed: **Sep. 16, 2008**

(51) **LOC (9) Cl.** ..... **06-07**

(52) **U.S. Cl.** ..... **D6/310**

(58) **Field of Classification Search** ..... D6/310,  
D6/397, 308, 300; D19/52, 2, 59; 312/231;  
D24/186; 40/107, 491, 109

See application file for complete search history.

(56) **References Cited**

**U.S. PATENT DOCUMENTS**

D142,850	S	*	11/1945	Geffner	.....	D6/397
2,808,308	A	*	10/1957	Papelian et al.	.....	312/231
D283,086	S	*	3/1986	Weinhart	.....	D6/308
D283,853	S	*	5/1986	Wistrand	.....	D6/308
D369,473	S	*	5/1996	Gluck	.....	D6/300
D396,290	S	*	7/1998	Myers et al.	.....	D24/186
D444,176	S	*	6/2001	Leslie	.....	D19/59
D503,296	S	*	3/2005	Mason	.....	D6/397
D533,902	S	*	12/2006	Tak	.....	D19/52
D545,359	S	*	6/2007	Bramhall	.....	D19/2
D560,280	S	*	1/2008	Skwarek et al.	.....	D24/186

\* cited by examiner

*Primary Examiner*—Joel Sincavage

*Assistant Examiner*—Sydney R Buffalow

(74) *Attorney, Agent, or Firm*—Charles H Jew

(57) **CLAIM**

The ornamental design for a digital frame and organizer, as shown and described.

**DESCRIPTION**

FIG. 1 is a perspective view of the digital frame and organizer showing my design with the top and front compartments in the open positions;

FIG. 2 is a perspective view thereof with the top and front compartments in the closed positions;

FIG. 3 is a rear elevational view thereof with the top compartment in the open position;

FIG. 4 is a front elevational view thereof with the top compartment in the open position;

FIG. 5 is a top plan view thereof with the top compartment in the open position;

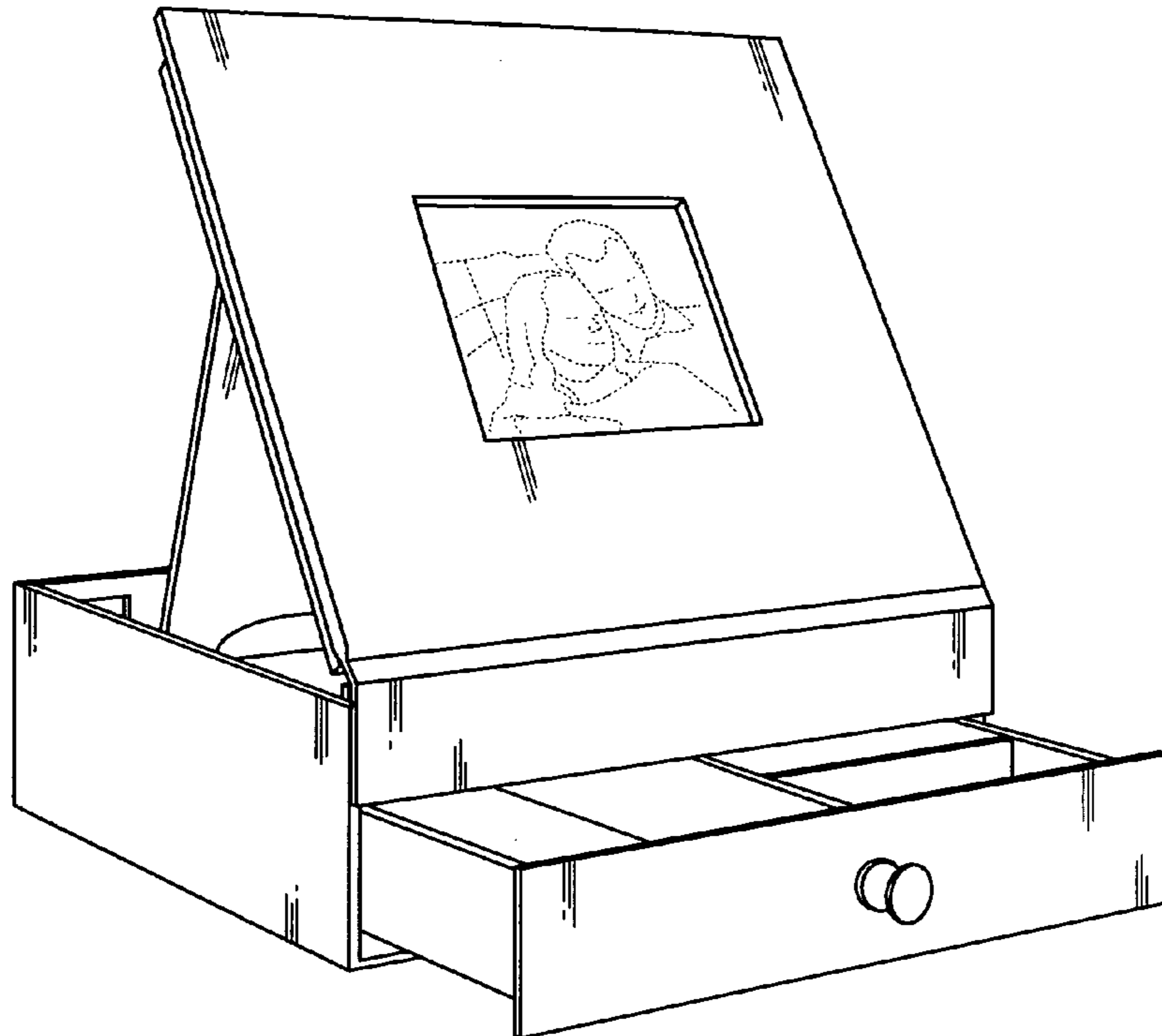
FIG. 6 is a bottom plan view thereof;

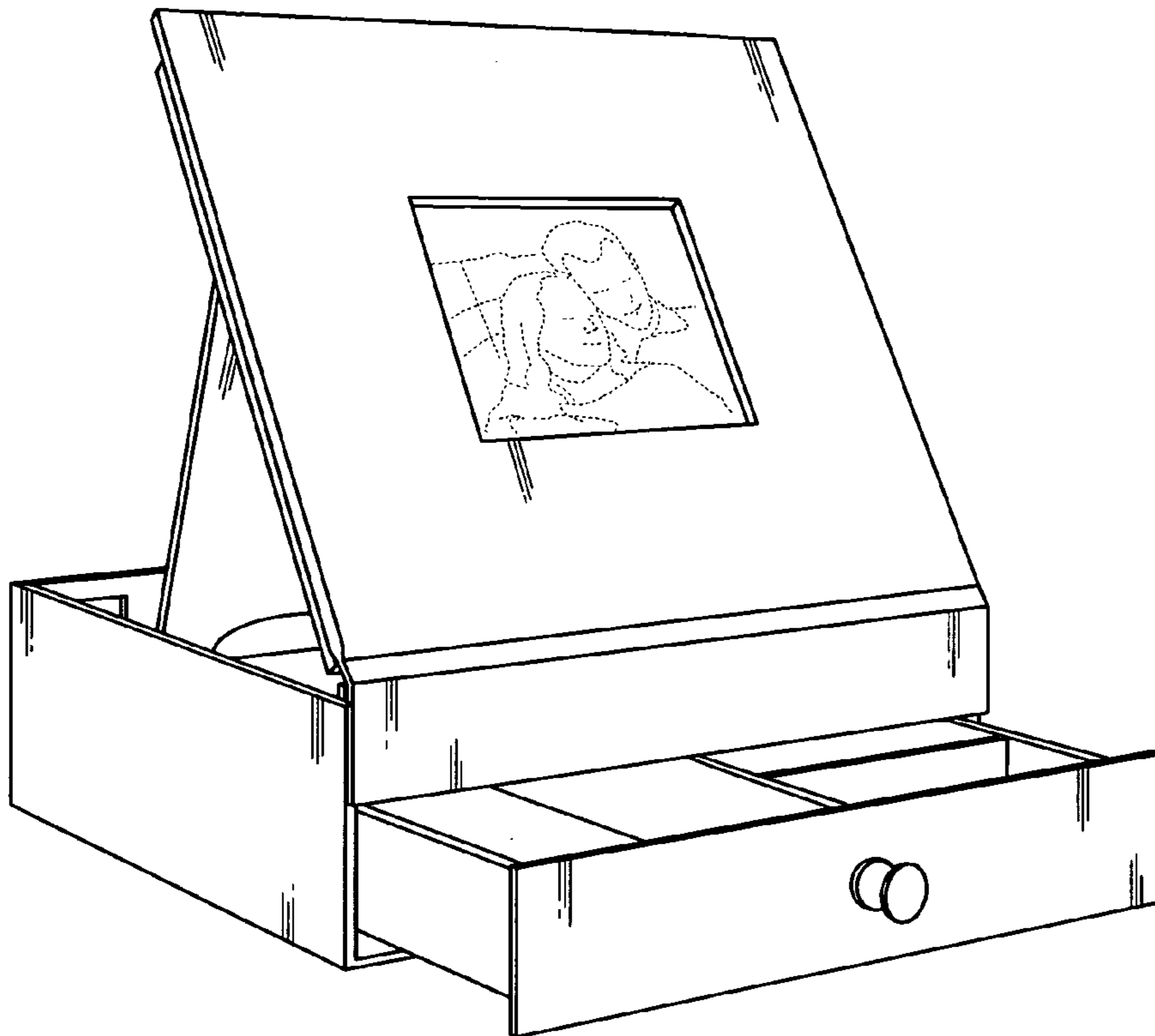
FIG. 7 is a left side view thereof with the top and front compartments in the open positions; and,

FIG. 8 is a right side view thereof with the top and front compartments in the open positions.

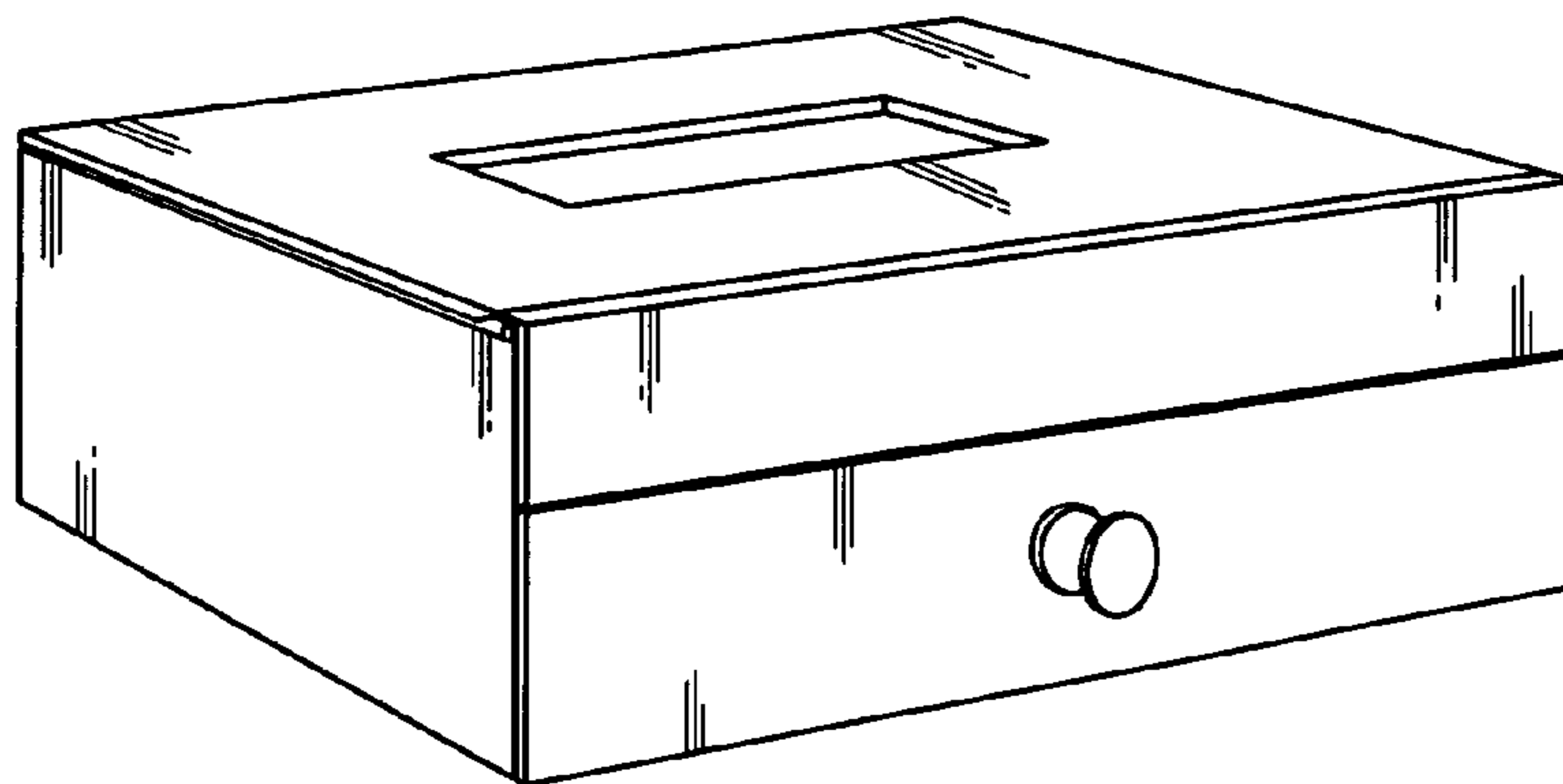
The broken lines showing the images in FIG. 1 are for illustrative purposes only and form no part of the claimed design.

**1 Claim, 4 Drawing Sheets**

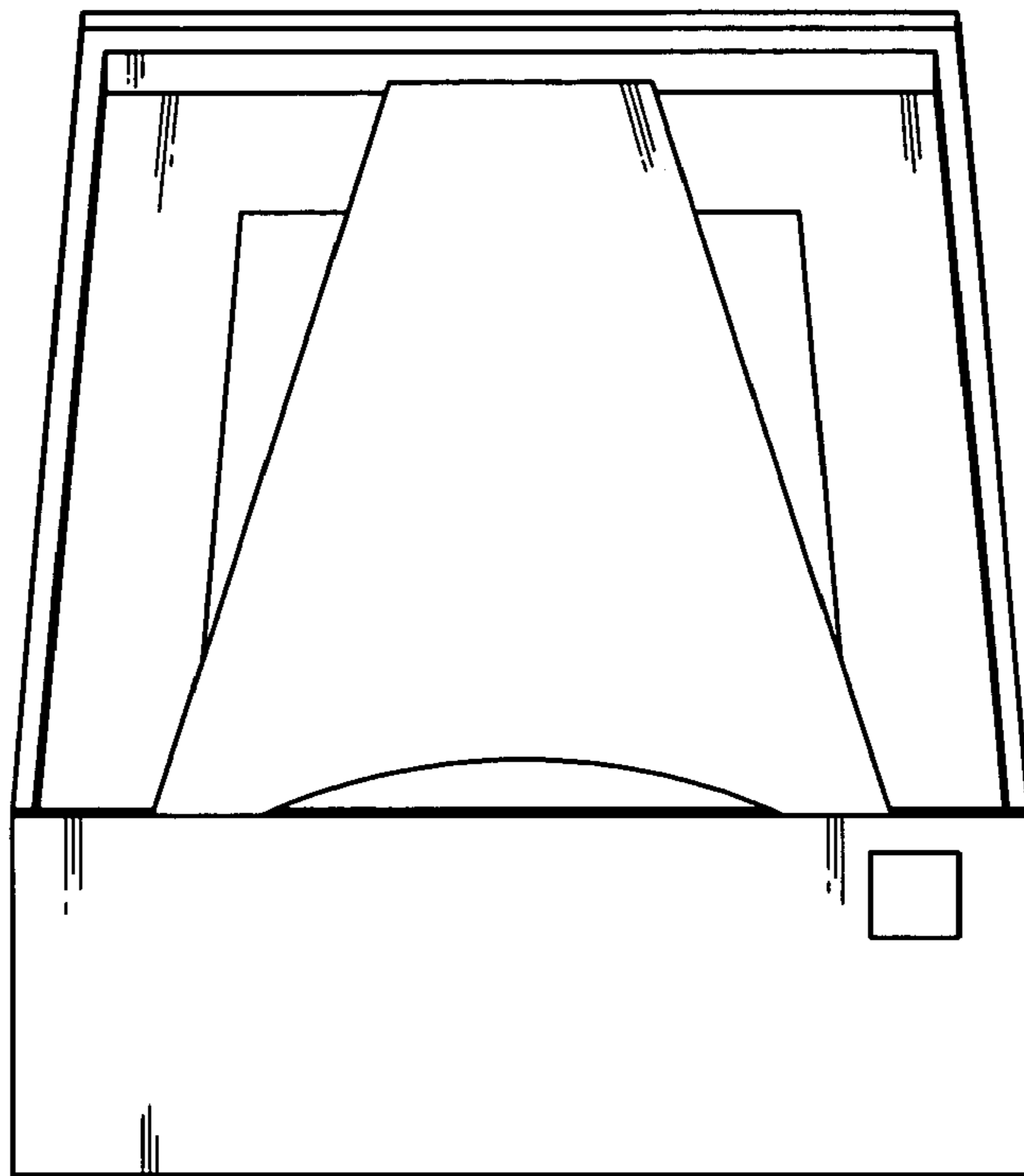




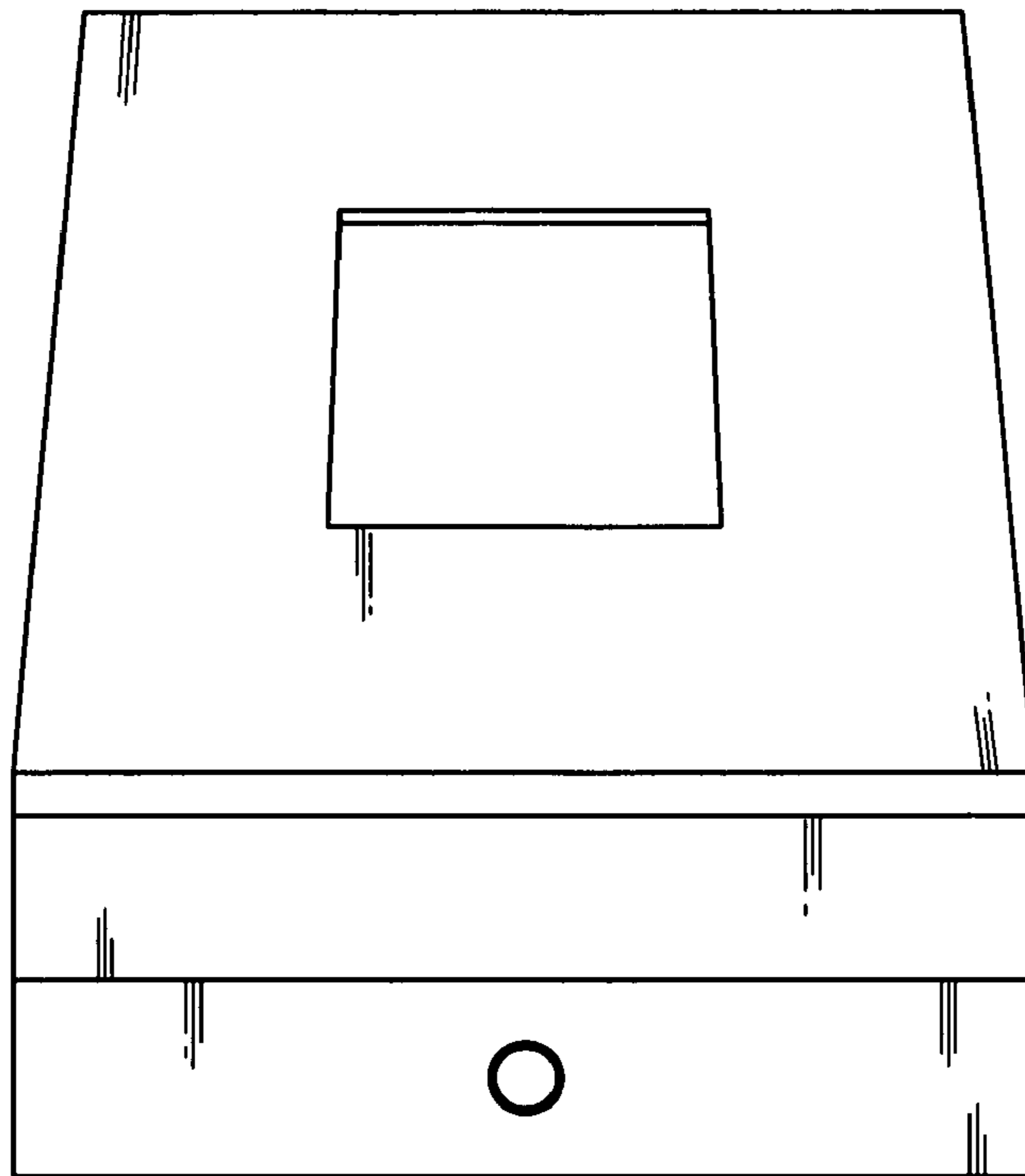
**FIG. 1**



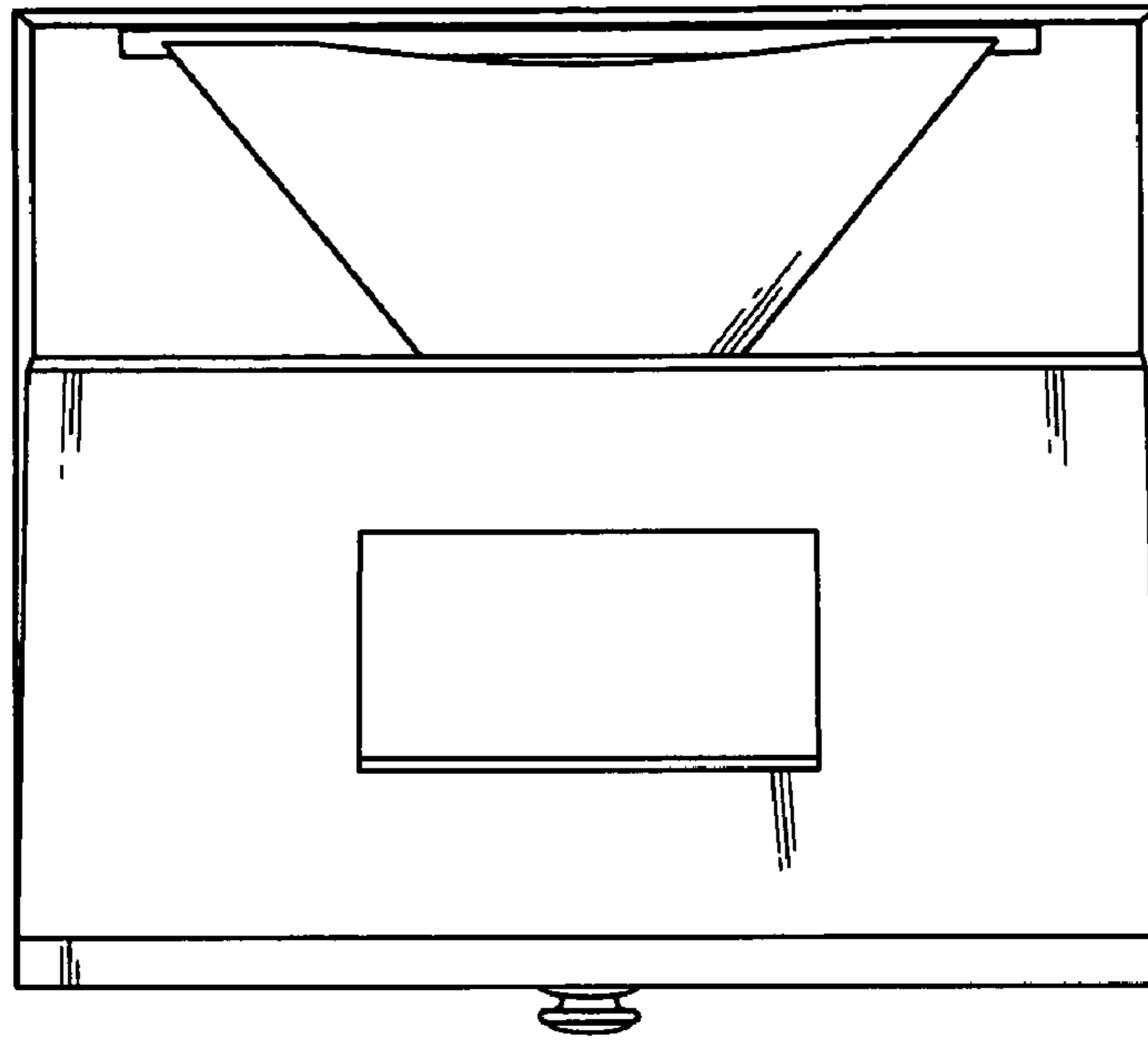
**FIG. 2**



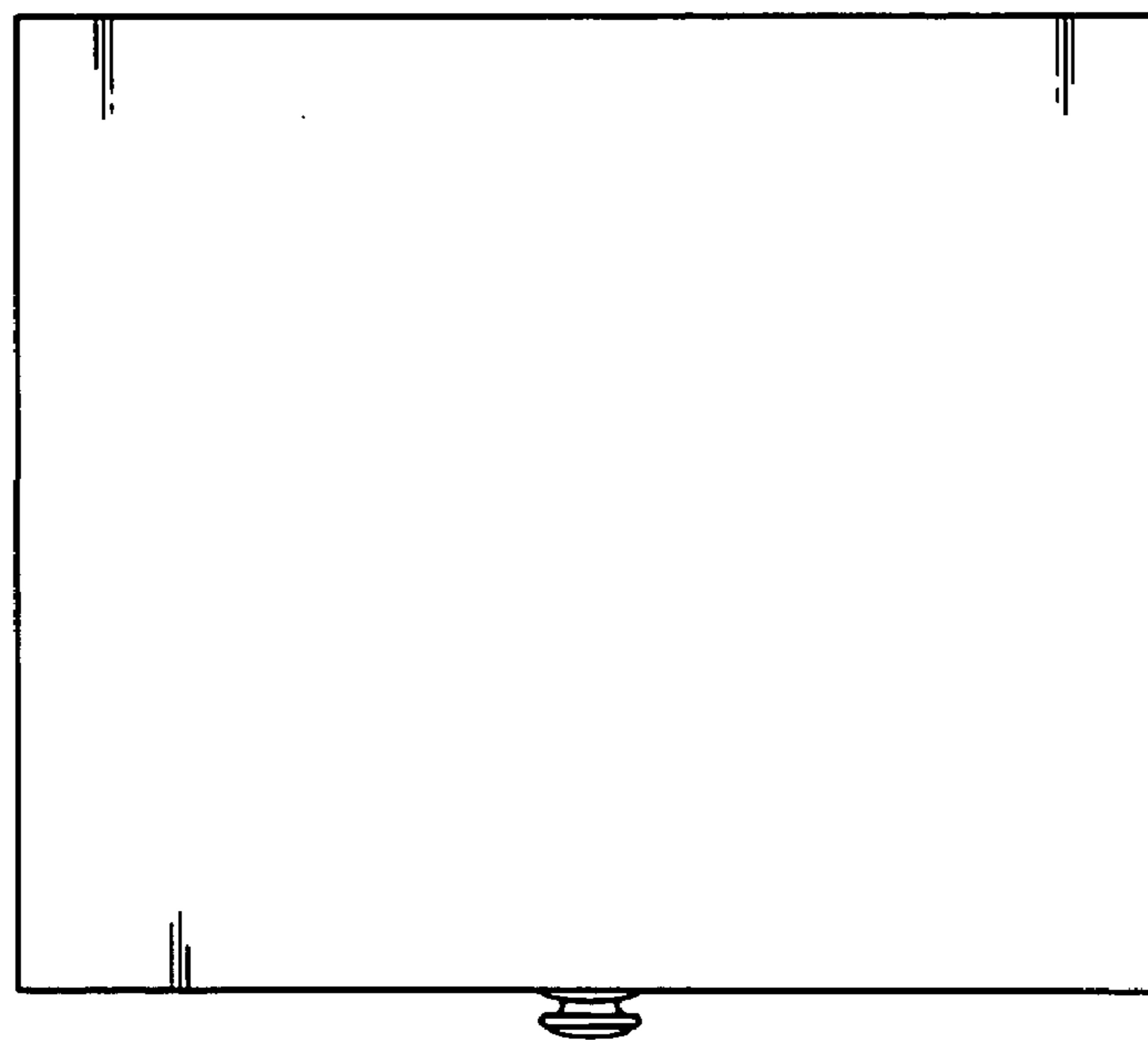
**FIG. 3**



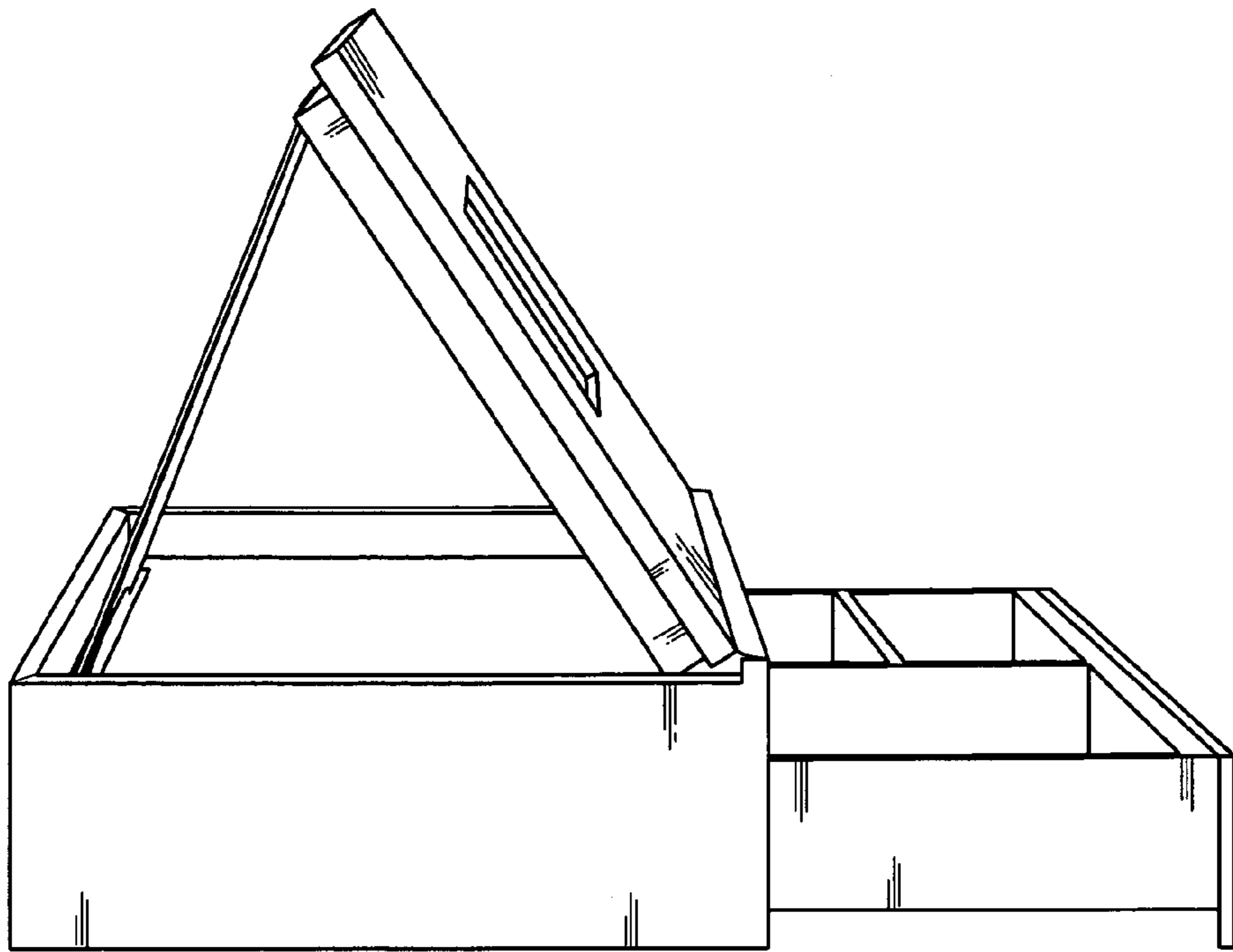
**FIG. 4**



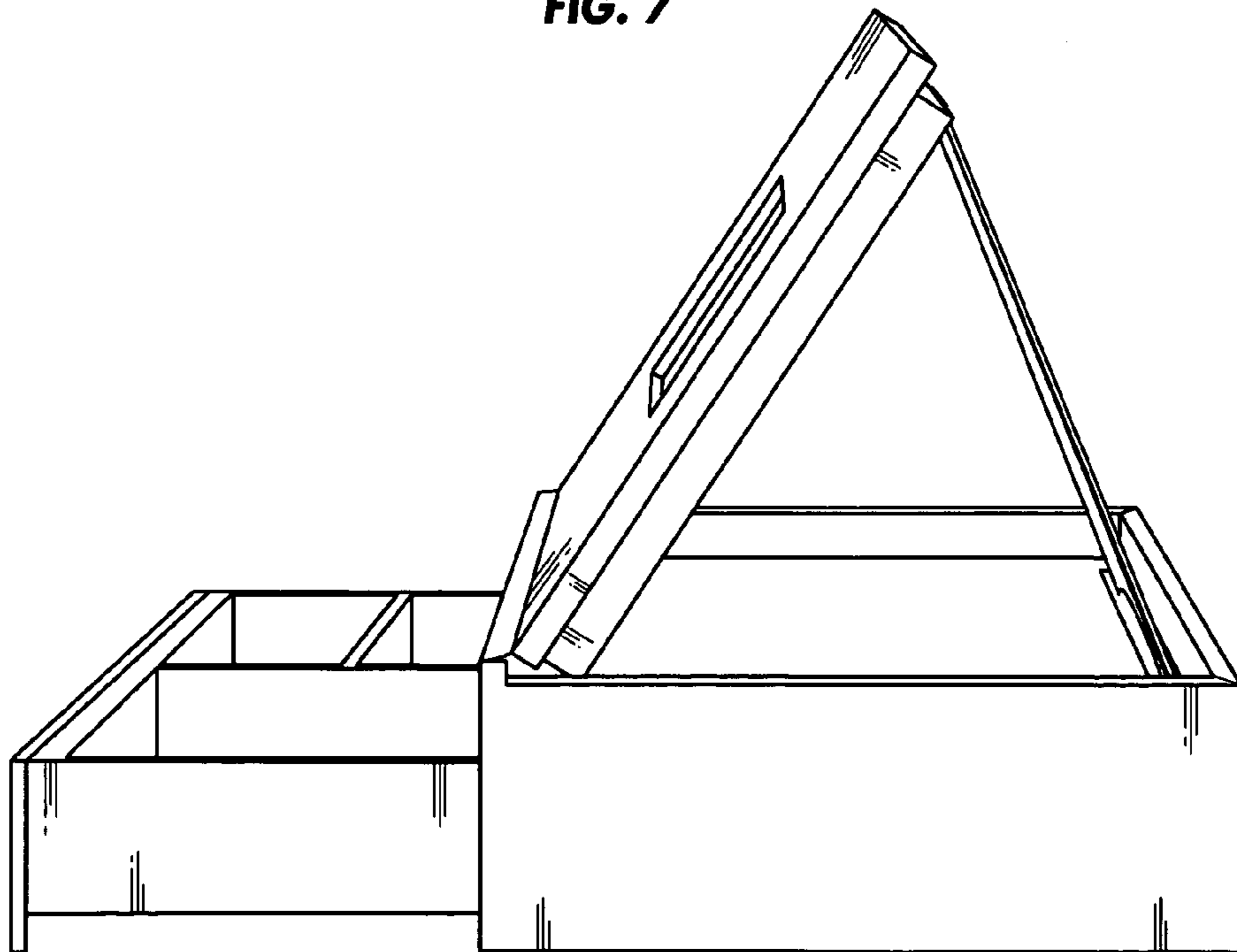
**FIG. 5**



**FIG. 6**



**FIG. 7**



**FIG. 8**