



US00D602261S

(12) **United States Design Patent**  
**Seckinger**

(10) **Patent No.:** **US D602,261 S**

(45) **Date of Patent:** **\*\* Oct. 20, 2009**

(54) **SHELL HOLDER**

(75) **Inventor:** **Edwin Seckinger**, N17 W30606  
Woodland Hill Dr., Delafield, WI (US)  
53018

(73) **Assignee:** **Edwin Seckinger**, Delafield, WI (US)

(\*\*) **Term:** **14 Years**

(21) **Appl. No.:** **29/331,715**

(22) **Filed:** **Jan. 30, 2009**

(51) **LOC (9) Cl.** ..... **06-07**

(52) **U.S. Cl.** ..... **D6/302**

(58) **Field of Classification Search** ..... D6/300-314;  
40/700, 768, 800, 735, 798, 725, 711, 743,  
40/538; D9/451, 418; D11/132, 131, 133;  
D19/75, 82, 84; 428/542.4, 11, 14; D20/37  
See application file for complete search history.

(56) **References Cited**

**U.S. PATENT DOCUMENTS**

D260,503 S \* 9/1981 Stangarone ..... D11/132  
D320,364 S \* 10/1991 Hernandez ..... D11/131  
D330,525 S \* 10/1992 Grindley, Jr. .... D11/132

D357,643 S \* 4/1995 Ilaria et al. .... D11/132  
D359,928 S \* 7/1995 Ilaria et al. .... D11/132  
D381,211 S \* 7/1997 Aries et al. .... D6/300  
D384,304 S \* 9/1997 Sheldon ..... D11/132  
D587,018 S \* 2/2009 Seckinger ..... D6/302  
D587,019 S \* 2/2009 Seckinger ..... D6/302

\* cited by examiner

*Primary Examiner*—Sydney R Buffalow

(74) *Attorney, Agent, or Firm*—Michael Best & Friedrich  
LLP

(57) **CLAIM**

The ornamental design for a shell holder, as shown and described.

**DESCRIPTION**

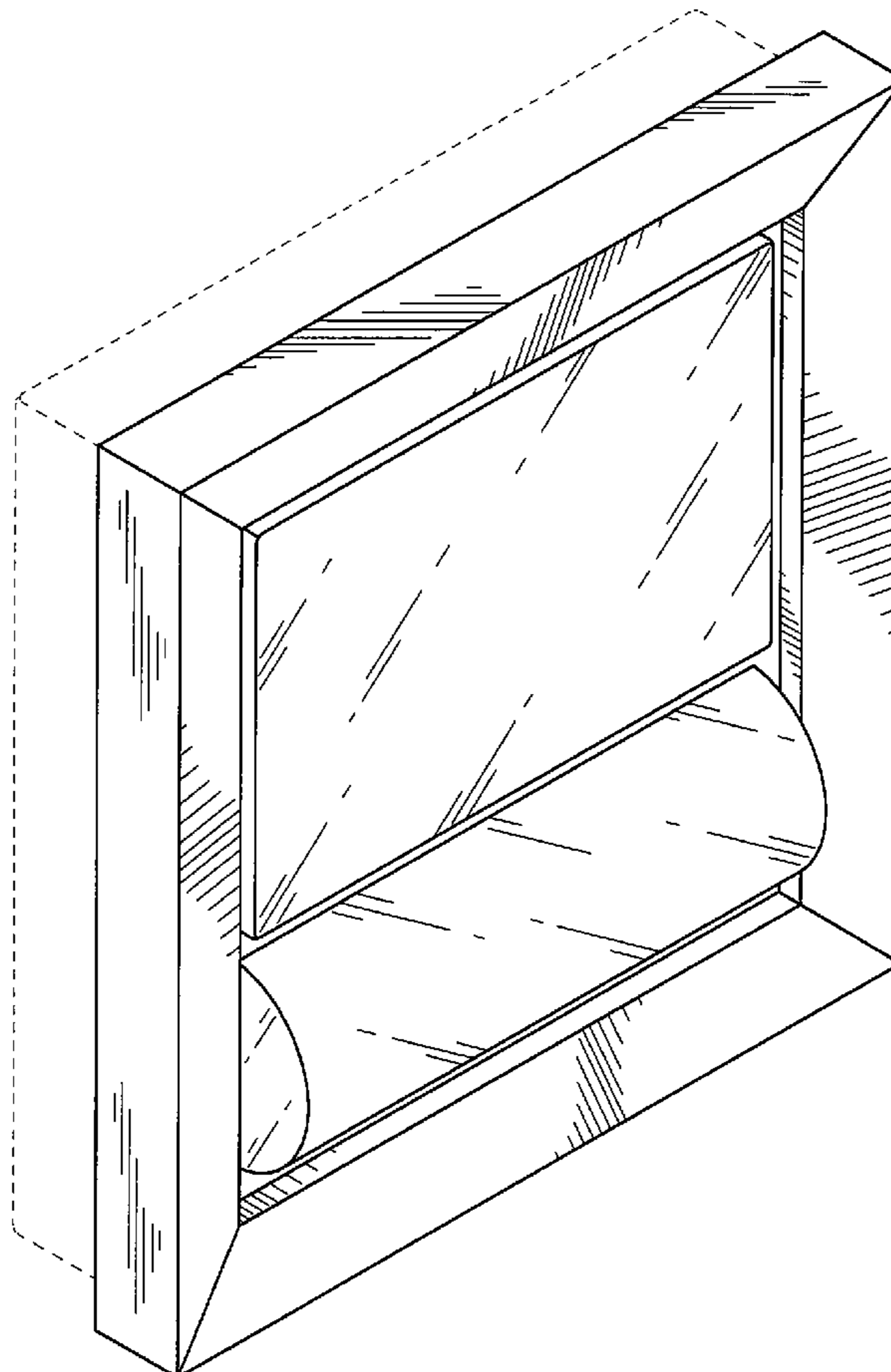
FIG. 1 is a perspective view of a shell holder embodying the invention;

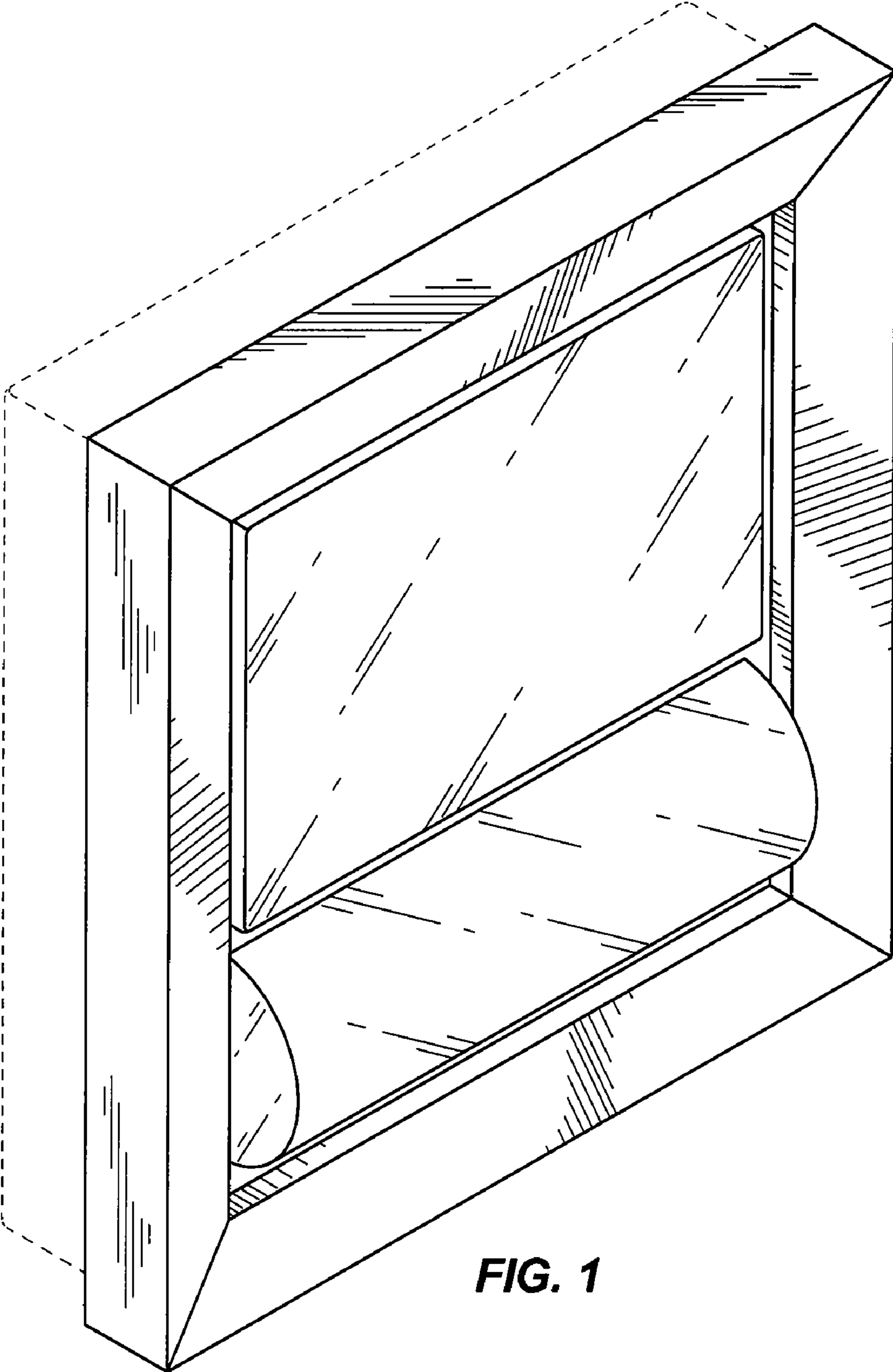
FIG. 2 is a front view of the shell holder of FIG. 1; and,

FIG. 3 is a right side view of the shell holder of FIG. 1.

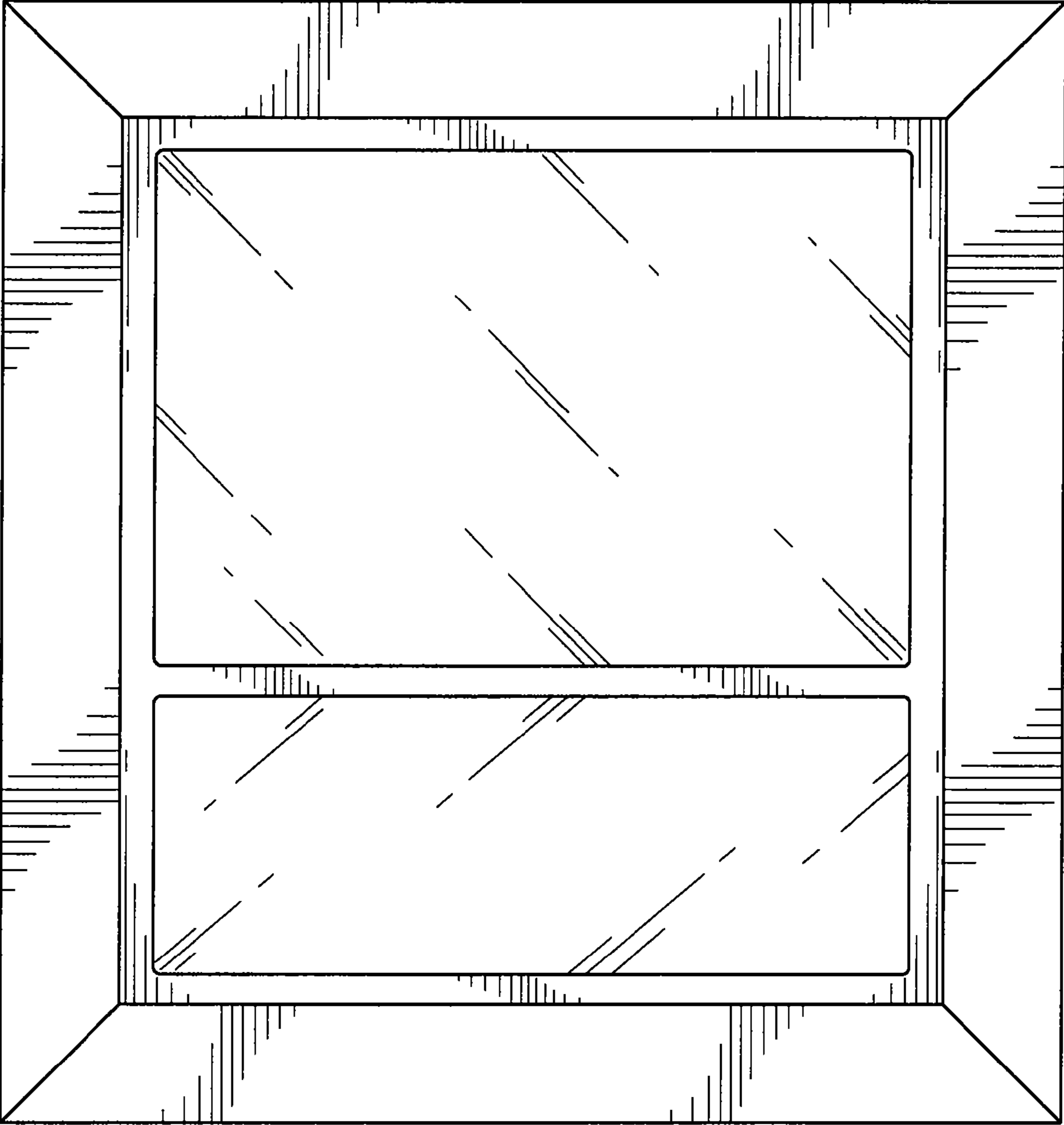
The broken lines showing the environment is for illustrative purposes only and forms no part of the claimed design.

**1 Claim, 3 Drawing Sheets**

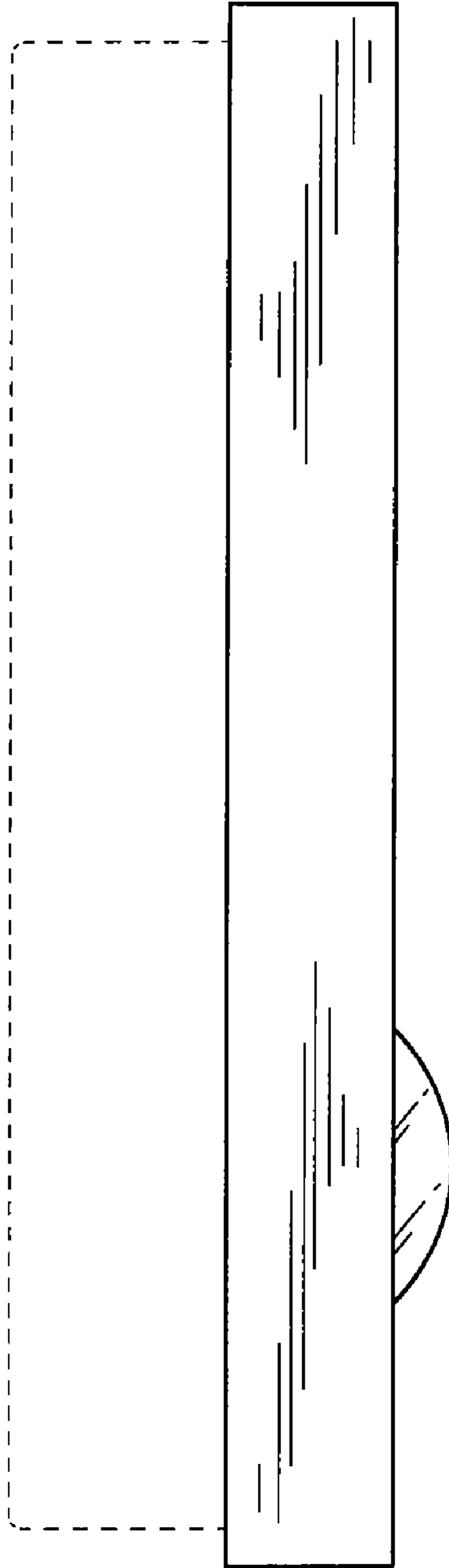




**FIG. 1**



**FIG. 2**



**FIG. 3**