



US00D602259S

(12) **United States Design Patent**  
**Finnegan**

(10) **Patent No.:** **US D602,259 S**

(45) **Date of Patent:** **\*\* Oct. 20, 2009**

(54) **DIGITAL FRAME HOUSING**

(75) Inventor: **Dean Finnegan**, Dublin, CA (US)

(73) Assignee: **Sourcing Network Sales LLC**,  
Lafayette, CA (US)

(\*\*) Term: **14 Years**

(21) Appl. No.: **29/299,353**

(22) Filed: **Dec. 21, 2007**

(51) **LOC (9) Cl.** ..... **06-07**

(52) **U.S. Cl.** ..... **D6/300; D14/371; D6/308**

(58) **Field of Classification Search** ..... D6/300-314;  
40/700, 768, 717, 714, 721, 735; D14/371,  
D14/372, 448, 449, 450, 374, 381, 382, 336,  
D14/337, 250, 146, 341, 496, 331; D20/10;  
D10/24, 75, 2

See application file for complete search history.

(56) **References Cited**

**U.S. PATENT DOCUMENTS**

D393,008 S *	3/1998	Hiraguchi et al.	.....	D20/42
D395,454 S *	6/1998	Hayashi	.....	D20/10
D474,037 S *	5/2003	Shih	.....	D6/308
D560,371 S *	1/2008	Liu et al.	.....	D6/308
D570,610 S *	6/2008	Chuang	.....	D6/300
D571,560 S *	6/2008	Liu et al.	.....	D6/300
D572,025 S *	7/2008	Kwon	.....	D6/308

\* cited by examiner

*Primary Examiner*—Caron Veynar

*Assistant Examiner*—Sydney R Buffalow

(74) *Attorney, Agent, or Firm*—Vierra Magen Marcus & DeNiro LLP

(57) **CLAIM**

The ornamental design for a digital frame housing, as shown and described.

**DESCRIPTION**

FIG. 1 is a front, first perspective view of the digital frame housing.

FIG. 2 is a front plan view of the digital frame housing.

FIG. 3 is a second front, top perspective view of the digital frame housing.

FIG. 4 is a rear, top perspective view of the digital frame housing.

FIG. 5 is a front, bottom perspective view of the digital frame housing.

FIG. 6 is a rear, bottom perspective view of the digital frame housing.

FIG. 7 is a bottom view of the digital frame housing.

FIG. 8 is a top view of the digital frame housing.

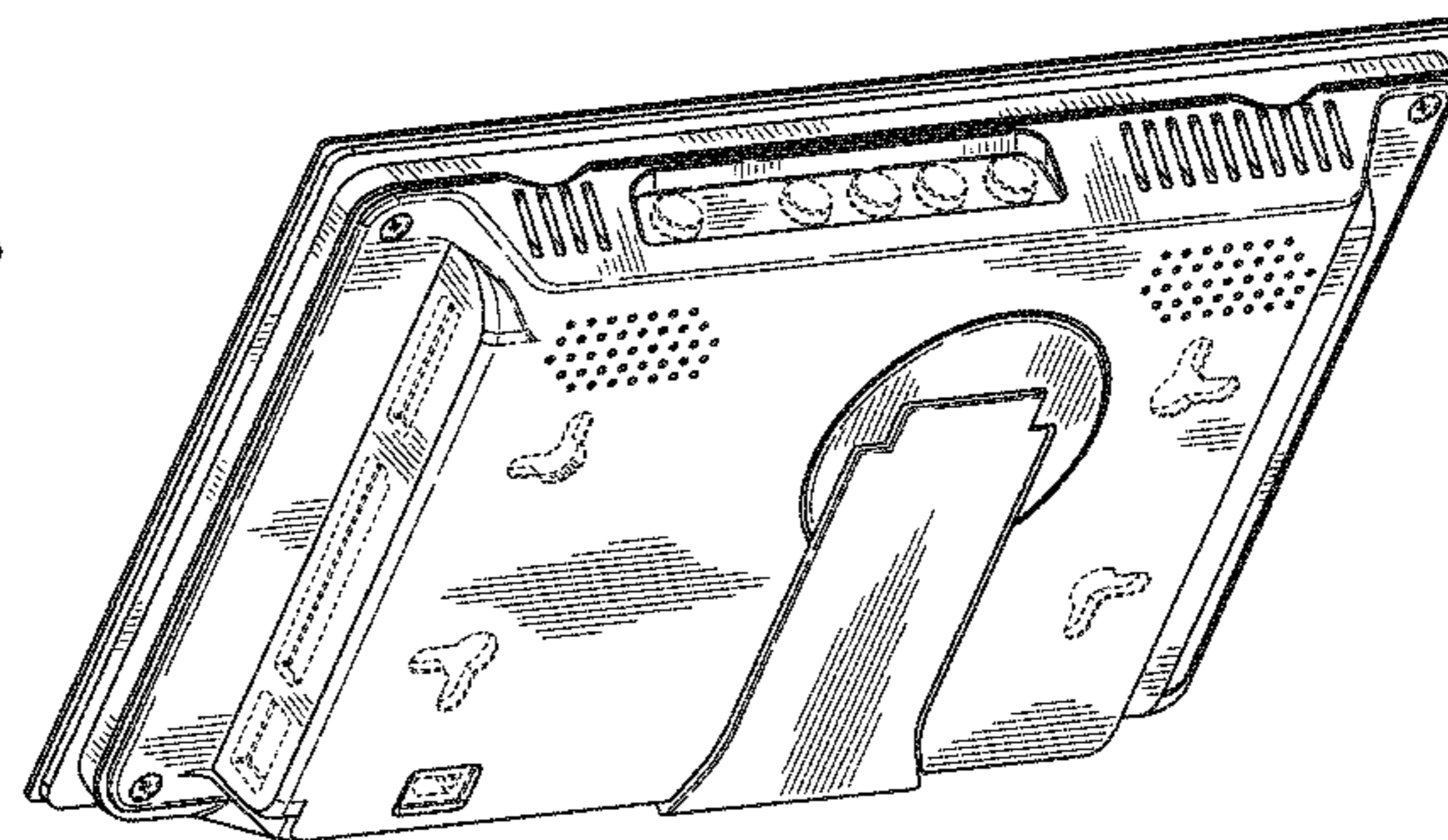
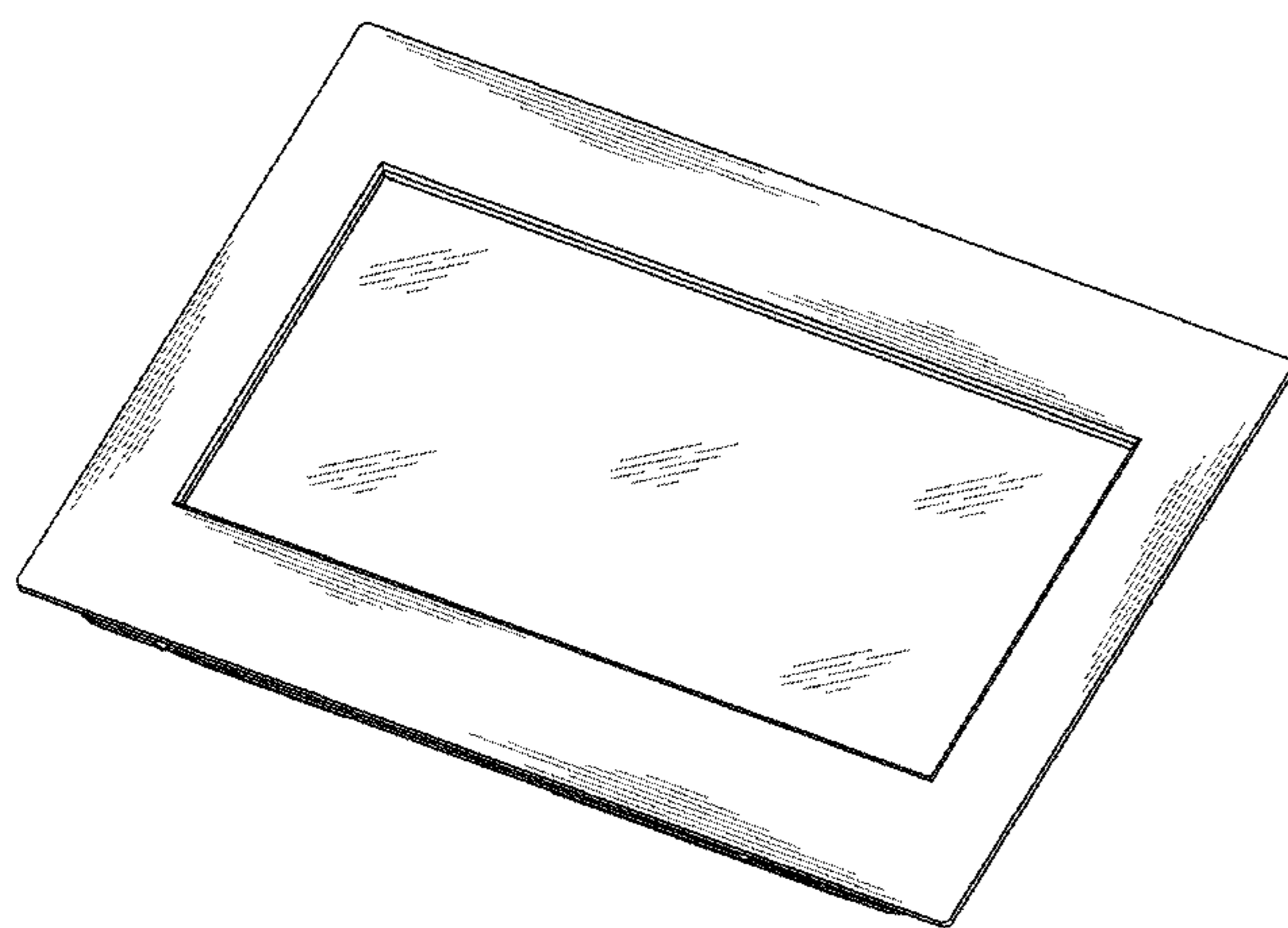
FIG. 9 is a first side view of the digital frame housing.

FIG. 10 is a second side view of the digital frame housing; and,

FIG. 11 is a back, plan view of the digital frame housing.

Protection is sought for the shape and configuration of the digital frame housing as shown in FIGS. 1-11.

**1 Claim, 9 Drawing Sheets**



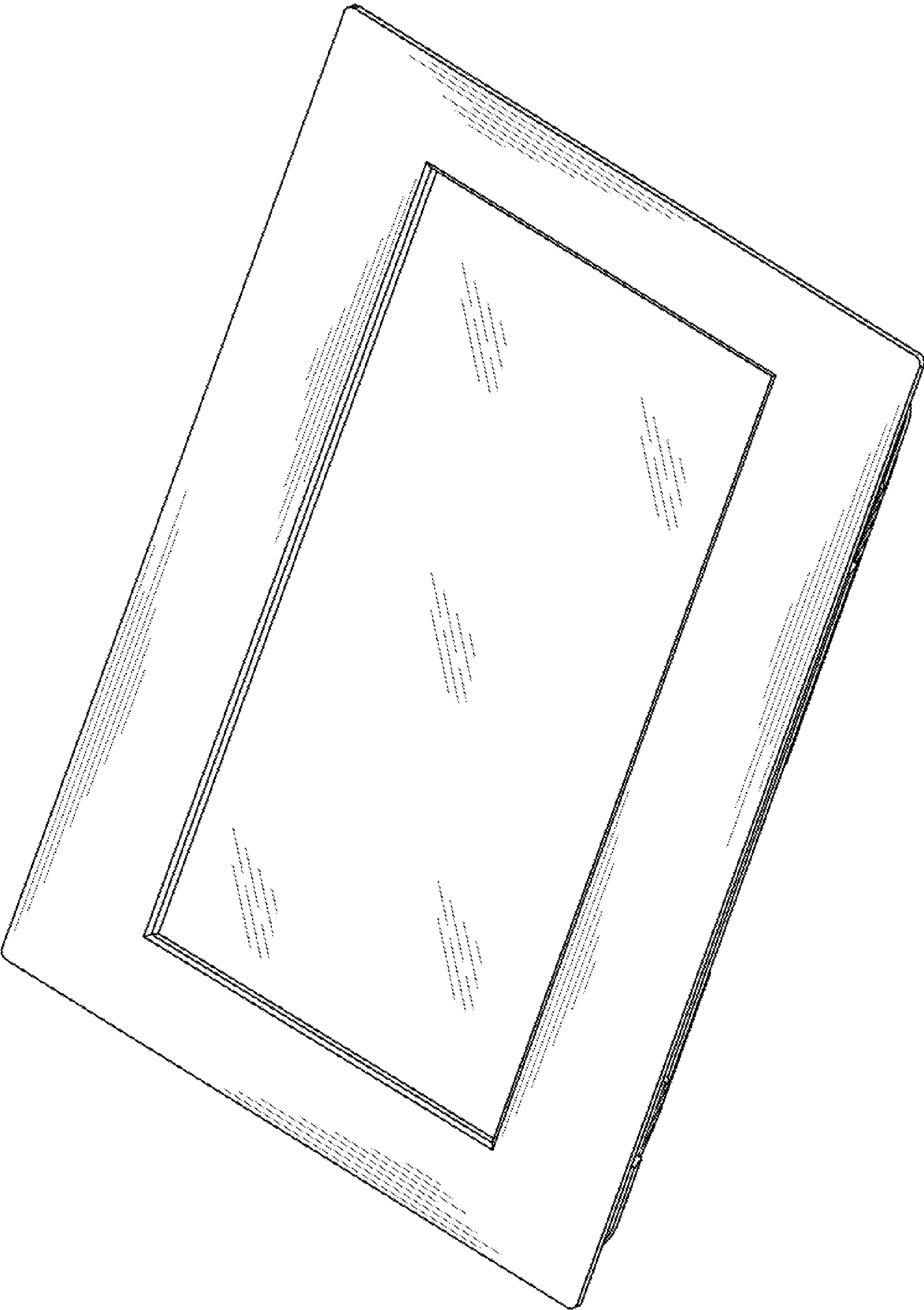


FIG. 1

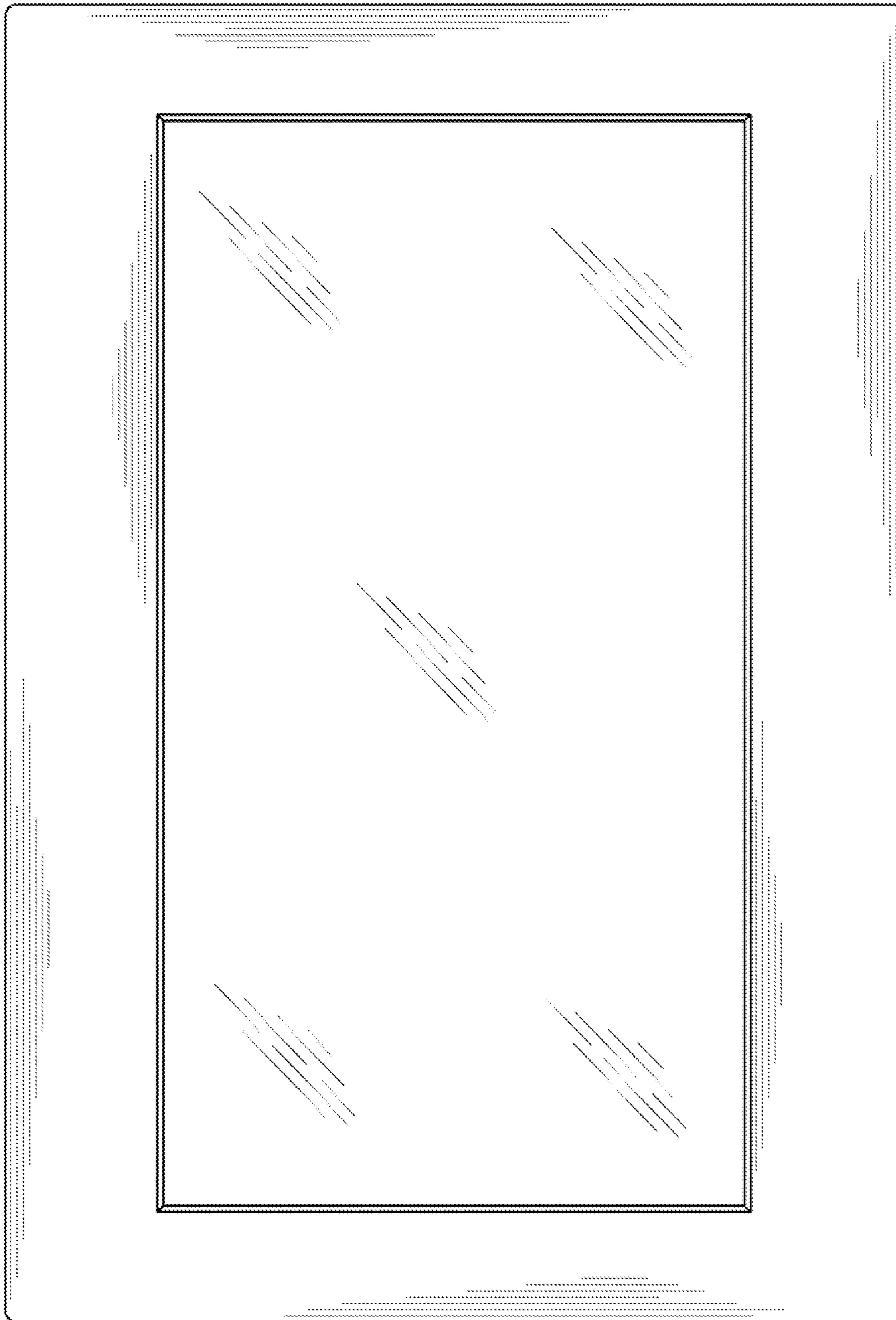


FIG. 2

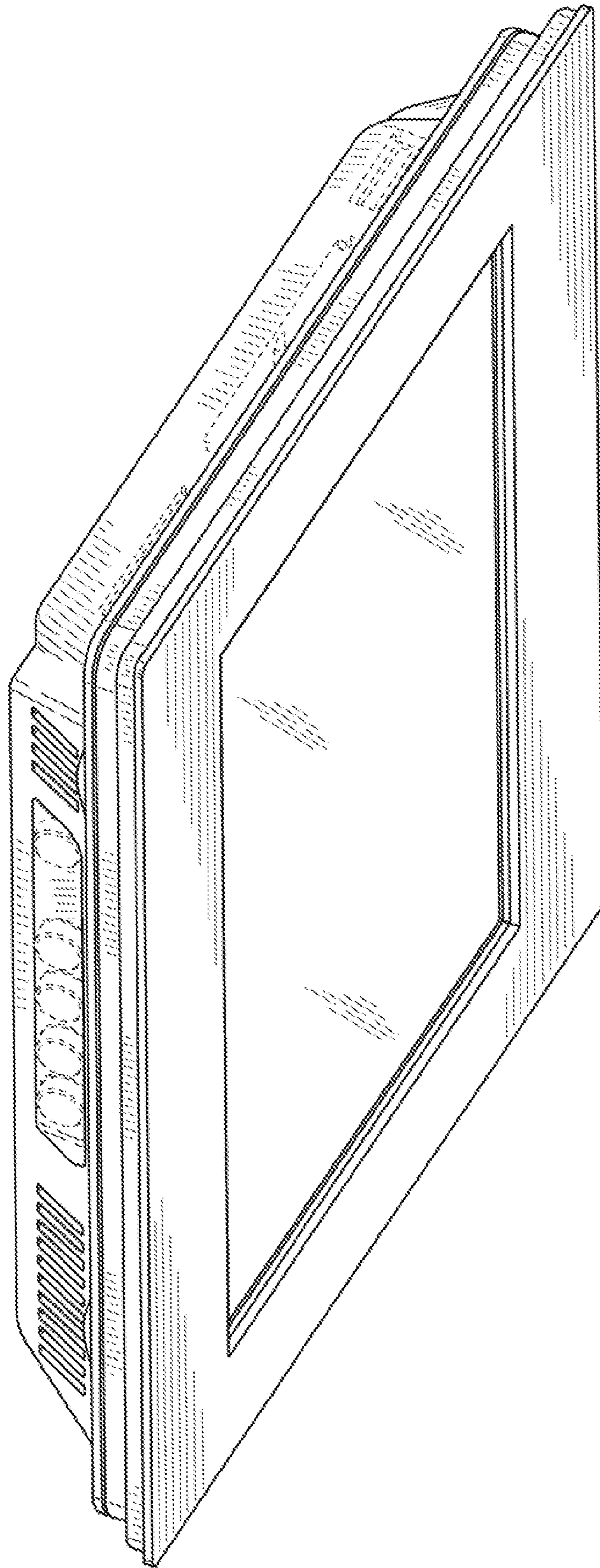


FIG. 3

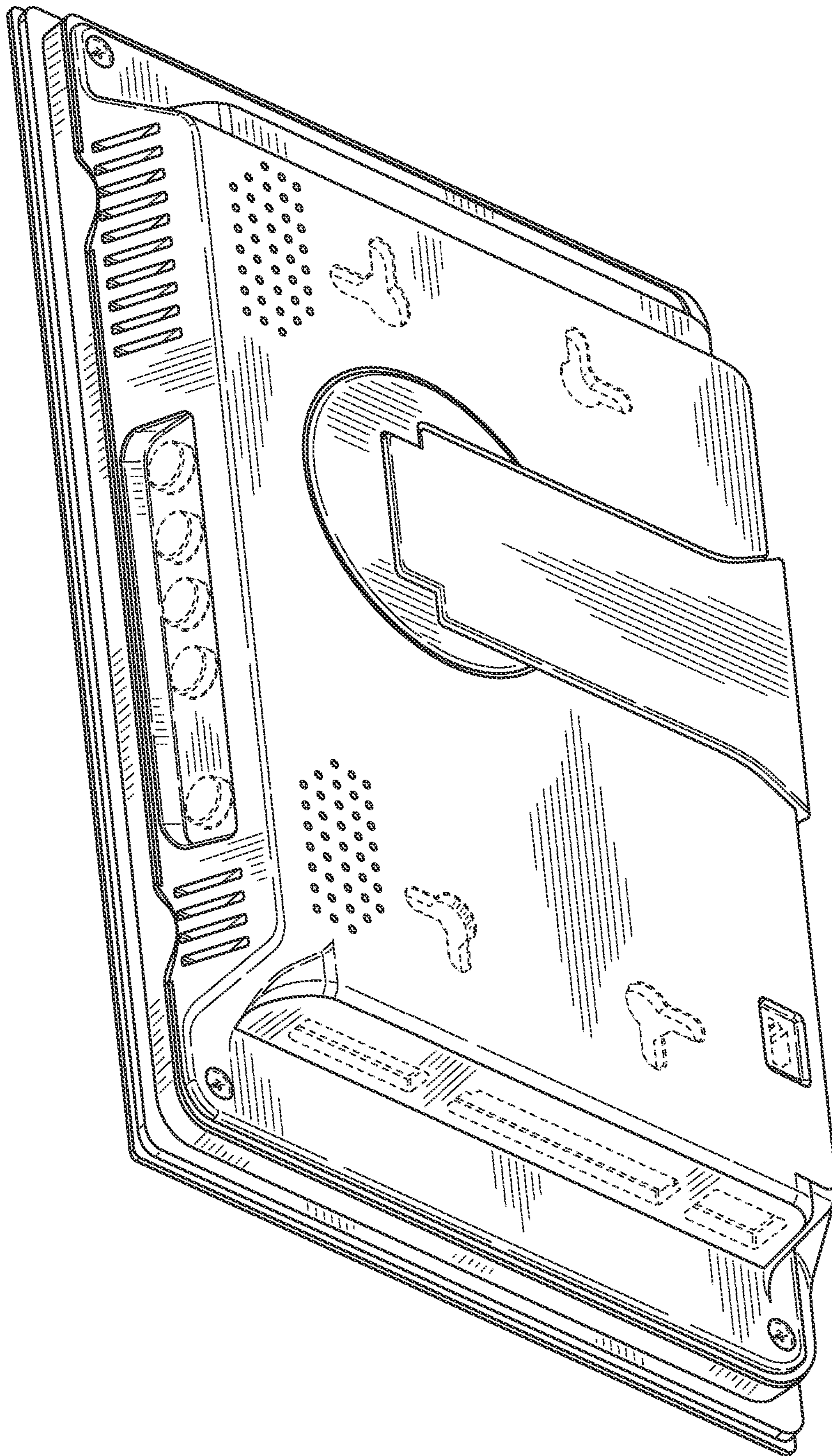


FIG. 4

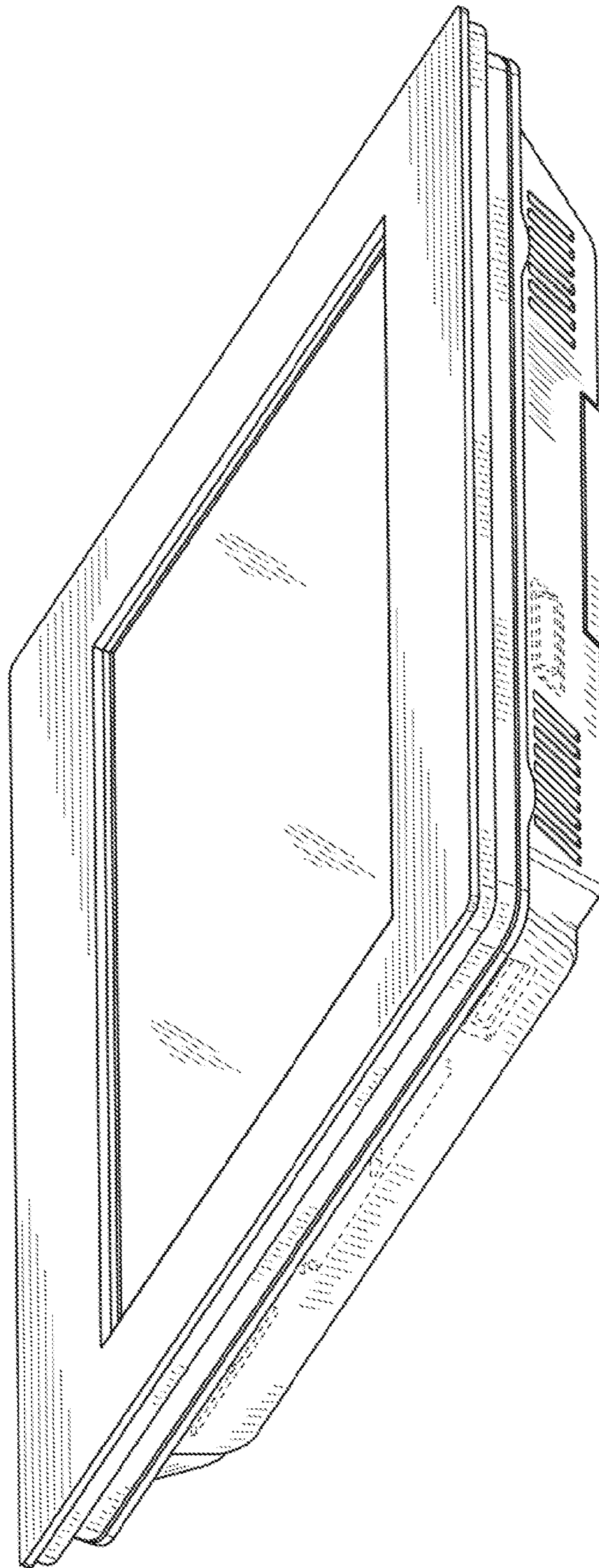


FIG. 5

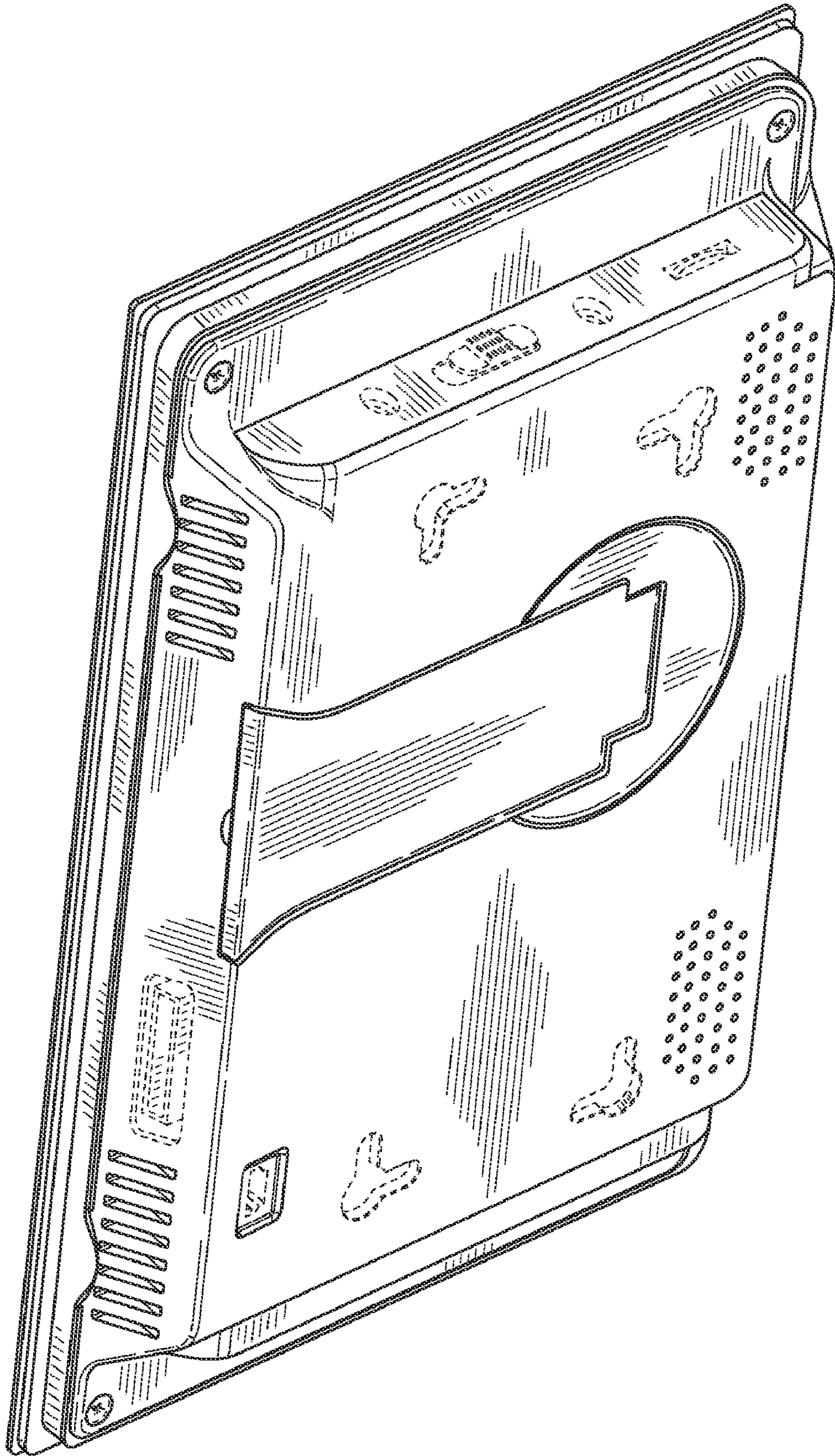


FIG. 6

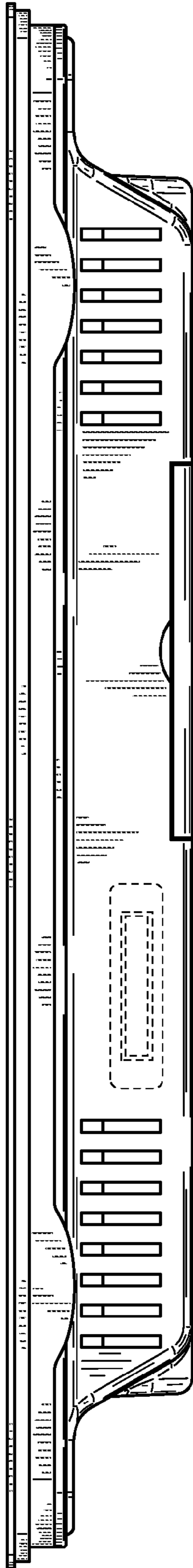


FIG. 7

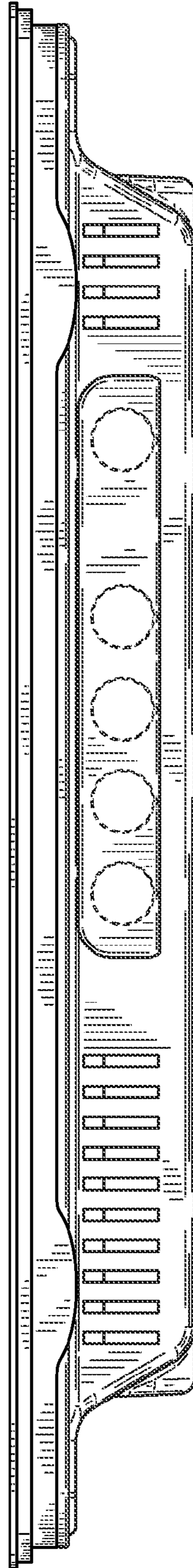


FIG. 8



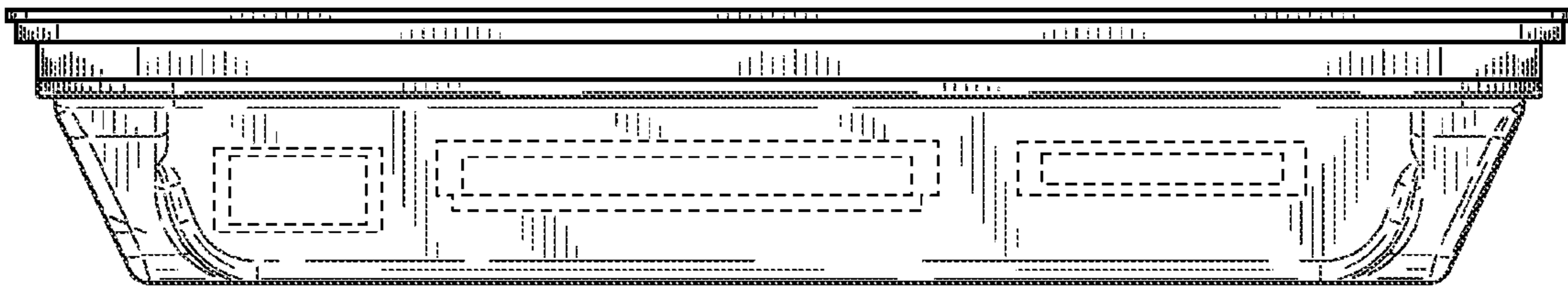


FIG. 9

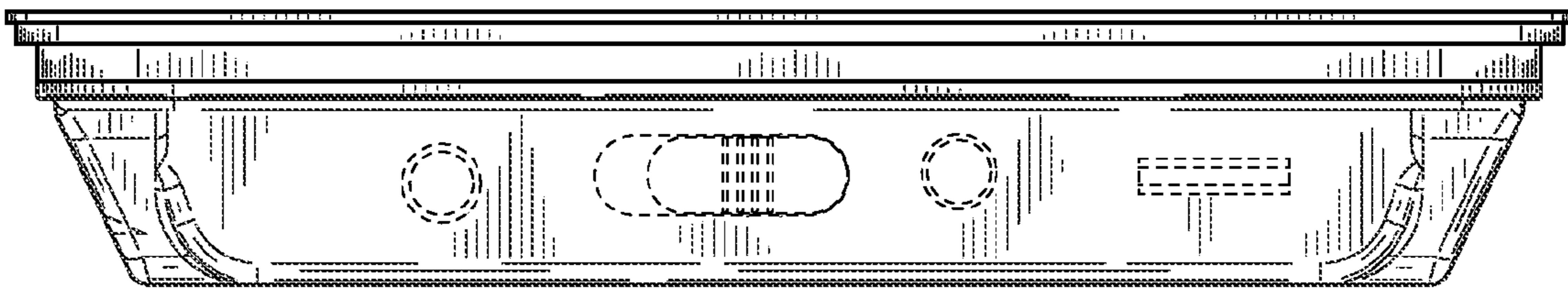


FIG. 10

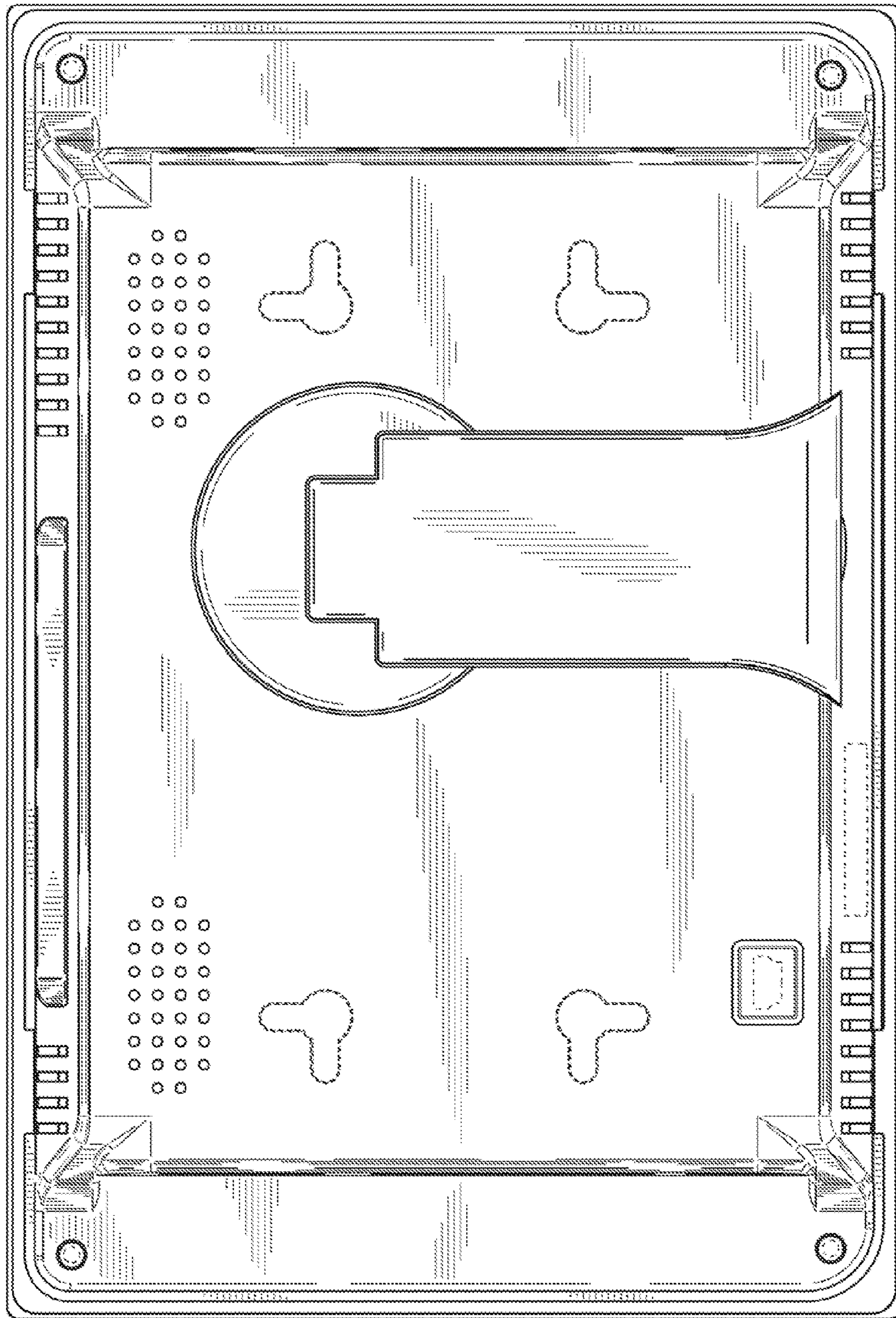


FIG. 11