



US00D602256S

(12) **United States Design Patent**  
**Johnson**

(10) **Patent No.:** **US D602,256 S**

(45) **Date of Patent:** **\*\* Oct. 20, 2009**

(54) **TOOL TRAY**

D510,481 S \* 10/2005 Hodgson ..... D3/304  
D585,647 S \* 2/2009 Whiteside et al. .... D3/310

(76) Inventor: **William L. Johnson**, P.O. Box 13970,  
Alexandria, LA (US) 71315

\* cited by examiner

(\*\*) Term: **14 Years**

*Primary Examiner*—T. Chase Nelson

*Assistant Examiner*—Kathleen M Sims

(21) Appl. No.: **29/310,098**

(74) *Attorney, Agent, or Firm*—Heisler & Associates

(22) Filed: **Jul. 24, 2008**

(57) **CLAIM**

(51) **LOC (9) Cl.** ..... **03-01**

The ornamental design for a tool tray, as shown and described.

(52) **U.S. Cl.** ..... **D3/304**

(58) **Field of Classification Search** ..... D3/201,  
D3/304–305, 308–309, 313, 315; D8/71;  
206/373, 503, 557, 561–562, 564; 108/44,  
108/152; 248/309.1

**DESCRIPTION**

See application file for complete search history.

FIG. 1 is a perspective view of the tool tray.

FIG. 2 is a left side view of the invention.

FIG. 3 is a top plan view of the invention.

FIG. 4 is a front elevation view of the invention.

FIG. 5 is a right side view of the invention.

FIG. 6 is a rear elevation view of the invention.

FIG. 7 is a bottom plan view of the invention.

FIG. 8 is a perspective view of the invention in use with the tray closed; and,

FIG. 9 is a perspective view of the invention in use with the tray open.

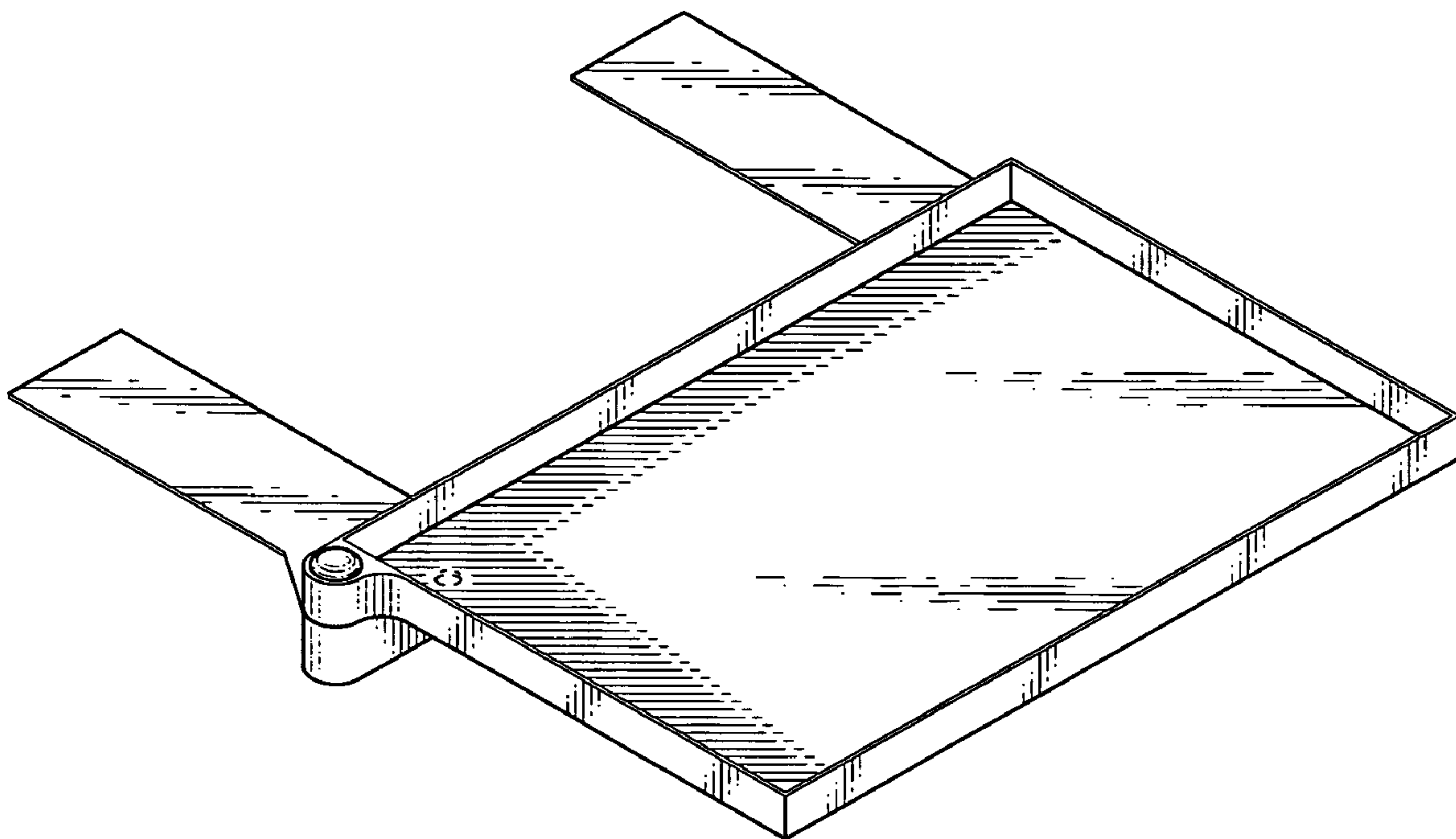
The broken lines in FIGS. 1, 3 and 7–9 are for purposes of illustration only and form no part of the claimed design.

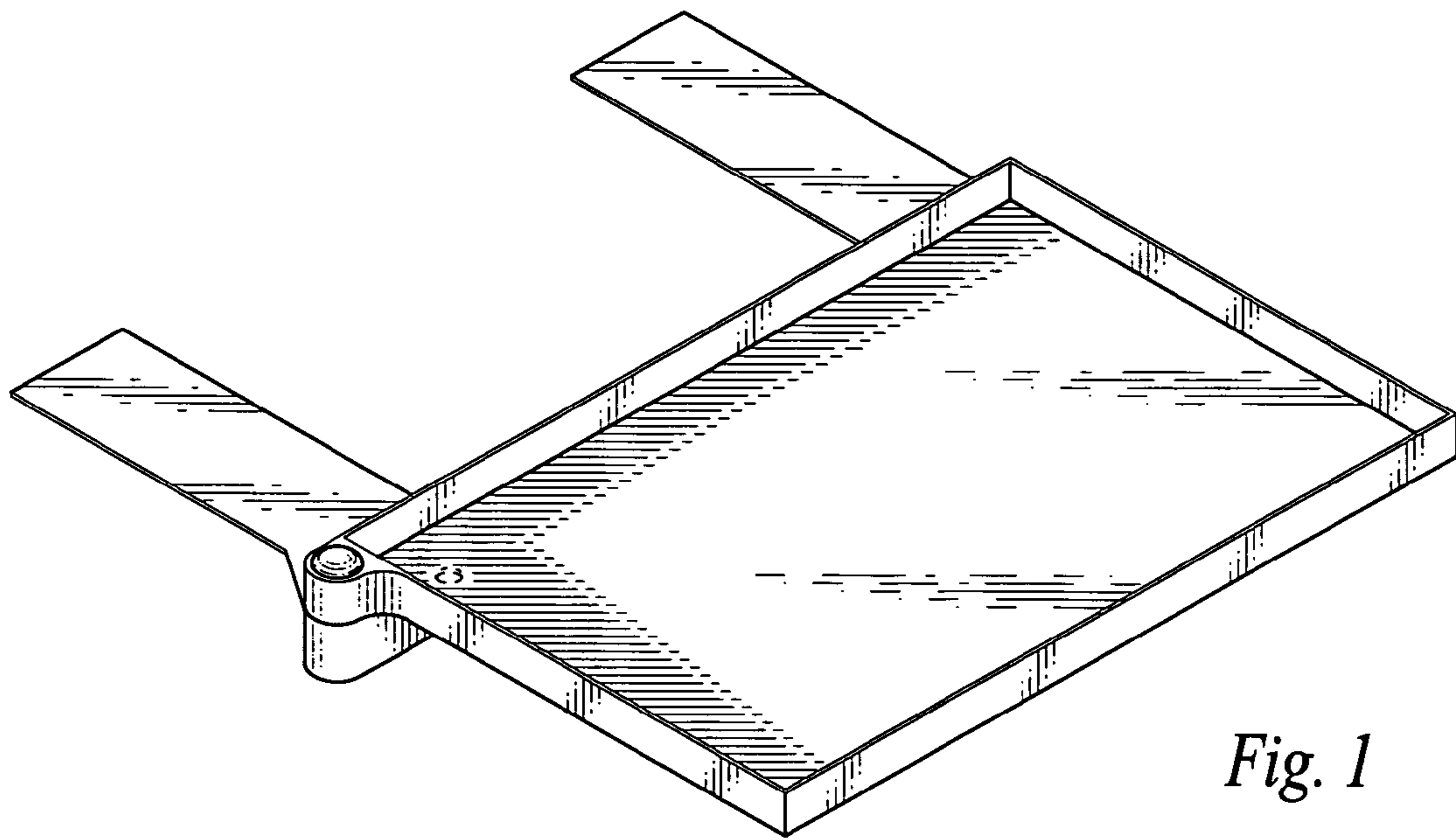
(56) **References Cited**

U.S. PATENT DOCUMENTS

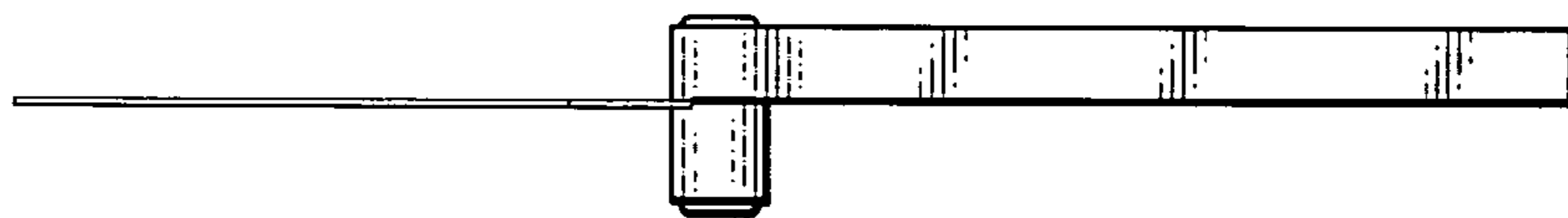
D177,324	S	*	4/1956	Hartman	.....	D6/511
D184,075	S	*	12/1958	Tupper	.....	D7/553.2
4,524,701	A	*	6/1985	Chappell	.....	108/44
D283,657	S	*	5/1986	Chaplin et al.	.....	D6/511
4,949,925	A	*	8/1990	Gorecki	.....	248/238
5,078,281	A	*	1/1992	Johnson	.....	211/88.01
D338,685	S	*	8/1993	Dakich	.....	D19/92
5,699,910	A	*	12/1997	Kubat	.....	206/373
6,041,717	A	*	3/2000	Kubat	.....	108/44
6,237,799	B1	*	5/2001	Emerson	.....	220/480
6,910,429	B1	*	6/2005	Matay et al.	.....	108/44

**1 Claim, 3 Drawing Sheets**

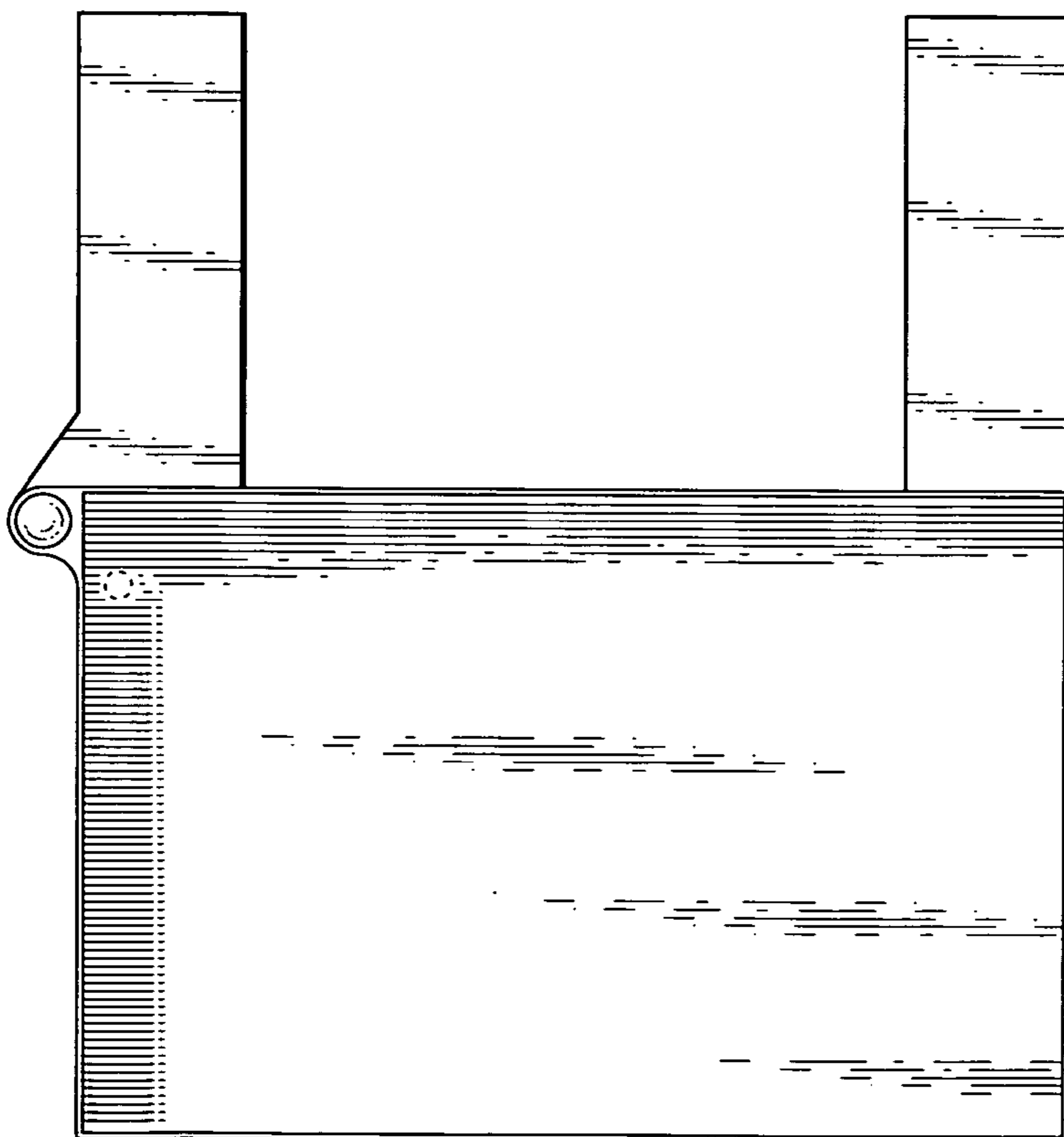




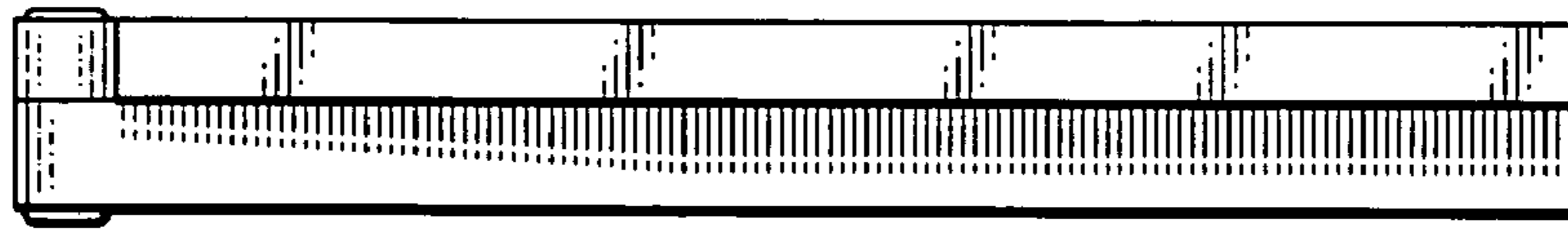
*Fig. 1*



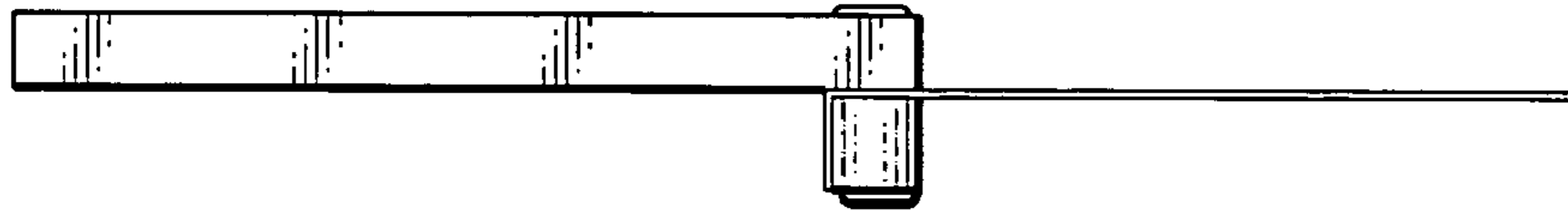
*Fig. 2*



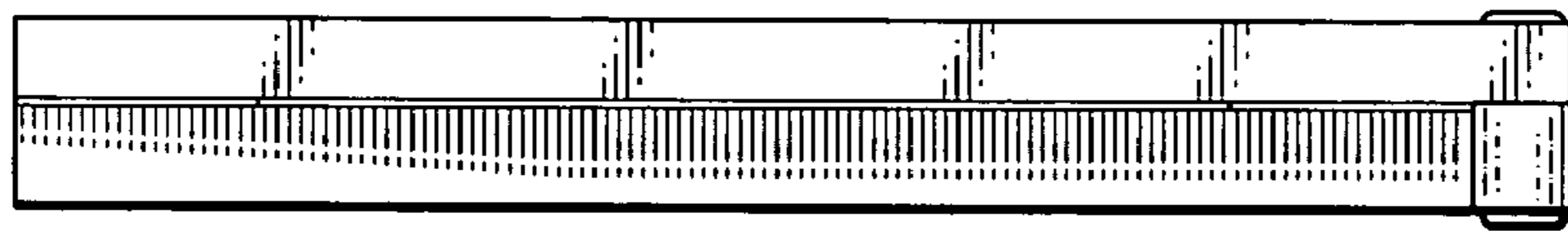
*Fig. 3*



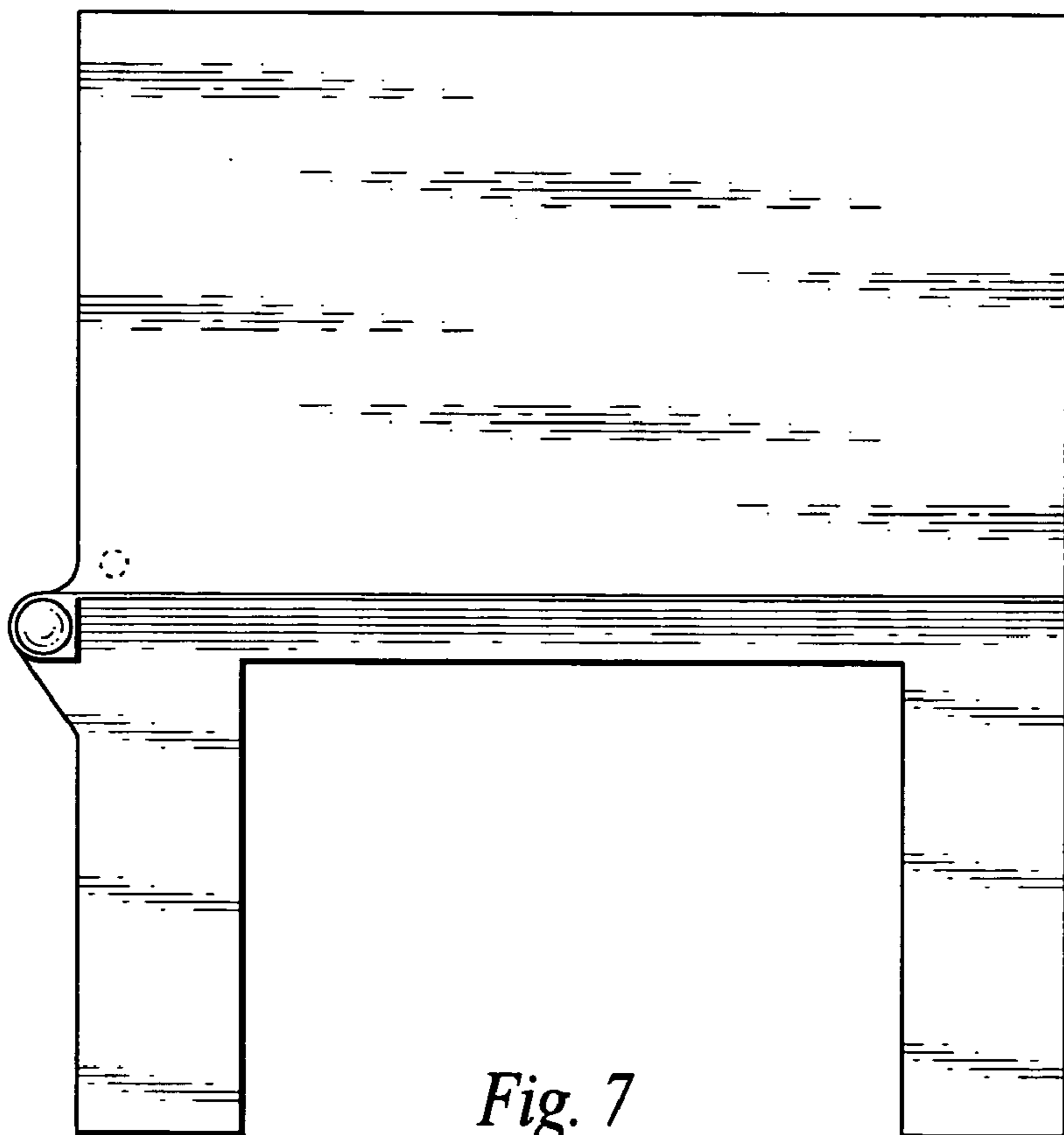
*Fig. 4*



*Fig. 5*



*Fig. 6*



*Fig. 7*

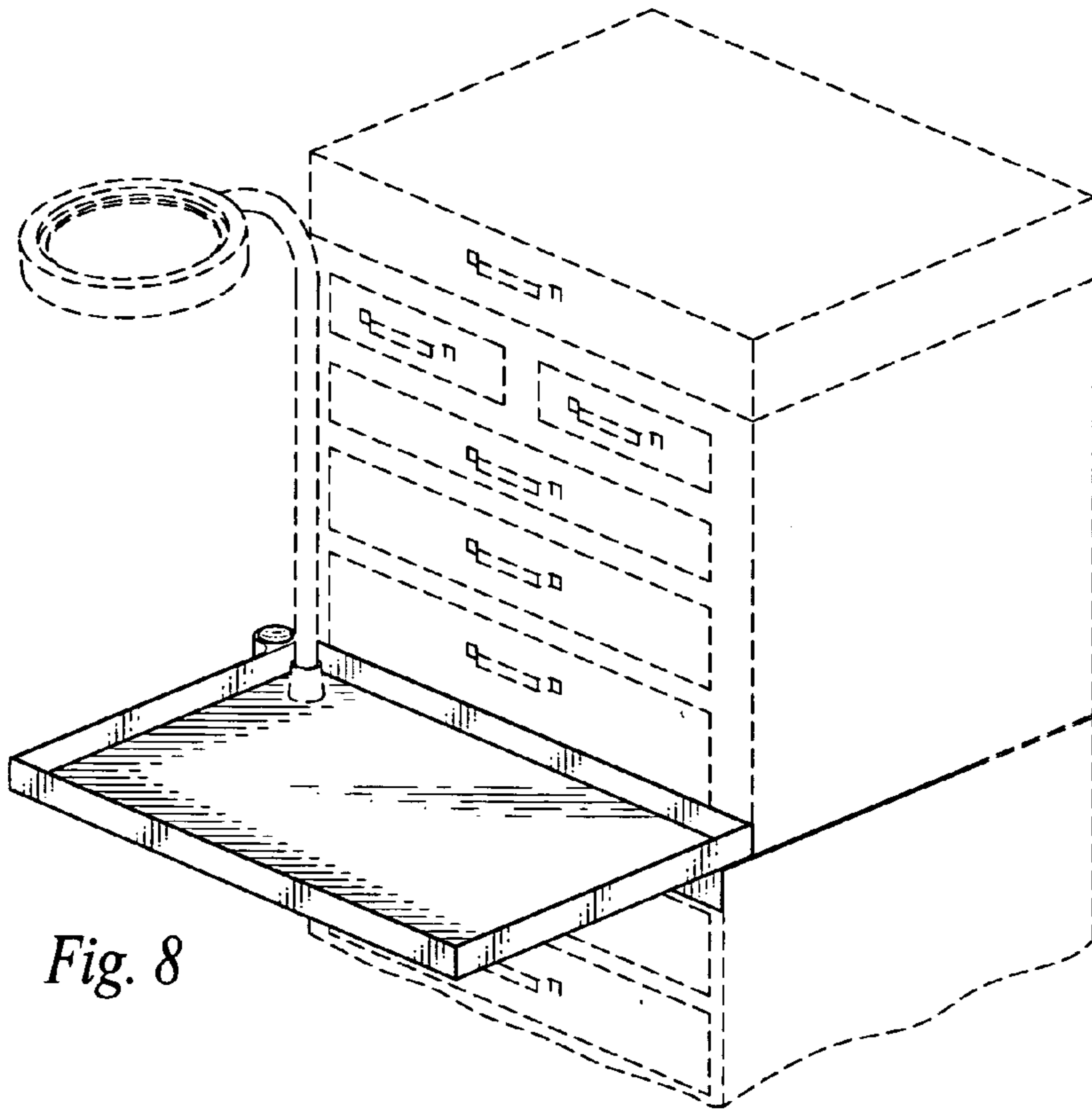


Fig. 8

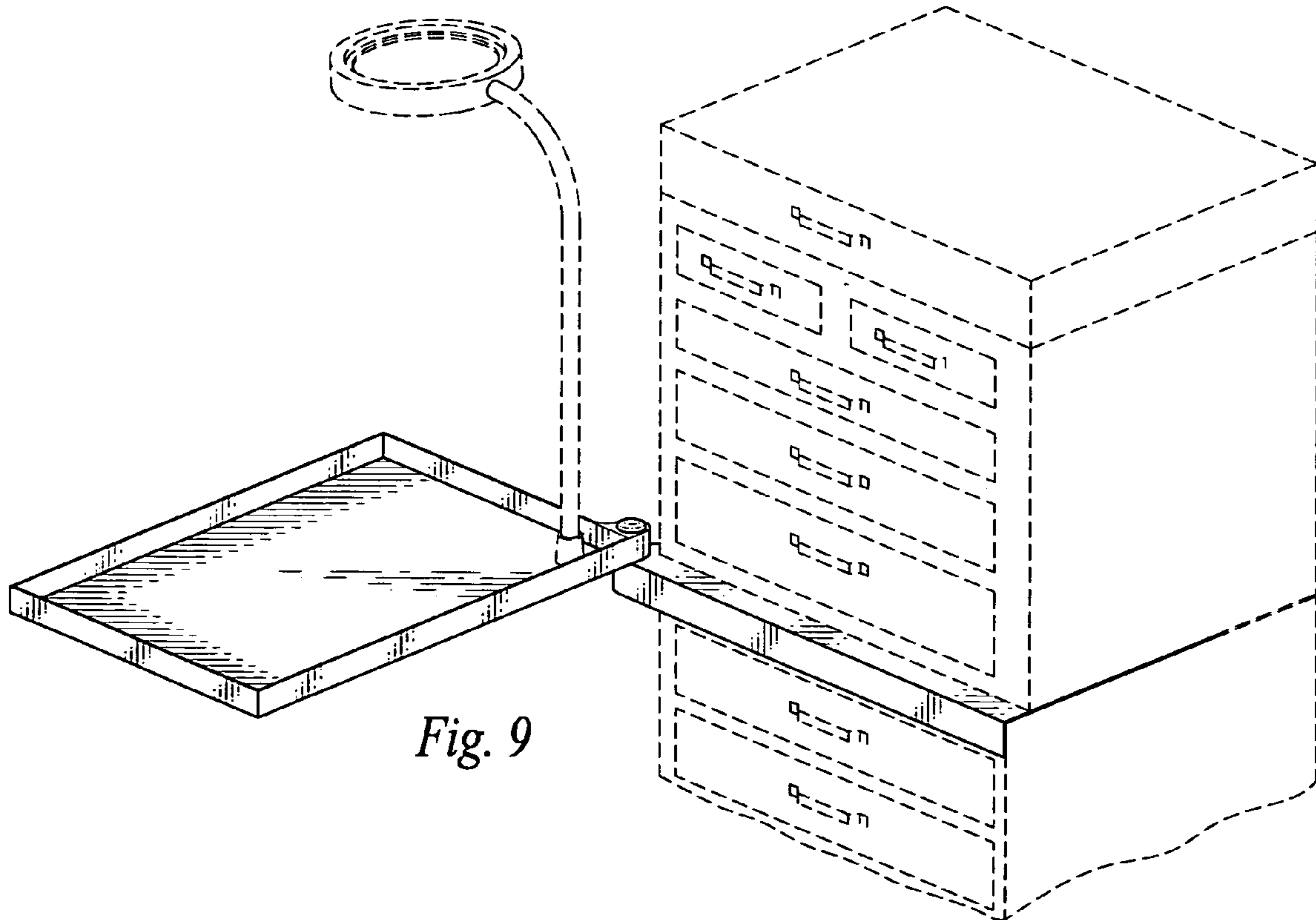


Fig. 9