



US00D602248S

(12) **United States Design Patent**  
**Wilson**

(10) **Patent No.:** **US D602,248 S**

(45) **Date of Patent:** **\*\* Oct. 20, 2009**

(54) **PURSE**

D581,665 S \* 12/2008 Gerbi ..... D3/245

(76) **Inventor:** **Erika S Wilson**, 11 Colonial Woods Dr.,  
West Orange, NJ (US) 07052

(\*\*) **Term:** **14 Years**

\* cited by examiner

*Primary Examiner*—Holly H Baynham

(21) **Appl. No.:** **29/305,647**

(22) **Filed:** **Mar. 25, 2008**

(57) **CLAIM**

The ornamental design for a purse, as shown and described.

(51) **LOC (9) Cl.** ..... **03-01**

(52) **U.S. Cl.** ..... **D3/232; D3/247**

(58) **Field of Classification Search** ..... D3/232–233,  
D3/240–252, 318, 324; 150/100, 103–104,  
150/106–110, 113–114, 118–119, 130–132

See application file for complete search history.

**DESCRIPTION**

FIG. 1 is a perspective view of the purse embodying the new design; and,

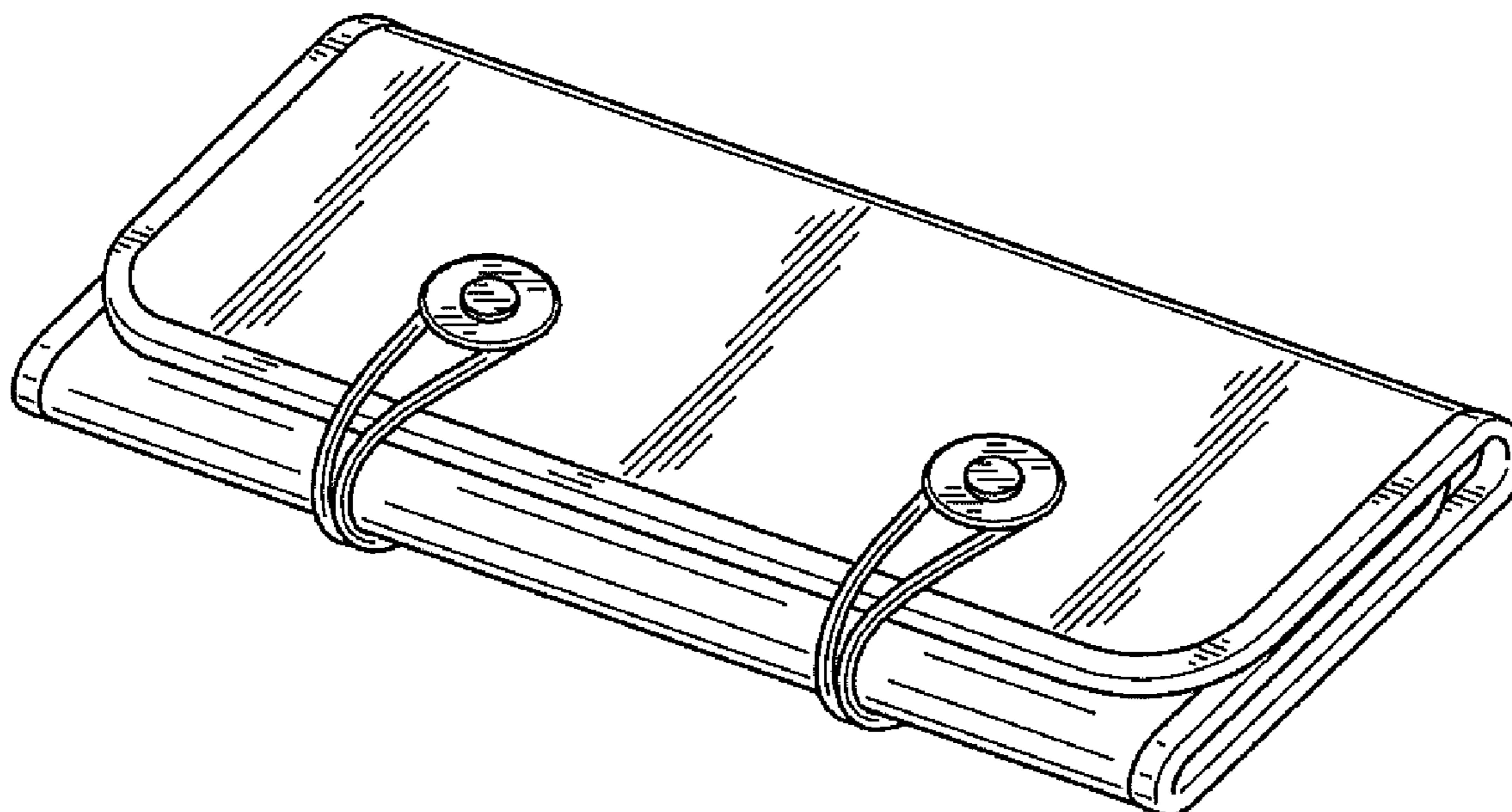
FIG. 2 is a rear view thereof.

(56) **References Cited**

U.S. PATENT DOCUMENTS

D572,468 S \* 7/2008 Nair ..... D3/232

**1 Claim, 1 Drawing Sheet**



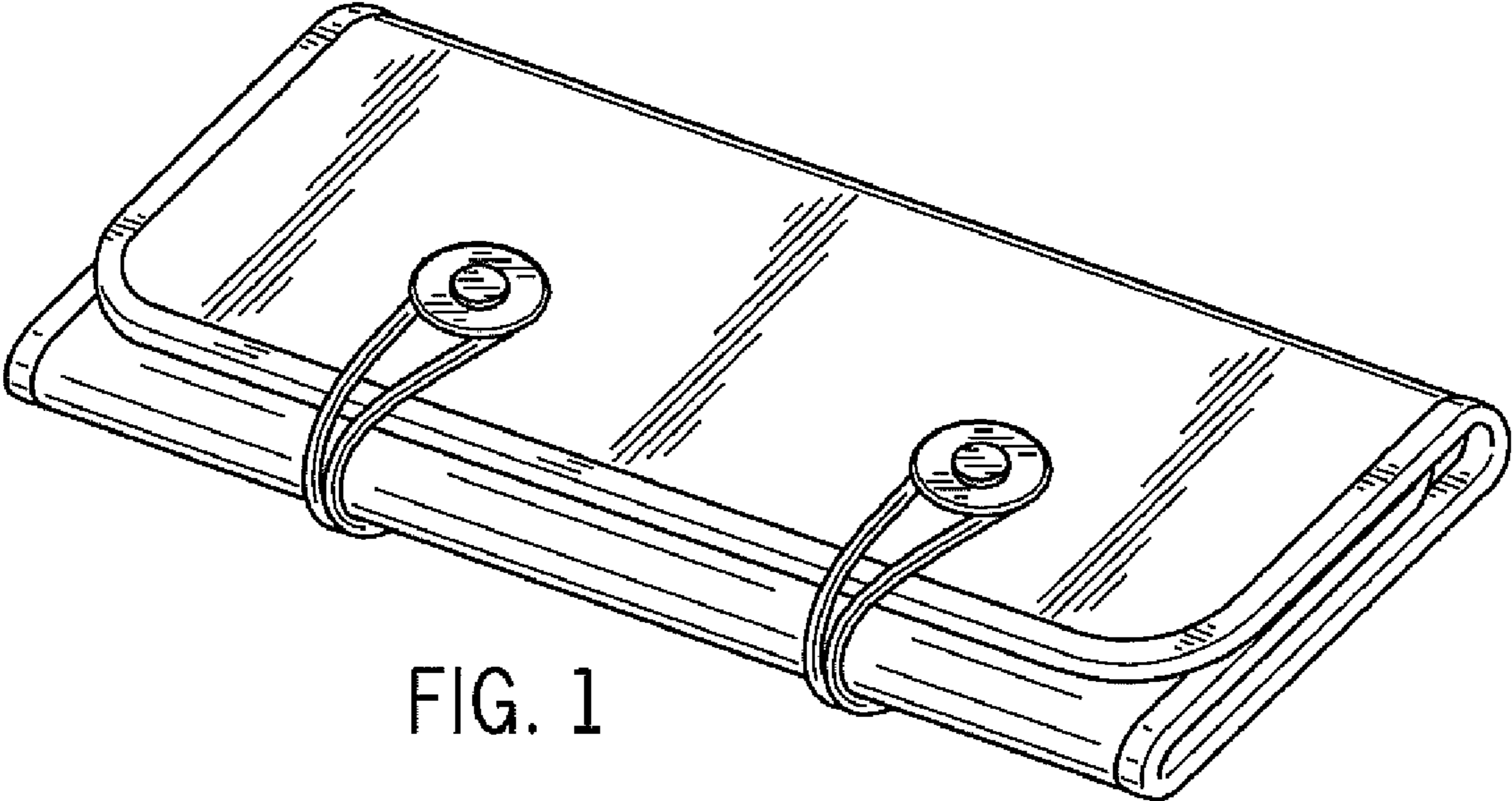


FIG. 1

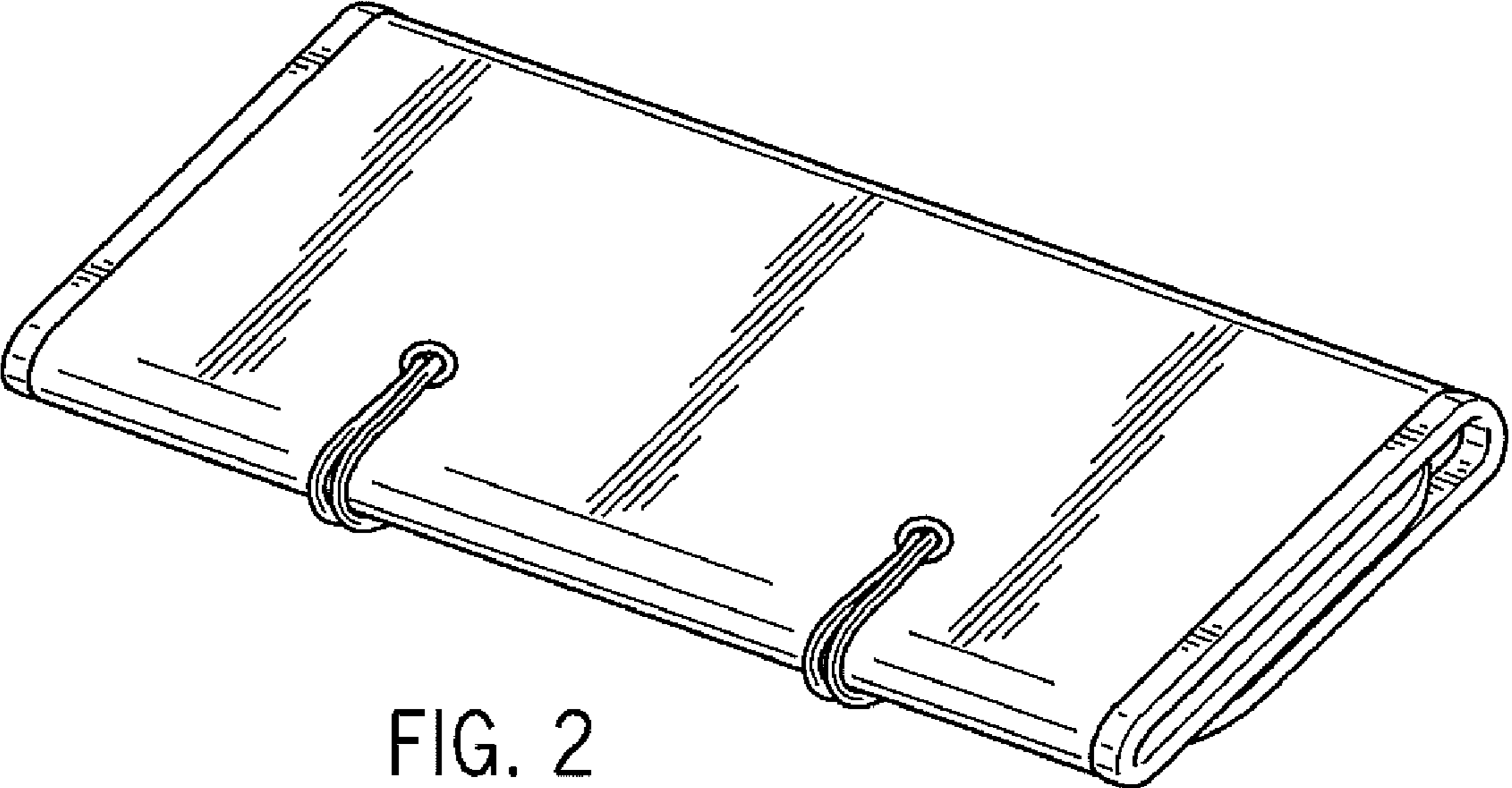


FIG. 2