



US00D602240S

(12) **United States Design Patent**
Banik et al.

(10) **Patent No.:** **US D602,240 S**
(45) **Date of Patent:** **** Oct. 20, 2009**

(54) **FOOTWEAR UPPER**

D563,640 S 3/2008 Matis et al.
D586,097 S * 2/2009 Duffy D2/969
D594,207 S * 6/2009 Banik et al. D2/969

(75) Inventors: **Gary J. Banik**, Boulder, CO (US);
Martin W. F. Dean, St. Albans (GB)

(73) Assignee: **Warner Norcross & Judd LLP**,
Rockford, MI (US)

(**) Term: **14 Years**

(21) Appl. No.: **29/312,633**

(22) Filed: **Nov. 3, 2008**

(51) **LOC (9) Cl.** **02-99**

(52) **U.S. Cl.** **D2/969**

(58) **Field of Classification Search** D2/896,
D2/902, 906-912, 943, 944, 969, 972-974;
36/45-49, 50.1, 77 M, 77 R, 83, 88, 113,
36/114, 126-131

See application file for complete search history.

(56) **References Cited**

U.S. PATENT DOCUMENTS

D303,315 S * 9/1989 Tong et al. D2/973
D465,910 S * 11/2002 Shepper D2/972
D503,266 S * 3/2005 Schoenborn et al. D2/969
D504,762 S * 5/2005 Matis et al. D2/969
D514,791 S * 2/2006 Ardissono et al. D2/969
D538,021 S 3/2007 Matis et al.
D538,025 S 3/2007 Belley et al.
D539,017 S 3/2007 Matis et al.
D546,044 S 7/2007 Matis et al.
D546,045 S 7/2007 Matis et al.

OTHER PUBLICATIONS

Merrell Spring 2008 Catalog, pp. 32, 33.
Merrell Spring 2009 Catalog, p. 40.

* cited by examiner

Primary Examiner—Dominic Simone

(57) **CLAIM**

The ornamental design for footwear upper, as shown and described.

DESCRIPTION

FIG. 1 is a perspective view of the footwear upper embodying the new design;

FIG. 2 is a top view thereof;

FIG. 3 is a right side view thereof;

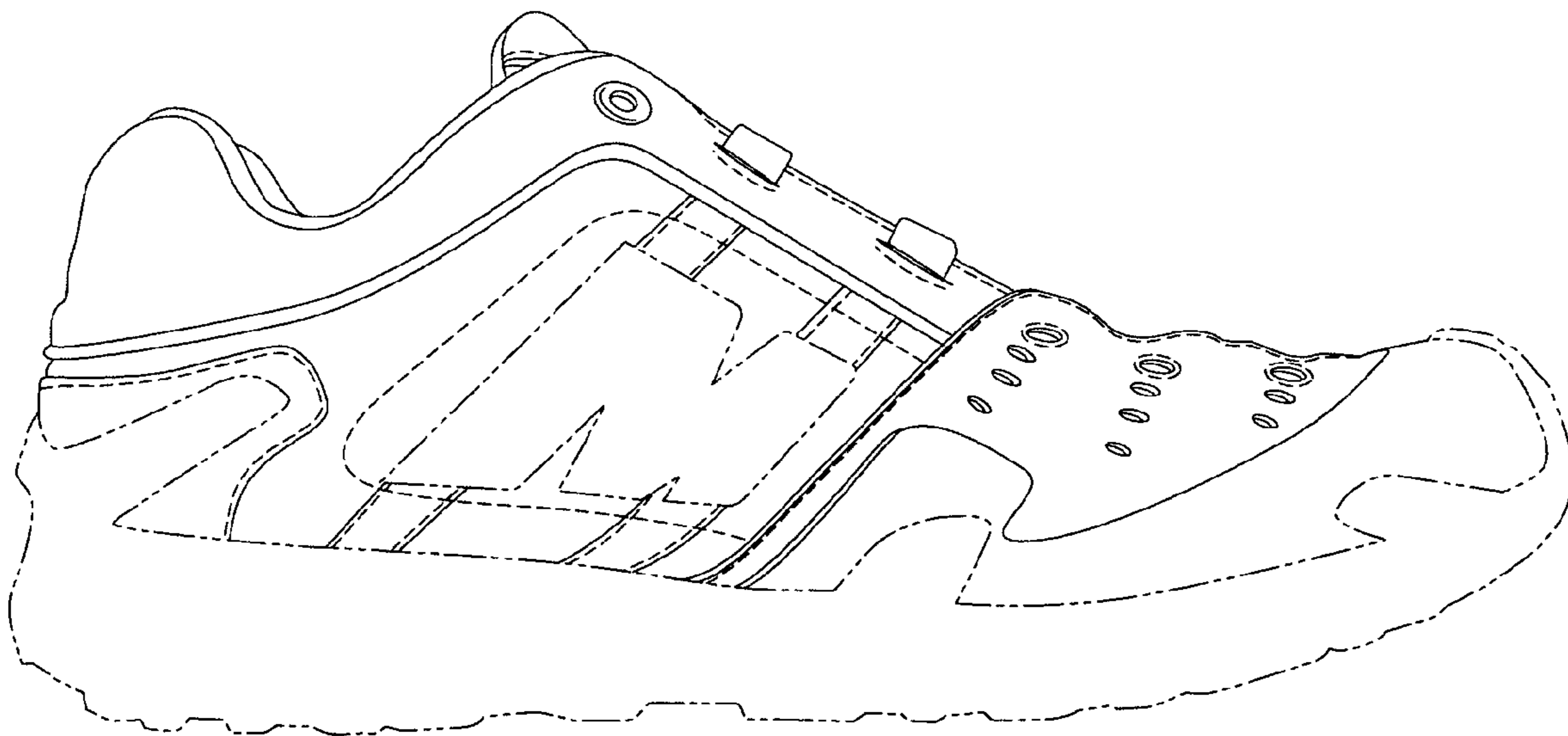
FIG. 4 is a left side view thereof;

FIG. 5 is a front view thereof; and,

FIG. 6 is a rear view thereof.

FIGS. 1-6 show features of an article of footwear in phantom lines. These features are shown for environmental purposes and do not form any part of the claimed design. Further, the phantom lines immediately adjacent the solid-line portions of the design form the boundary of the design, with the phantom lines forming no part of the claimed design.

1 Claim, 4 Drawing Sheets



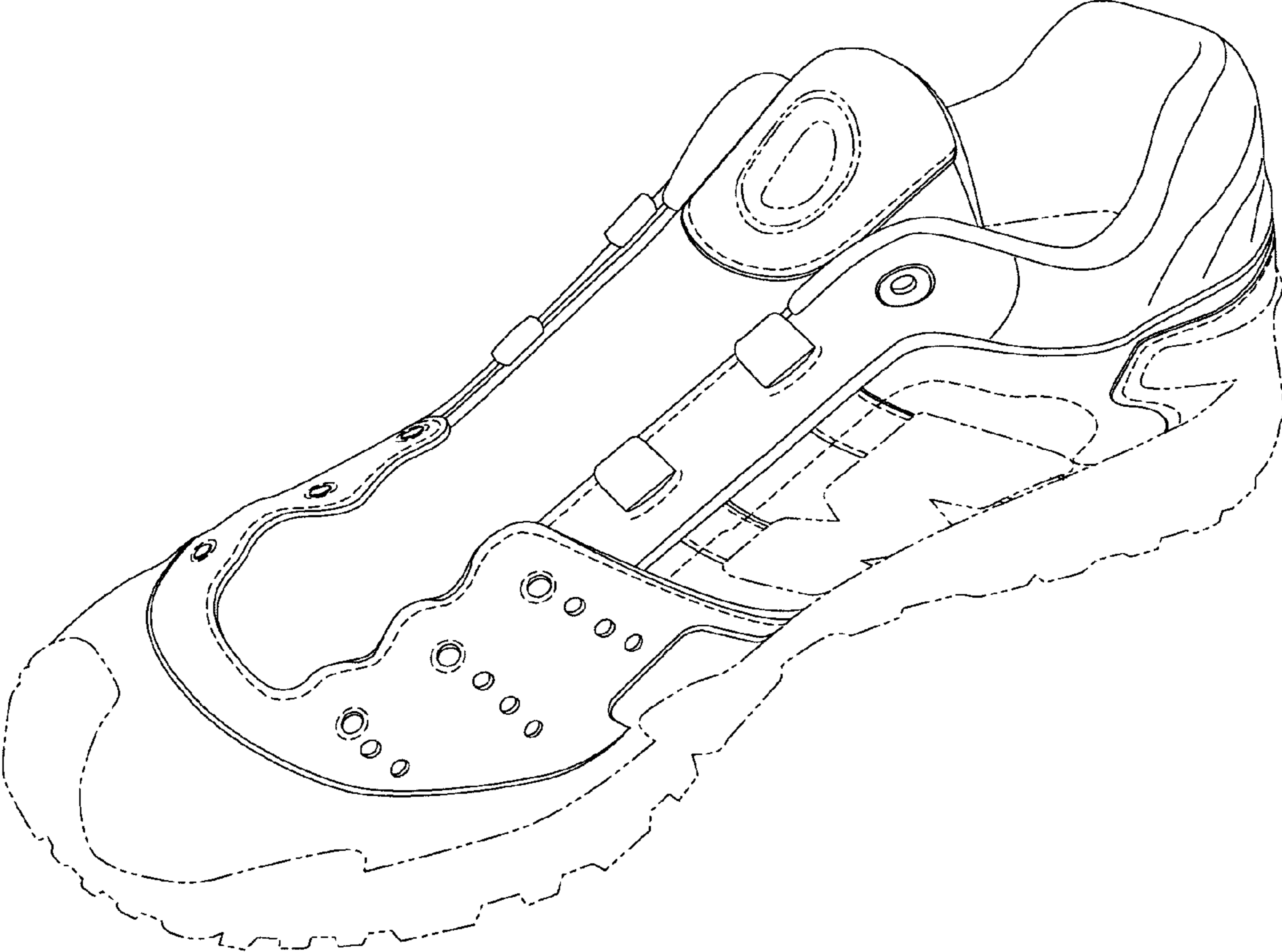


Fig.1

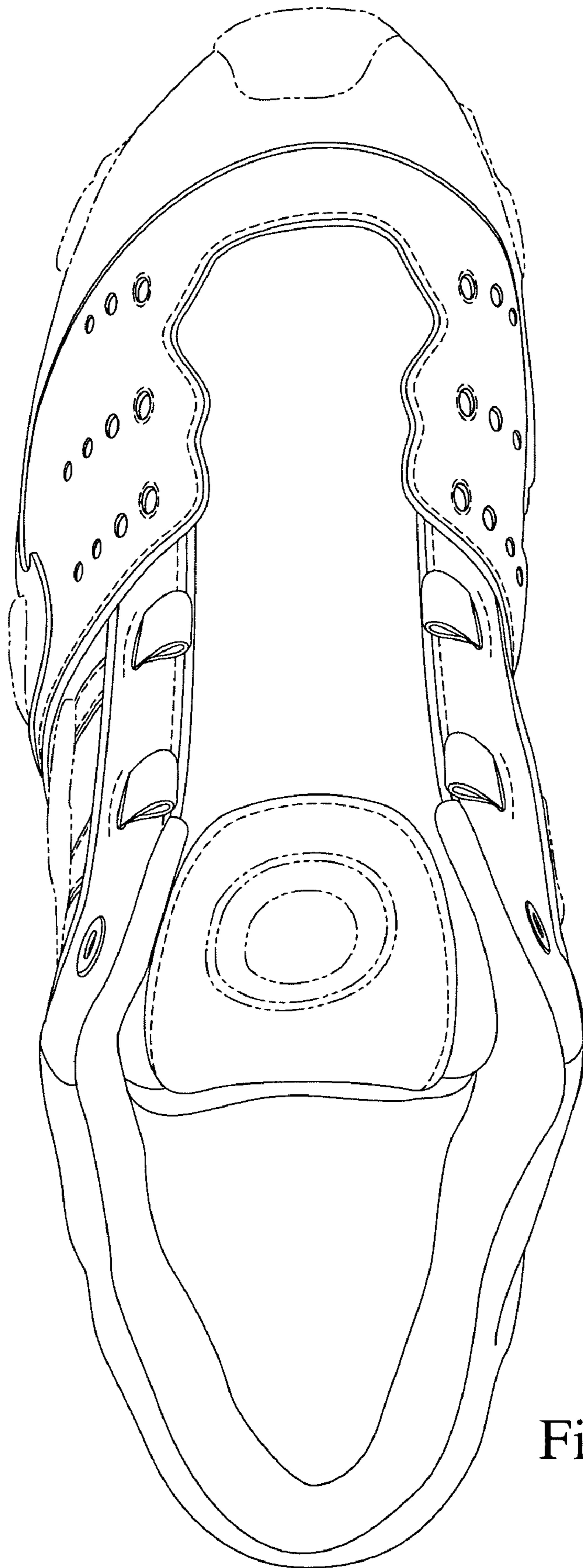


Fig.2

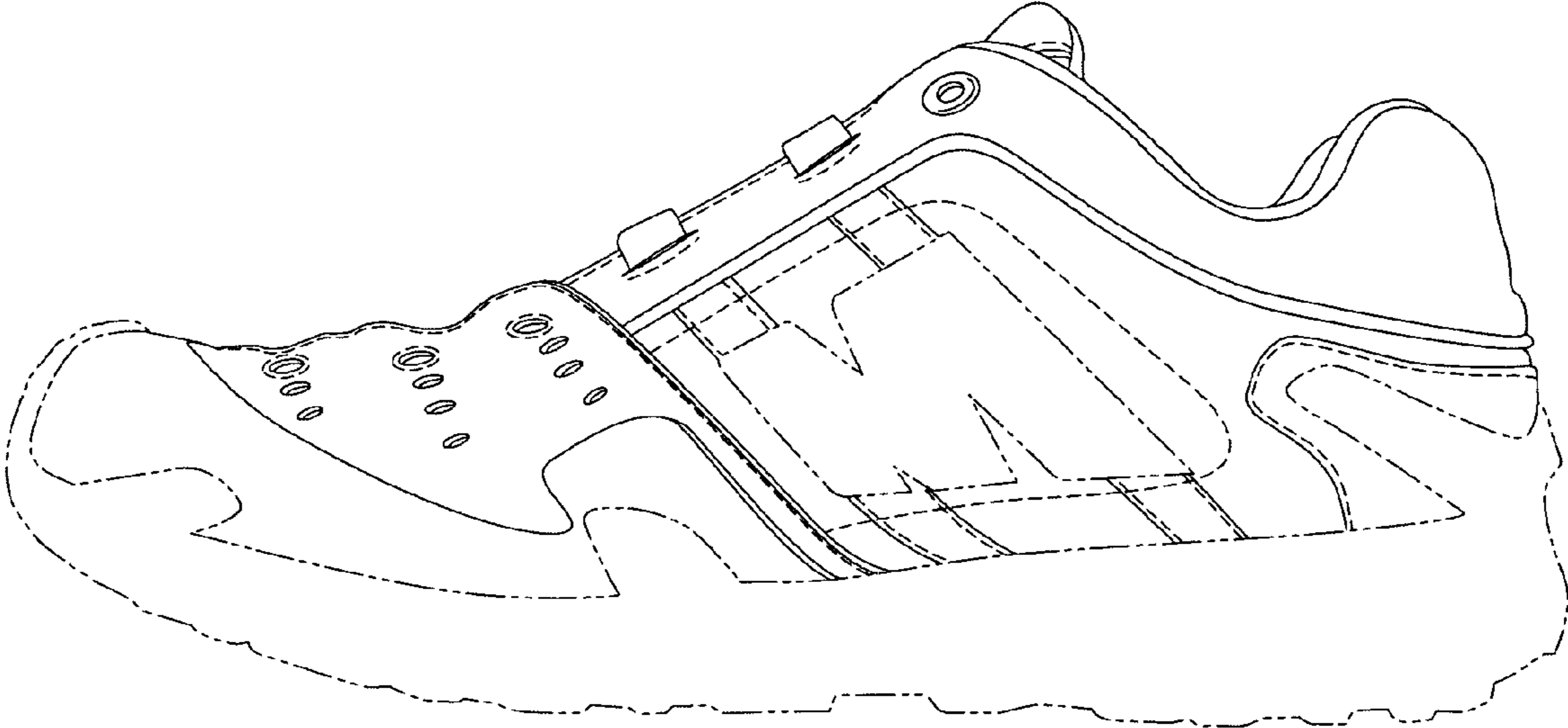


Fig.3

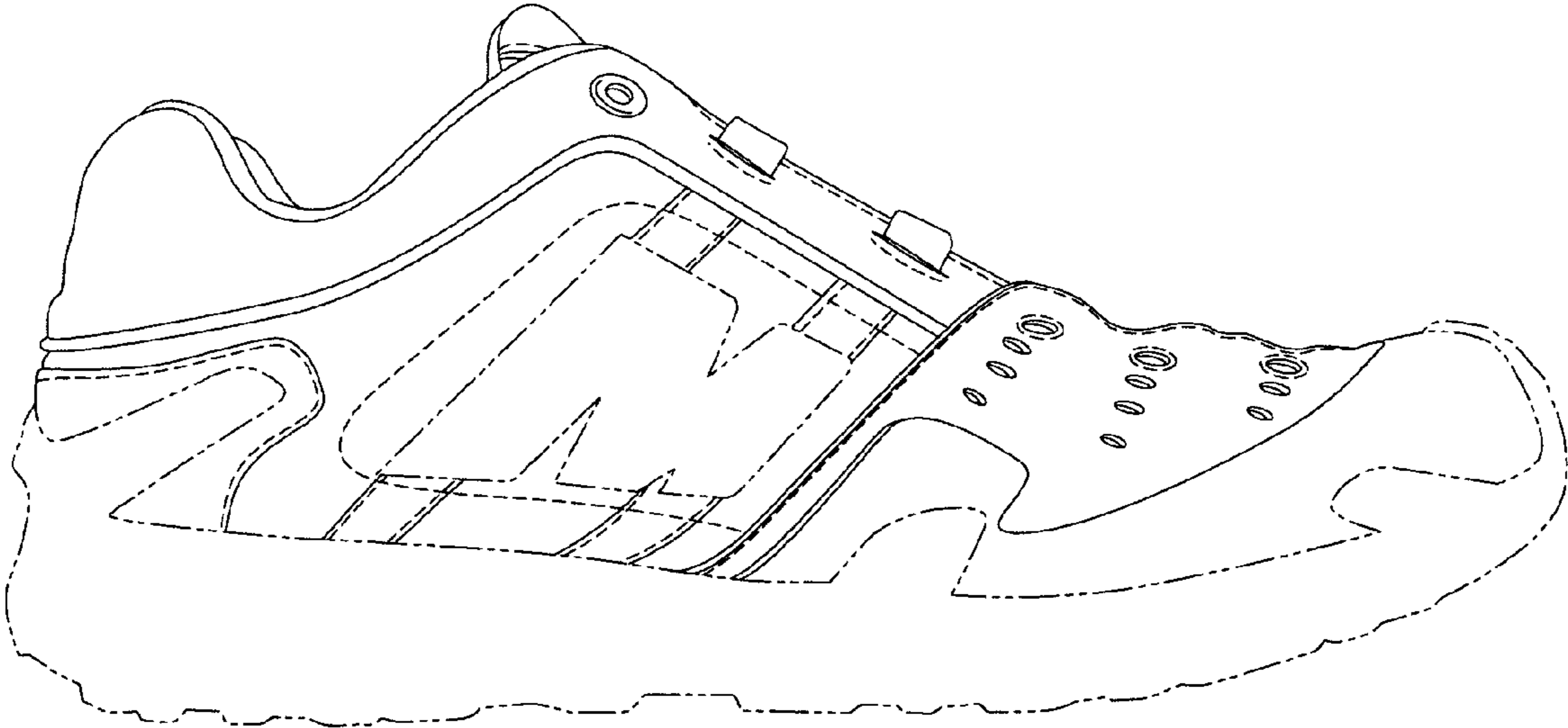


Fig.4

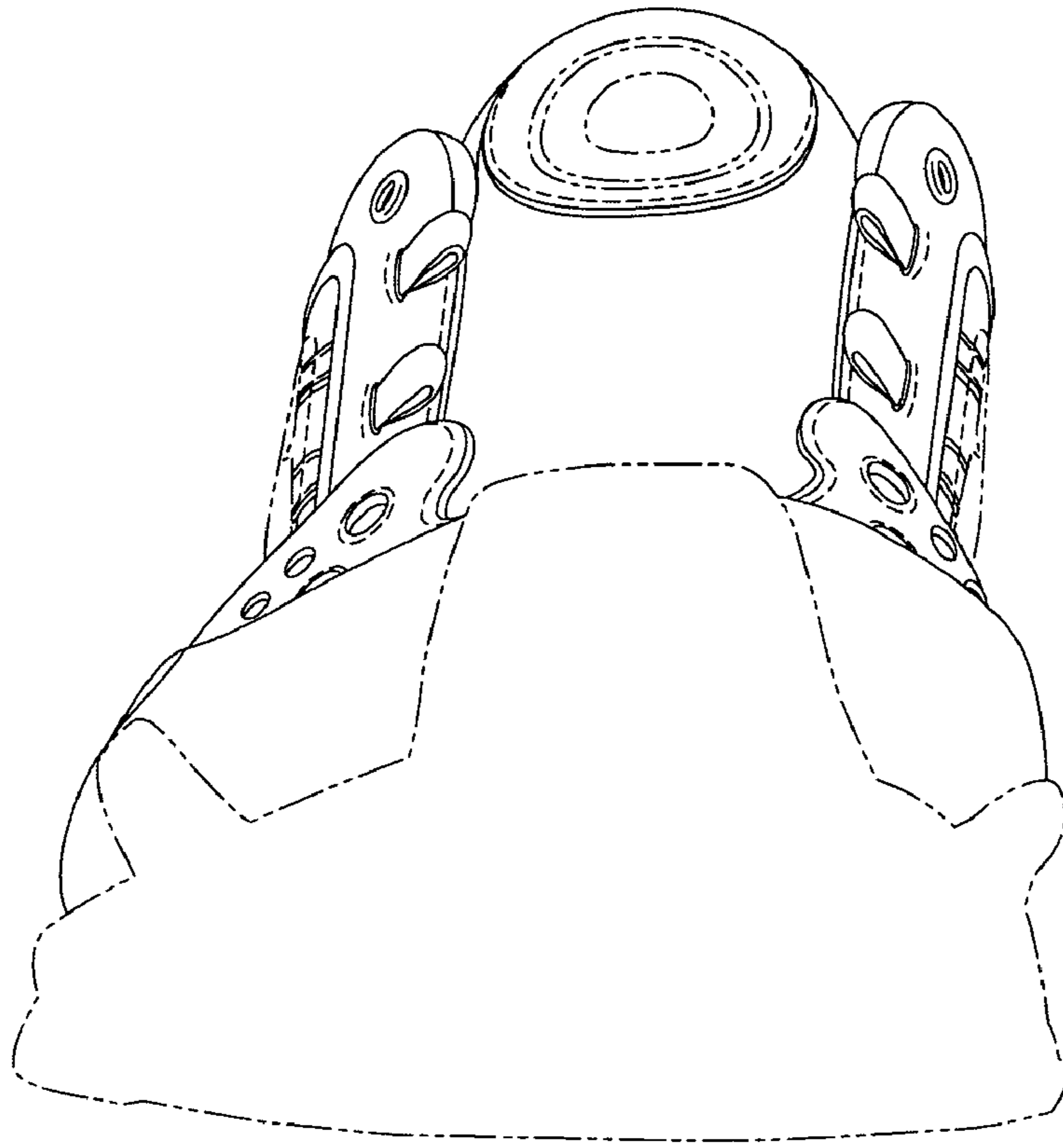


Fig.5

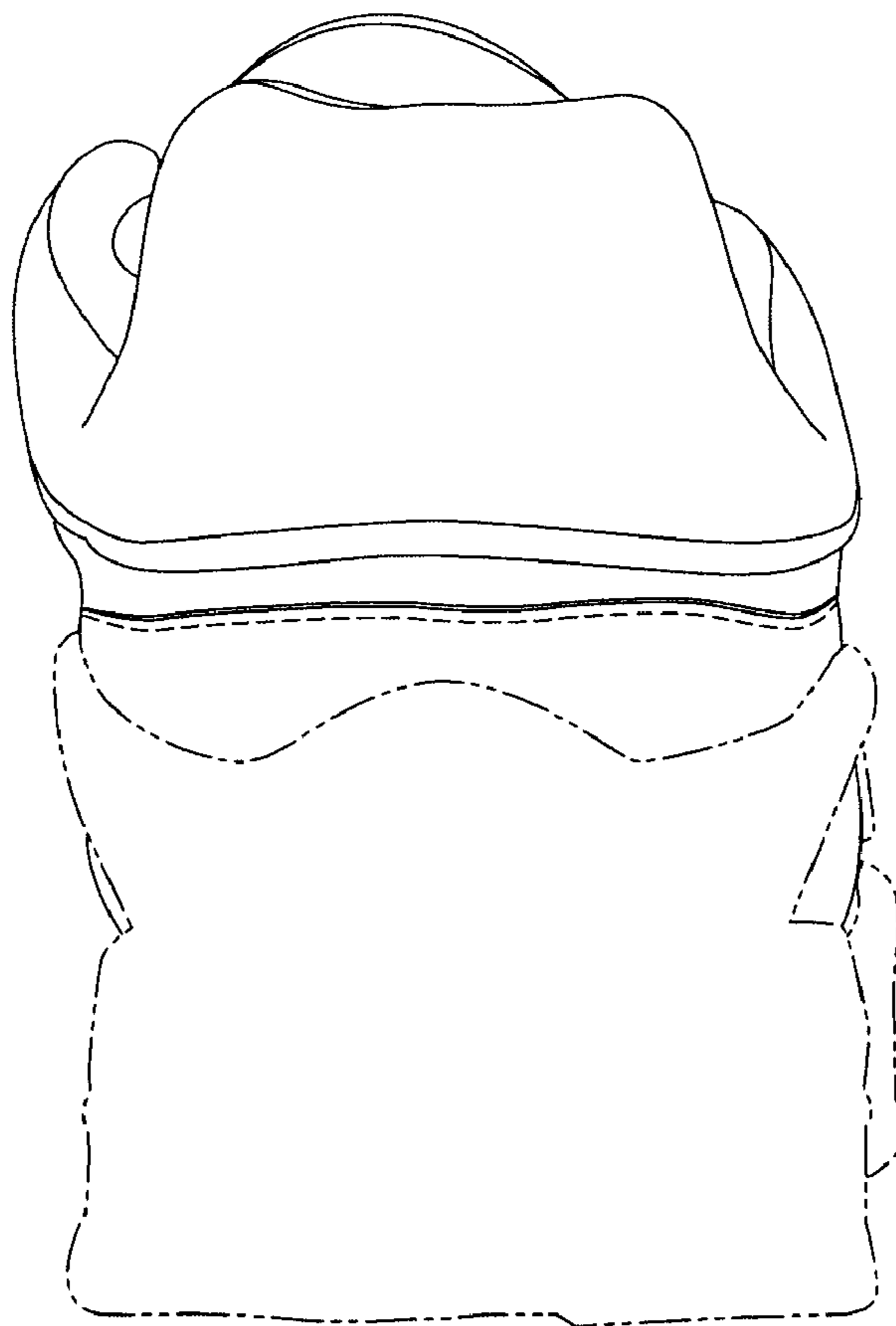


Fig.6