



US00D602234S

(12) **United States Design Patent**
Feller

(10) **Patent No.:** **US D602,234 S**

(45) **Date of Patent:** **** Oct. 20, 2009**

(54) **SHOE**

(76) **Inventor:** **Craig Feller**, 29433 Gray Hawk Dr.,
Evergreen, CO (US) 80439

(**) **Term:** **14 Years**

(21) **Appl. No.:** **29/330,493**

(22) **Filed:** **Jan. 8, 2009**

(51) **LOC (9) Cl.** **02-04**

(52) **U.S. Cl.** **D2/917; D2/918**

(58) **Field of Classification Search** **D2/900,**
D2/916-918, 943, 946, 969, 974, 976; 36/45,
36/11.5, 90, 101, 3 A, 50.1, 7.5, 9 R

See application file for complete search history.

(56) **References Cited**

U.S. PATENT DOCUMENTS

1,823,445 A	9/1931	Goldstone
2,253,860 A	8/1941	Martin
D132,630 S	6/1942	Pfeiffer
2,343,701 A	3/1944	Pickens
2,491,297 A	12/1949	Brown
2,495,984 A	1/1950	Roy
2,526,940 A	10/1950	Fello
D161,707 S	1/1951	Peterson
2,590,648 A	3/1952	Pitz
2,607,133 A	8/1952	Marlowe
2,694,438 A	11/1954	Wilhelm
2,873,540 A	2/1959	Murphy
2,889,639 A	6/1959	Rudine
2,957,253 A	10/1960	Metzler
3,063,166 A	11/1962	Blavier
3,228,124 A	1/1966	Schwartz
3,455,037 A	7/1969	Vlas et al.
3,672,078 A	6/1972	Fukuoka et al.
3,739,501 A	6/1973	Barrett, Jr.

3,867,771 A	2/1975	Levine
3,983,642 A	10/1976	Liao et al.
4,069,601 A *	1/1978	Robbins et al. 36/11.5
4,114,295 A	9/1978	Schaefer et al.
4,114,296 A	9/1978	Smith
4,172,330 A	10/1979	Kao
4,193,214 A	3/1980	Wang et al.

(Continued)

Primary Examiner—Stella M Reid

Assistant Examiner—Rashida C McCoy

(74) *Attorney, Agent, or Firm*—Gifford, Krass, Sprinle,
Anderson & Citkowski, P.C.

(57) **CLAIM**

The ornamental design for shoe, as shown and described.

DESCRIPTION

FIG. 1 is a top view of a shoe, showing my new design;

FIG. 2 is a side view thereof;

FIG. 3 is a bottom view thereof;

FIG. 4 is a front elevation view thereof;

FIG. 5 is a rear elevation view thereof;

FIG. 6 is a top view of a second embodiment of a shoe,
showing my new design;

FIG. 7 is a side view thereof;

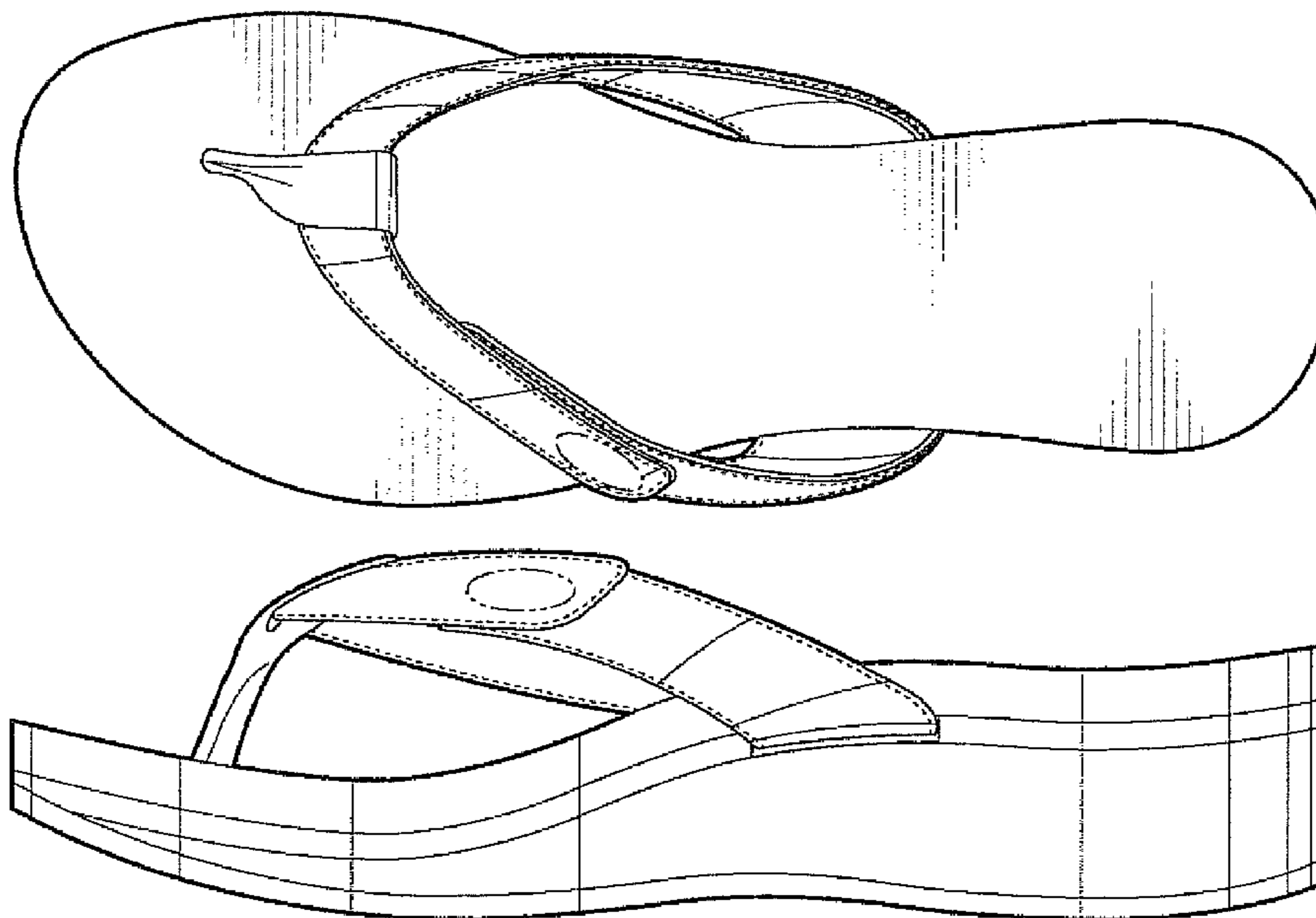
FIG. 8 is a bottom view thereof;

FIG. 9 is a front elevation view thereof; and,

FIG. 10 is a rear elevation view thereof.

The broken lines shown in the Figures are for environmental
purposes only and form no part of the claimed design.

1 Claim, 4 Drawing Sheets



US D602,234 S

Page 2

U.S. PATENT DOCUMENTS

4,267,649 A	5/1981	Smith		6,035,554 A	3/2000	Duncan
4,279,083 A	7/1981	Dilg		6,128,834 A	10/2000	Vecchiola et al.
4,297,798 A	11/1981	Colan		D441,942 S	5/2001	Kelchak
4,300,294 A	11/1981	Riecken		6,282,818 B1	9/2001	Lu et al.
4,314,412 A	2/1982	Anderson et al.		D448,542 S *	10/2001	Bryant D2/917
4,343,057 A	8/1982	Bensley et al.		D450,178 S *	11/2001	Boncutter D2/917
4,348,820 A	9/1982	D'Alessio		D454,425 S	3/2002	Boncutter
4,363,177 A	12/1982	Boros		D467,407 S	12/2002	Berg et al.
4,370,818 A	2/1983	Simoglou		D467,709 S	12/2002	Berg et al.
4,439,935 A	4/1984	Kelly		D470,304 S	2/2003	Berg et al.
4,450,633 A	5/1984	Connelly et al.		D471,346 S	3/2003	Bray, Jr. et al.
4,461,102 A	7/1984	DeVincentis		D485,050 S	1/2004	Lin
4,497,123 A	2/1985	Ehrlich et al.		D485,970 S	2/2004	Magro et al.
4,563,787 A	1/1986	Drew et al.		D485,971 S	2/2004	Magro et al.
4,745,693 A	5/1988	Brown		D492,474 S	7/2004	Branstrom
4,854,056 A	8/1989	Levin		D495,123 S *	8/2004	Wakatake D2/969
4,869,000 A	9/1989	York, Jr.		D495,124 S	8/2004	Wakatake
4,887,369 A	12/1989	Bailey et al.		6,792,696 B2	9/2004	Berg et al.
4,896,440 A	1/1990	Salaverria		D497,243 S	10/2004	McClaskie
4,967,750 A	11/1990	Cherniak et al.		D499,236 S	12/2004	Magro et al.
5,052,131 A	10/1991	Rondini		D511,241 S *	11/2005	Cobian D2/917
5,065,531 A	11/1991	Prestridge		D514,778 S	2/2006	Berg et al.
D332,515 S *	1/1993	Middleton D2/917		D514,780 S	2/2006	Berg et al.
D333,904 S *	3/1993	Eminger D2/917		D518,947 S	4/2006	Choi
5,381,610 A	1/1995	Hanson		7,028,420 B2	4/2006	Tonkel
5,410,821 A	5/1995	Hilgendorf		D521,214 S	5/2006	Choi
5,423,134 A	6/1995	Bagnaia et al.		D528,747 S	9/2006	Issler
5,459,948 A	10/1995	Aveni		7,117,615 B2	10/2006	Gerber
5,477,625 A	12/1995	Goldsmith et al.		D535,085 S	1/2007	Berg et al.
D365,923 S	1/1996	Crowley		D535,464 S	1/2007	Belley et al.
5,483,757 A	1/1996	Frykberg		7,162,814 B2	1/2007	Berg et al.
D374,335 S	10/1996	Grimes		7,174,657 B2	2/2007	Berg et al.
5,611,156 A	3/1997	Chiu		D542,514 S	5/2007	Amado et al.
D385,999 S	11/1997	Tong		D543,345 S	5/2007	Andersen et al.
5,692,322 A	12/1997	Lombardino		D545,034 S	6/2007	Amado et al.
5,778,565 A	7/1998	Holt et al.		D552,343 S	10/2007	Bradenburg
5,802,738 A	9/1998	Ferniani et al.		D554,330 S	11/2007	White
5,836,090 A	11/1998	Smith		D558,435 S	1/2008	Masoodifar
5,848,484 A	12/1998	Dupree et al.		D558,958 S	1/2008	Motomura et al.
5,852,885 A	12/1998	Ferniani et al.		7,328,527 B2	2/2008	Goldman
D403,493 S	1/1999	McKinley		D564,734 S	3/2008	Krompasick et al.
5,896,684 A	4/1999	Lin et al.		D575,051 S	8/2008	Bartee
5,946,823 A	9/1999	Yates		D577,882 S	10/2008	Little
D421,828 S	3/2000	Malka				

* cited by examiner

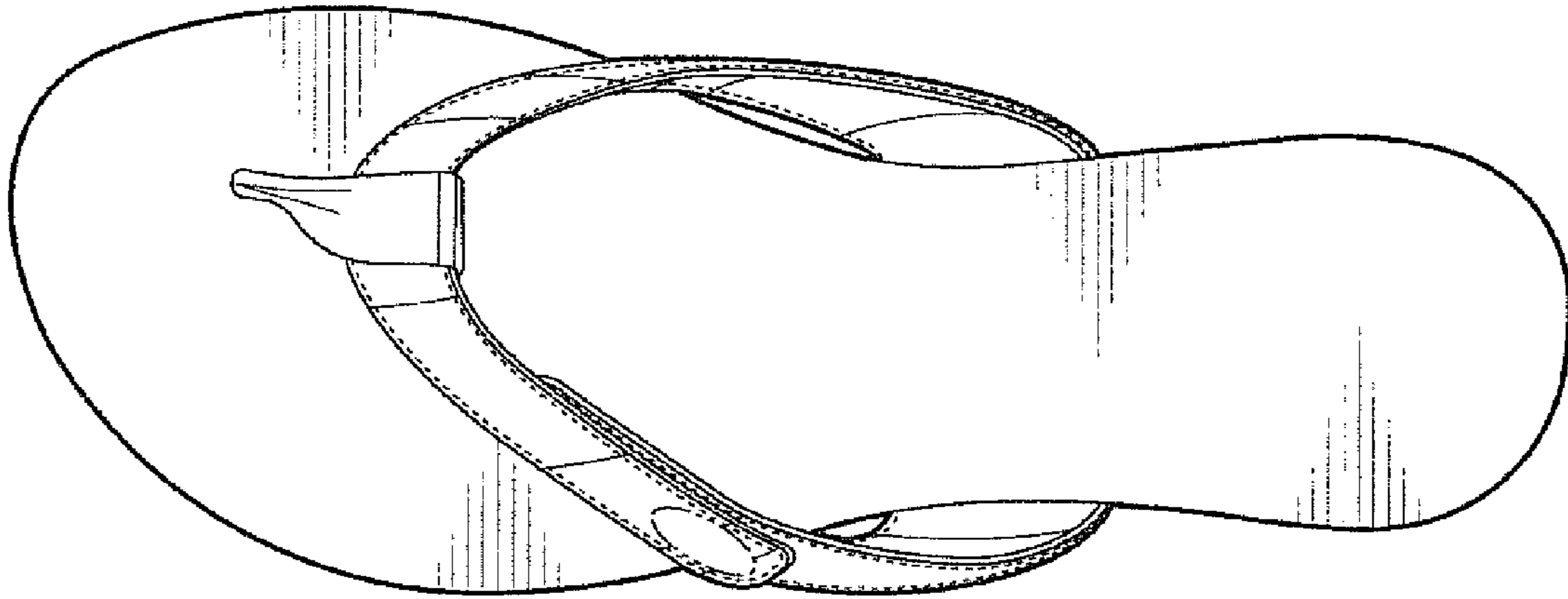


FIG. 1

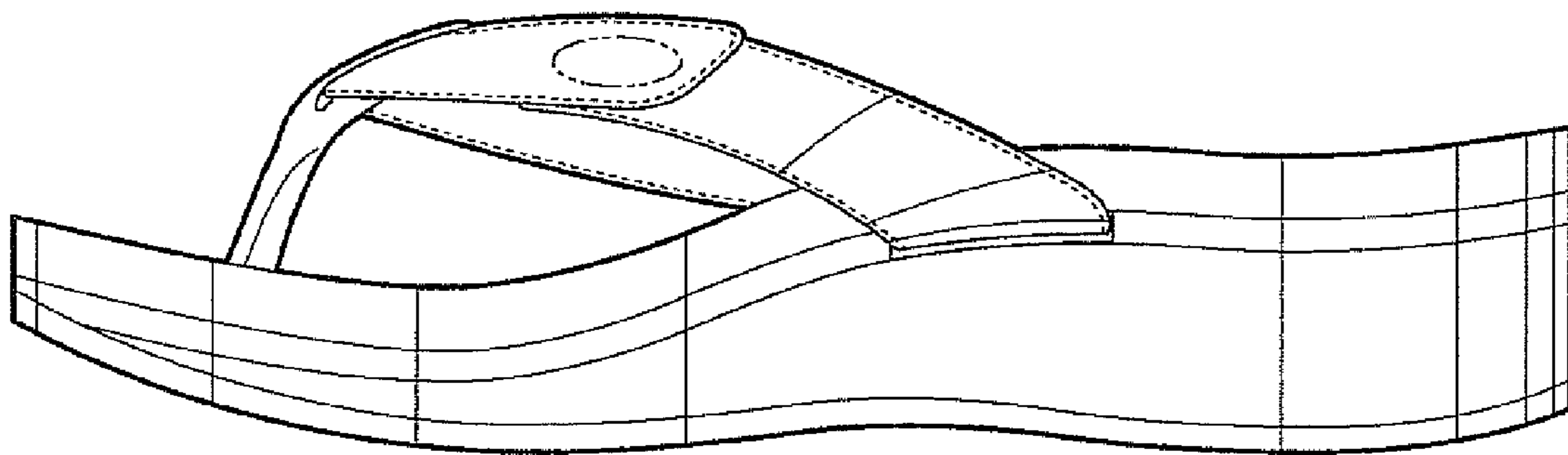


FIG. 2

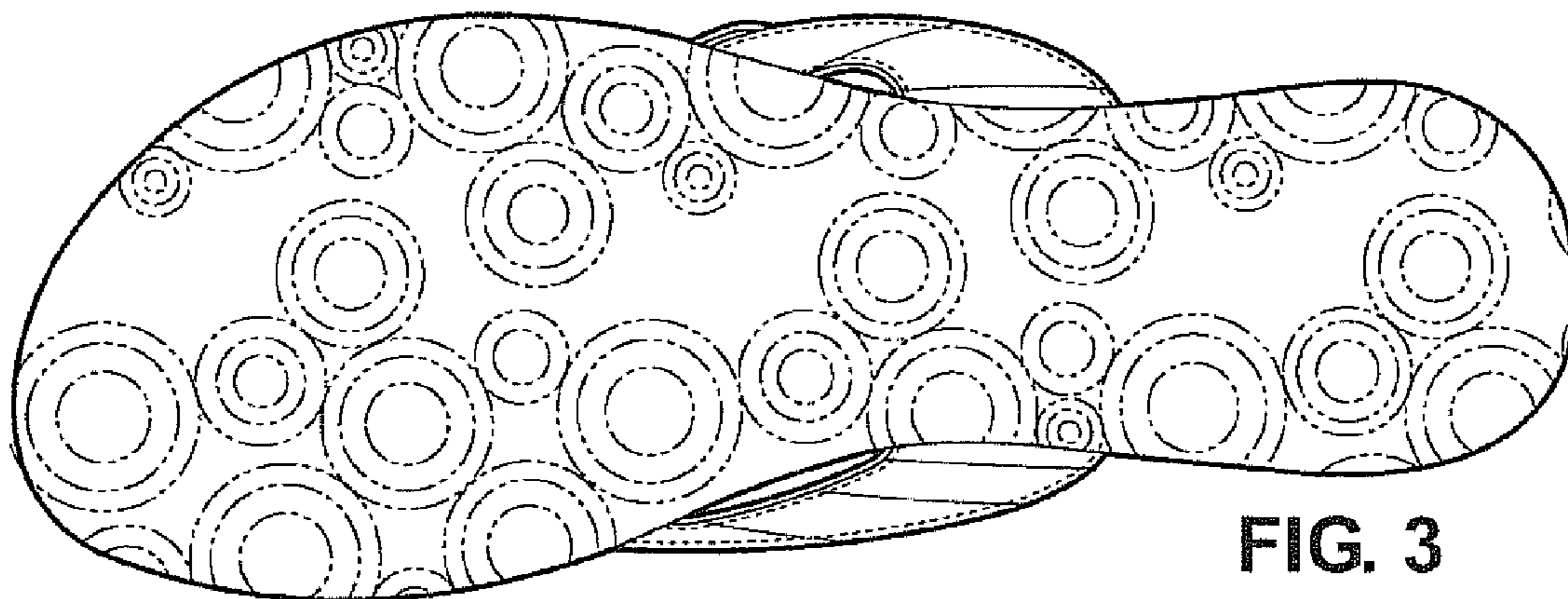


FIG. 3

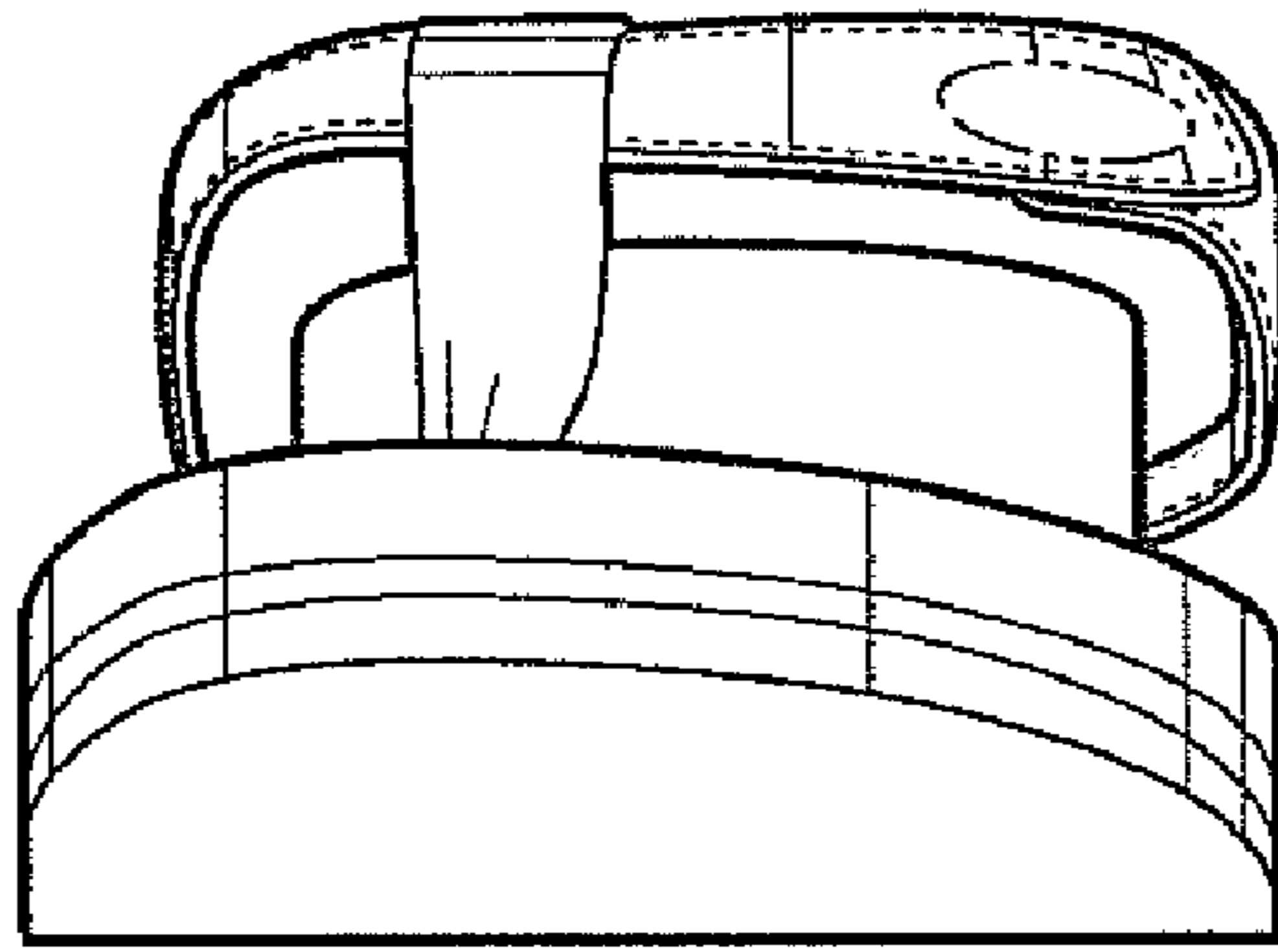


FIG. 4

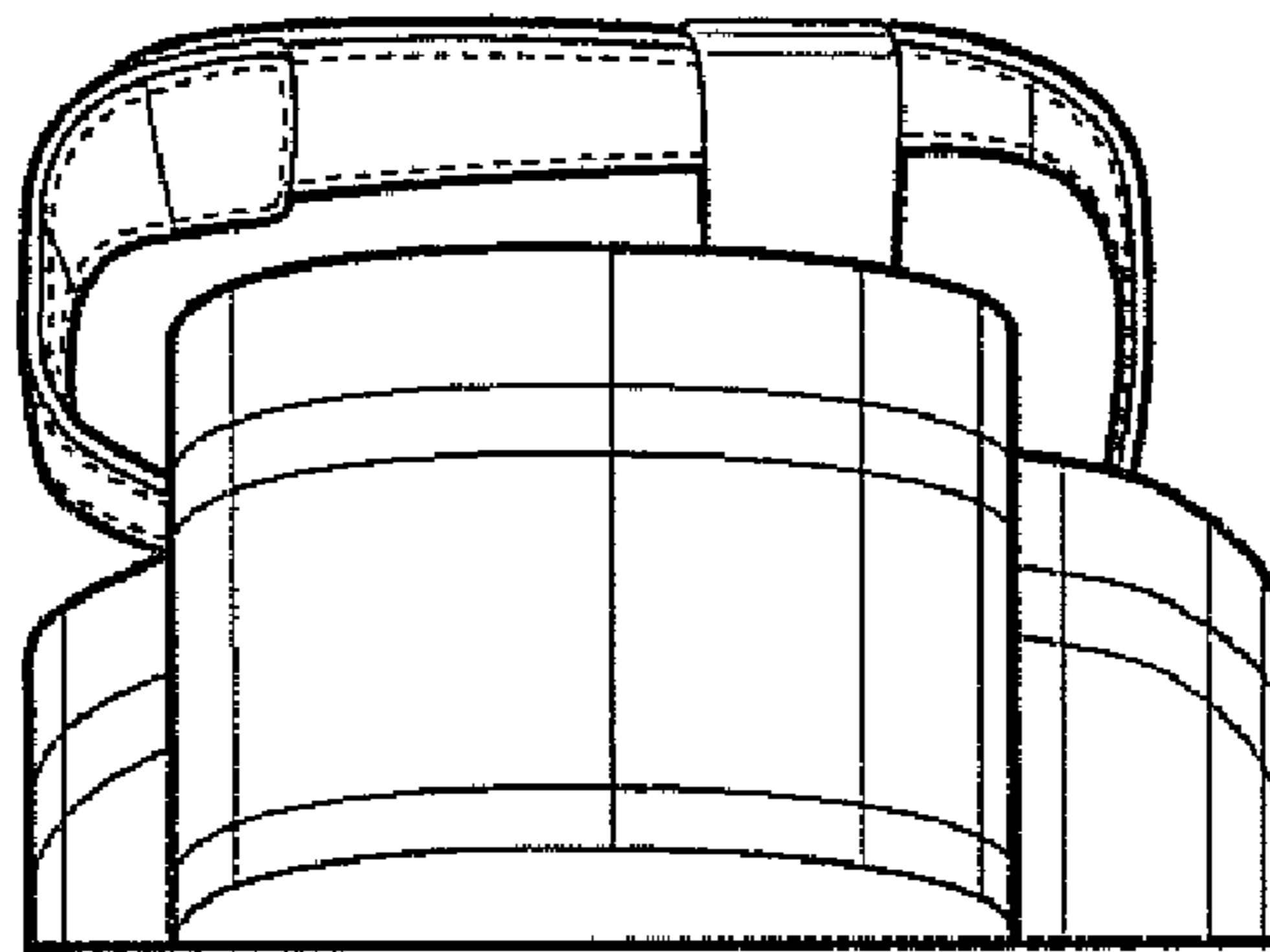


FIG. 5

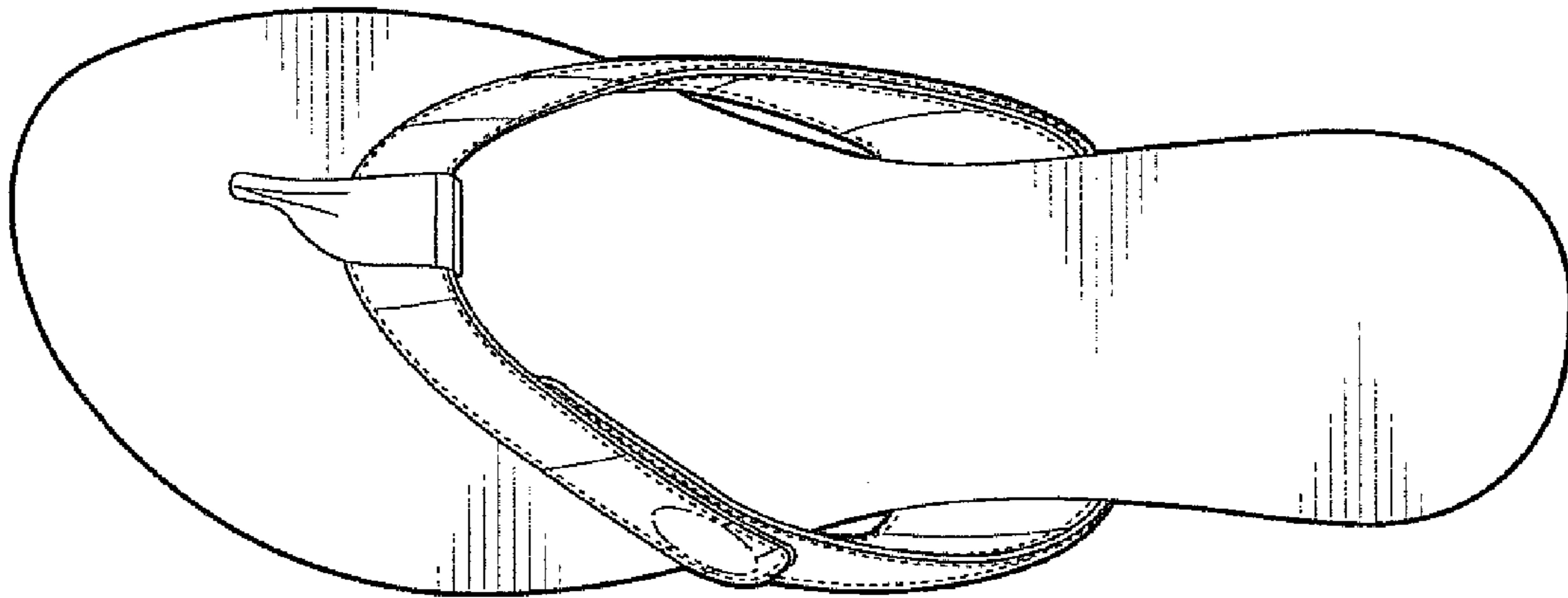


FIG. 6

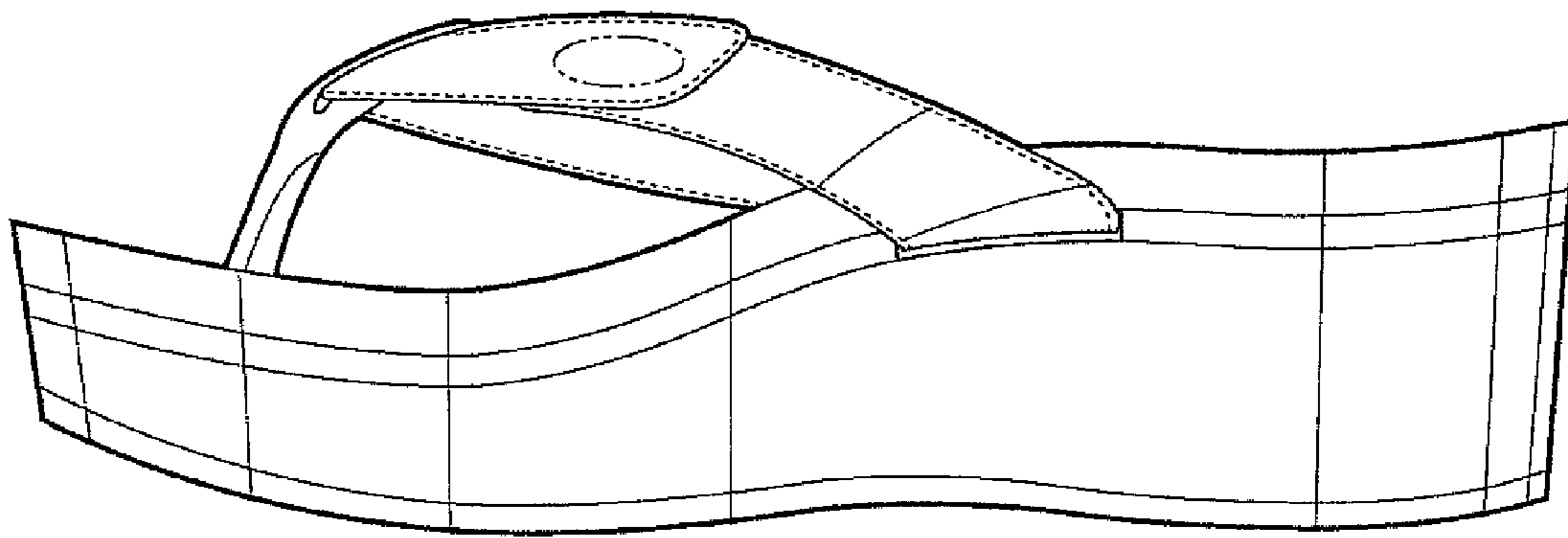


FIG. 7

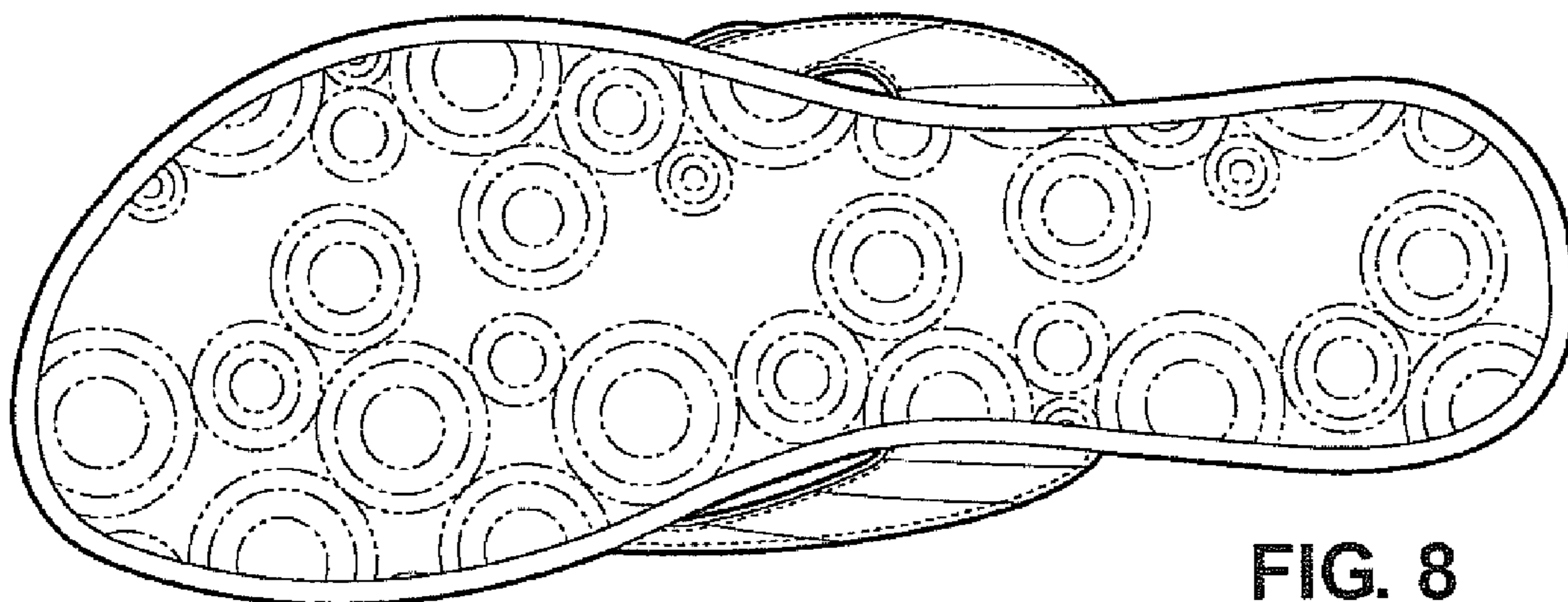


FIG. 8

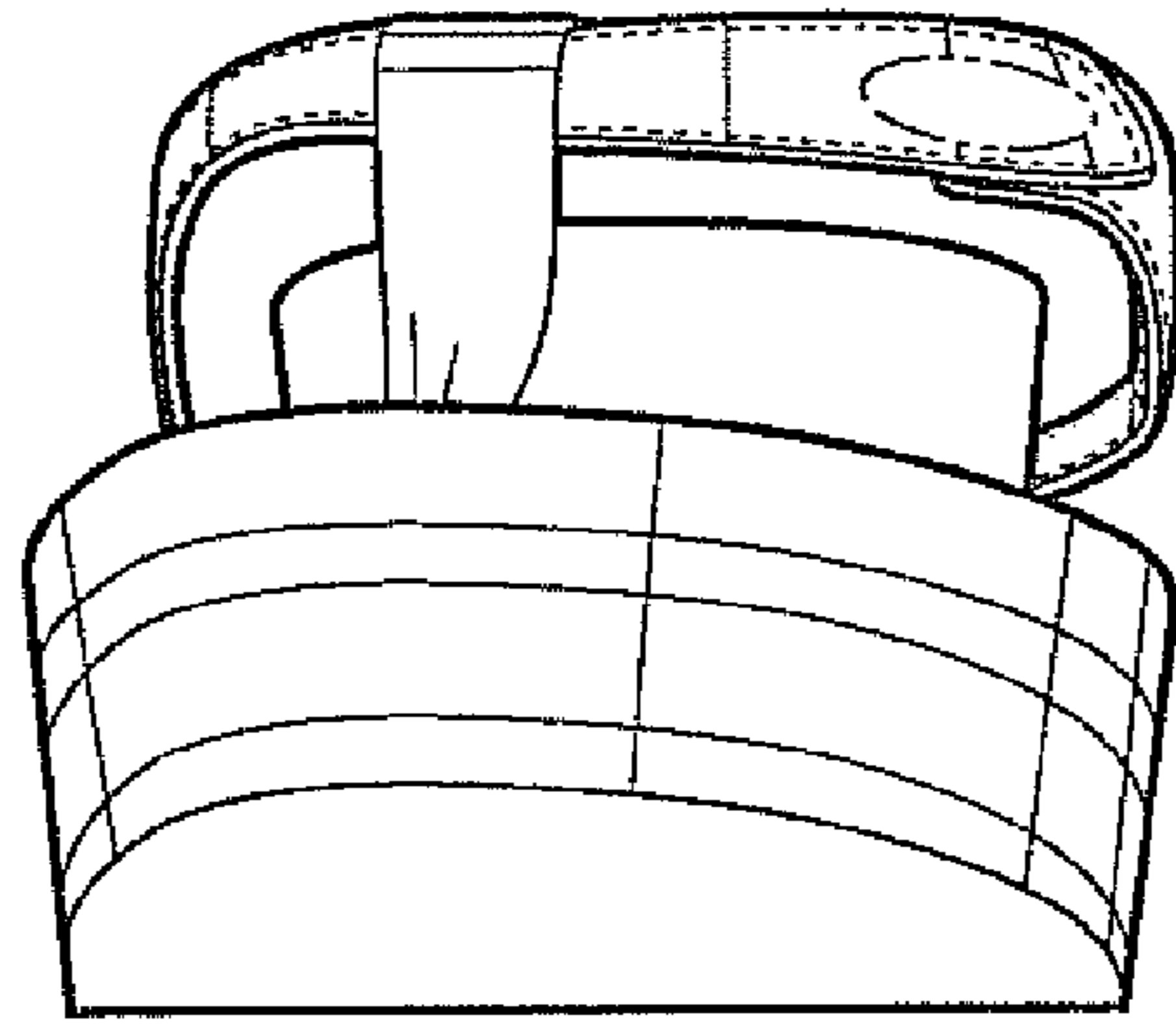


FIG. 9

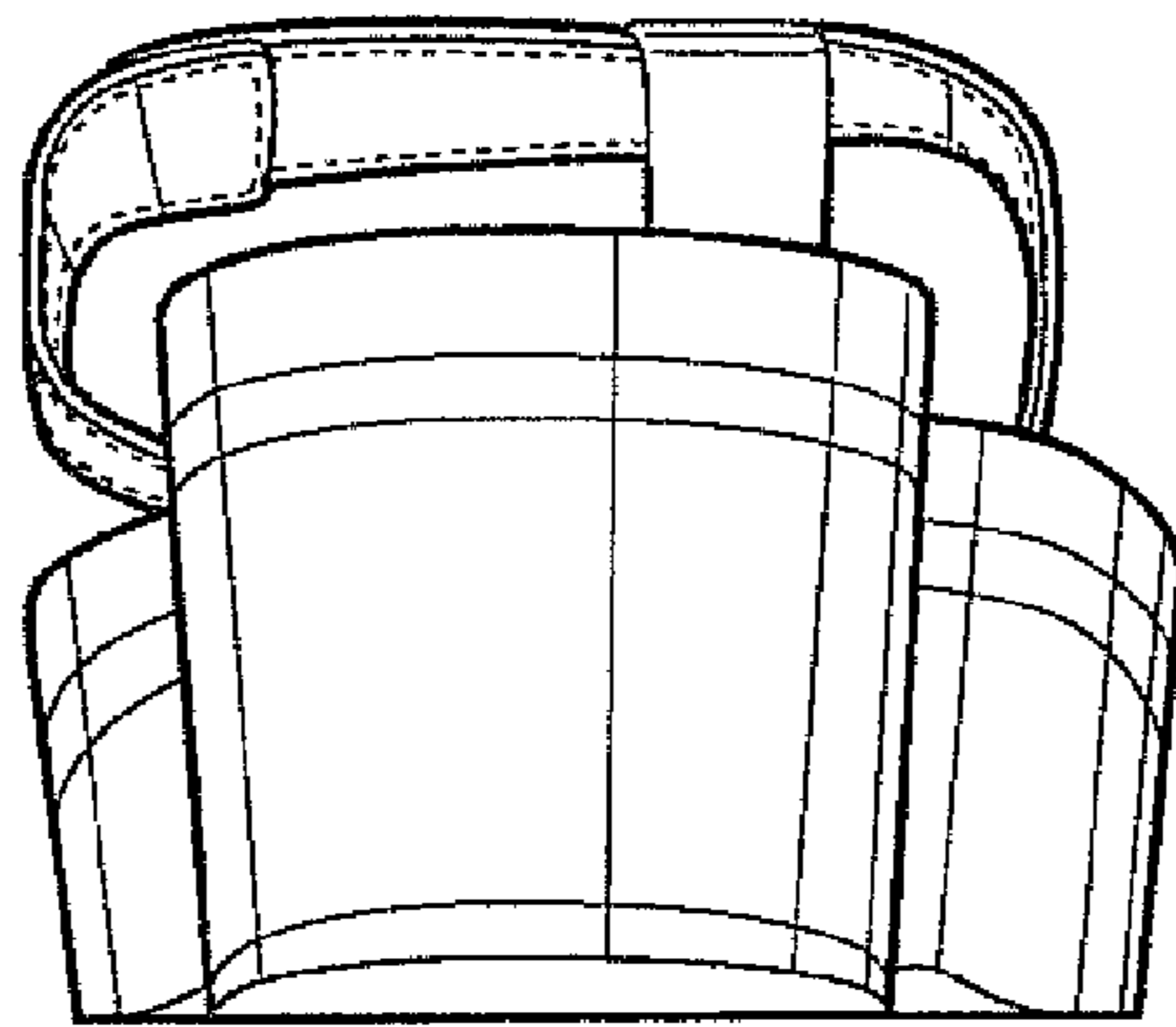


FIG. 10