



US00D602225S

(12) **United States Design Patent**  
**Lute et al.**

(10) **Patent No.:** **US D602,225 S**  
(45) **Date of Patent:** **\*\* Oct. 13, 2009**

(54) **AUTOMATED TELLER MACHINE**

(75) Inventors: **Richard C. Lute**, Mogadore, OH (US);  
**Mark A. Douglas**, North Canton, OH  
(US); **Roy Mleziva**, Canton, OH (US);  
**Donald S. Nelson, Jr.**, Akron, OH (US);  
**Paul D. Magee**, North Canton, OH (US);  
**David A. Barker**, North Canton, OH  
(US)

(73) Assignee: **Diebold Self-Service Systems division**  
**of Diebold, Incorporated**, North  
Canton, OH (US)

(\*\*) Term: **14 Years**

(21) Appl. No.: **29/310,950**

(22) Filed: **Sep. 19, 2008**

**Related U.S. Application Data**

(63) Continuation-in-part of application No. 29/285,147,  
filed on Mar. 22, 2007, now abandoned.

(51) **LOC (9) Cl.** ..... **20-01**

(52) **U.S. Cl.** ..... **D99/28**

(58) **Field of Classification Search** ..... D99/28,  
D99/34-43, 99; D18/3.1-3.3, 4.6; D14/385,  
D14/448, 173, 307, 901, 146, 144, 151, 129-130;  
235/375-381, 100; 705/35, 43; 109/2, 24.1,  
109/50, 53, 66, 83; 106/644; 52/659, 73;  
902/8, 9, 15, 20-21, 30; 340/5.41; 348/150;  
D20/1, 2; D25/16; 361/681, 683, 686, 687,  
361/694; D6/397, 573, 634; D21/329, 369;  
194/202, 379, 381; 206/8, 815

See application file for complete search history.

(56) **References Cited**

**U.S. PATENT DOCUMENTS**

D360,735 S \* 7/1995 Hall ..... D99/28

D411,753 S \* 6/1999 Jobin ..... D99/43  
D411,905 S \* 7/1999 Molander et al. .... D99/28  
D455,889 S \* 4/2002 Jobin ..... D99/43  
D481,516 S \* 10/2003 Magee et al. .... D99/28  
D481,517 S \* 10/2003 Magee et al. .... D99/28  
D485,417 S \* 1/2004 Magee et al. .... D99/28  
D492,082 S \* 6/2004 Magee et al. .... D99/28  
D500,905 S \* 1/2005 Magee et al. .... D99/28  
D525,410 S \* 7/2006 Colley ..... D99/43  
7,284,692 B1 \* 10/2007 Douglass ..... 235/379  
D581,934 S \* 12/2008 Kruse et al. .... D14/454  
D582,125 S \* 12/2008 Kang et al. .... D99/28

\* cited by examiner

*Primary Examiner*—Philip S Hyder

*Assistant Examiner*—Susan E Krakower

(74) *Attorney, Agent, or Firm*—Ralph E. Jocke; Daniel D.  
Wasil; Walker & Jocke

(57) **CLAIM**

We claim the ornamental design for an automated teller  
machine, as shown and described.

**DESCRIPTION**

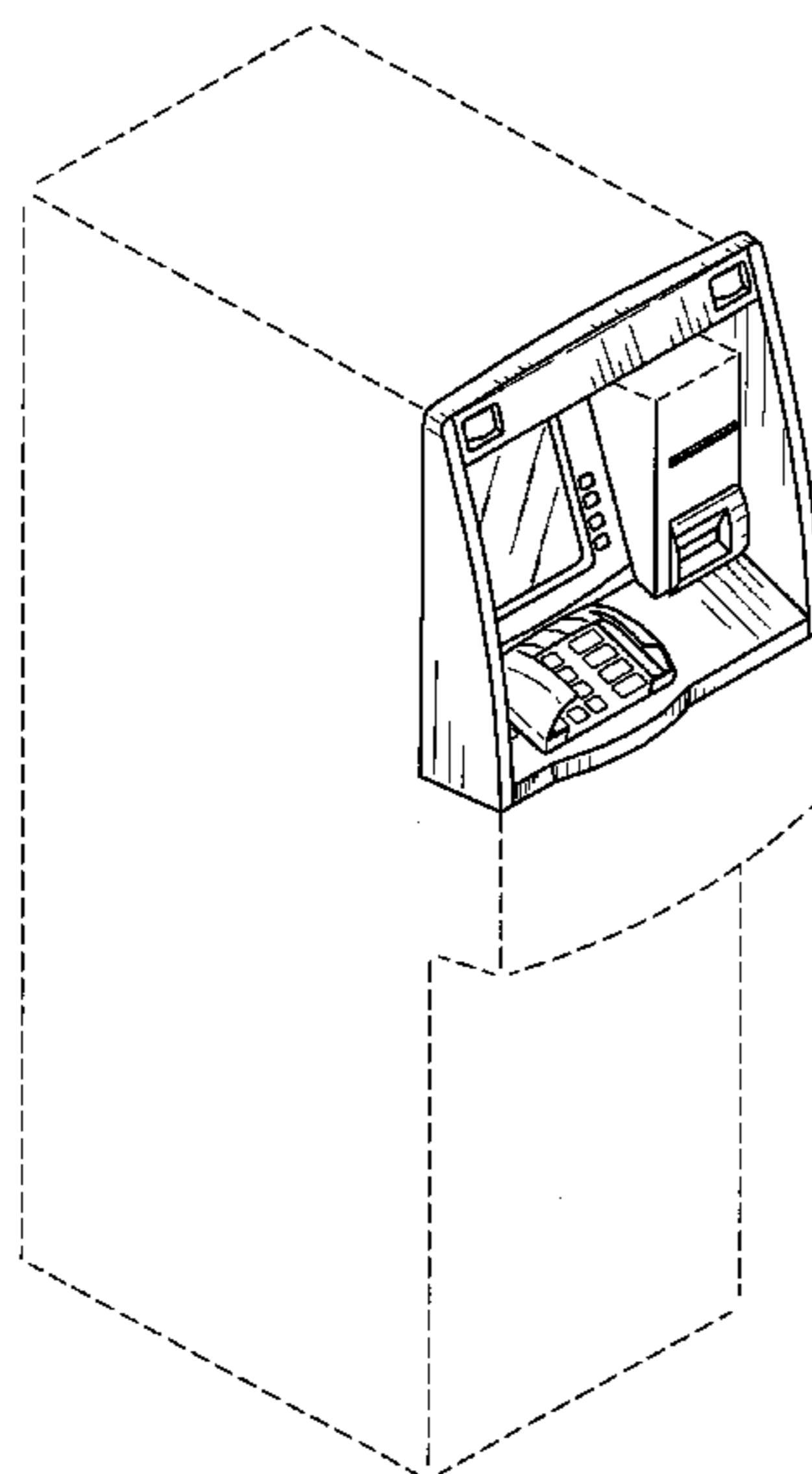
FIG. 1 is a front elevation of an automated teller machine  
showing our new design.

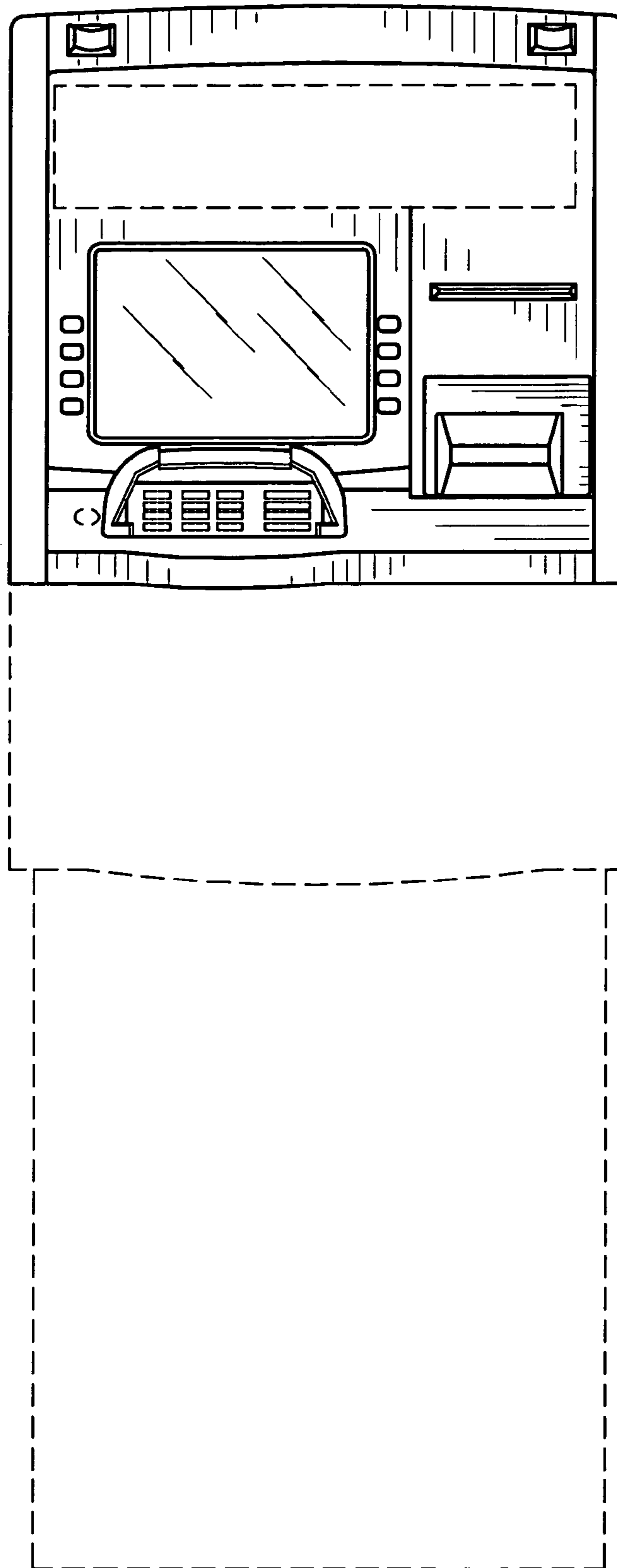
FIG. 2 is a top left perspective view thereof; and,

FIG. 3 is a top right perspective view thereof.

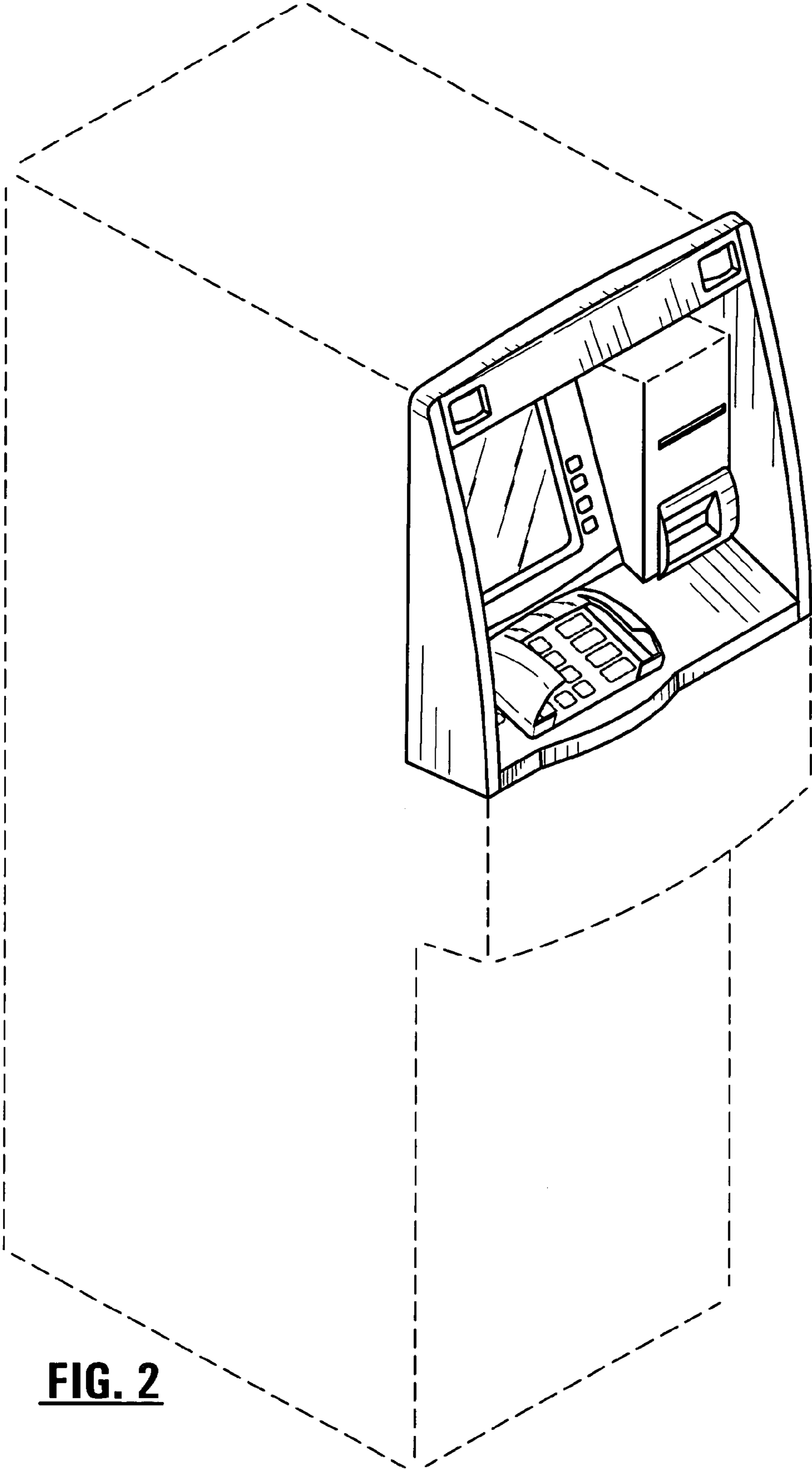
The broken lines in the drawings are for illustration only and  
form no part of the claimed design. The broken line showing  
of each a rectangular portion above the display a keypad, a  
circular element and the housing illustrate environmental ele-  
ments and form no part of the claimed design.

**1 Claim, 3 Drawing Sheets**

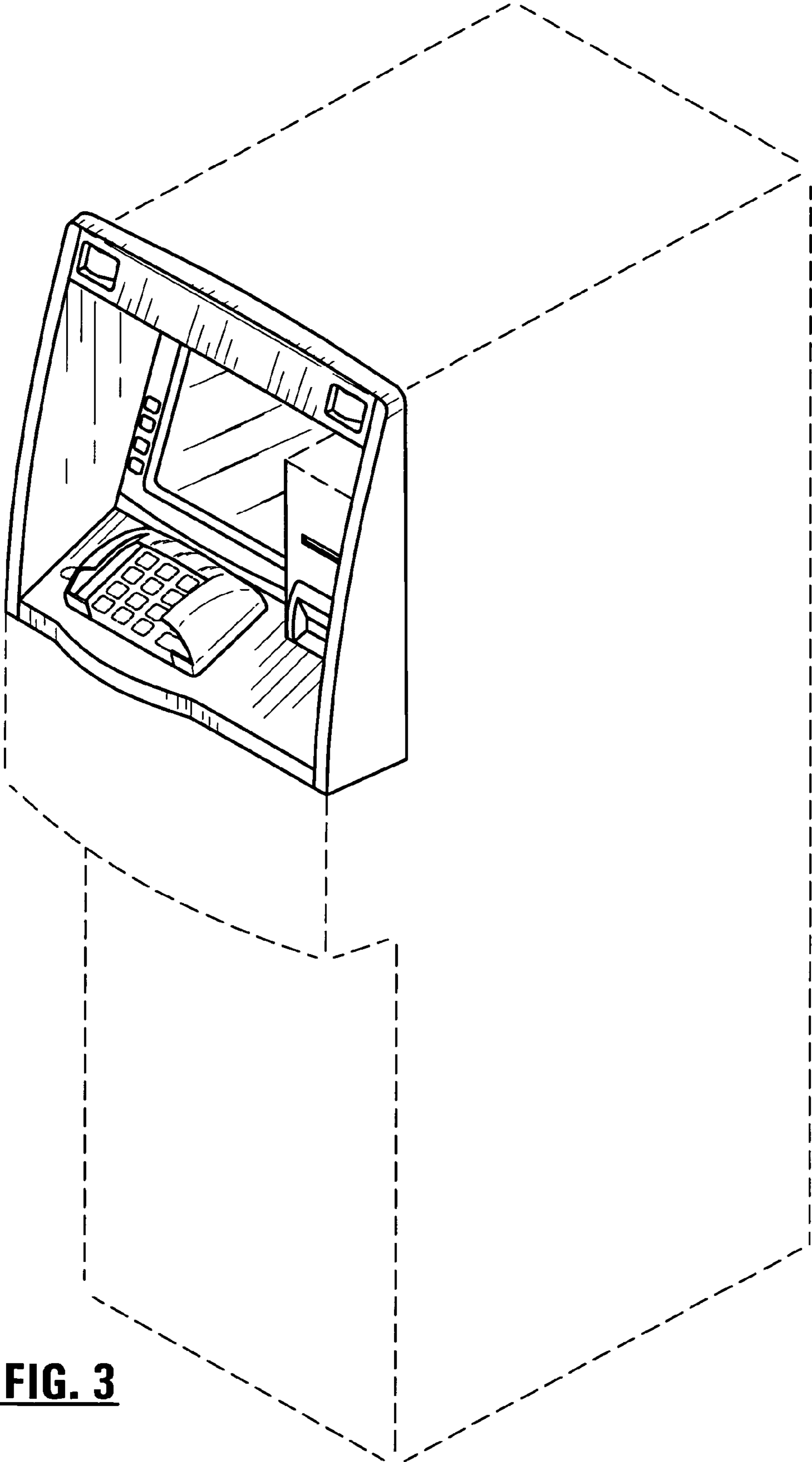




**FIG. 1**



**FIG. 2**



**FIG. 3**