

US00D602224S

(12) **United States Design Patent**  
**Liljedahl**

(10) **Patent No.:** **US D602,224 S**  
(45) **Date of Patent:** **\*\* Oct. 13, 2009**

(54) **SLING**

(75) Inventor: **Barbro Liljedahl**, Luleå (SE)

(73) Assignee: **LIKO Research & Development AB**,  
Lulea (SE)

(\*\*) Term: **14 Years**

(21) Appl. No.: **29/326,618**

(22) Filed: **Oct. 21, 2008**

(30) **Foreign Application Priority Data**

Apr. 23, 2008 (EM) ..... 000922562-0002

(51) **LOC (9) Cl.** ..... **12-05**

(52) **U.S. Cl.** ..... **D34/28**

(58) **Field of Classification Search** ..... D34/28,  
D34/35, 33; 5/81.1 R, 83.1, 84.1, 89.1, 88.1;  
D24/188, 190

See application file for complete search history.

(56) **References Cited**

**U.S. PATENT DOCUMENTS**

2,903,238	A *	9/1959	Flandrick	.....	254/124
3,407,413	A *	10/1968	James	.....	5/87.1
4,070,721	A *	1/1978	Stasko	.....	5/89.1
4,742,588	A *	5/1988	James	.....	5/83.1
4,944,057	A *	7/1990	Shaw	.....	5/89.1
D355,290	S *	2/1995	Parker	.....	D34/28

5,396,670	A *	3/1995	Firebaugh et al.	.....	5/89.1
5,530,975	A *	7/1996	Firebaugh et al.	.....	5/81.1 T
6,289,534	B1 *	9/2001	Hakamiun et al.	.....	5/89.1
6,581,222	B1 *	6/2003	Liljedahl	.....	5/89.1
D486,287	S *	2/2004	Liljedahl	.....	D34/28

\* cited by examiner

*Primary Examiner*—Cynthia E Ramirez

(74) *Attorney, Agent, or Firm*—Dinsmore & Shohl LLP

(57) **CLAIM**

The ornamental design for a sling, as shown and described.

**DESCRIPTION**

FIG. 1 is a front view of the sling of the present invention in a flat, unassembled position;

FIG. 2 is a front view of the sling of the present invention in a flat, unassembled position, with the straps folded down;

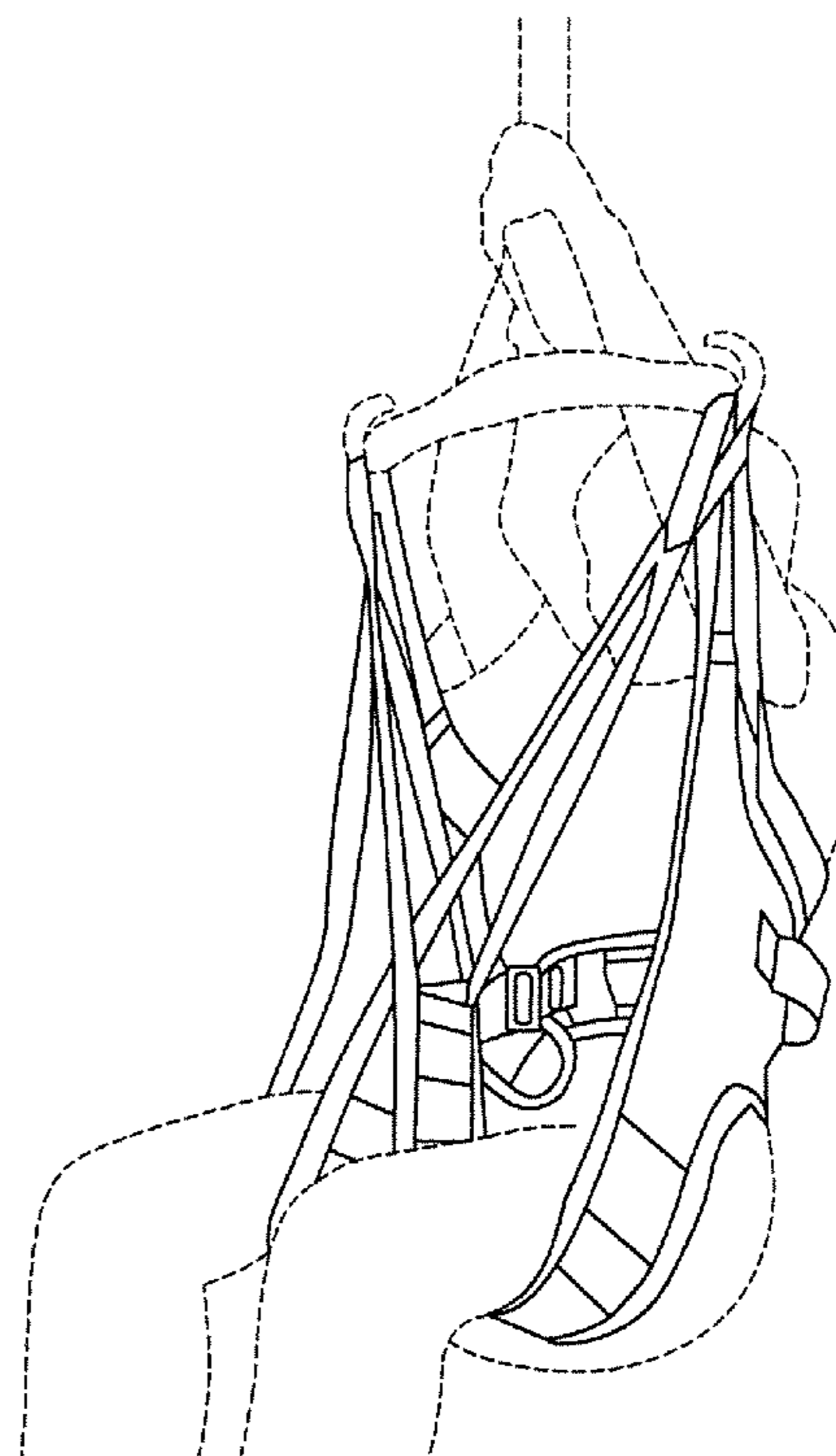
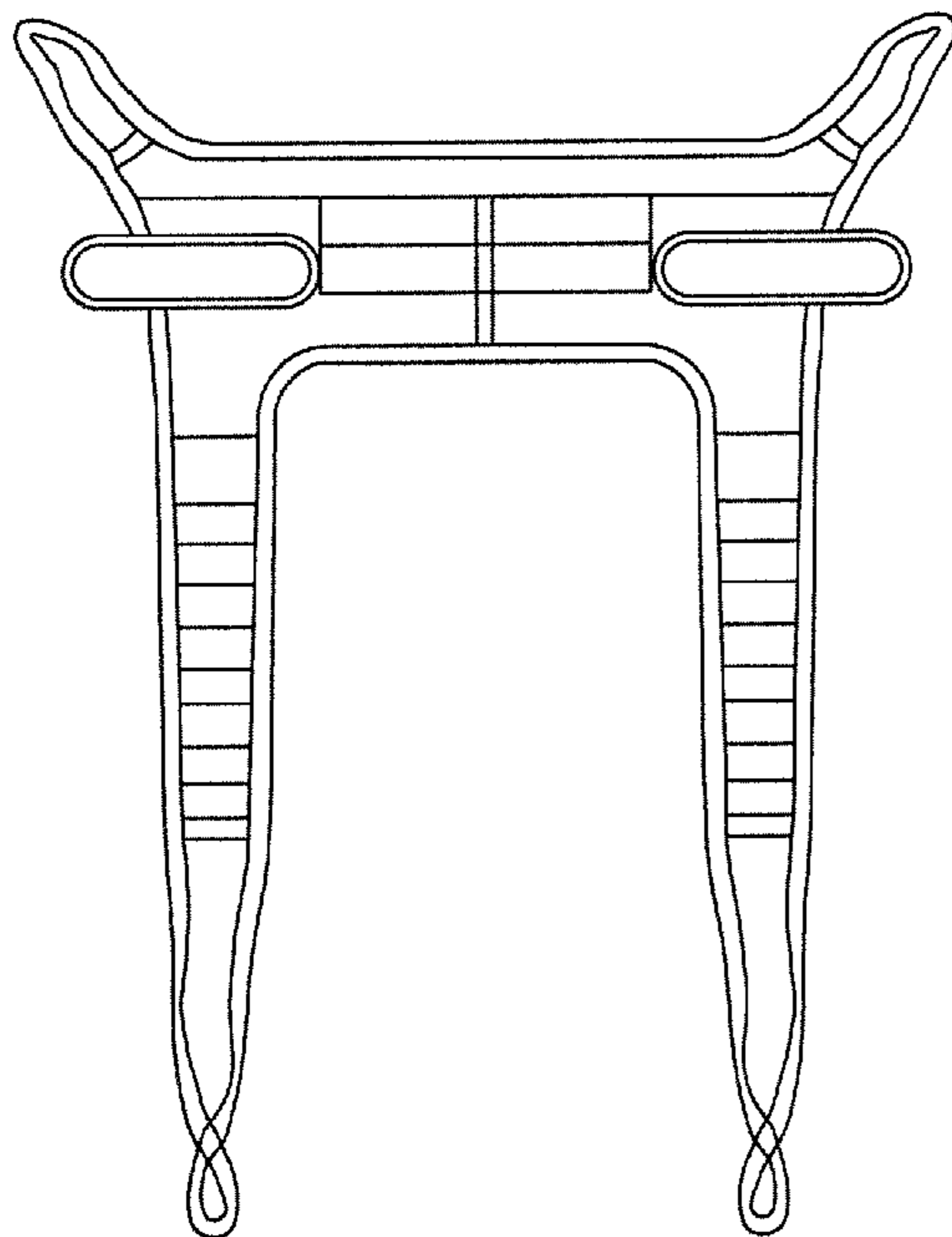
FIG. 3 is a back view of the sling of the present invention in an assembled position, in use;

FIG. 4 is a back view of the sling of the present invention in a flat, unassembled position;

FIG. 5 is a front perspective view of the sling of the present invention in an assembled position, in use; and,

FIG. 6 is a side perspective view of the sling of the present invention in an assembled position, in use.

**1 Claim, 6 Drawing Sheets**



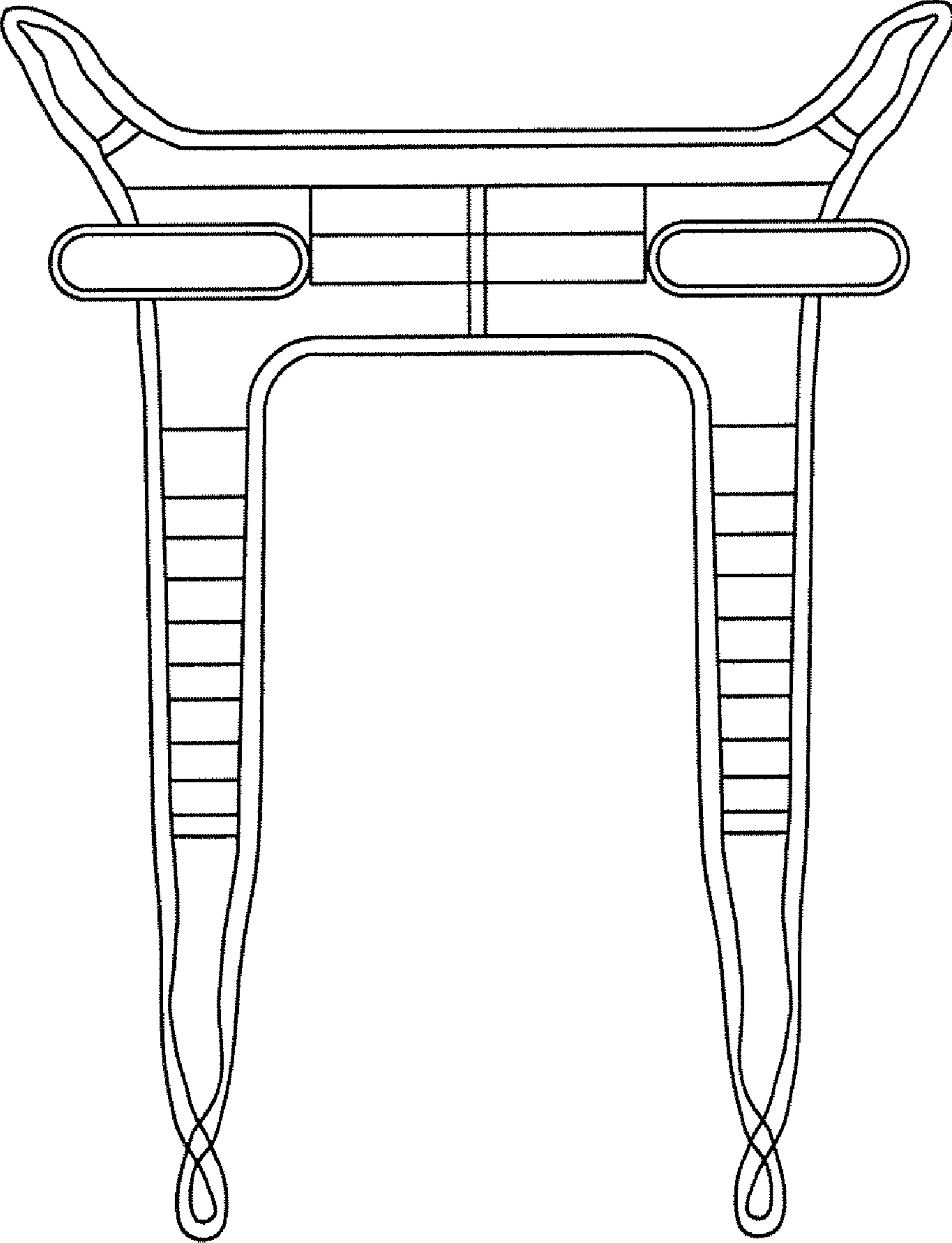


FIG. 1

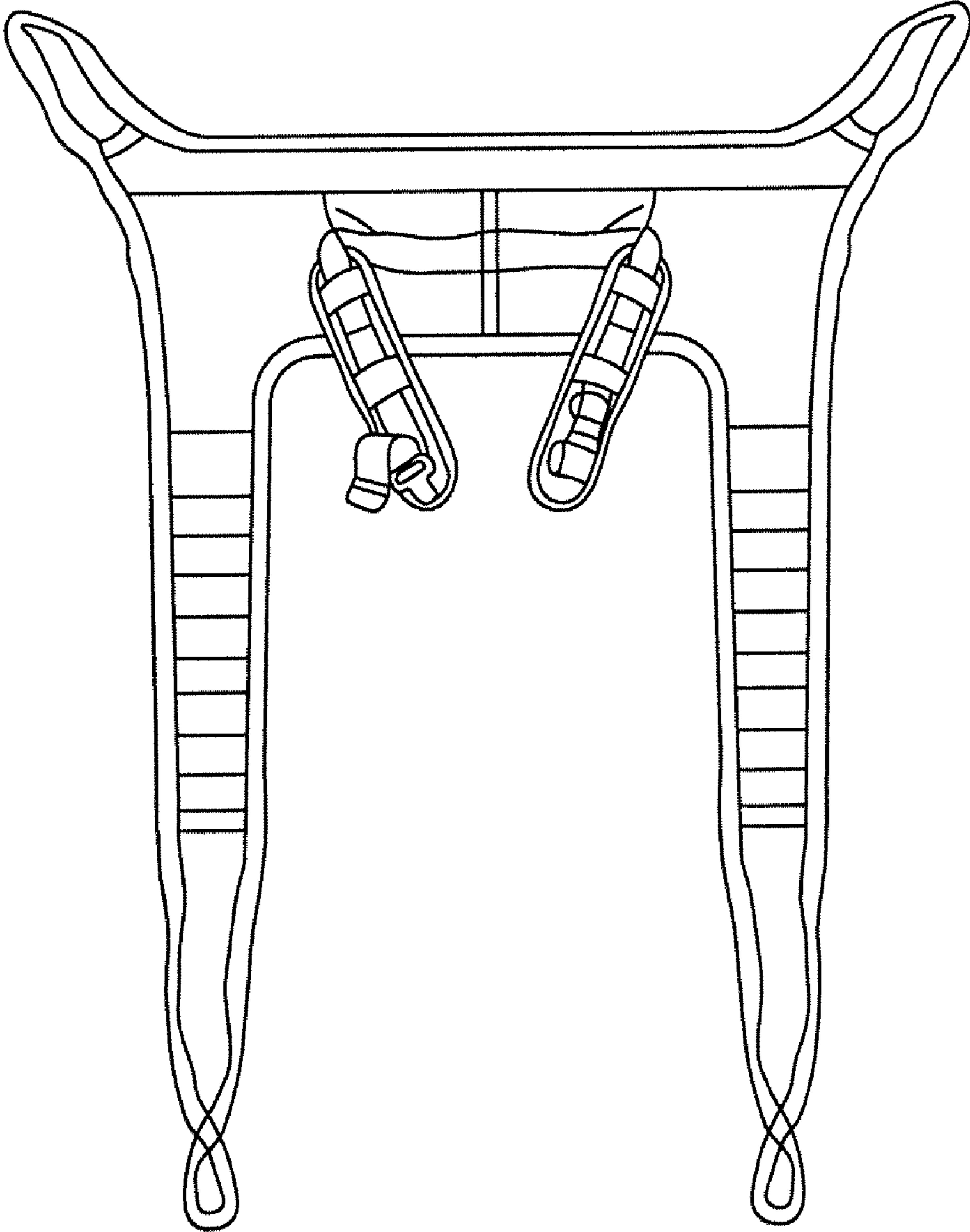


FIG. 2

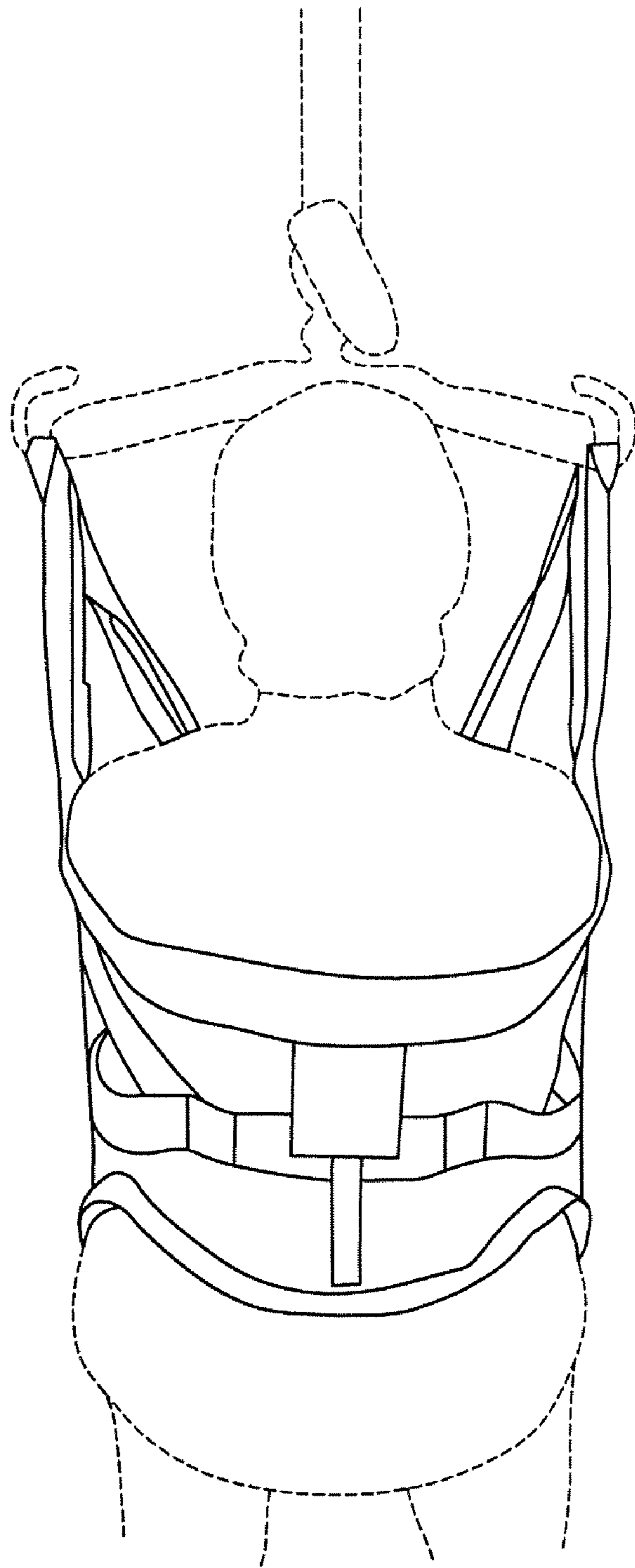


FIG. 3

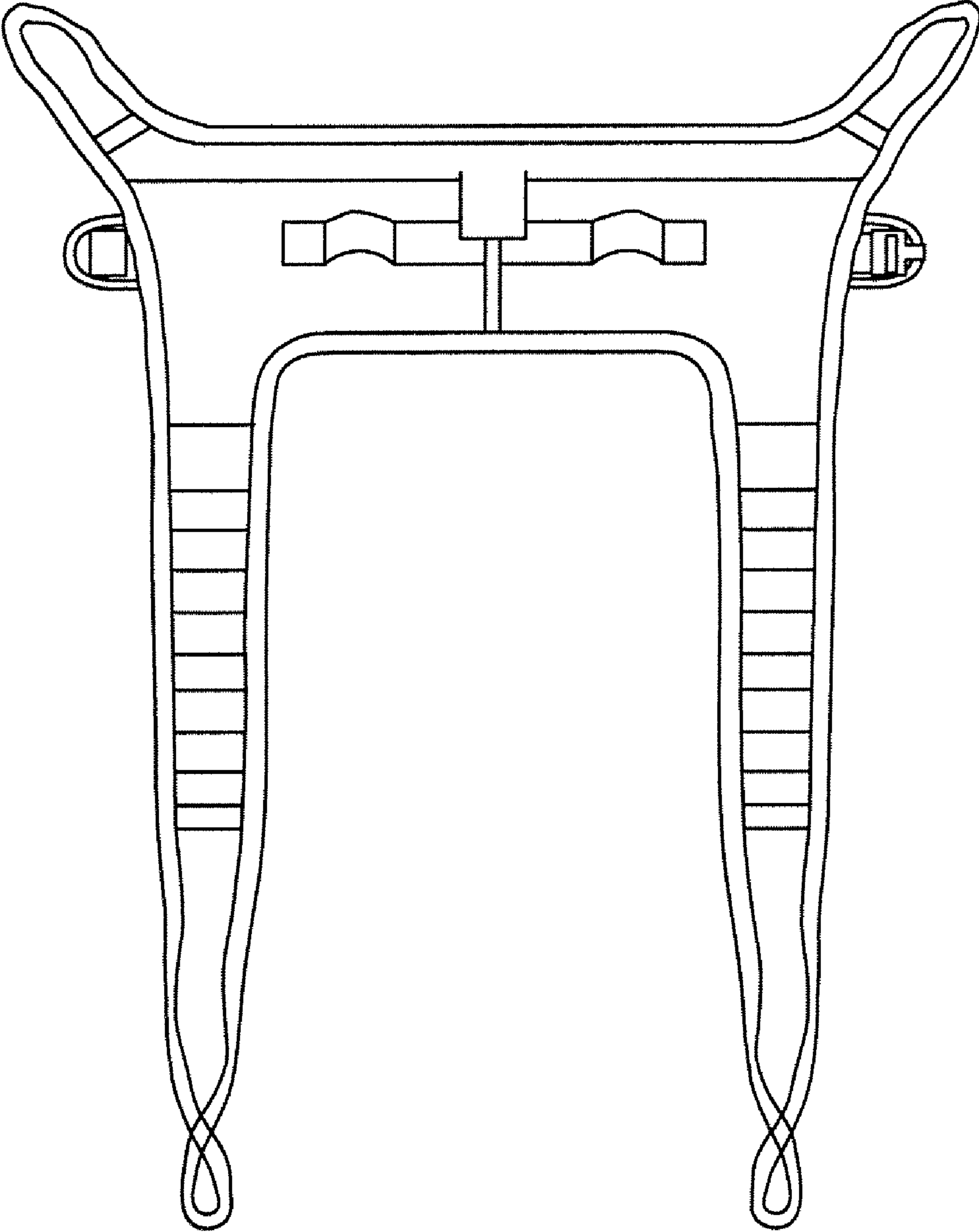


FIG. 4

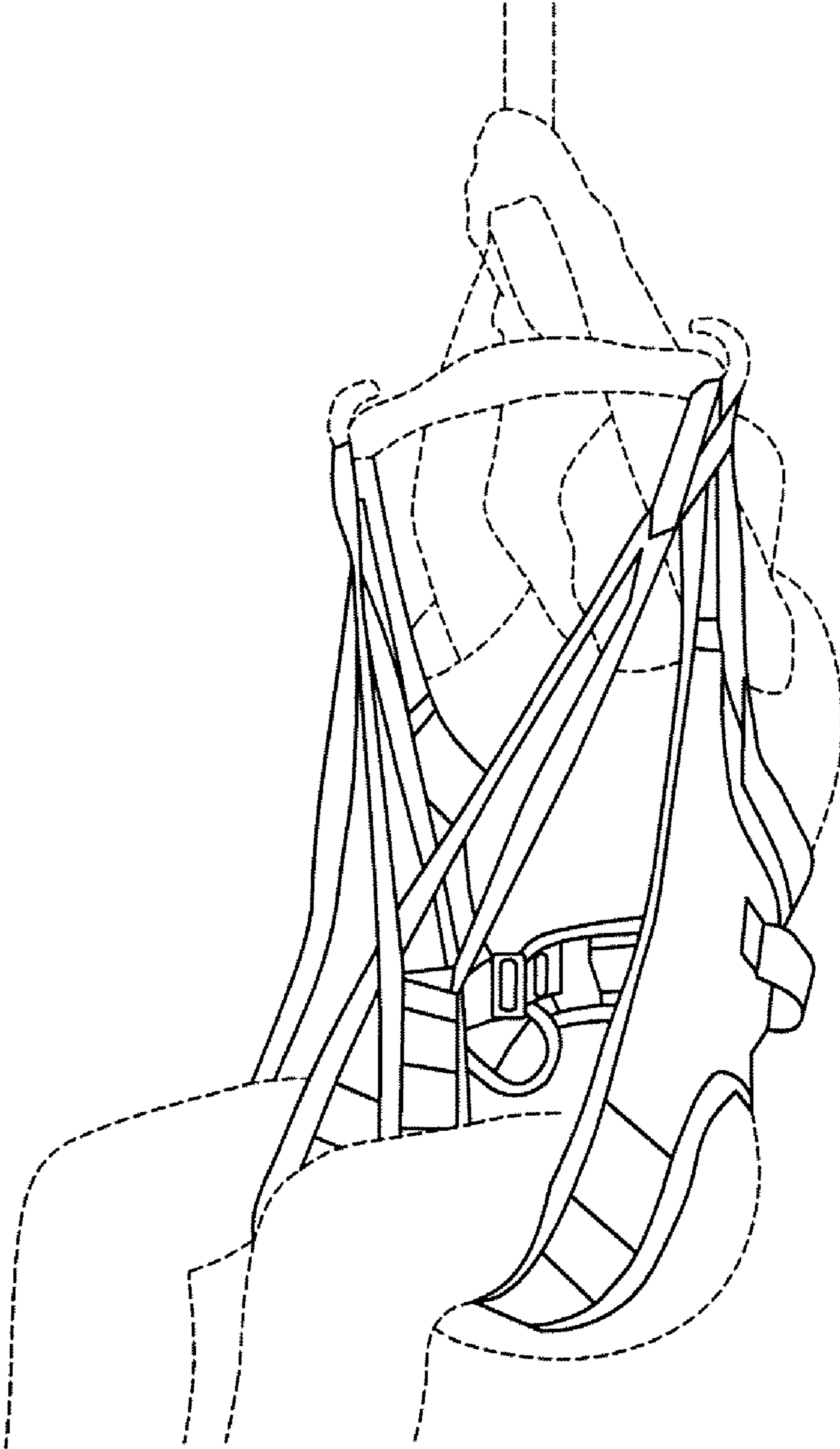


FIG. 5

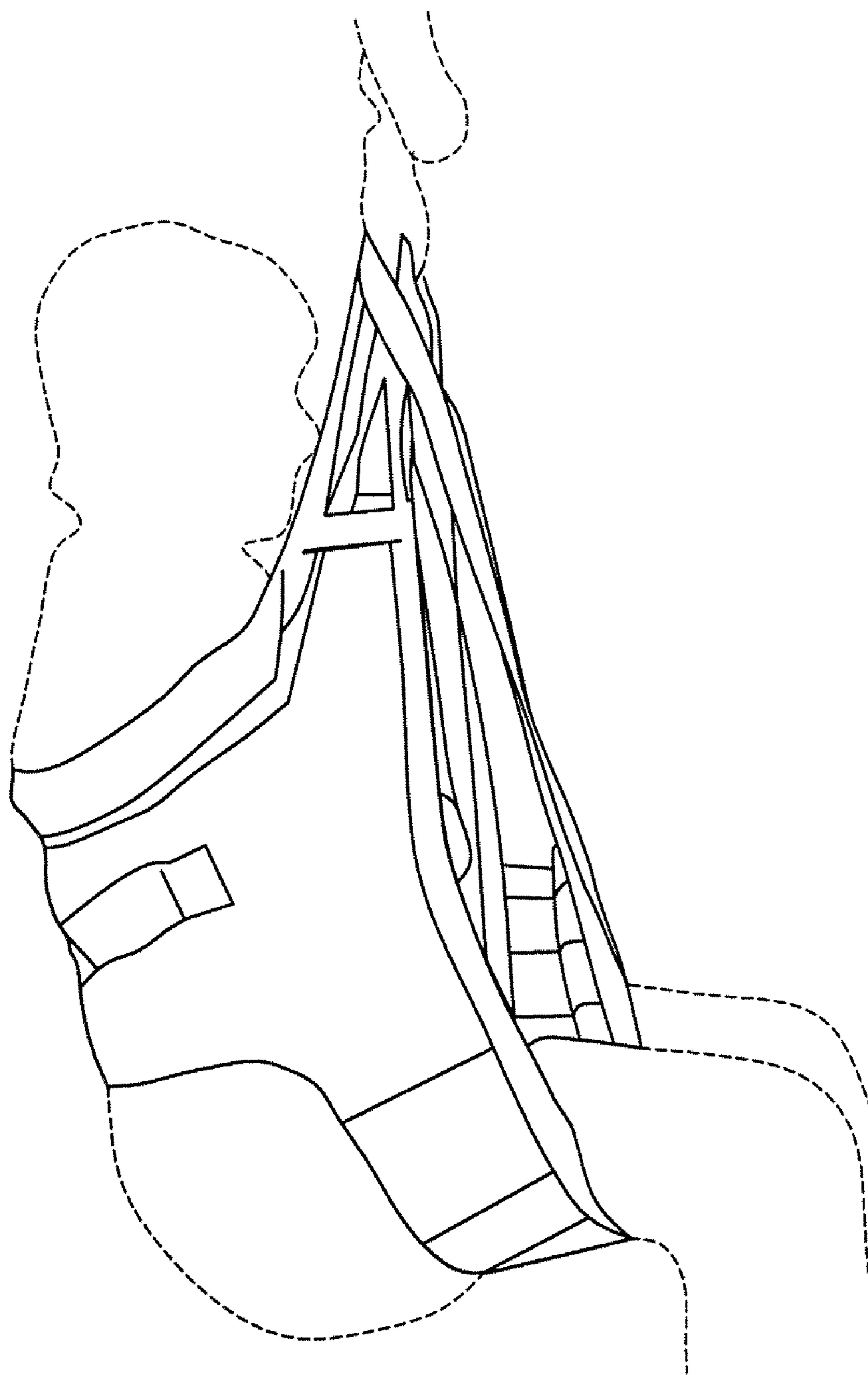


FIG. 6