



US00D602222S

(12) **United States Design Patent**
Stanford et al.

(10) **Patent No.:** **US D602,222 S**

(45) **Date of Patent:** **** Oct. 13, 2009**

(54) **COMPOSTER**

(76) Inventors: **Carl R. Stanford**, 2153 N. 1300 West,
Clearfield, UT (US) 84015; **Kent Ashby**,
1353 Canyon Rd., Logan, UT (US)
84321

(**) Term: **14 Years**

(21) Appl. No.: **29/328,450**

(22) Filed: **Nov. 24, 2008**

(51) **LOC (9) Cl.** **09-09**

(52) **U.S. Cl.** **D34/1**

(58) **Field of Classification Search** D34/1,
D34/5, 6, 7, 8, 9, 10, 11; 220/908-911, 500,
220/555, 675

See application file for complete search history.

(56) **References Cited**

U.S. PATENT DOCUMENTS

D333,713 S * 3/1993 Blakemore D34/1
D340,559 S * 10/1993 Taylor D34/1

D352,580 S * 11/1994 Cook D34/1
D362,524 S * 9/1995 Fink D34/1
D386,904 S * 12/1997 Bradshaw, Jr. D3/273
D399,623 S * 10/1998 Kearney D34/6

* cited by examiner

Primary Examiner—Cynthia E Ramirez

(74) *Attorney, Agent, or Firm*—Workman Nydegger

(57) **CLAIM**

The ornamental design for a composter, as shown and described.

DESCRIPTION

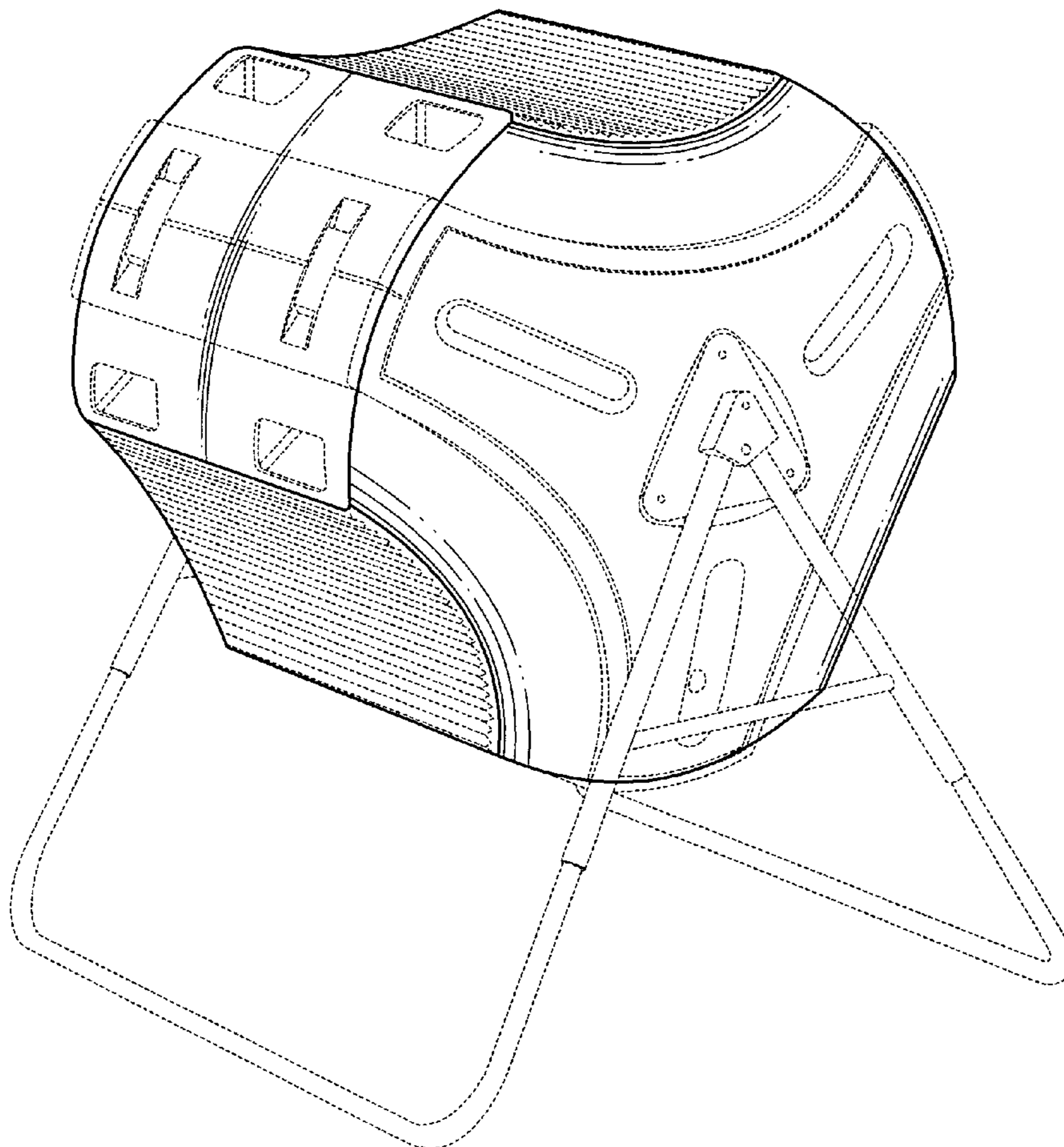
FIG. 1 is a front perspective view of the composter;

FIG. 2 is a front view of the composter, with the rear view being a mirror image thereof; and,

FIG. 3 is an upper perspective view of the composter.

The broken lines shown in the figures are for illustrative purposes only and form no part of the claimed design.

1 Claim, 3 Drawing Sheets



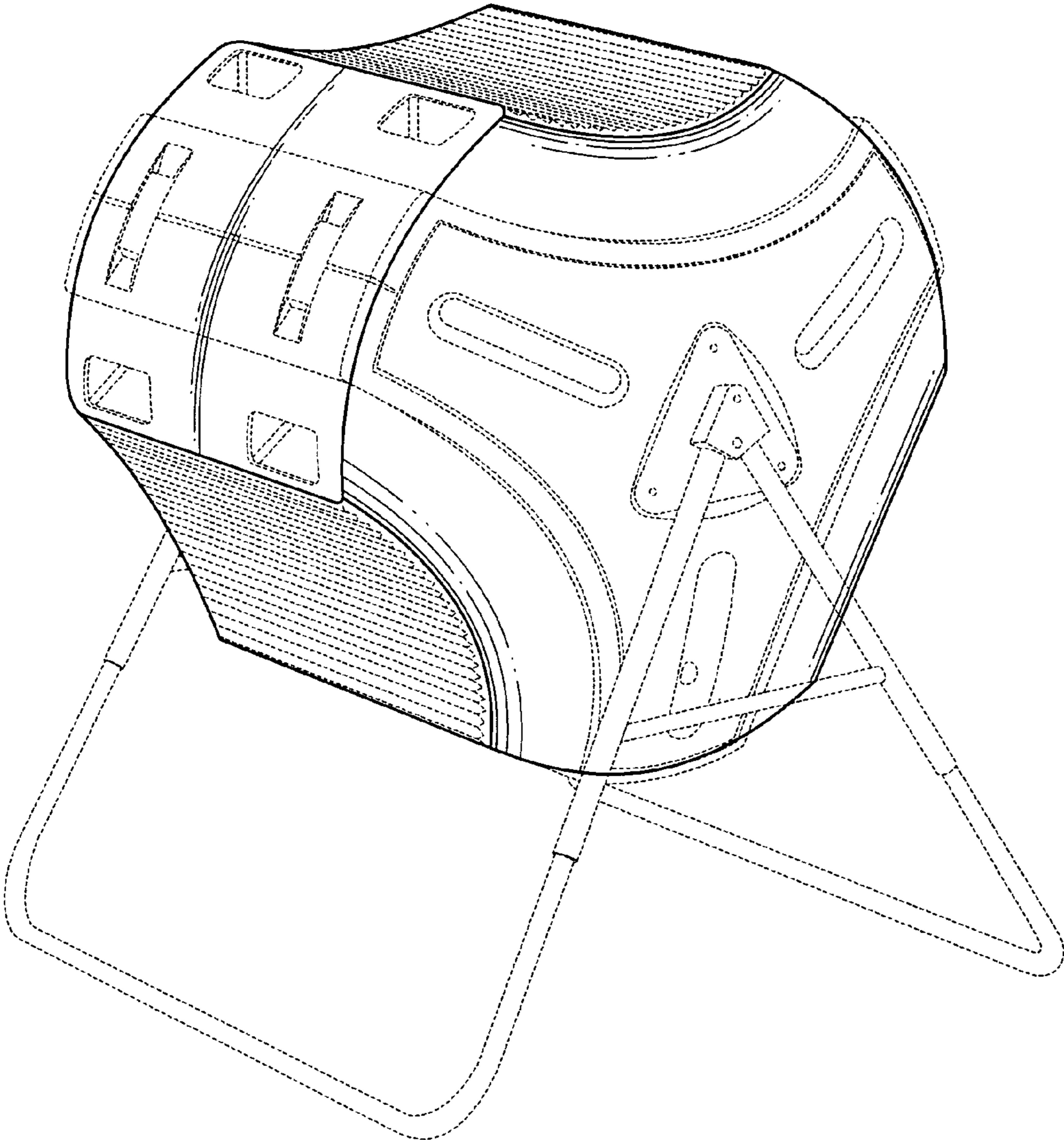


FIG. 1

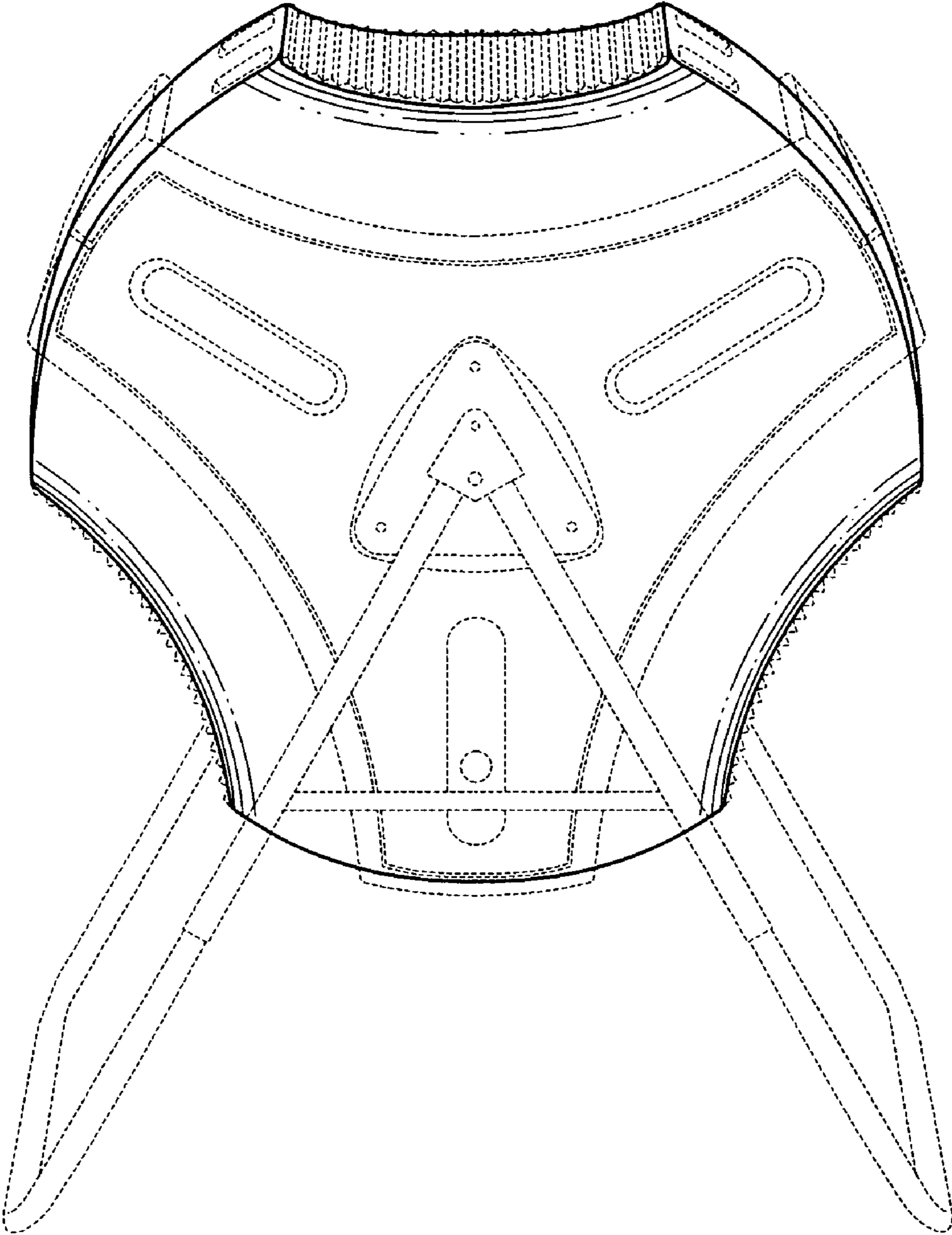


FIG. 2

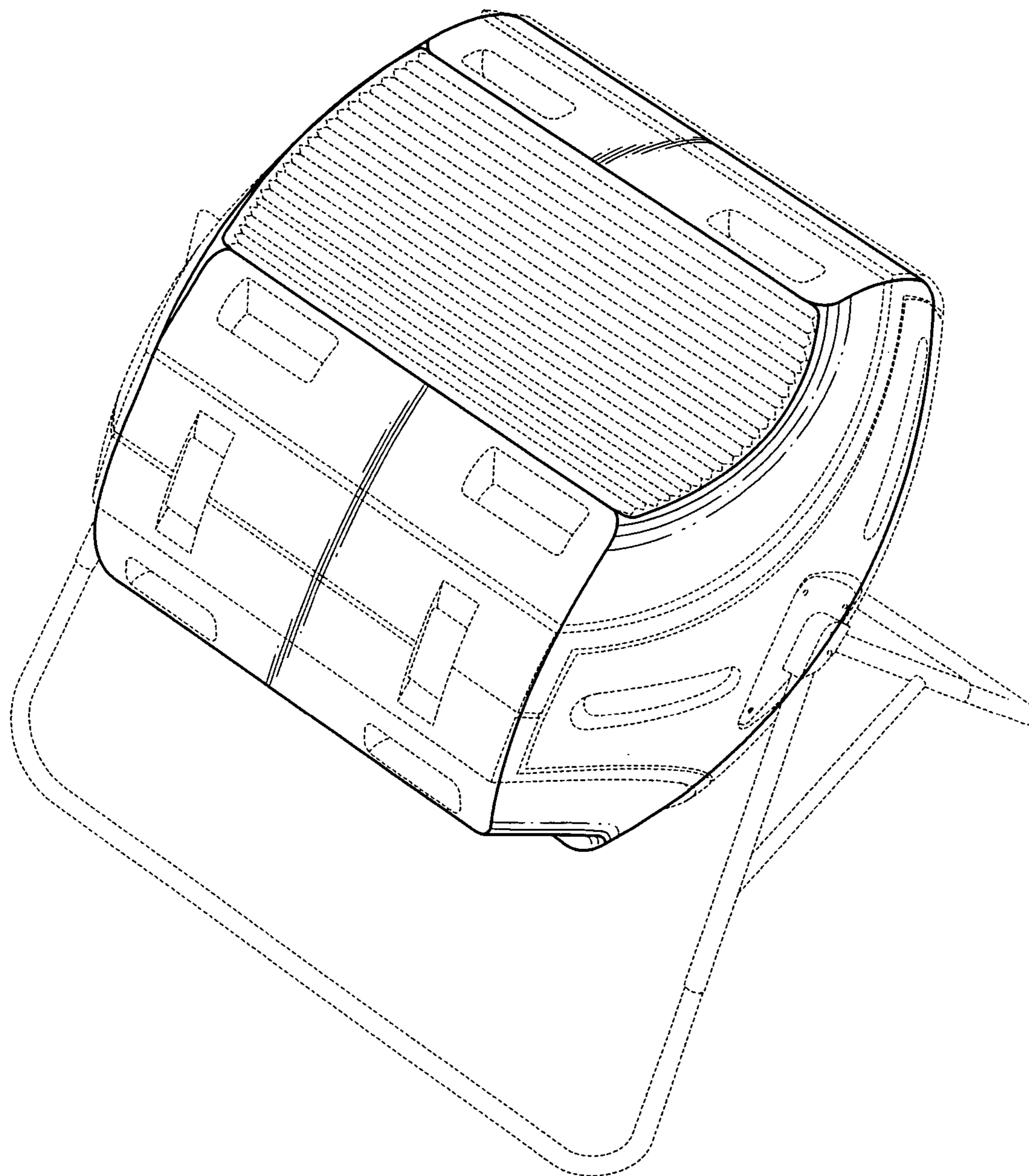


FIG. 3