



US00D602221S

(12) **United States Design Patent**
Skalka

(10) **Patent No.:** **US D602,221 S**
(45) **Date of Patent:** **** Oct. 13, 2009**

- (54) **TRASH CAN RECEPTACLE**
- (75) Inventor: **Gerald Skalka**, Potomac, MD (US)
- (73) Assignee: **Victor Stanley, Inc.**, Dunkirk, MD (US)
- (**) Term: **14 Years**
- (21) Appl. No.: **29/309,358**
- (22) Filed: **Jul. 30, 2008**

D460,592 S	7/2002	Skalka	
D461,939 S	8/2002	Skalka	
D483,537 S	12/2003	Skalka	
D488,901 S *	4/2004	Skalka D34/7
D542,993 S	5/2007	Skalka	
D553,821 S	10/2007	Skalka	
D561,967 S *	2/2008	Skalka D34/1
D570,065 S *	5/2008	Weimer et al. D34/6
D573,766 S *	7/2008	Skalka D34/1

* cited by examiner

Primary Examiner—Cynthia E Ramirez
(74) *Attorney, Agent, or Firm*—Jacobson Holman PLLC

Related U.S. Application Data

- (63) Continuation-in-part of application No. 29/293,534, filed on Nov. 30, 2007, and a continuation-in-part of application No. 29/287,117, filed on Jun. 28, 2007, now Pat. No. Des. 561,967, and a continuation-in-part of application No. 29/273,606, filed on Mar. 9, 2007, now Pat. No. Des. 573,769, and a continuation-in-part of application No. 29/273,584, filed on Mar. 9, 2007, now Pat. No. Des. 586,062, which is a continuation-in-part of application No. 29/267,152, filed on Oct. 6, 2006, now Pat. No. Des. 573,766, and a continuation-in-part of application No. 29/253,729, filed on Feb. 13, 2006, now Pat. No. Des. 553,821, which is a continuation-in-part of application No. 29/235,386, filed on Aug. 2, 2005, now Pat. No. Des. 542,993.

- (51) **LOC (9) Cl.** **09-09**
- (52) **U.S. Cl.** **D34/1; D34/5**
- (58) **Field of Classification Search** **D34/1,**
D34/5, 6, 7, 8, 9, 10, 11; 220/908, 908.1,
220/910, 911

See application file for complete search history.

(56) **References Cited**

U.S. PATENT DOCUMENTS

- D417,053 S * 11/1999 Skalka D34/6
- D448,905 S 10/2001 Skalka

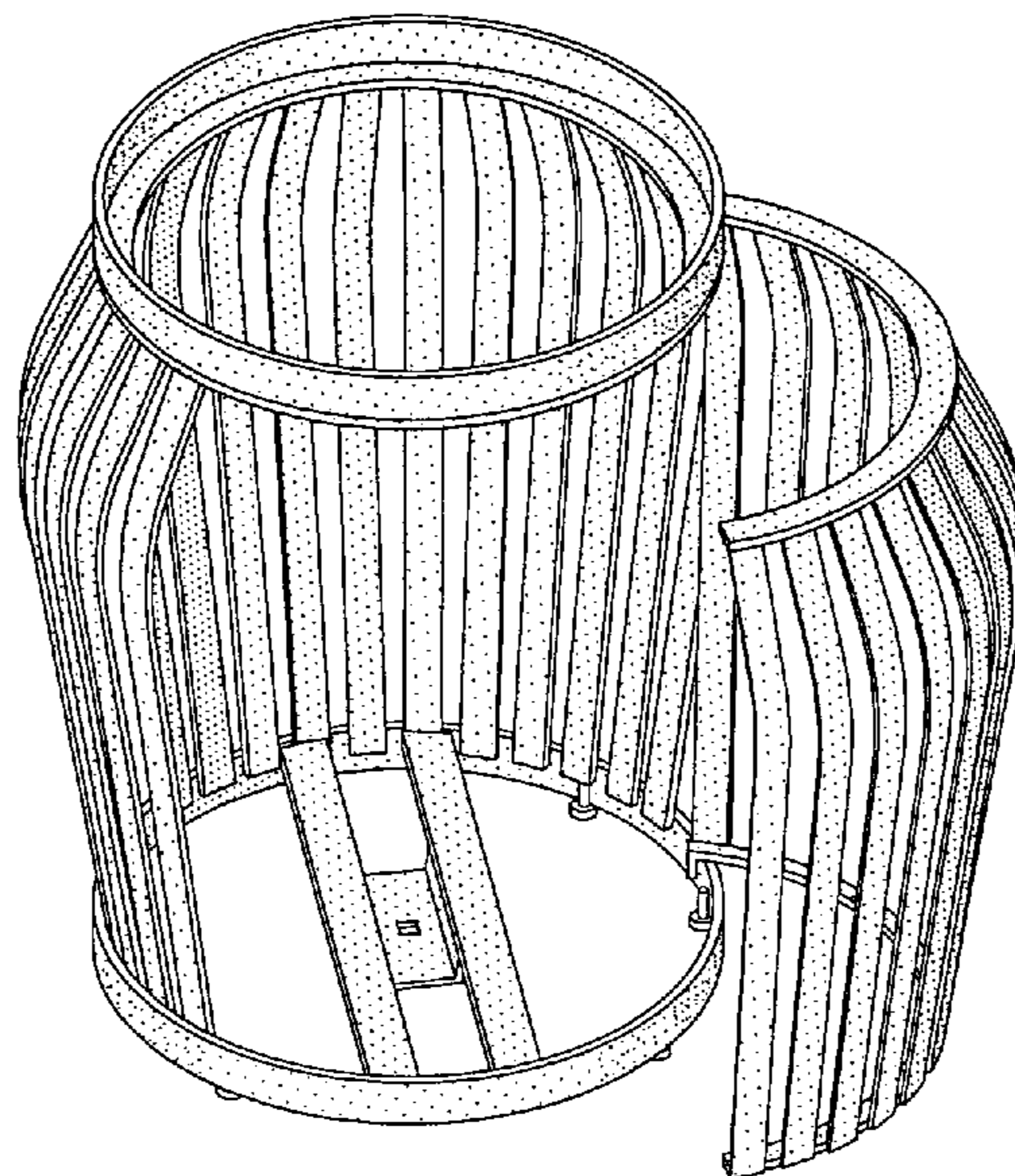
(57) **CLAIM**

The ornamental design for a multi-container trash can receptacle, as shown and described.

DESCRIPTION

- FIG. 1 is an isometric view of a trash can receptacle showing my new design, with the door in its open position.
- FIG. 2 is an isometric view of the trash can receptacle of FIG. 1, with the door in its closed position.
- FIG. 3 is a front elevational view of the trash can receptacle of FIG. 1.
- FIG. 4 is a right side elevational view of the trash can receptacle of FIG. 6.
- FIG. 5 is a rear elevational view of the trash can receptacle of FIG. 6.
- FIG. 6 is a left side elevational view of the trash can receptacle of FIG. 6.
- FIG. 7 is a top plan view of the trash can receptacle of FIG. 1; and,
- FIG. 8 is a bottom plan view of the trash can receptacle of FIG. 1.

1 Claim, 4 Drawing Sheets



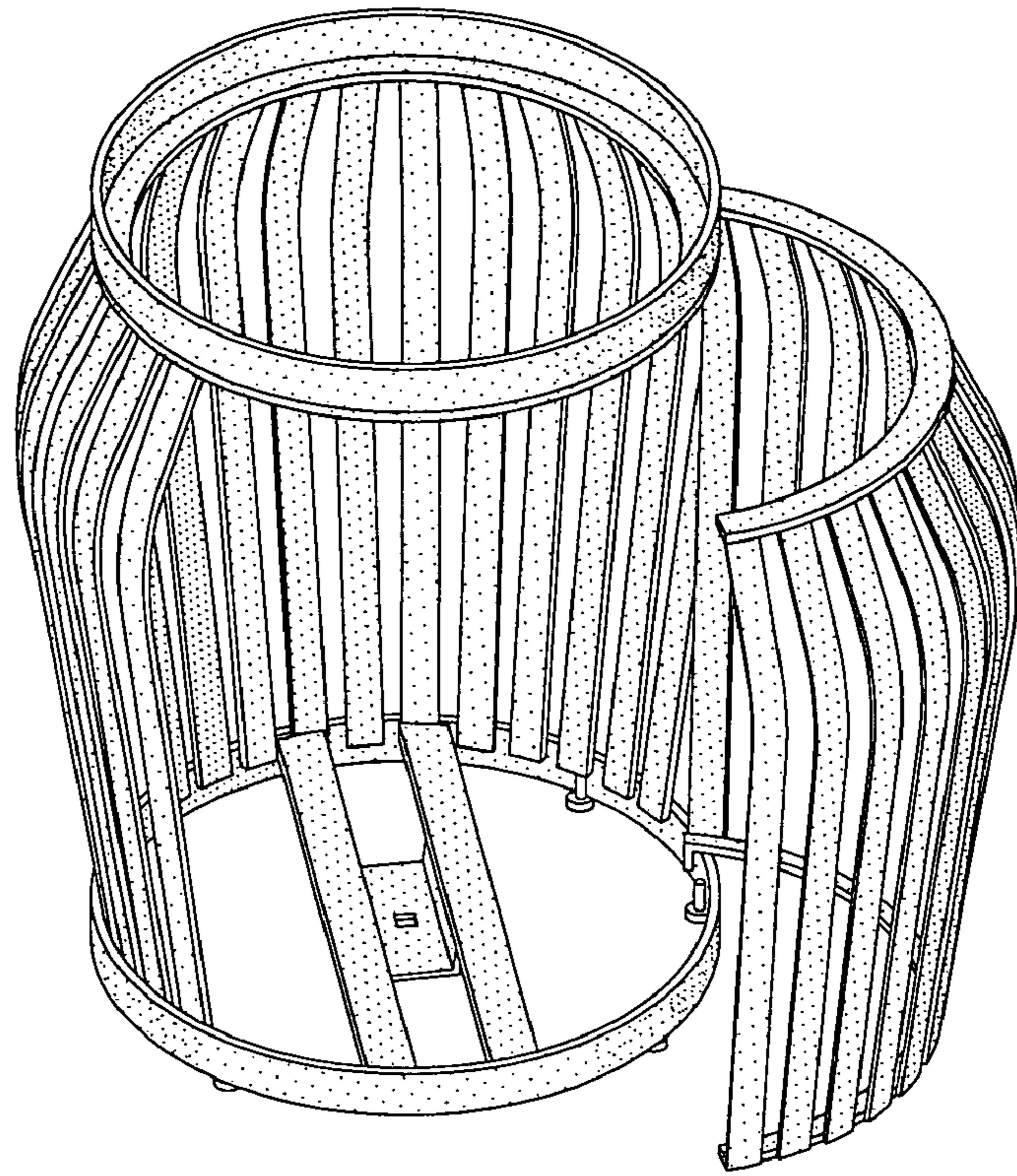


FIG. 1

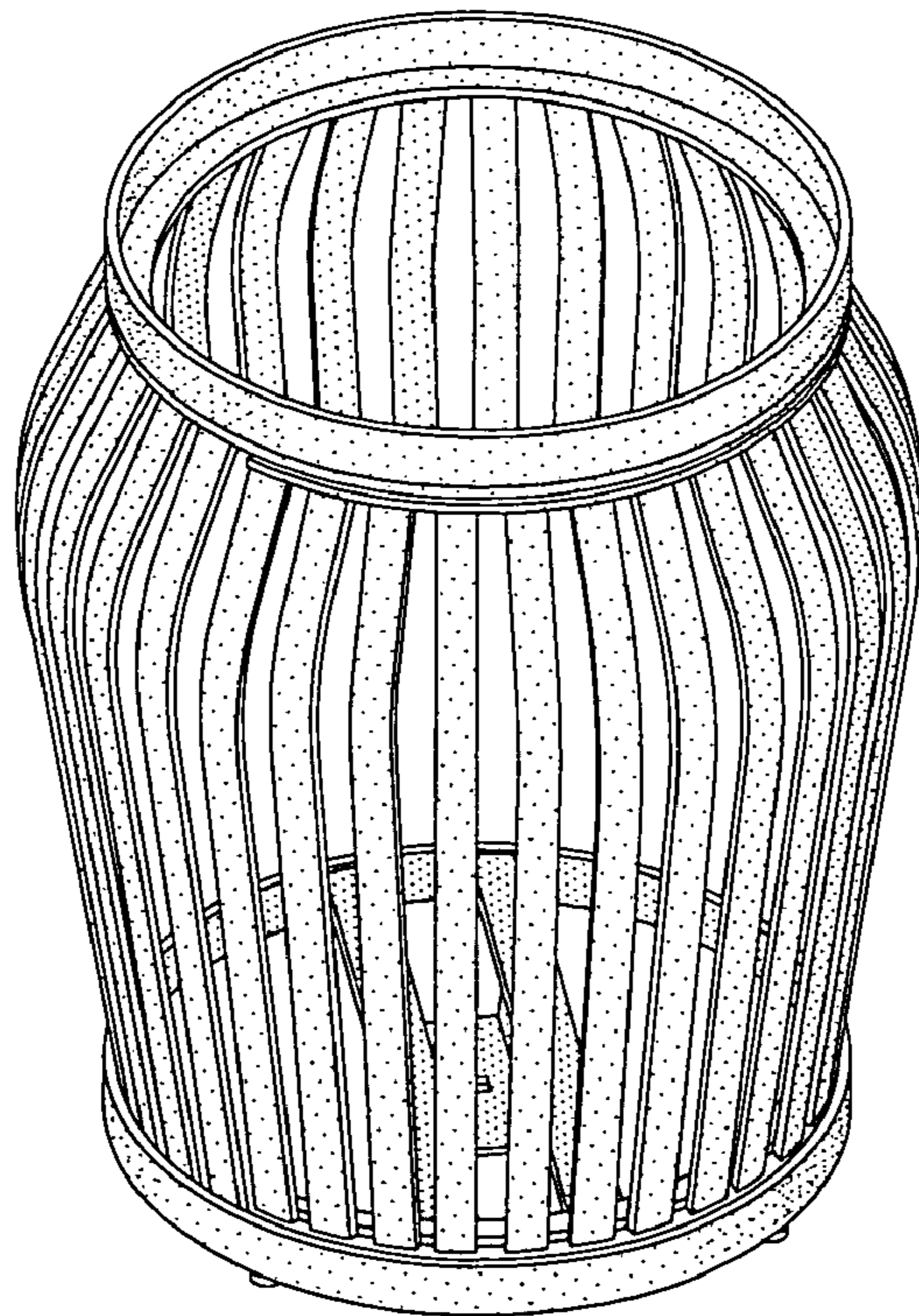


FIG. 2

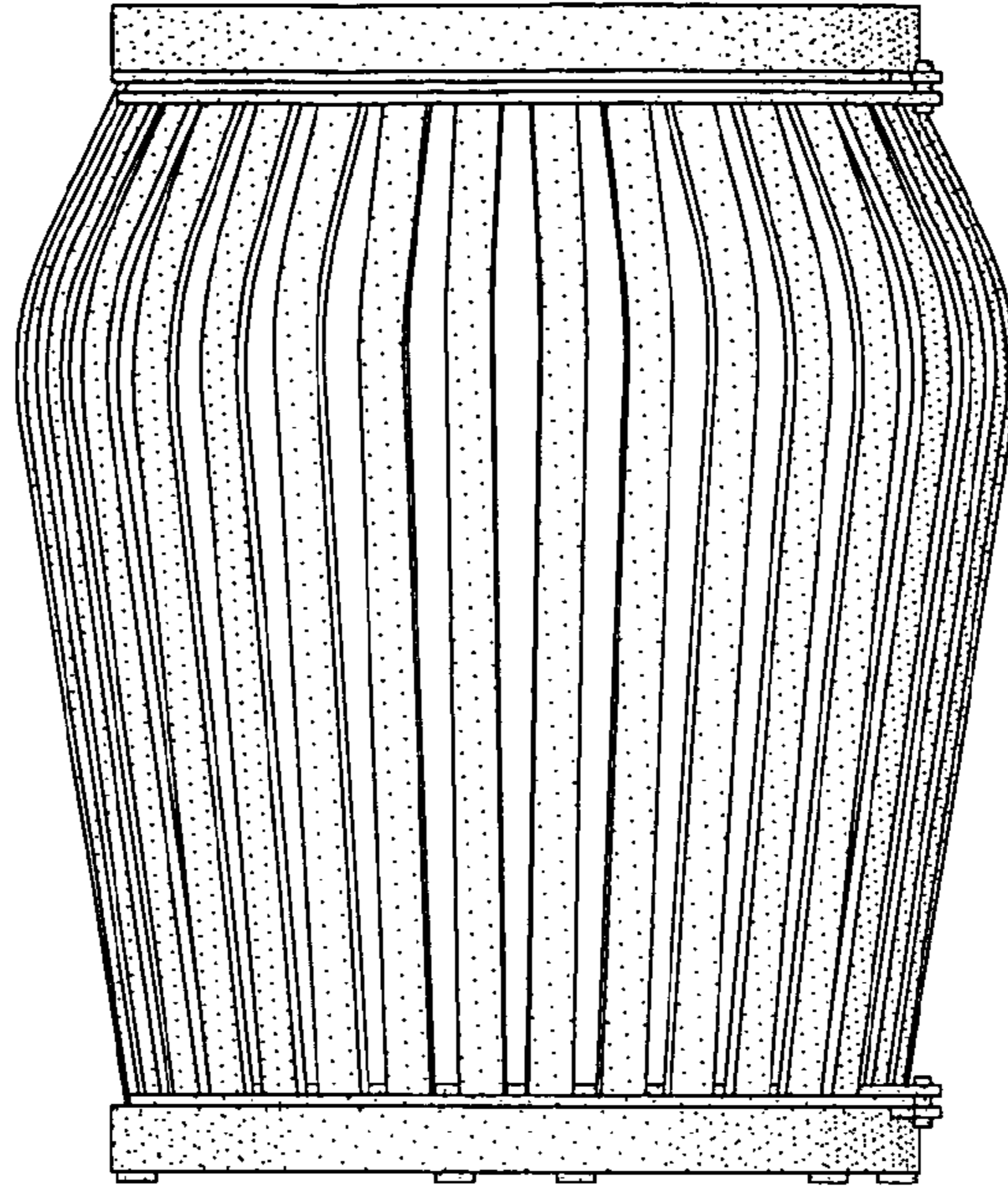


FIG. 3

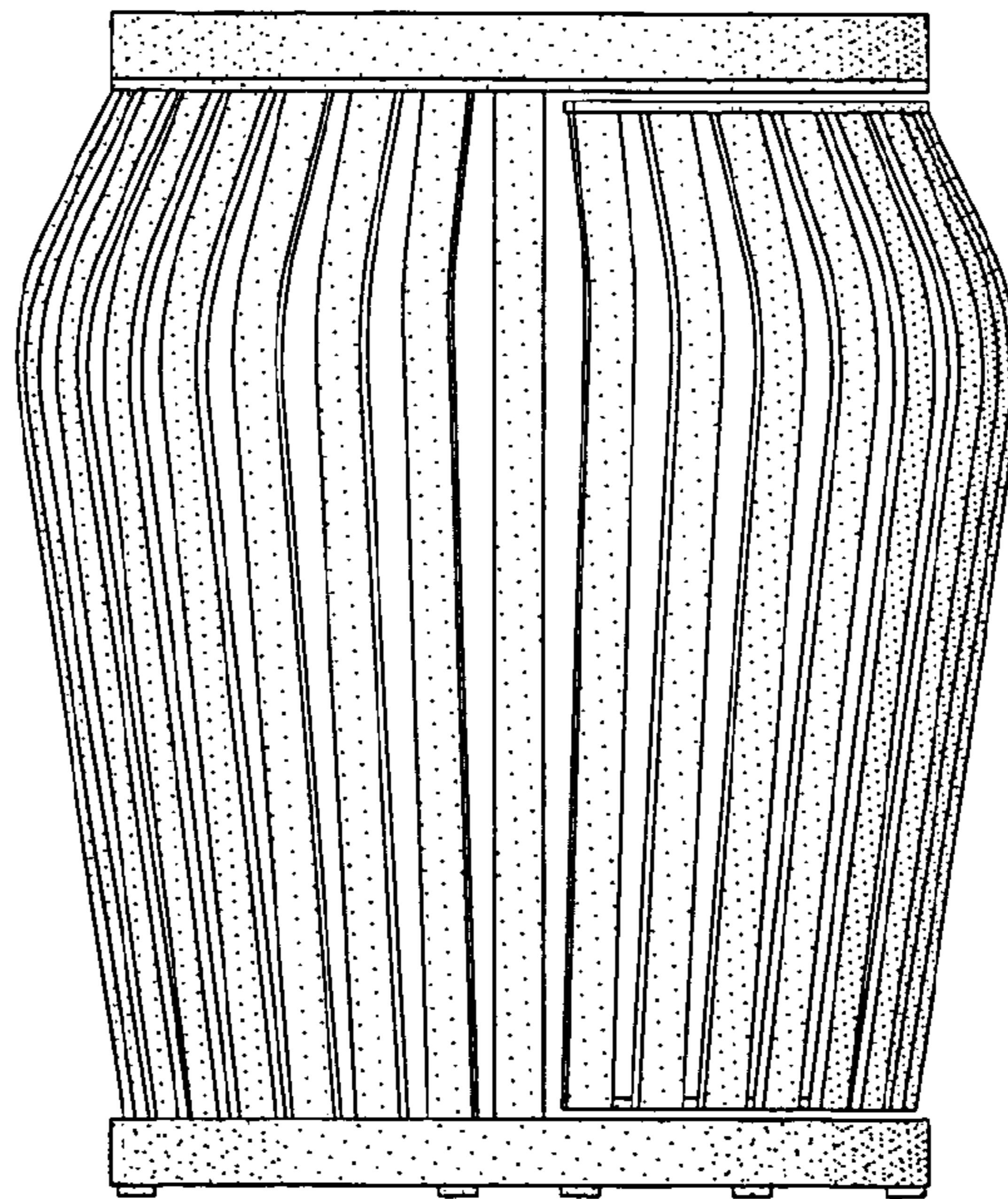


FIG. 4

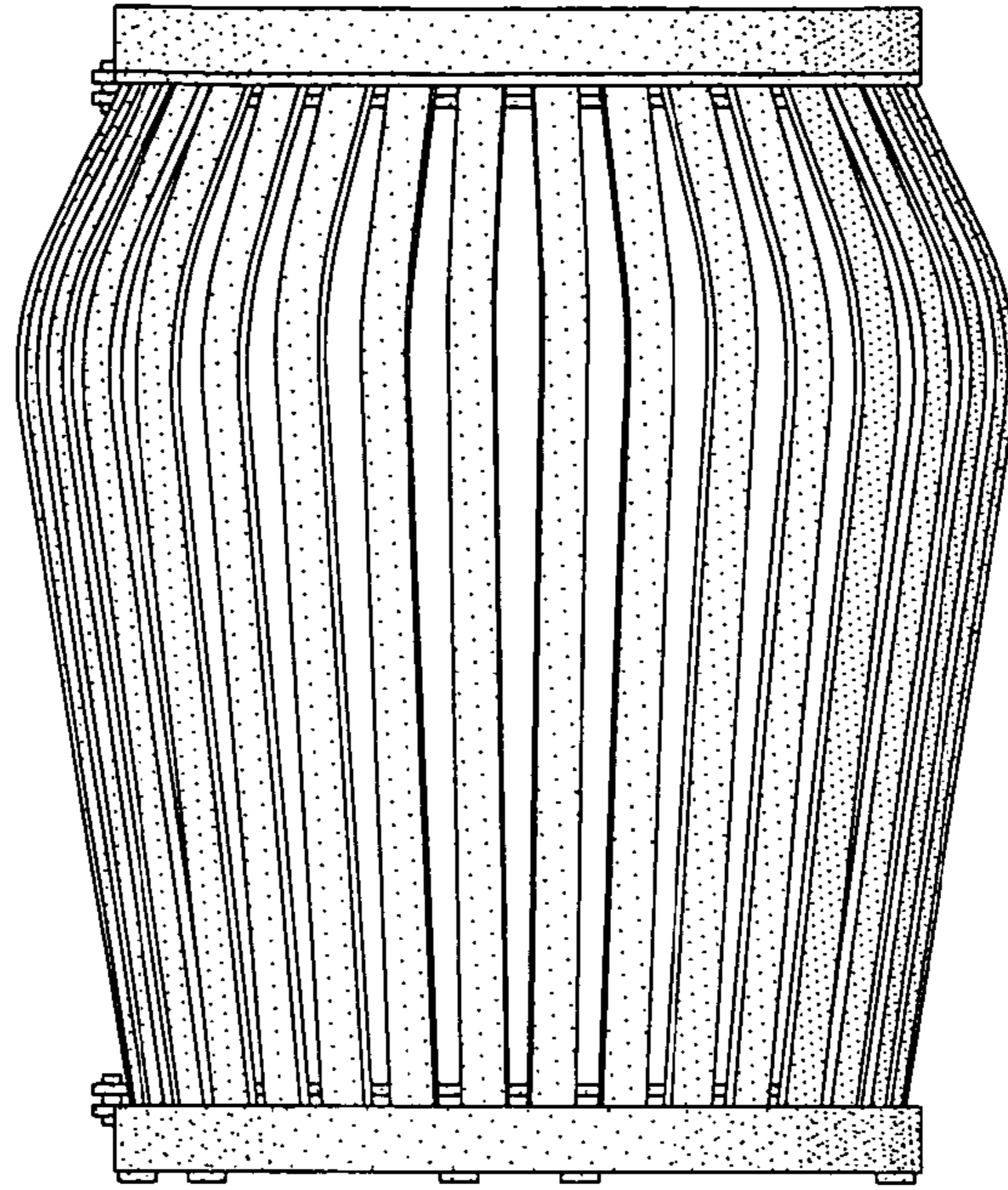


FIG. 5

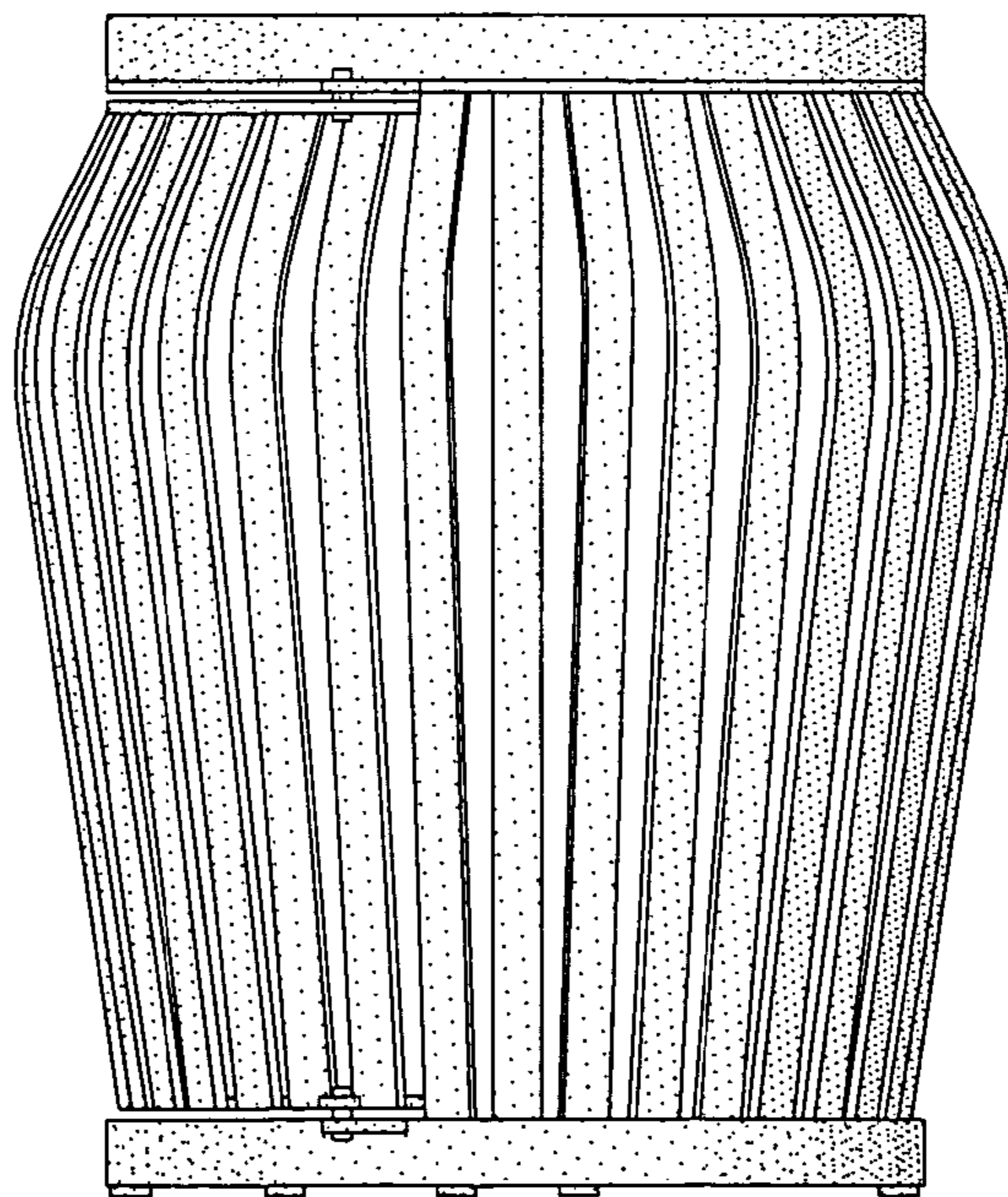


FIG. 6

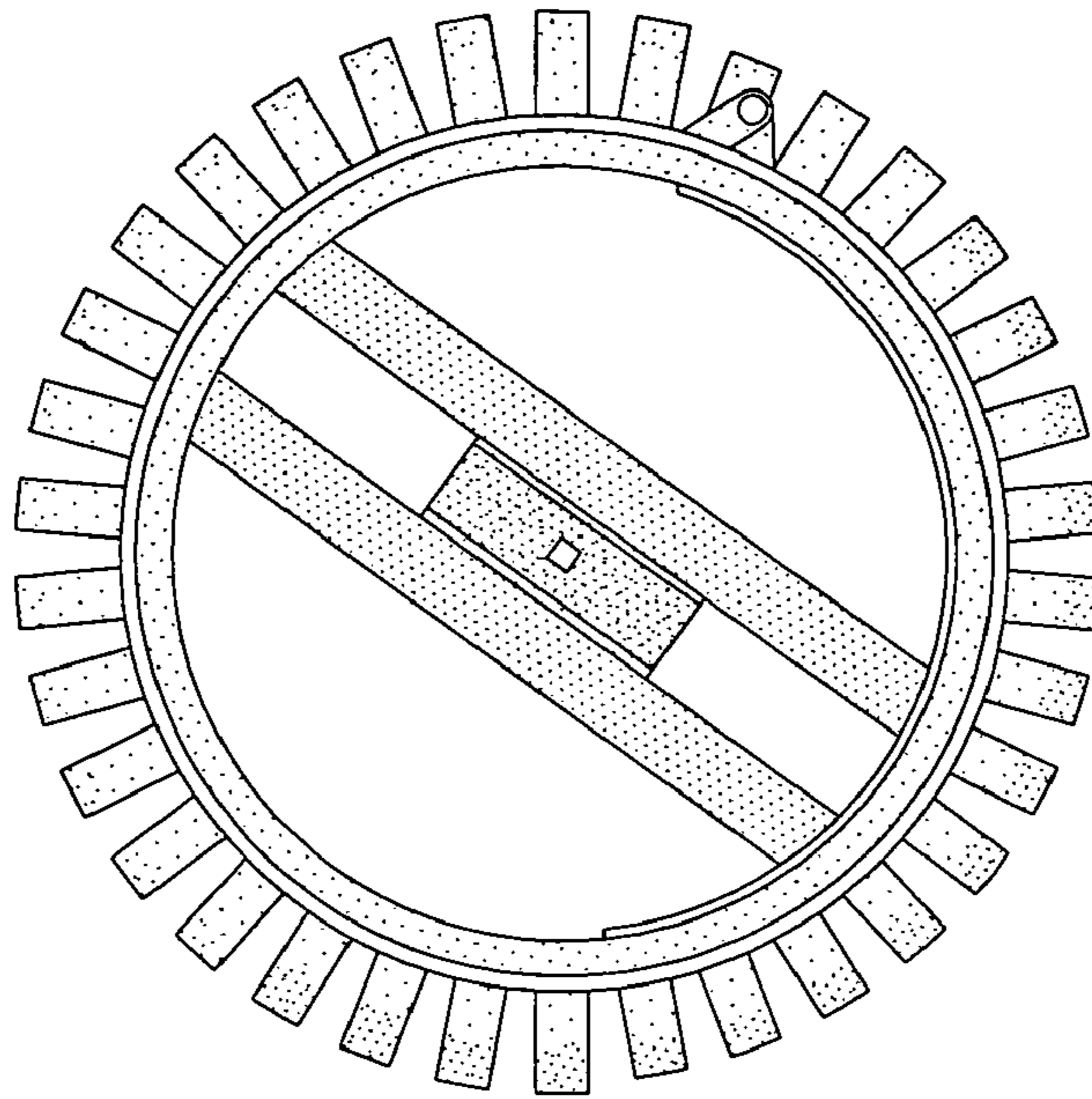


FIG. 7

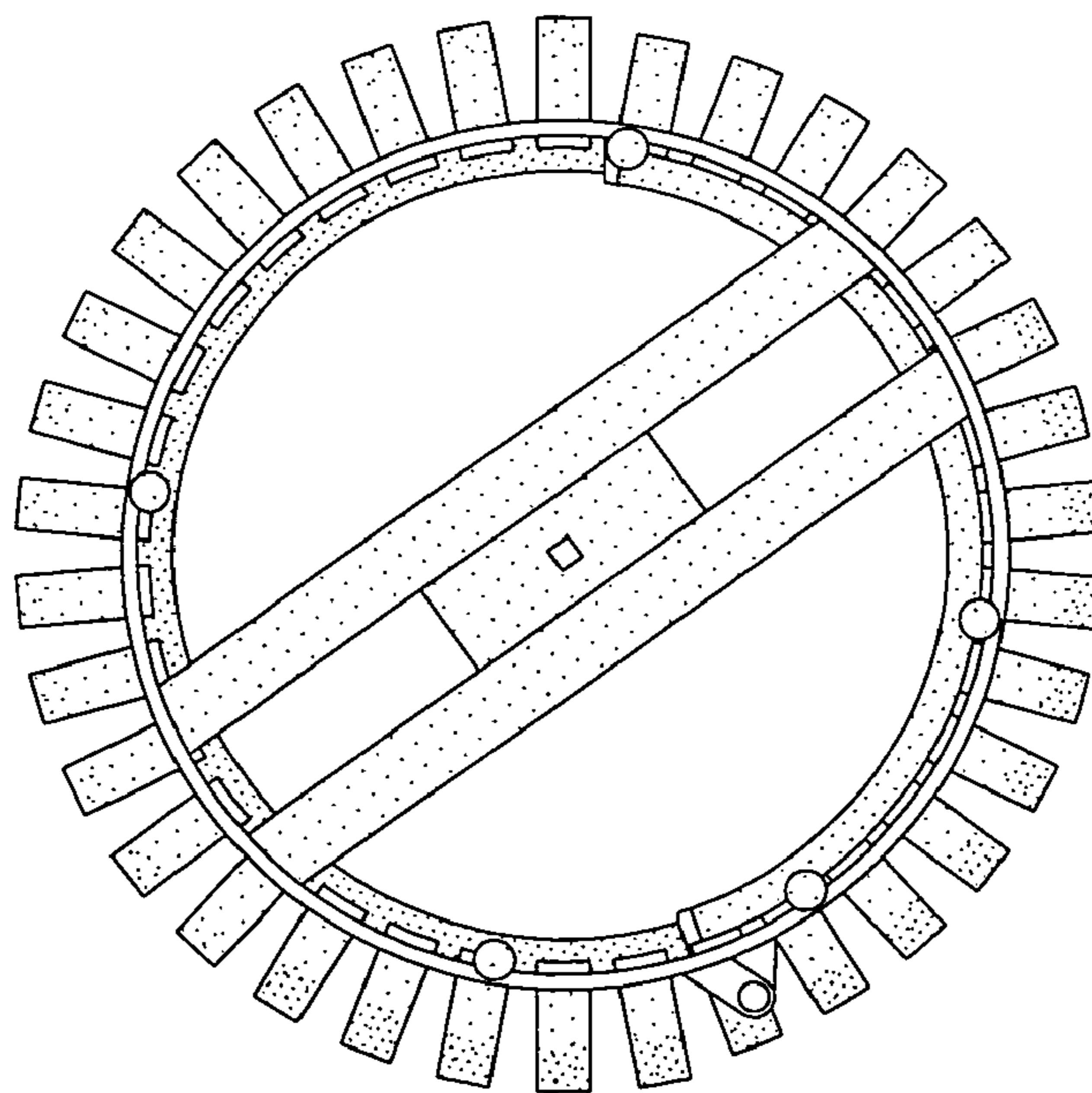


FIG. 8