



US00D602220S

(12) **United States Design Patent**  
**Wallace**

(10) **Patent No.:** **US D602,220 S**  
(45) **Date of Patent:** **\*\* Oct. 13, 2009**

(54) **PAINT TRAY**

D571,969 S \* 6/2008 Byers ..... D32/53.1  
D586,056 S \* 2/2009 Shea ..... D32/53.1

(76) **Inventor:** **Millard F Wallace**, 555 Ridge Rd.,  
Orwigsburg, PA (US) 17961

\* cited by examiner

(\*\*) **Term:** **14 Years**

*Primary Examiner*—Robin V Webster

(74) *Attorney, Agent, or Firm*—MaeCord Mason PLLC

(21) **Appl. No.:** **29/312,905**

(57) **CLAIM**

(22) **Filed:** **Nov. 20, 2008**

The ornamental design for a paint tray, as shown and described.

(51) **LOC (9) Cl.** ..... **07-07**

(52) **U.S. Cl.** ..... **D32/53.1**

(58) **Field of Classification Search** ..... D32/53,  
D32/53.1, 54; 15/257.01–257.06, 570  
See application file for complete search history.

**DESCRIPTION**

FIG. 1 is a perspective view of a paint tray in accordance with the present invention;

FIG. 2 is a front view of the paint tray of FIG. 1;

FIG. 3 is a right side view of the paint tray of FIG. 1, the left side view being a mirror image thereof;

FIG. 4 is a rear view of the paint tray of FIG. 1; and,

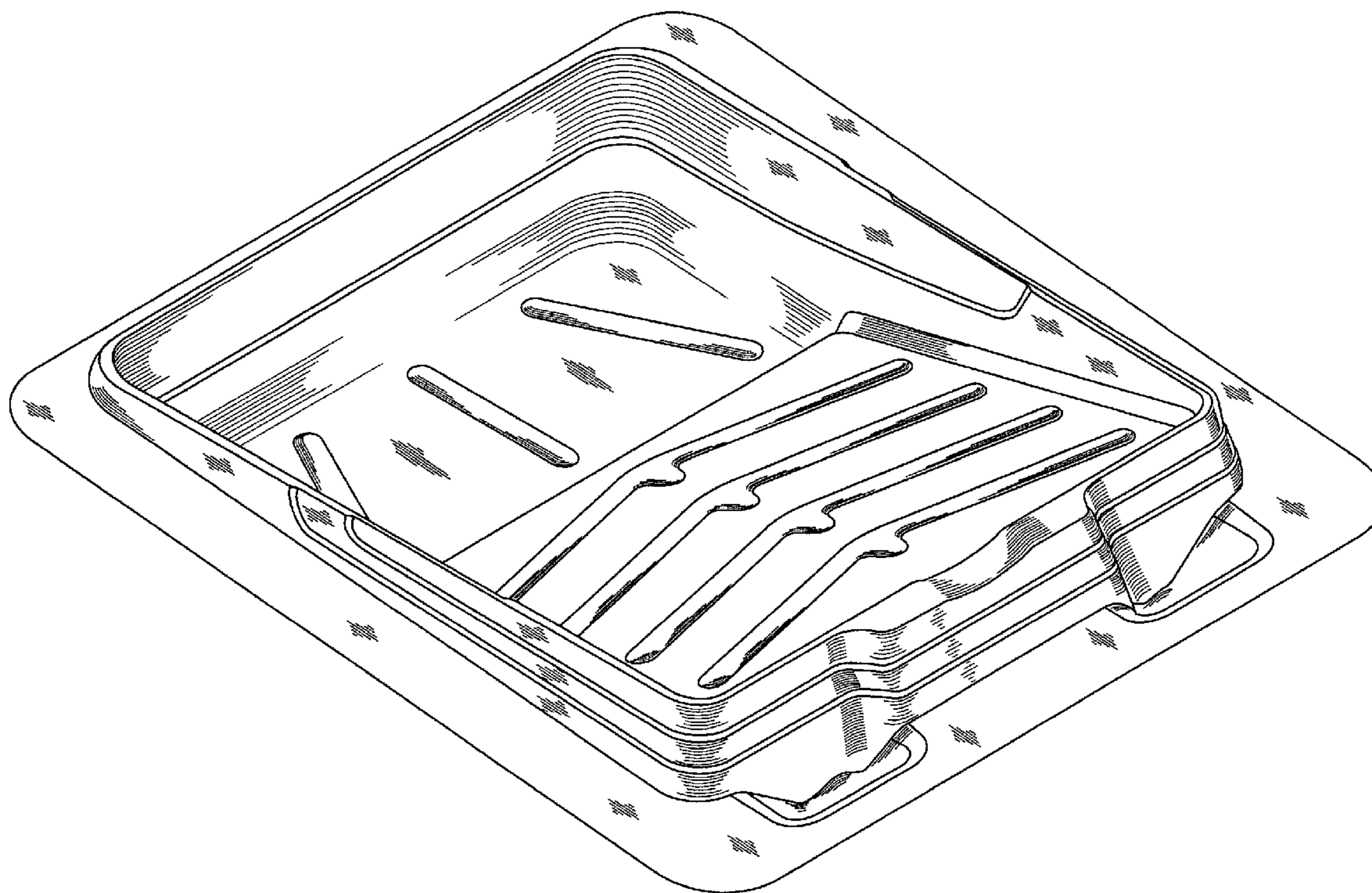
FIG. 5 is a top plan view of the paint tray of FIG. 1.

(56) **References Cited**

**U.S. PATENT DOCUMENTS**

D208,969 S \* 10/1967 Paxton ..... D32/53.1  
D301,785 S \* 6/1989 Goetz ..... D32/53.1  
D302,614 S \* 8/1989 Beatty ..... D32/53.1  
D553,818 S \* 10/2007 Moon ..... D32/53.1

**1 Claim, 5 Drawing Sheets**



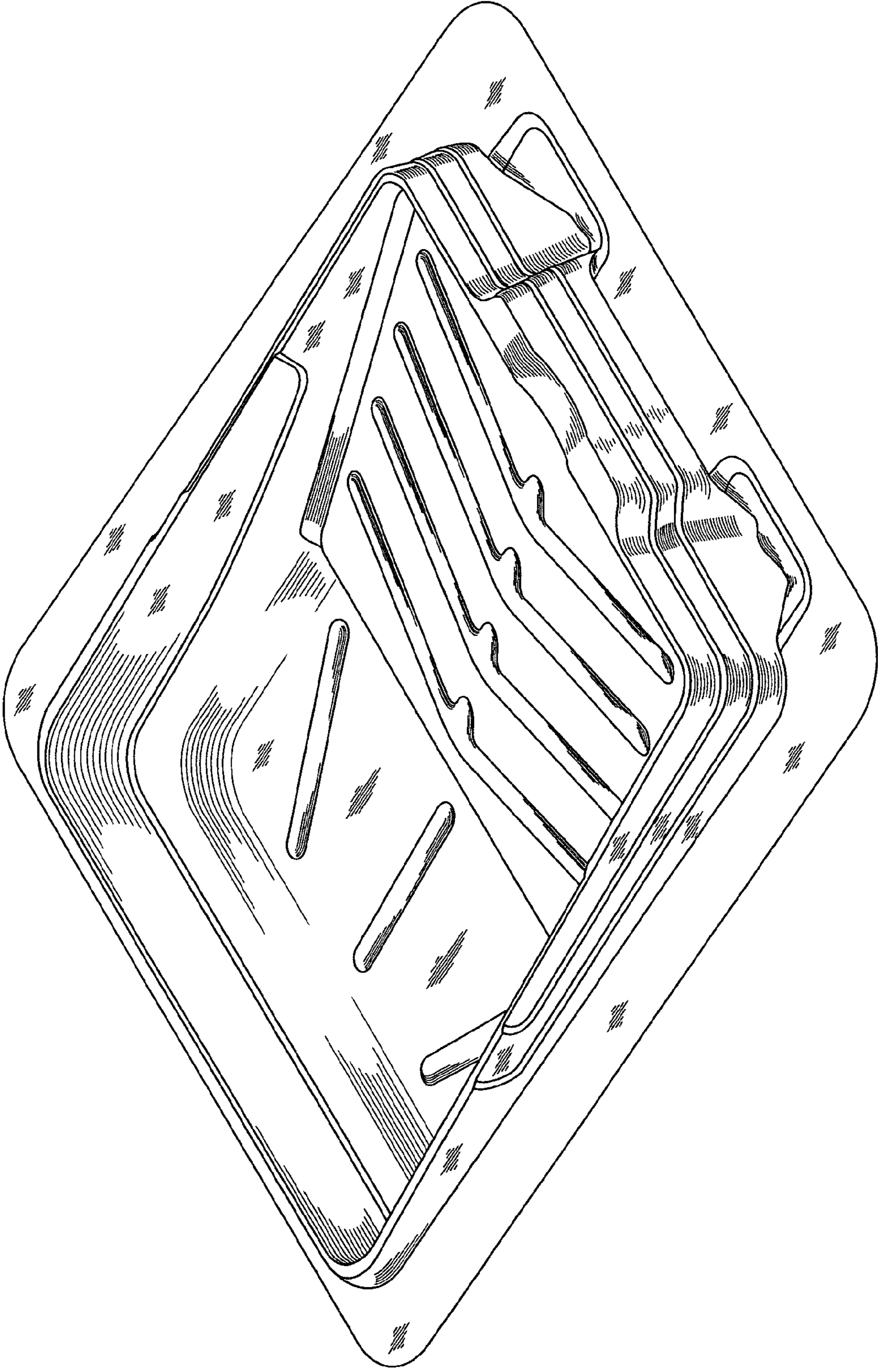


FIG. 1

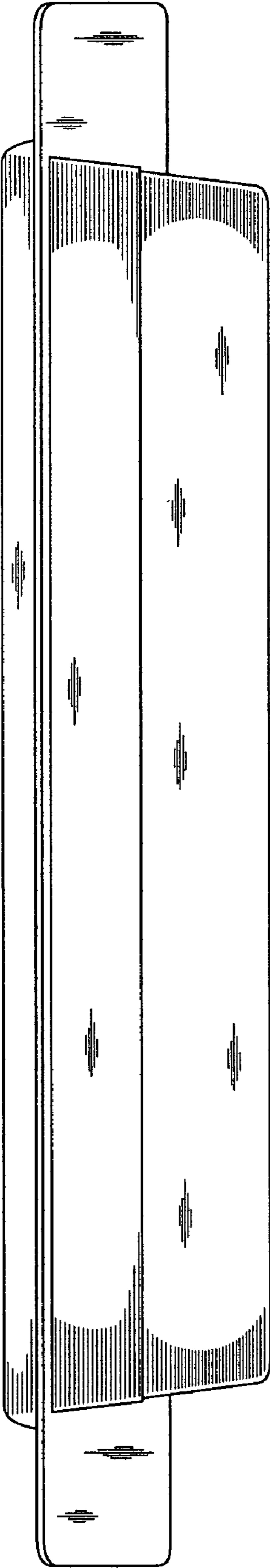


FIG. 2

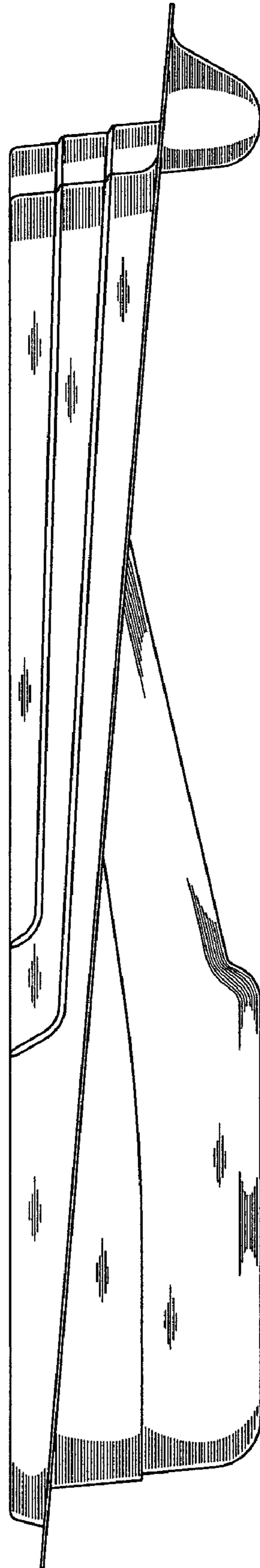


FIG. 3

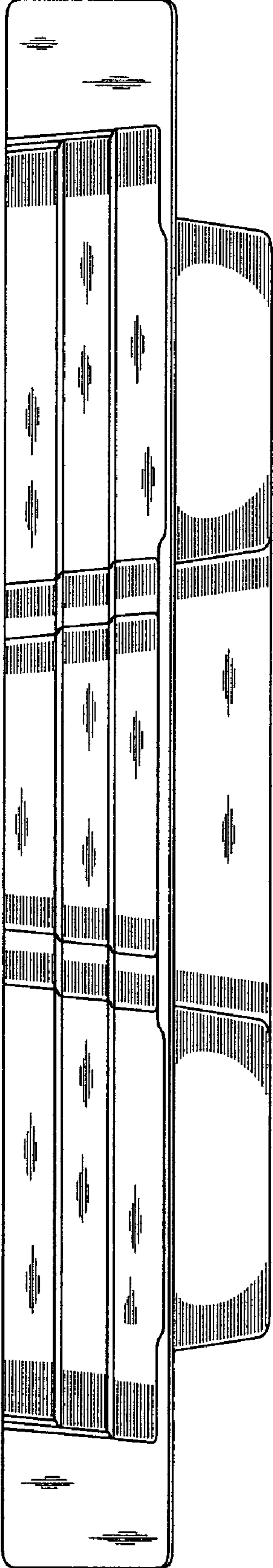


FIG. 4

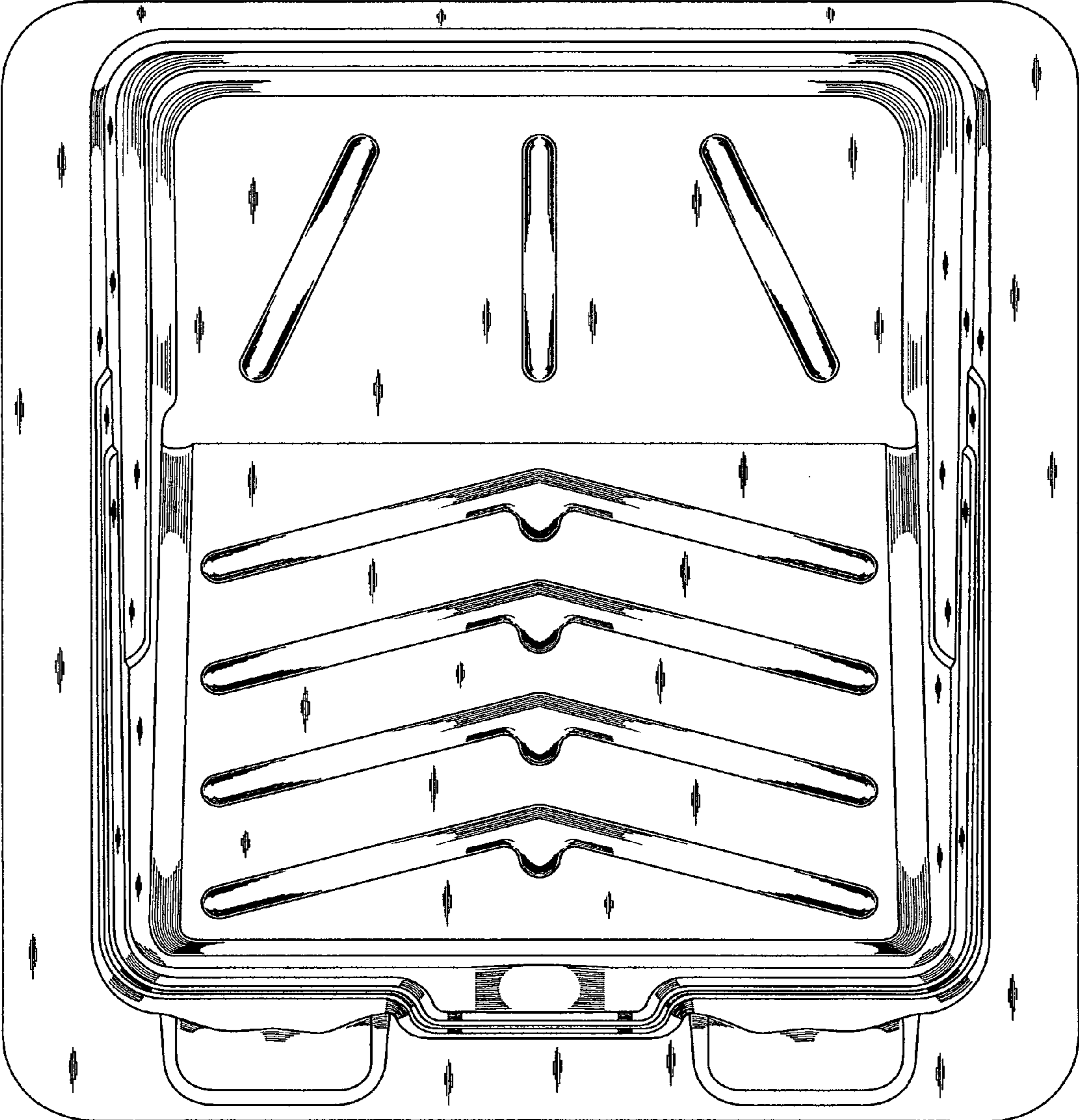


FIG. 5