



US00D602219S

(12) **United States Design Patent**
Bailey

(10) **Patent No.:** **US D602,219 S**
(45) **Date of Patent:** **** Oct. 13, 2009**

(54) **FLOOR CLEANING DEVICE**

(57) **CLAIM**

(75) Inventor: **Curtis J. Bailey**, Birmingham, MI (US)

The ornamental design for the floor cleaning device, as shown and described.

(73) Assignee: **Casabella Holdings, LLC**, Congers, NY (US)

(**) Term: **14 Years**

DESCRIPTION

(21) Appl. No.: **29/329,954**

FIG. 1 is a front perspective view of the new ornamental floor cleaning device of the present invention.

(22) Filed: **Dec. 23, 2008**

FIG. 2 is a front view thereof.

(51) **LOC (9) Cl.** **04-01**

FIG. 3 is a rear view thereof.

(52) **U.S. Cl.** **D32/49**

FIG. 4 is a left side view thereof.

(58) **Field of Classification Search** D32/49-52,
D32/46-48, 35; 401/15, 291, 278-279, 270-277,
401/137-140, 37; 40/138-140; 15/236.01,
15/143.4, 245.1; 30/169

FIG. 5 is a right side view thereof.

See application file for complete search history.

FIG. 6 is a top view of the cleaning head of the present invention.

(56) **References Cited**

FIG. 7 is a bottom view of the cleaning head of the present invention.

U.S. PATENT DOCUMENTS

FIG. 8 is an enlarged perspective view thereof, showing the handle shortened, and cleaning head separate for clarity of disclosure.

D323,727 S *	2/1992	Re	D32/51
D328,807 S *	8/1992	Millar	D32/41
D386,851 S *	11/1997	Levine	D32/40
D409,343 S *	5/1999	Kingry et al.	D32/50
D423,742 S *	4/2000	Kingry et al.	D32/40
6,871,377 B2 *	3/2005	Veltrop et al.	15/236.01
D551,819 S *	9/2007	Kohs et al.	D32/49
D552,315 S *	10/2007	Harper et al.	D32/40
D558,416 S *	12/2007	Kenny	D32/40
D579,165 S *	10/2008	Handy et al.	D32/40

FIG. 9 is a front perspective view of a second embodiment of a floor cleaning device.

* cited by examiner

FIG. 10 is a front view of the alternate embodiment.

Primary Examiner—Pamela J Burgess
(74) *Attorney, Agent, or Firm*—Curtis, Mallet-Prevost, Colt & Mosle LLP

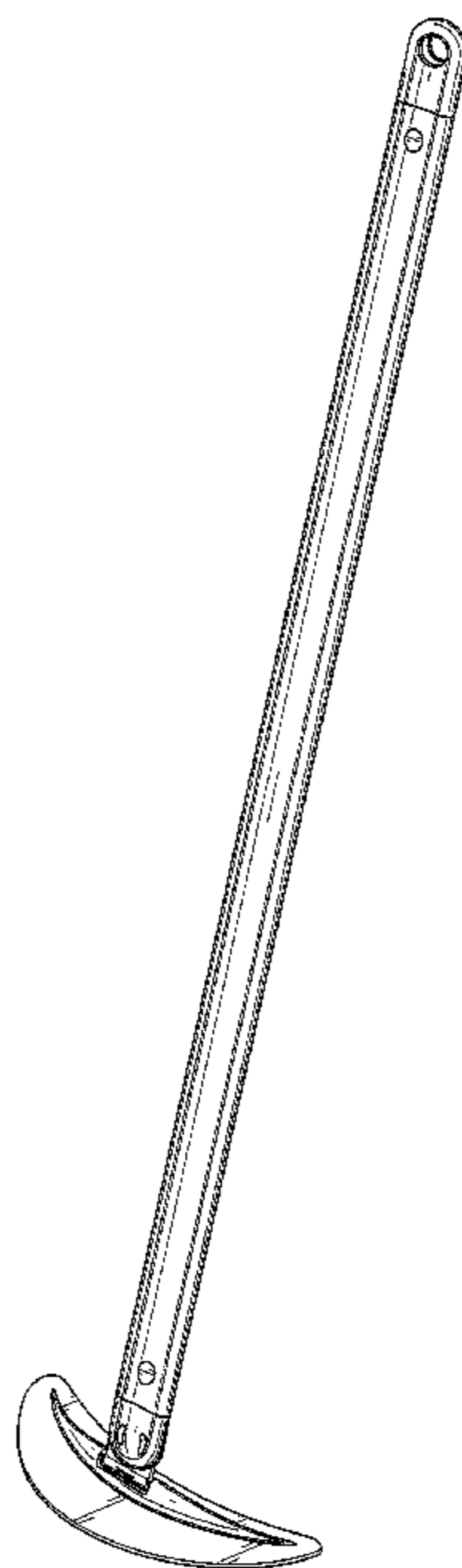
FIG. 11 is a rear view of the alternate embodiment.

FIG. 12 is a top view of the cleaning head of the alternate embodiment.

FIG. 13 is a bottom view of the cleaning head of the alternate embodiment; and,

FIG. 14 is an enlarged perspective view thereof, showing the handle shortened, and cleaning head separate for clarity of disclosure.

1 Claim, 12 Drawing Sheets



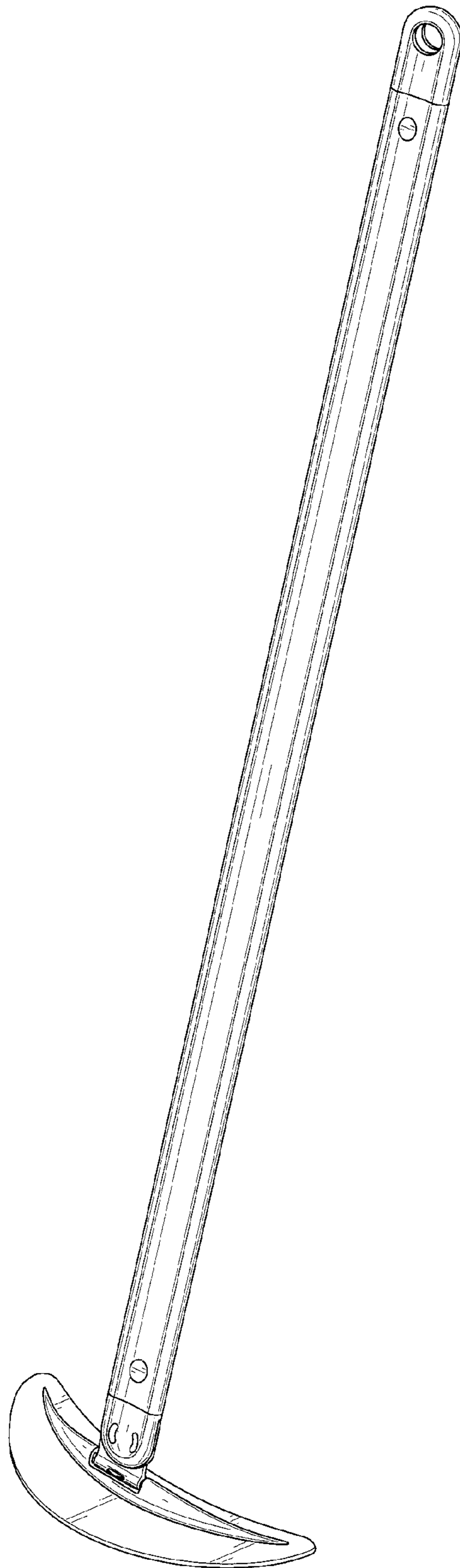


FIG. 1

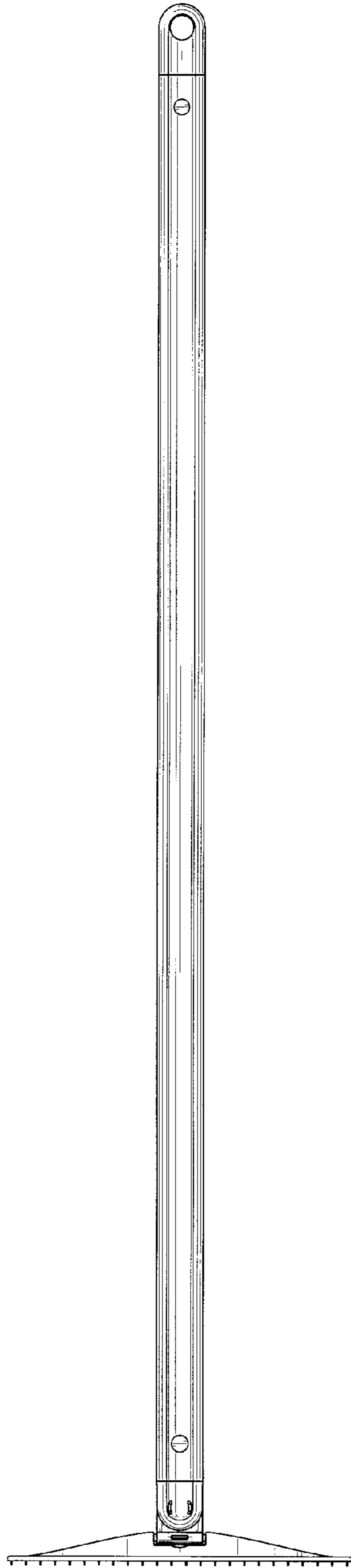


FIG. 2

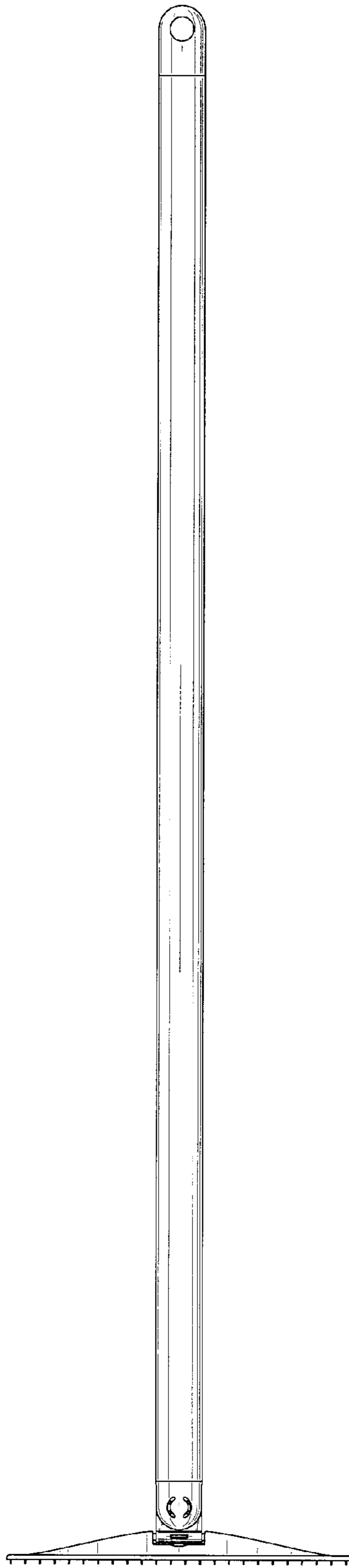


FIG. 3

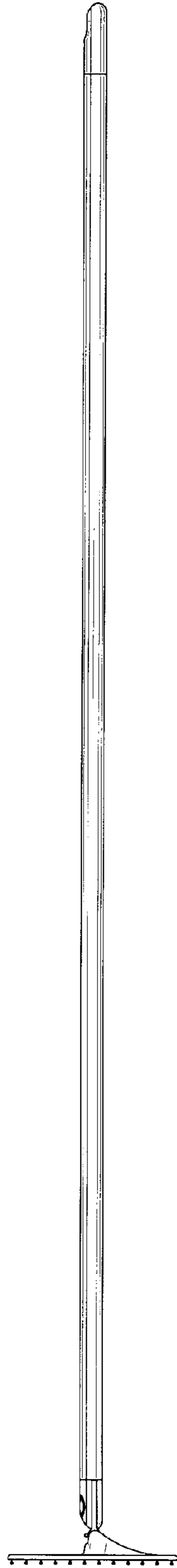


FIG. 4

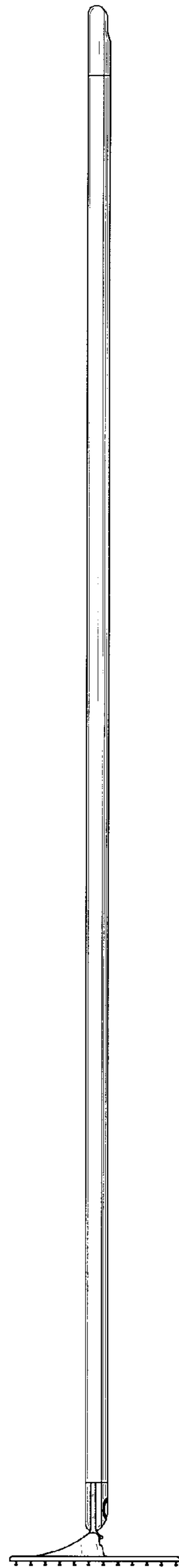


FIG. 5

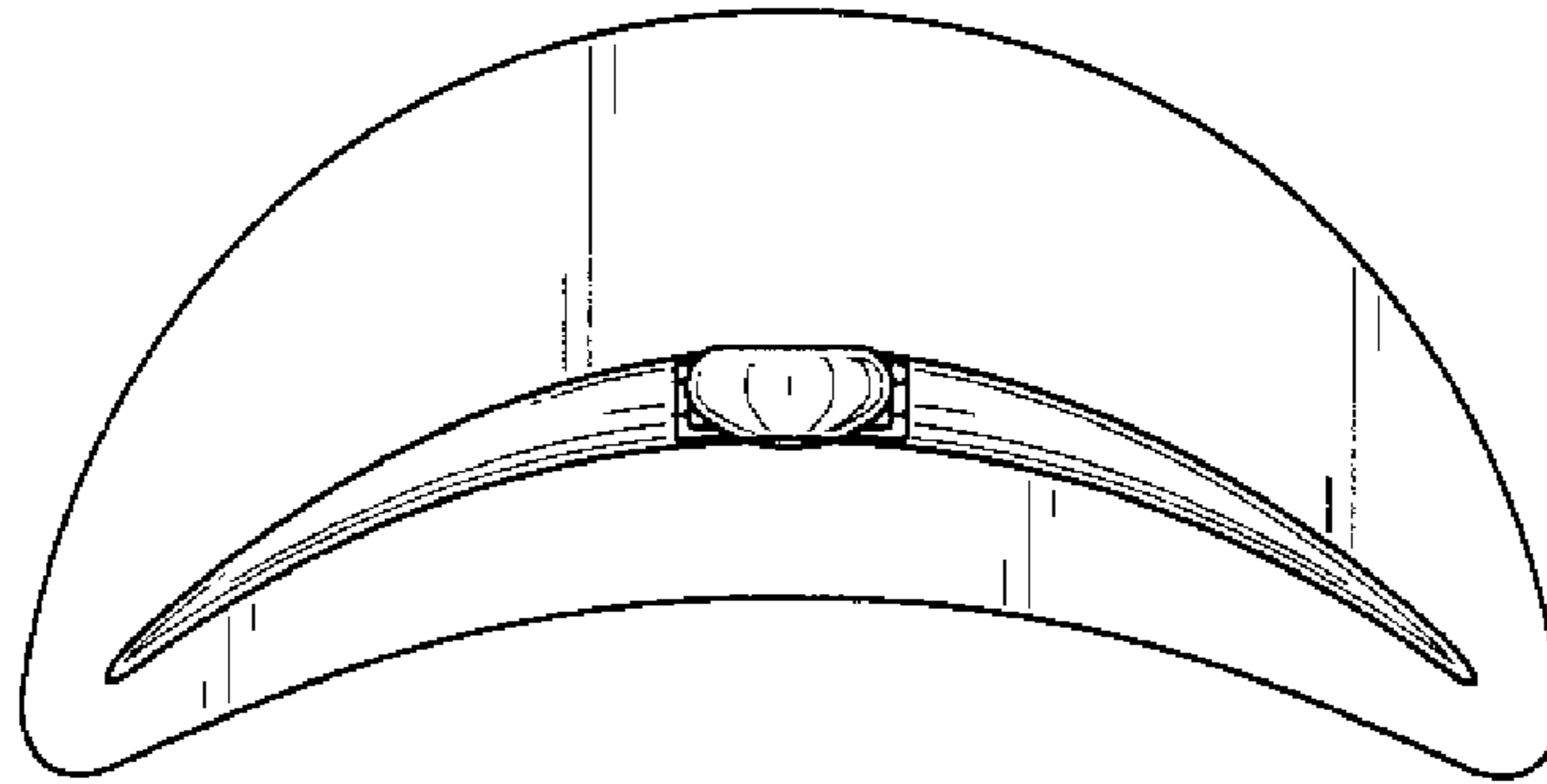


FIG. 6

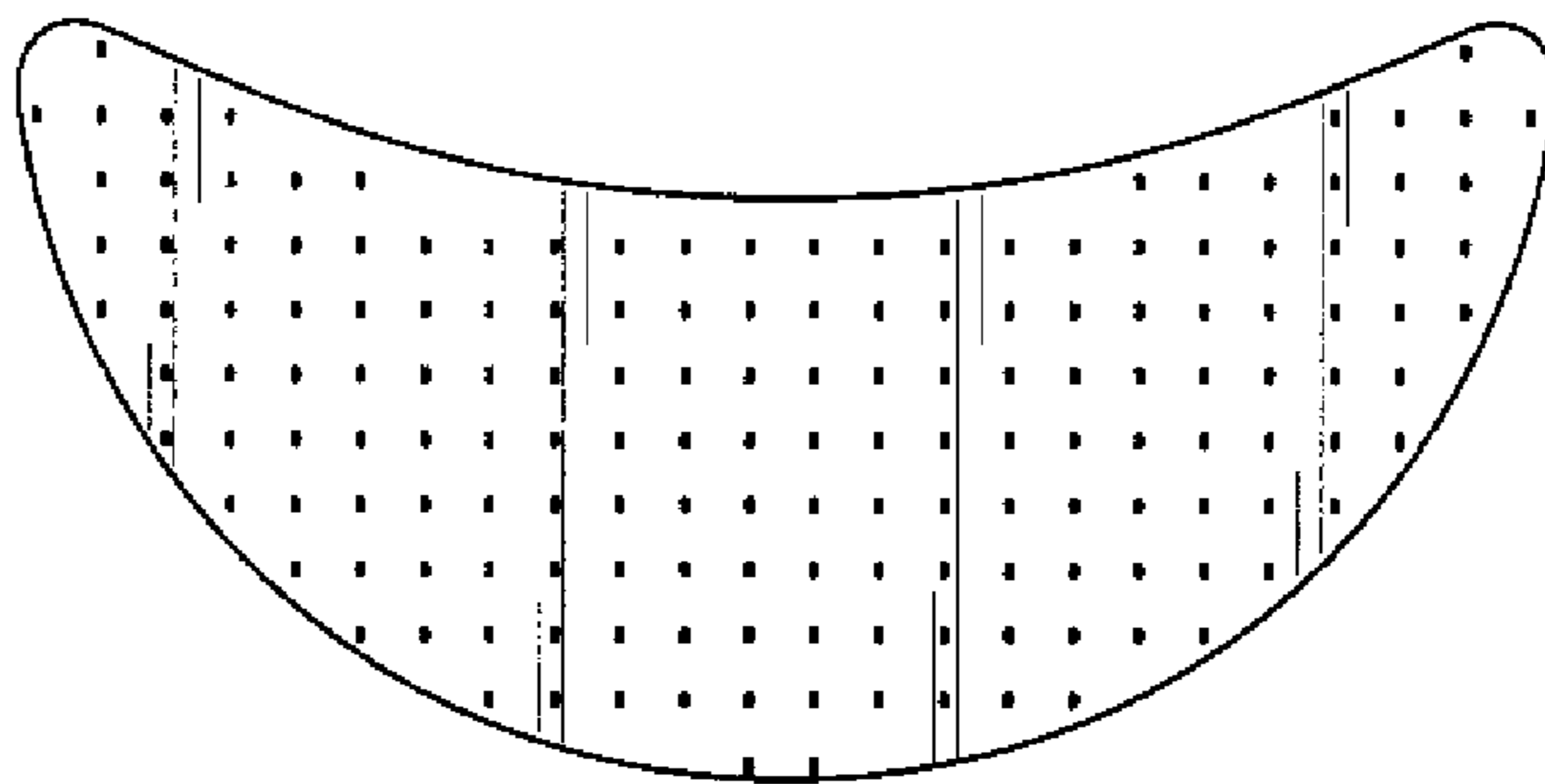


FIG. 7

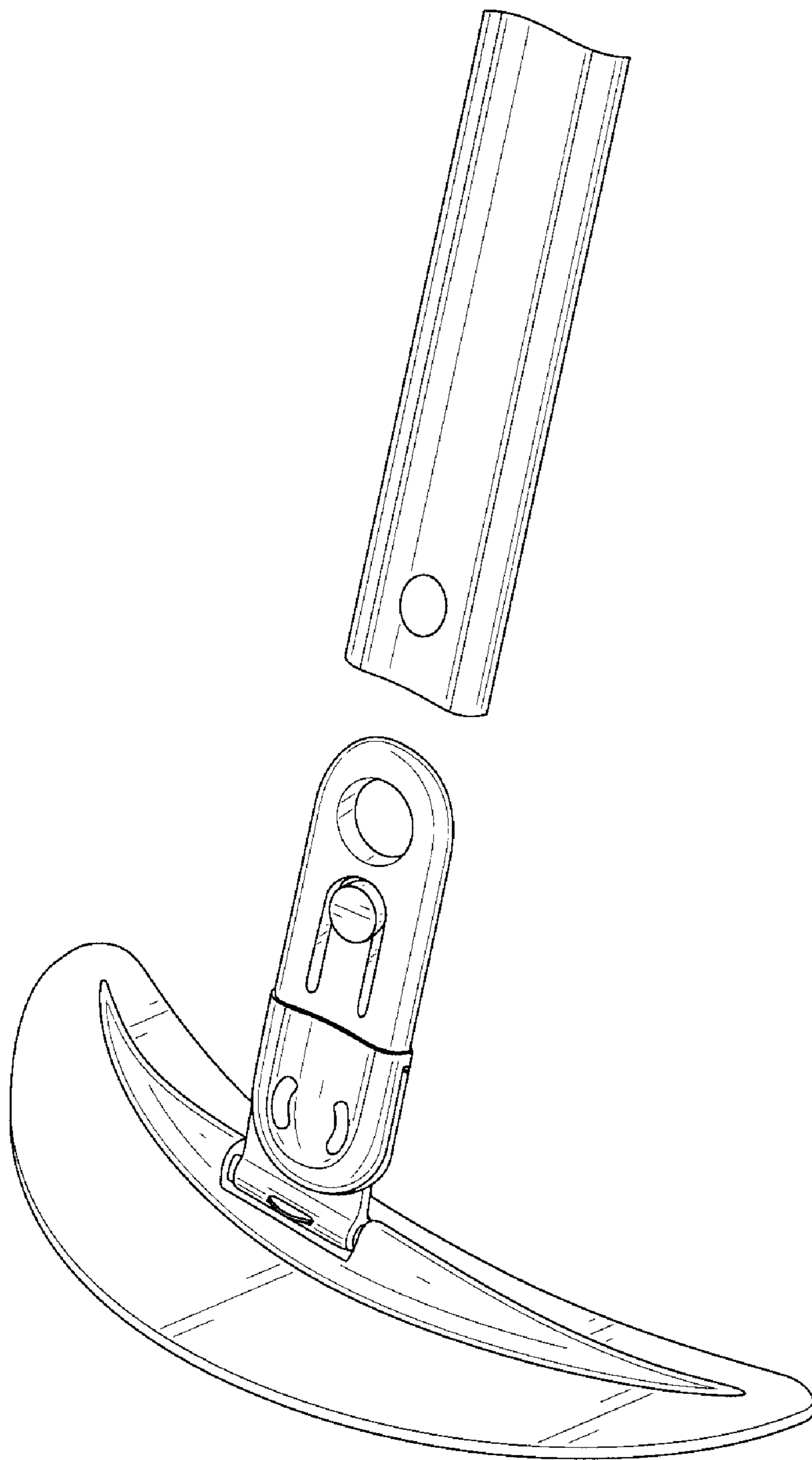


FIG. 8

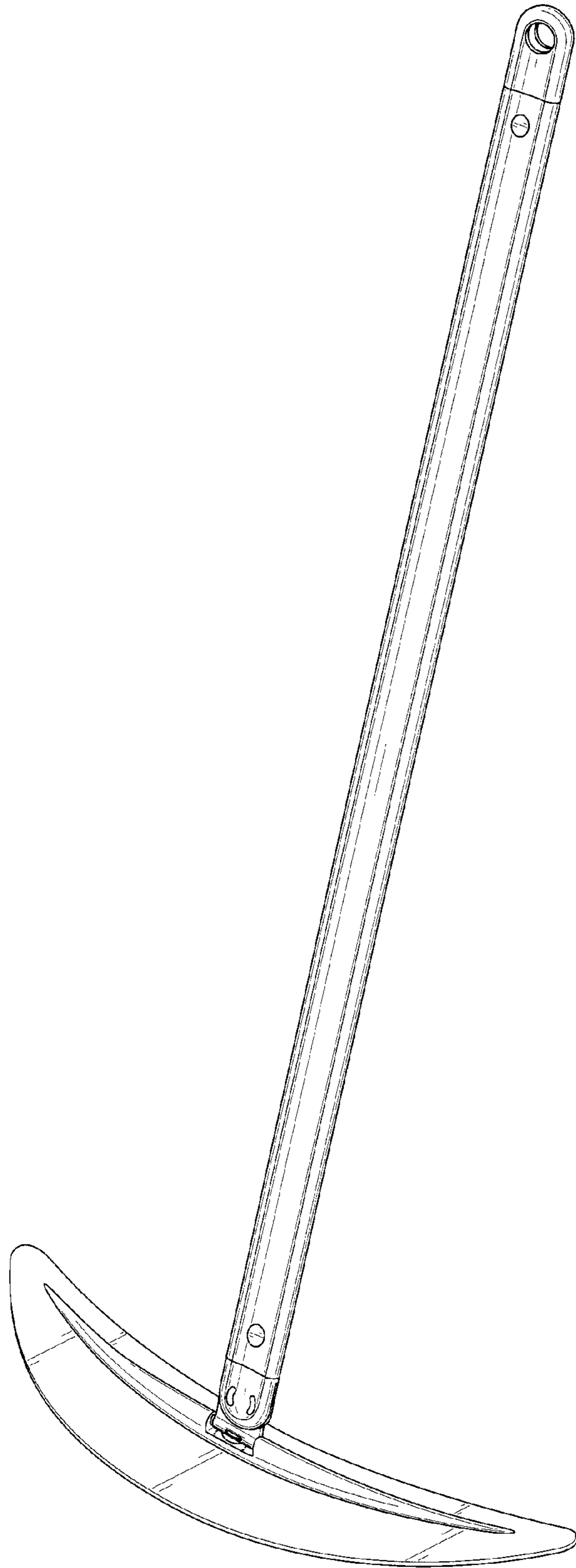


FIG. 9

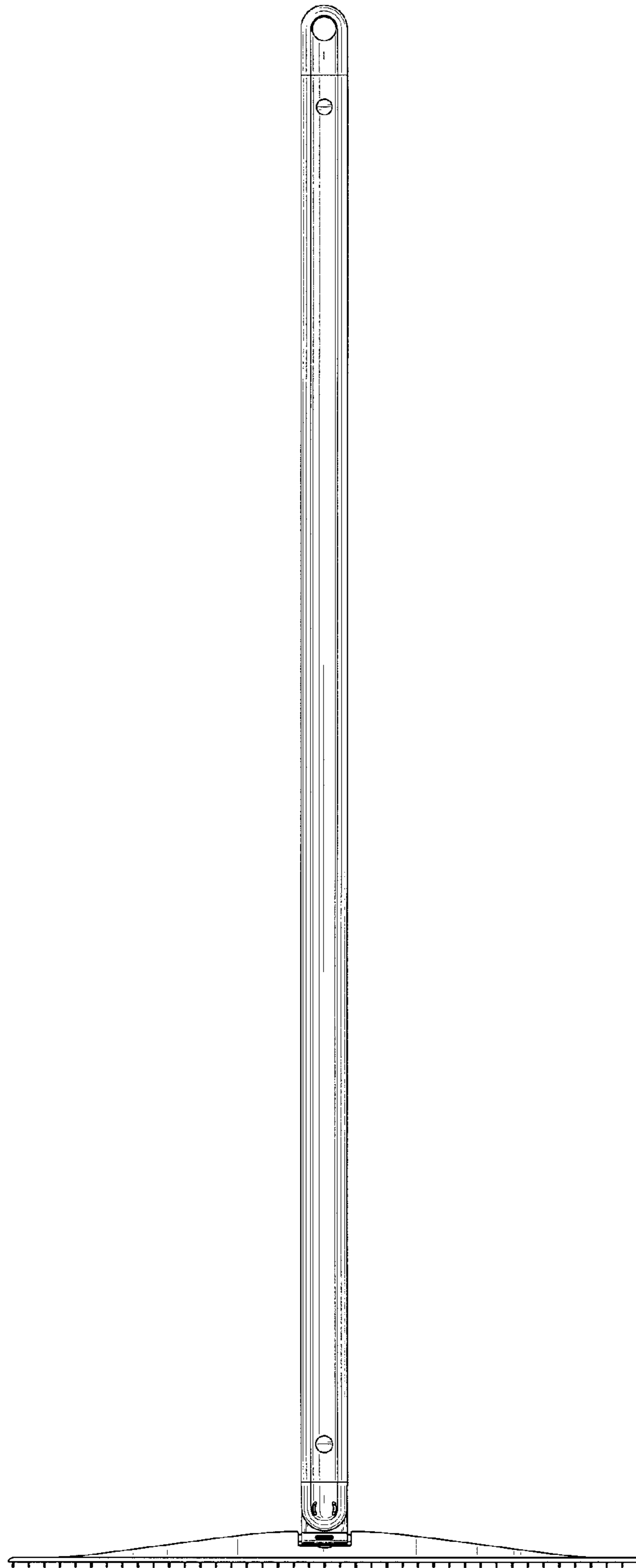


FIG. 10

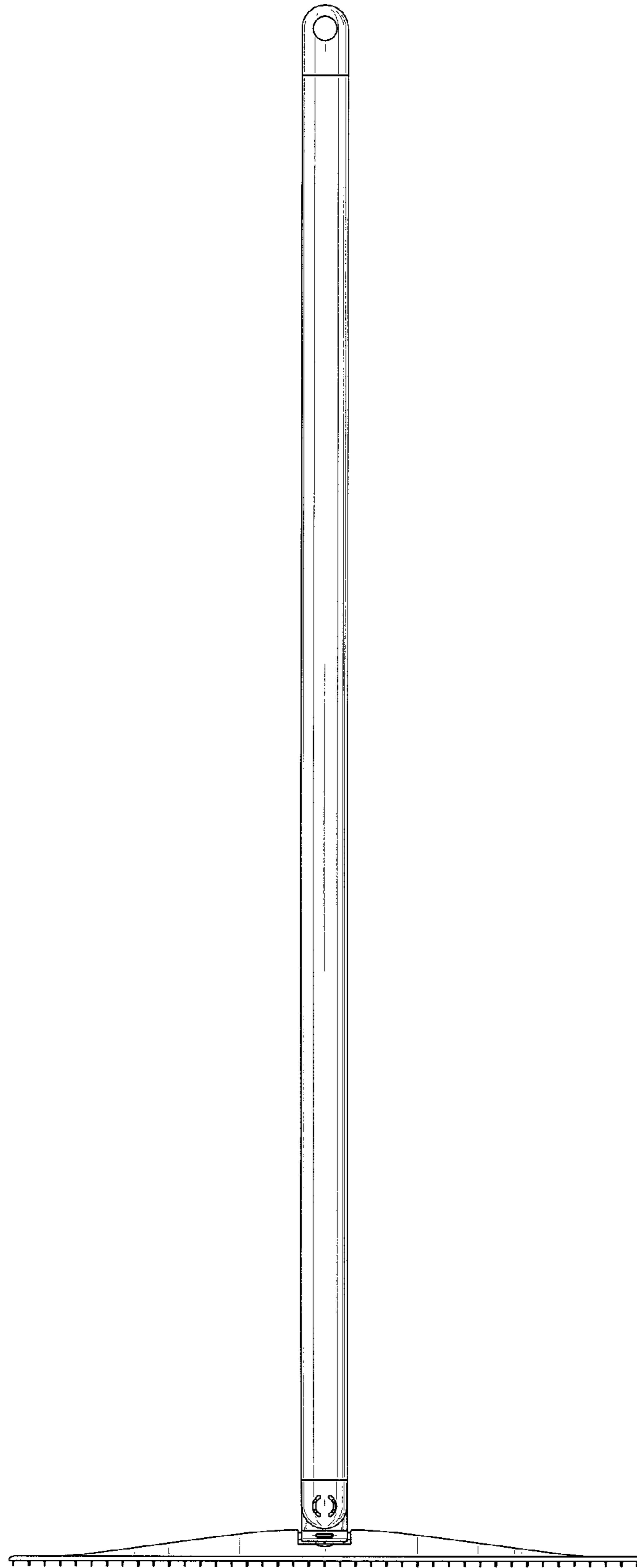


FIG. 11

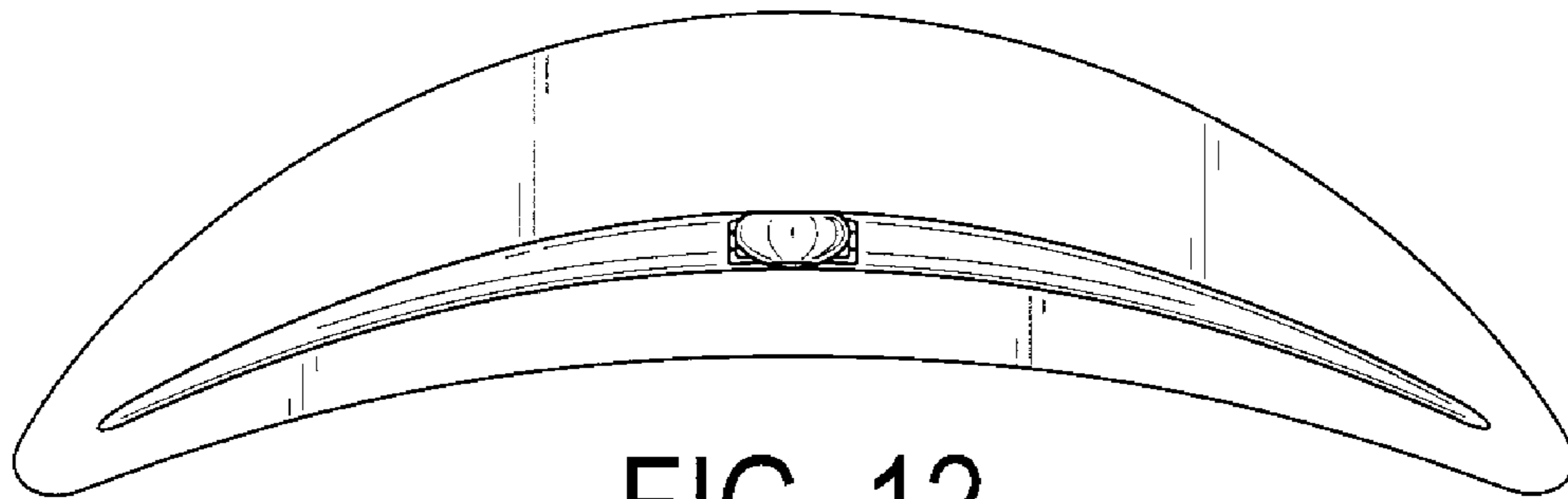


FIG. 12

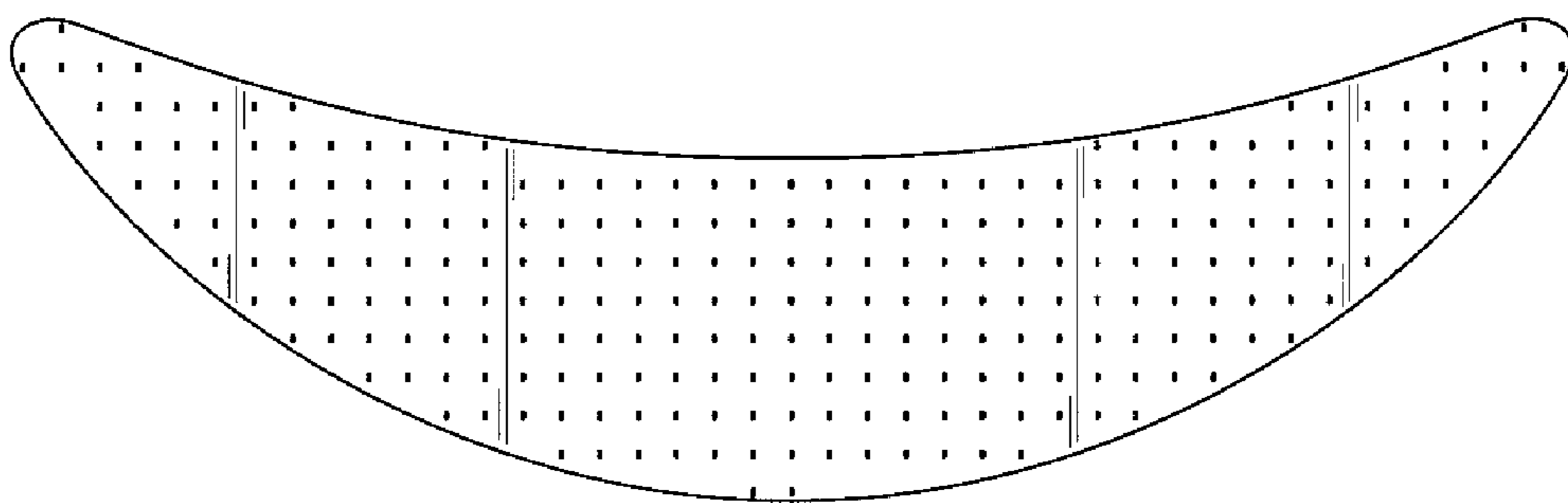


FIG. 13

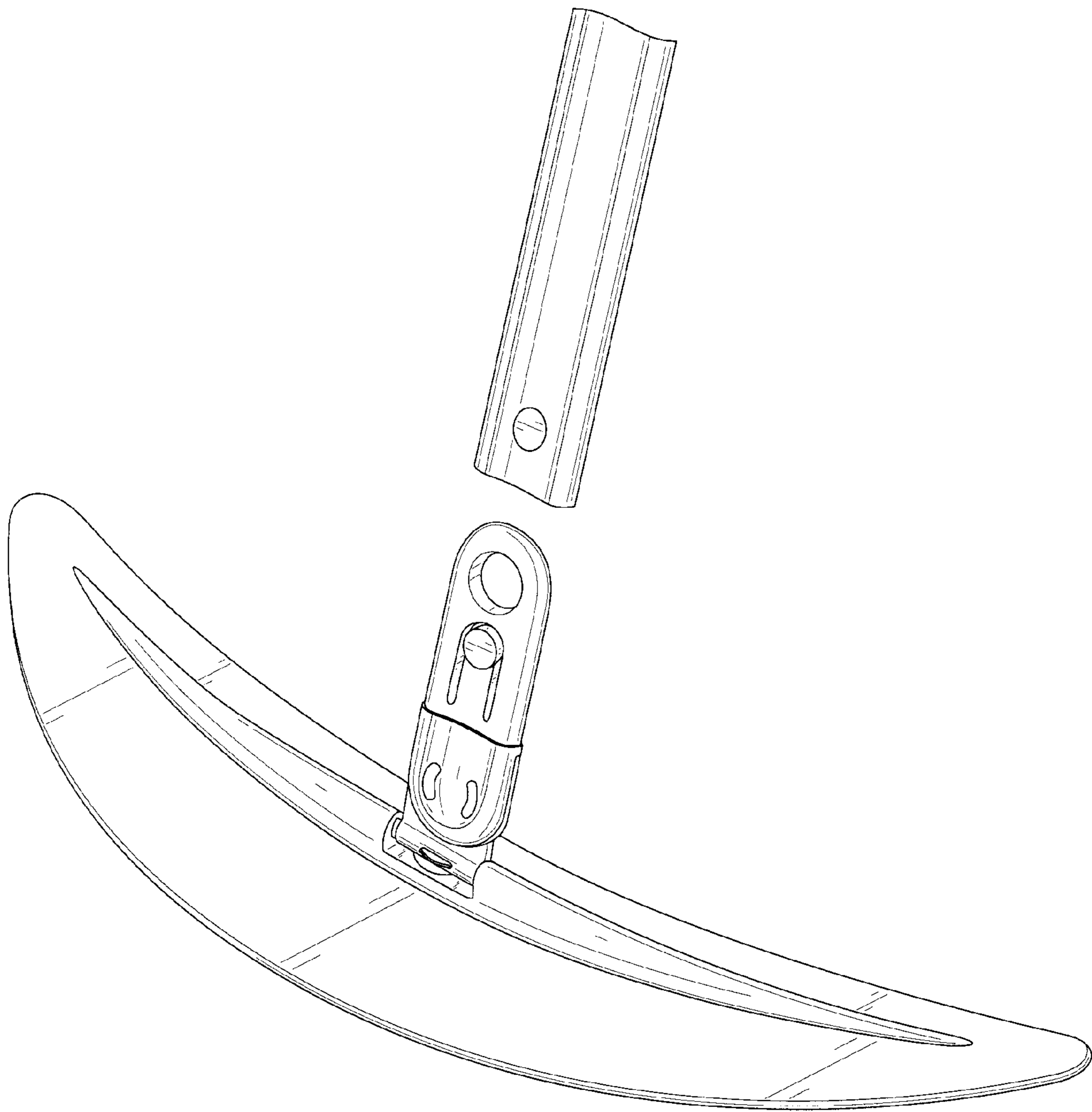


FIG. 14