



US00D602215S

(12) **United States Design Patent**  
**Ljunggren**

(10) **Patent No.:** **US D602,215 S**

(45) **Date of Patent:** **\*\* Oct. 13, 2009**

(54) **ROBOT VACUUM CLEANER**

(75) Inventor: **Inese Ljunggren**, Stockholm (SE)

(73) Assignee: **Akiefbolaget Electrolux**, Stockholm (SE)

(\*\*) Term: **14 Years**

(21) Appl. No.: **29/170,352**

(22) Filed: **Nov. 4, 2002**

(51) **LOC (9) Cl.** ..... **15-05**

(52) **U.S. Cl.** ..... **D32/21**

(58) **Field of Classification Search** ..... D32/17,  
D32/18, 31, 21; 392/324-325, 403-406,  
392/383, 384, 476, 477; 219/259, 242, 254,  
219/246; 15/329, 320-321, 327.1, 327.2,  
15/327.7, 319, 21.1, 28, 29; 134/18; 701/23;  
700/245; 901/1

See application file for complete search history.

(56) **References Cited**

**U.S. PATENT DOCUMENTS**

D182,364 S	3/1958	Jepson et al.
D187,065 S	1/1960	Chapman
3,135,987 A	6/1964	Huch
D212,257 S	9/1968	Schaefer et al.
D214,340 S	6/1969	Schaefer et al.
D233,645 S	11/1974	Diehl
D233,646 S	11/1974	Diehl
D233,647 S	11/1974	Diehl
D258,821 S	4/1981	Wareham et al.

D375,592 S *	11/1996	Ljunggren	.....	D32/21
D381,478 S *	7/1997	Amos	.....	D32/21
5,781,960 A *	7/1998	Kilstrom et al.	.....	15/319
5,935,179 A *	8/1999	Kleiner et al.	.....	701/23
D474,312 S *	5/2003	Stephens et al.	.....	D32/21
6,883,201 B2 *	4/2005	Jones et al.	.....	15/319
7,167,775 B2 *	1/2007	Abramson et al.	.....	700/245
7,275,280 B2 *	10/2007	Haegermarck et al.	.....	15/340.1
2004/0117064 A1 *	6/2004	McDonald	.....	700/245
2004/0143927 A1 *	7/2004	Haegermarck et al.	.....	15/319

\* cited by examiner

*Primary Examiner*—Ruth McInroy

(74) *Attorney, Agent, or Firm*—Pearne & Gordon LLP

(57) **CLAIM**

The ornamental design for a robot vacuum cleaner, as shown and described.

**DESCRIPTION**

FIG. 1 is a front perspective view of a robot vacuum cleaner showing my new design;

FIG. 2 is a rear perspective view thereof;

FIG. 3 is a top view thereof;

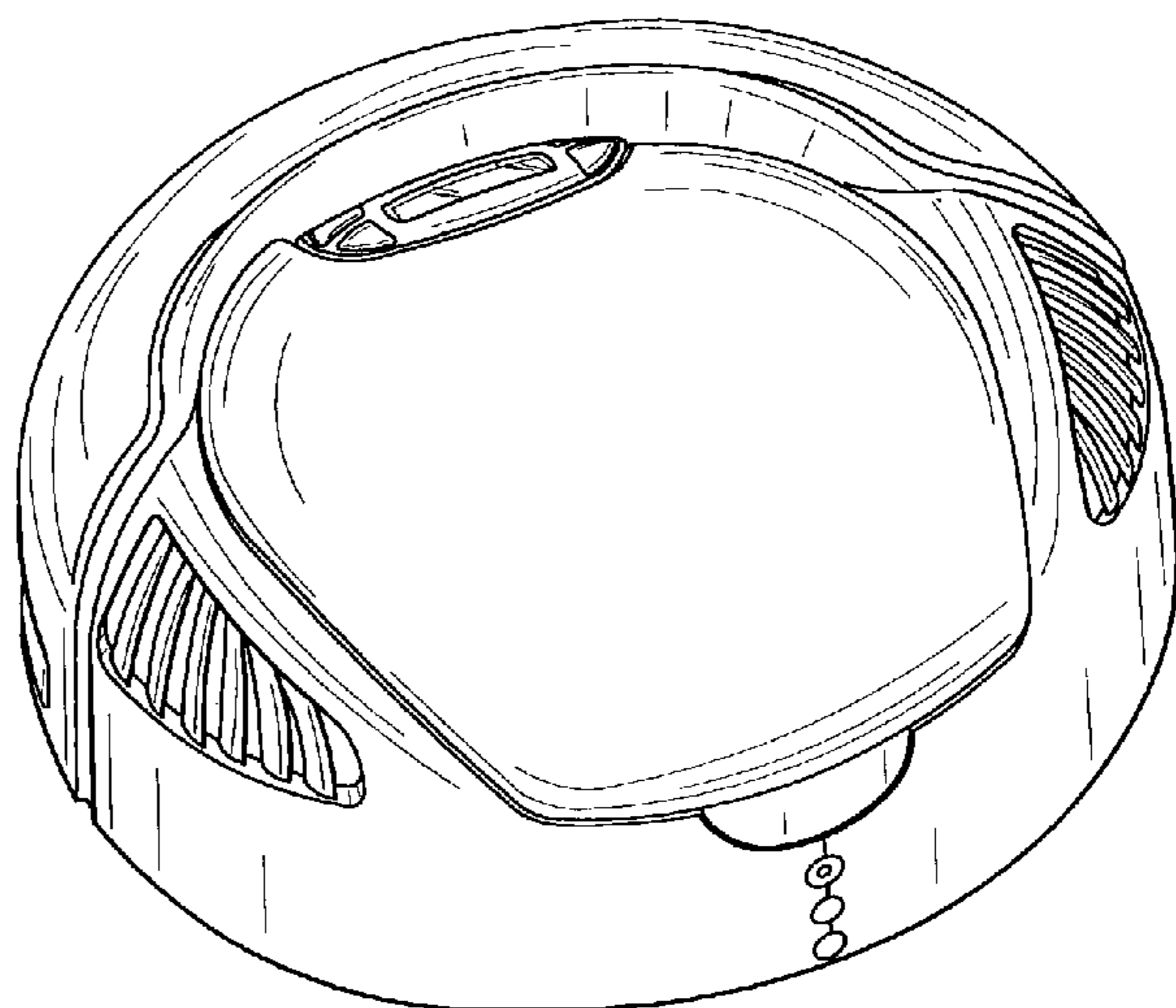
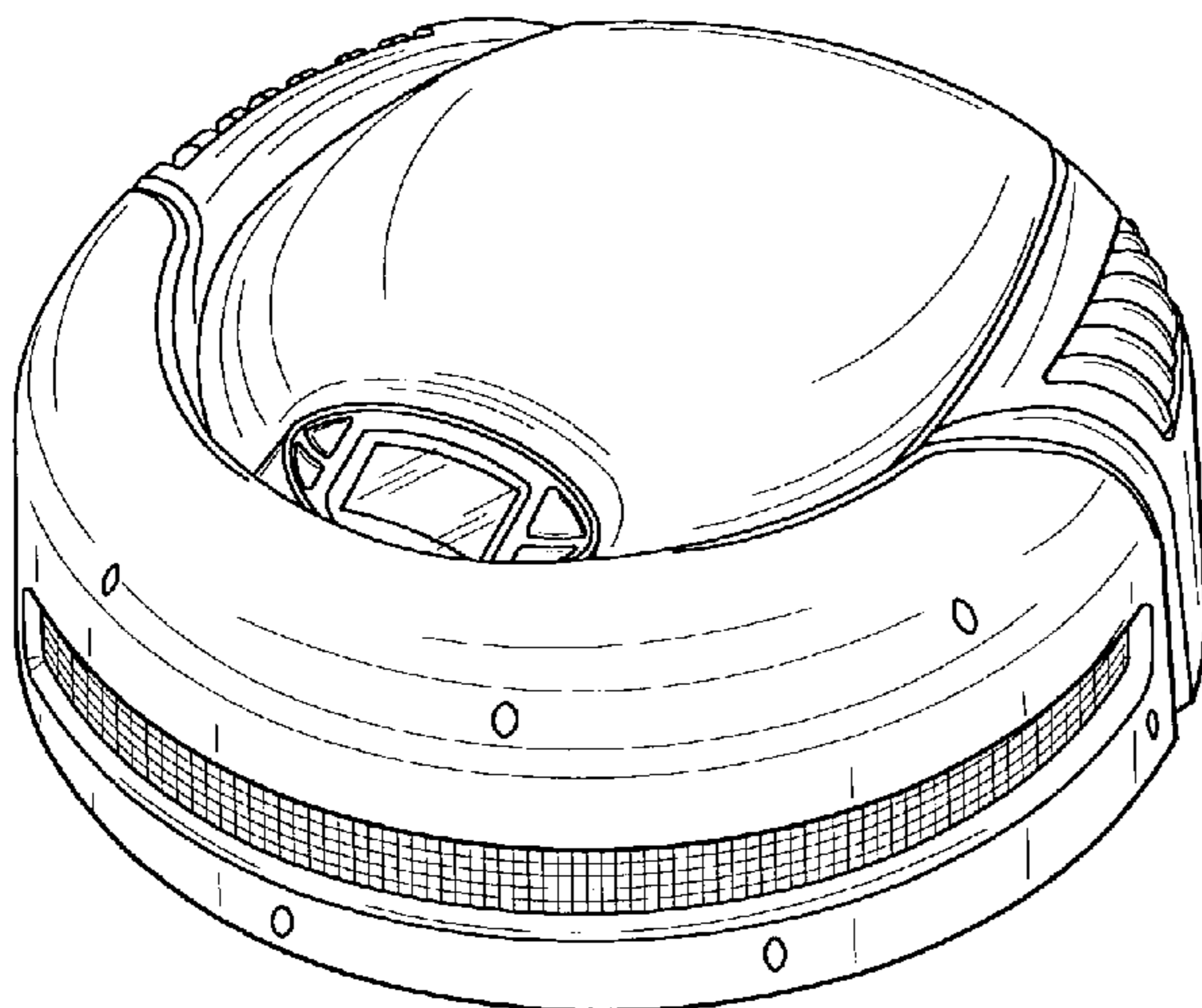
FIG. 4 is a front view thereof;

FIG. 5 is a rear view thereof;

FIG. 6 is a right side view thereof, the left side being a mirror image; and,

FIG. 7 is a bottom view thereof.

**1 Claim, 3 Drawing Sheets**



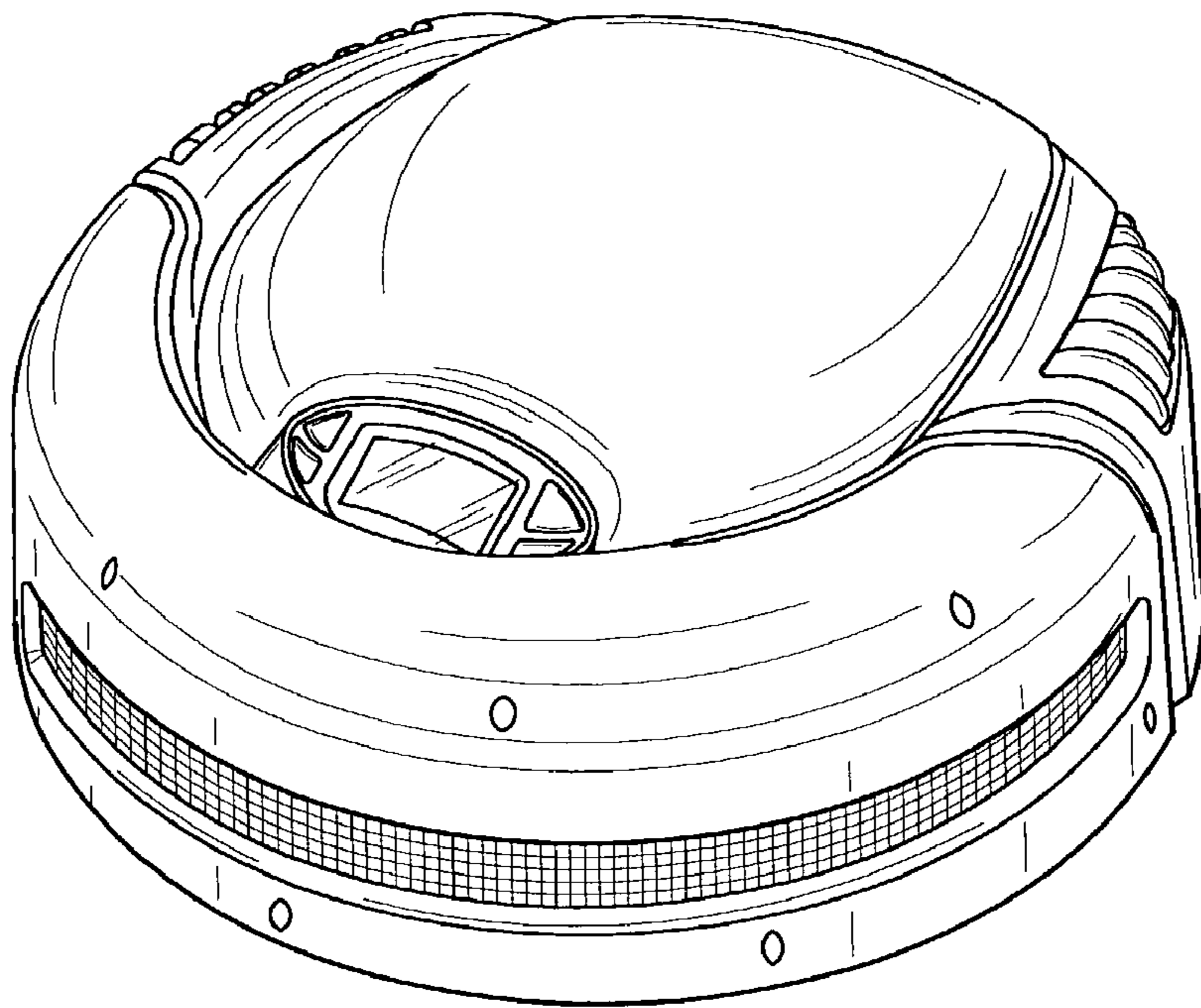


FIG. 1

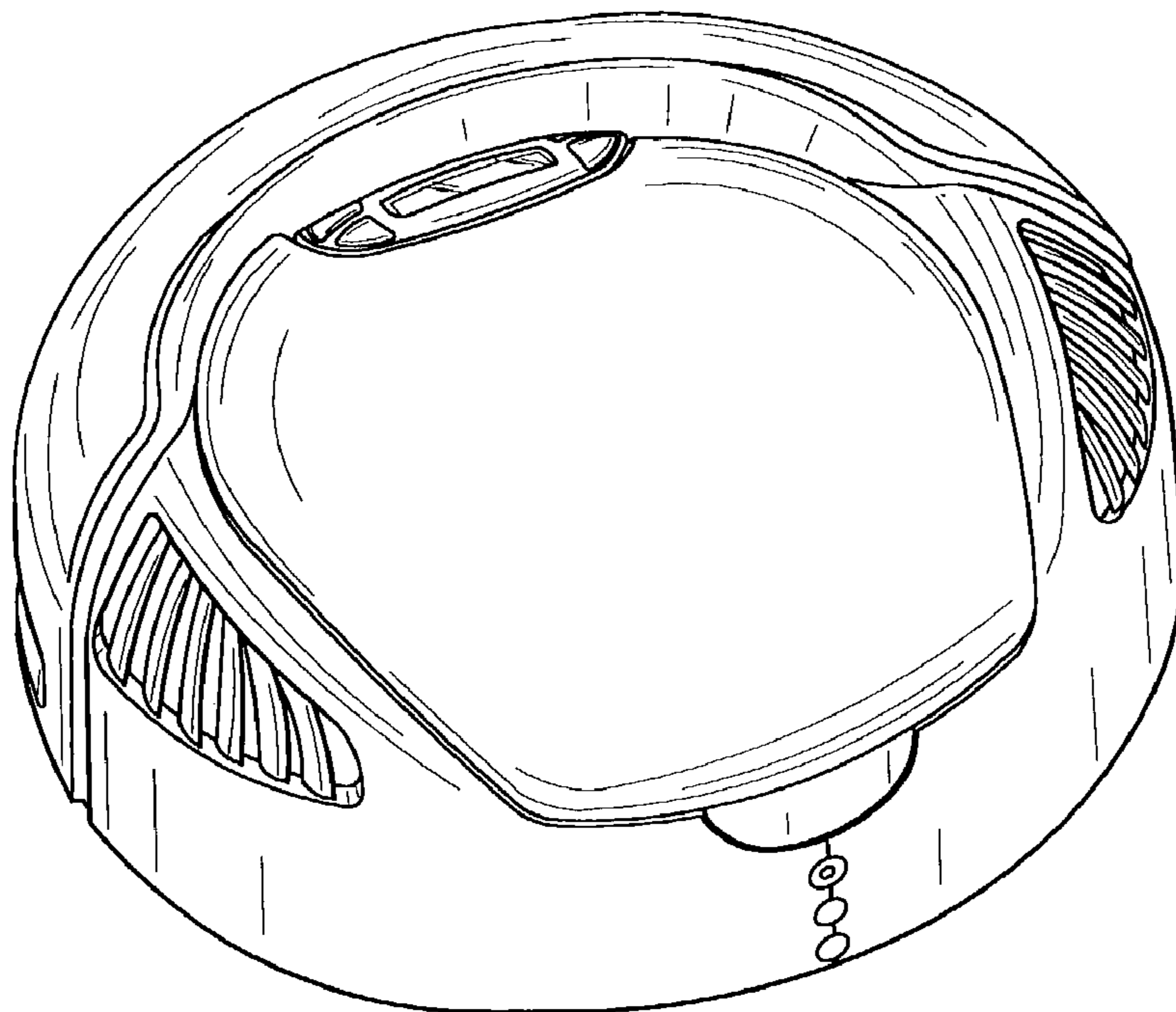


FIG. 2

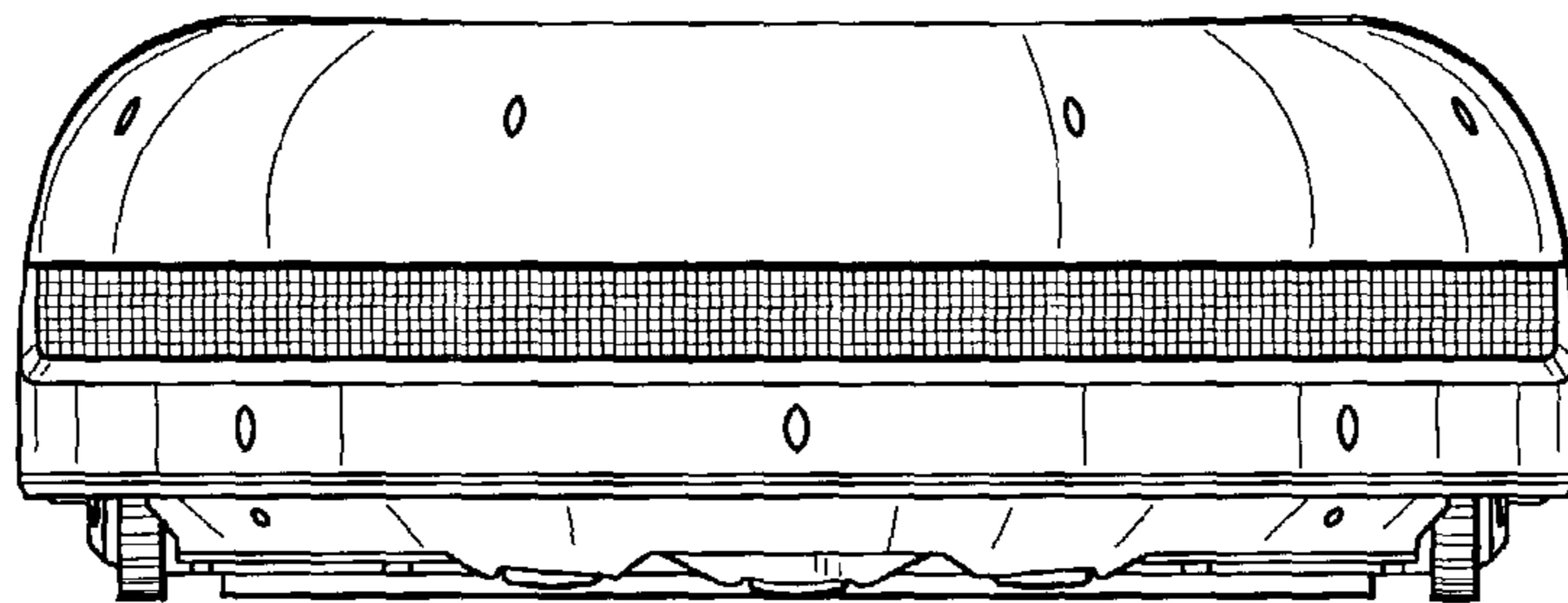


FIG. 4

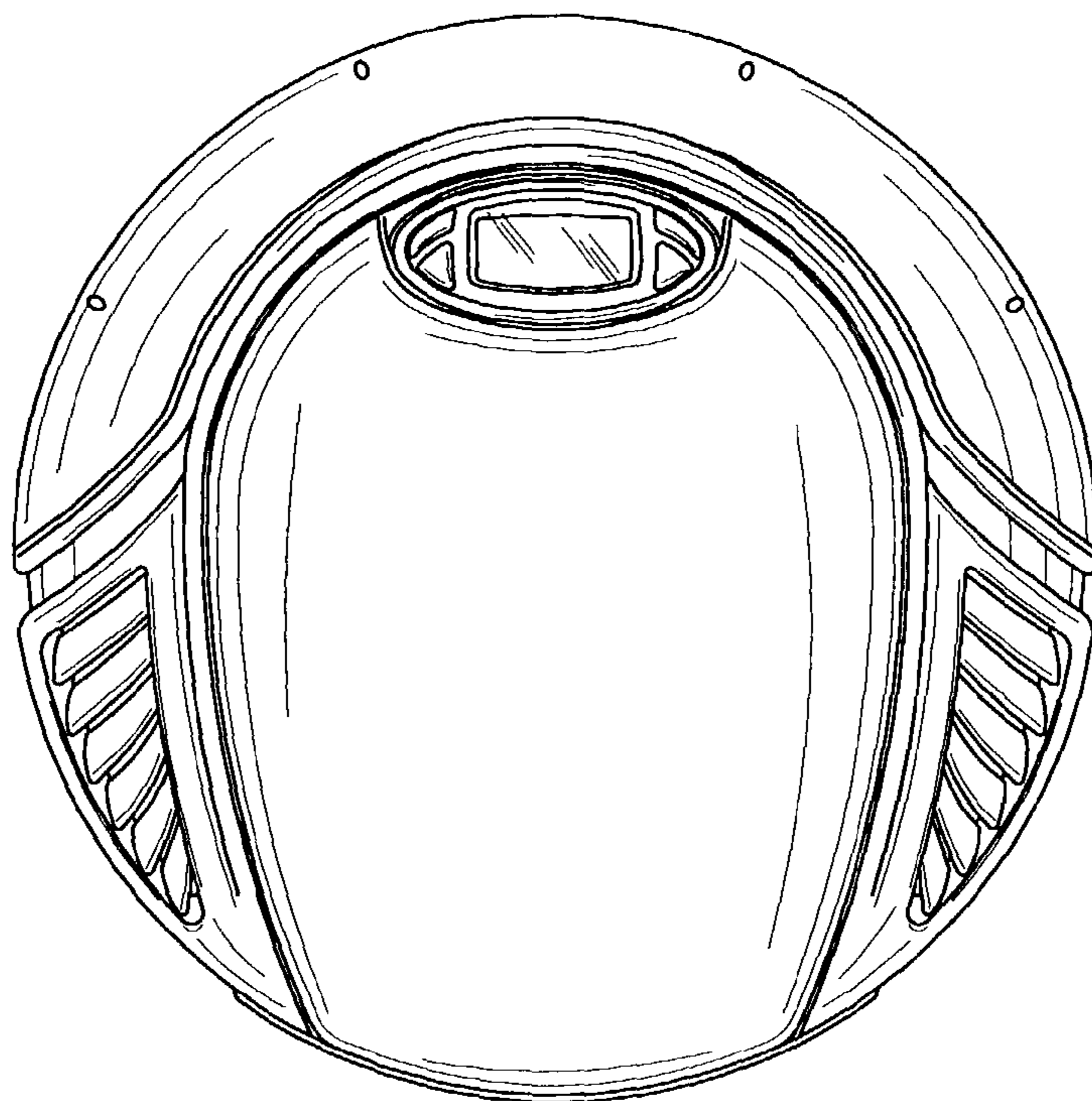


FIG. 3

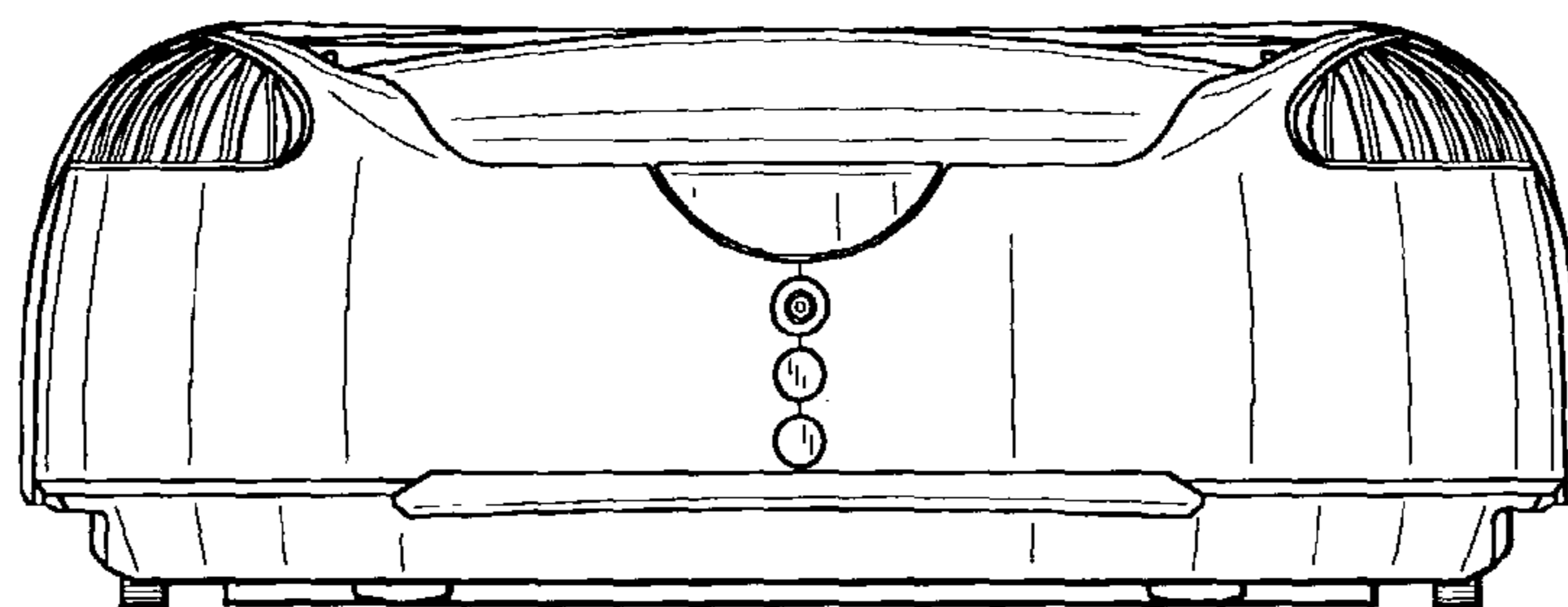


FIG. 5

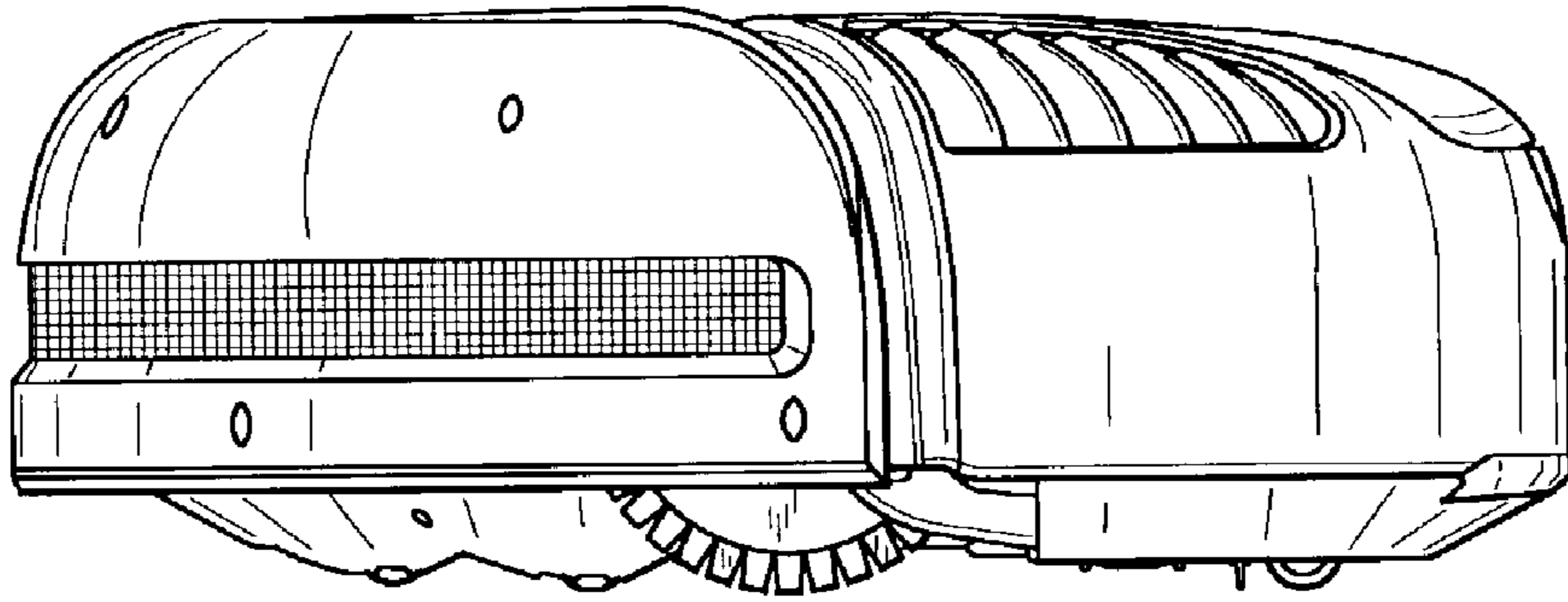


FIG. 6

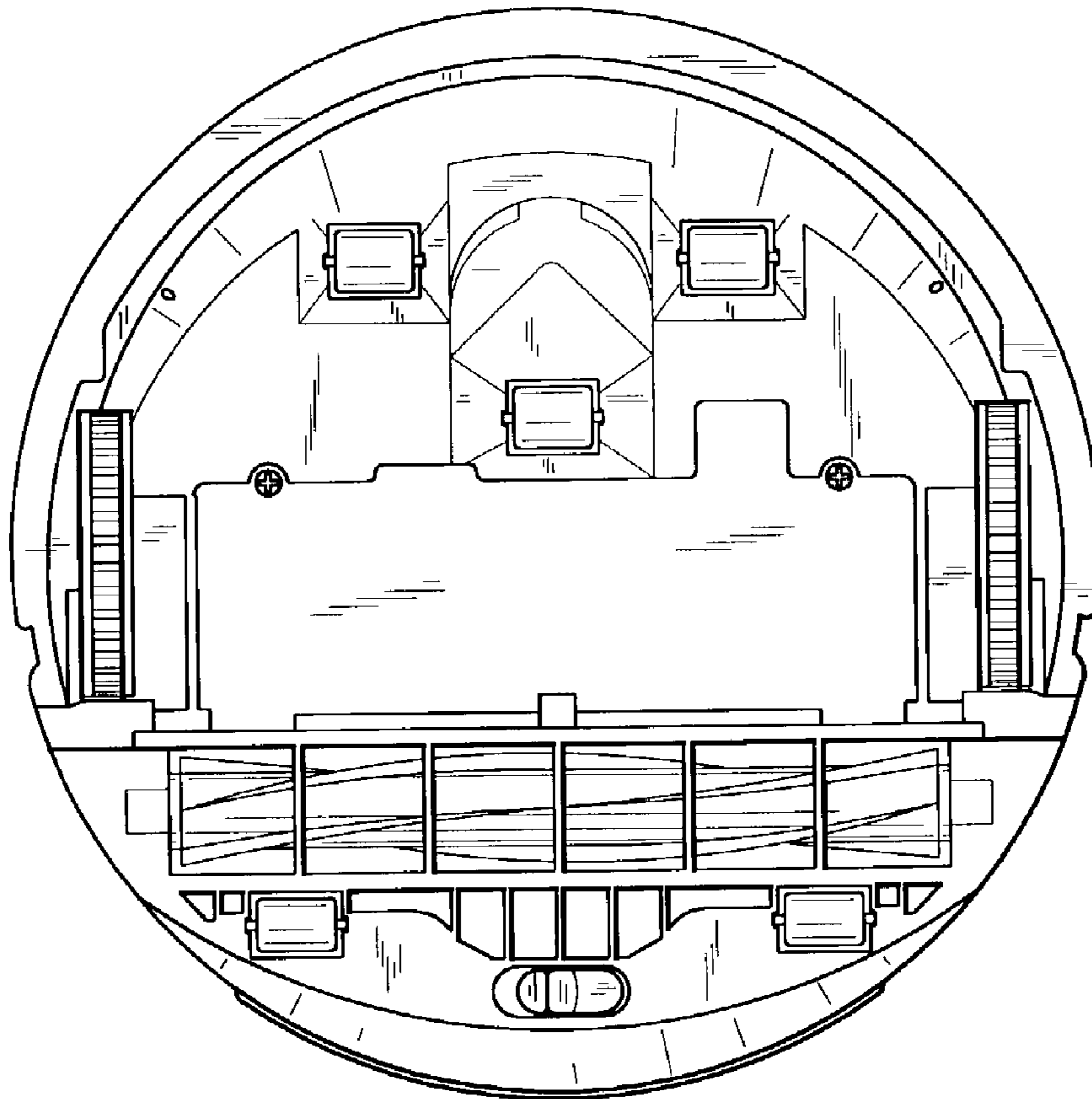


FIG. 7