



US00D602206S

(12) **United States Design Patent**
Kim

(10) **Patent No.:** **US D602,206 S**

(45) **Date of Patent:** **** Oct. 13, 2009**

(54) **HELMET**

(75) Inventor: **Joon Hyun Kim**, Daejeon (KR)

(73) Assignee: **HJC Co., Ltd.**, Gyeonggi-do (KR)

(**) Term: **14 Years**

(21) Appl. No.: **29/317,398**

(22) Filed: **Apr. 29, 2008**

(30) **Foreign Application Priority Data**

Oct. 30, 2007 (KR) 30-2007-0045279

(51) **LOC (9) Cl.** **09-03**

(52) **U.S. Cl.** **D29/107**

(58) **Field of Classification Search** D29/102-110,
D29/122; 2/410-414, 416-425, 5, 6.1-6.7,
2/15, 171.3, 7

See application file for complete search history.

(56) **References Cited**

U.S. PATENT DOCUMENTS

D331,299 S *	11/1992	Kamata	D29/107
D340,545 S *	10/1993	Kamata	D29/107
D340,546 S *	10/1993	Kamata	D29/107
D351,685 S *	10/1994	Kamata	D29/105
D361,867 S *	8/1995	Taniuchi	D29/102
D411,900 S *	7/1999	Puleo	D29/107
6,226,803 B1 *	5/2001	Tanaka	2/424

D446,357 S *	8/2001	Shida	D29/107
D485,948 S *	1/2004	Yi	D29/107
6,732,380 B1 *	5/2004	Lee	2/424
6,748,607 B1 *	6/2004	Hong	2/422
D523,993 S *	6/2006	Dion	D29/107
D549,884 S *	8/2007	Dion	D29/107
D567,451 S *	4/2008	Dion	D29/107
D571,508 S *	6/2008	Huesmann	D29/107

* cited by examiner

Primary Examiner—Ruth McInroy

(74) *Attorney, Agent, or Firm*—Pearne & Gordon LLP

(57) **CLAIM**

I claim the ornamental design for a helmet, as shown and described.

DESCRIPTION

FIG. 1 is a front elevational view of a helmet showing my new design;

FIG. 2 is a rear elevational view thereof;

FIG. 3 is a top plan view thereof;

FIG. 4 is a bottom plan view thereof;

FIG. 5 is a left side elevational view thereof;

FIG. 6 is a right side elevational view thereof; and,

FIG. 7 is a top, front and right-side perspective view thereof.

1 Claim, 7 Drawing Sheets

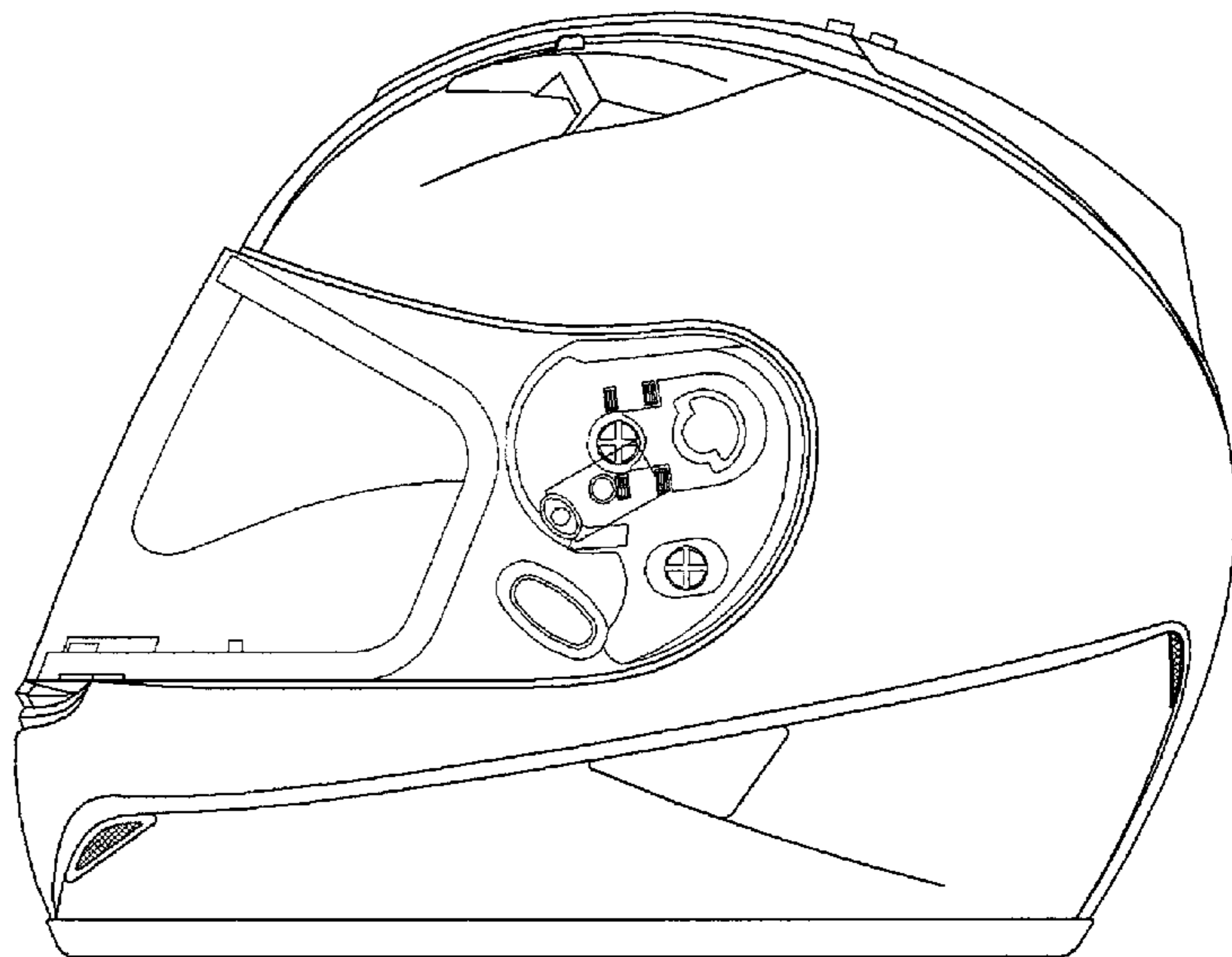
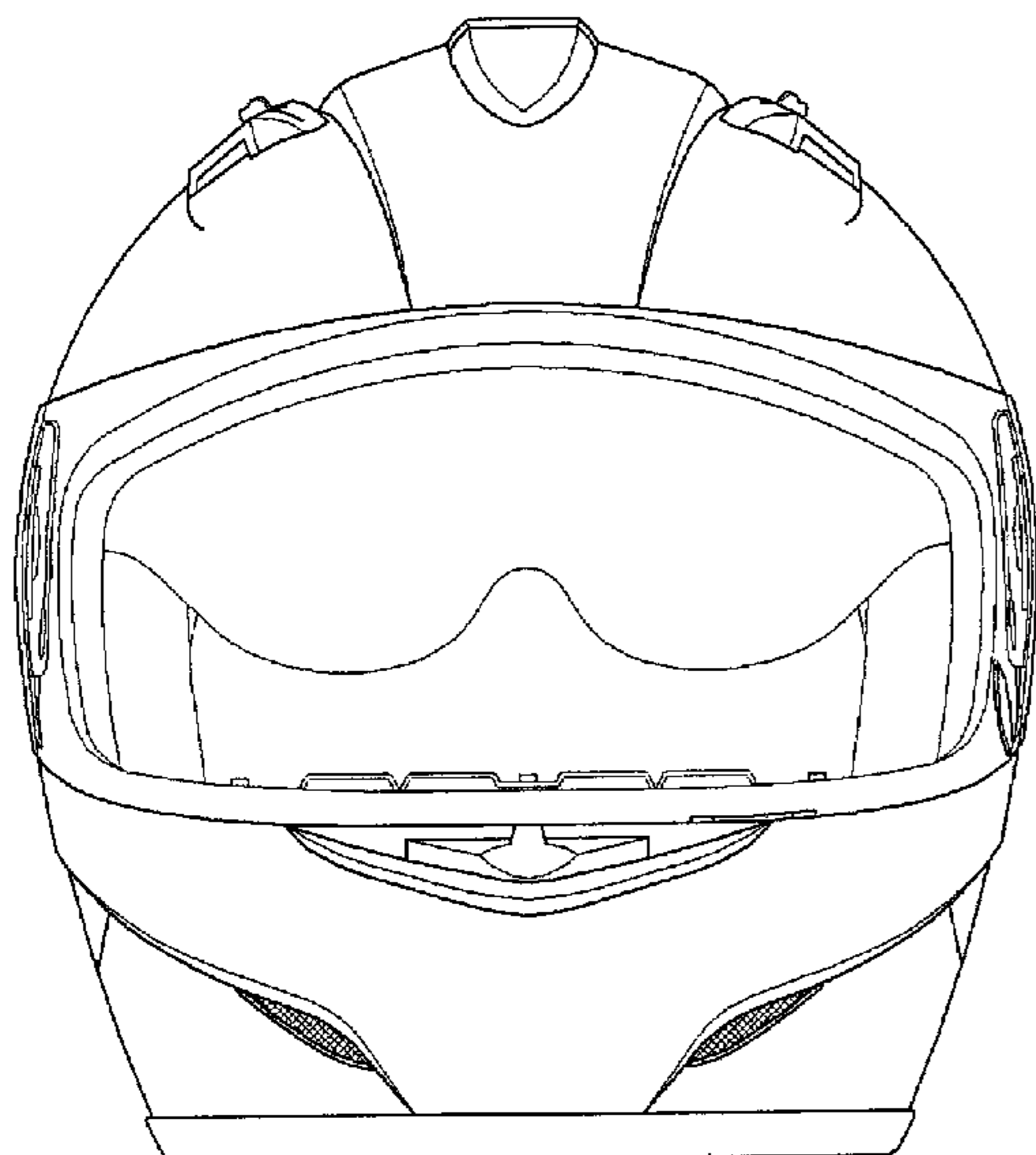


FIG. 1

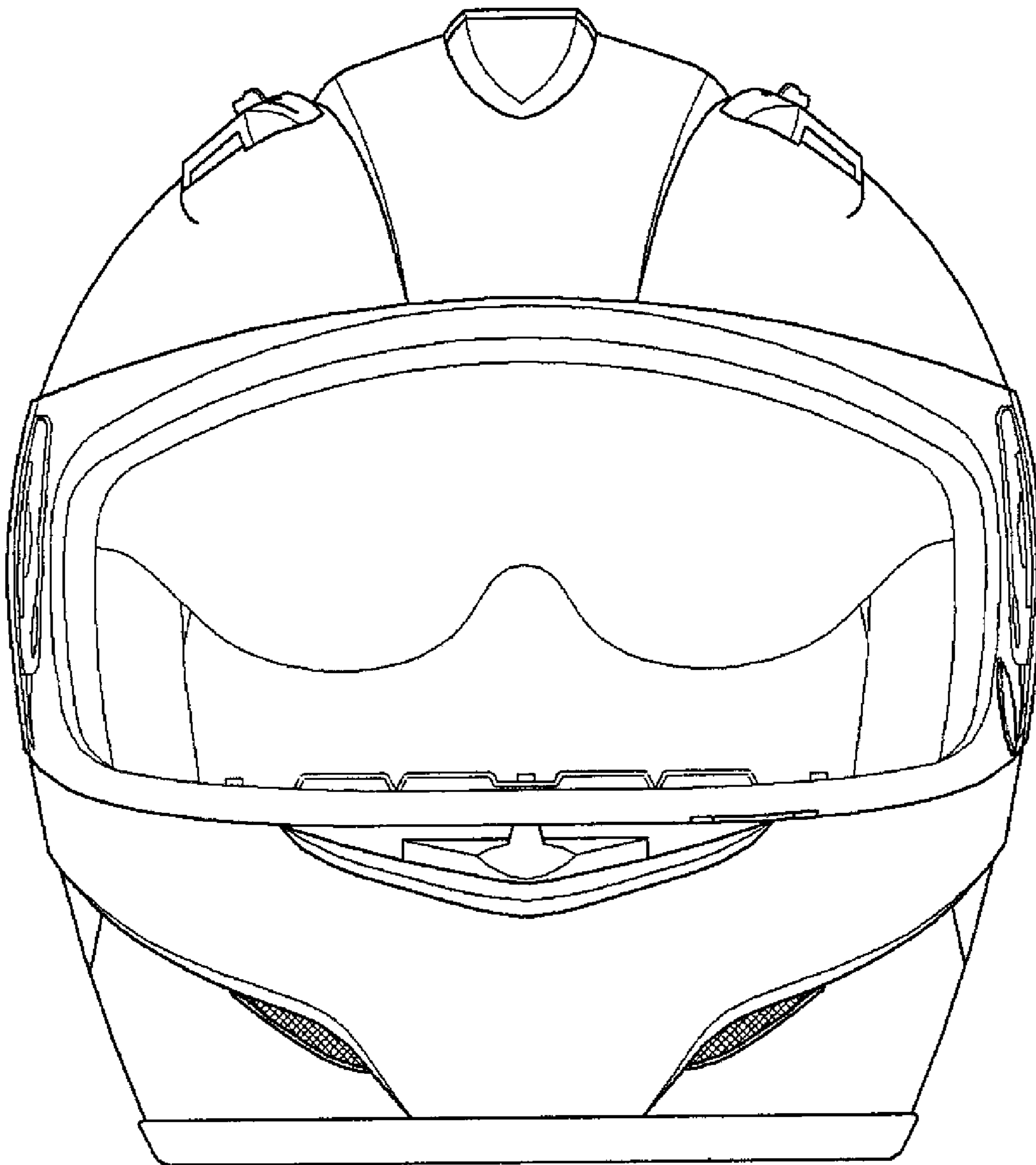


FIG. 2

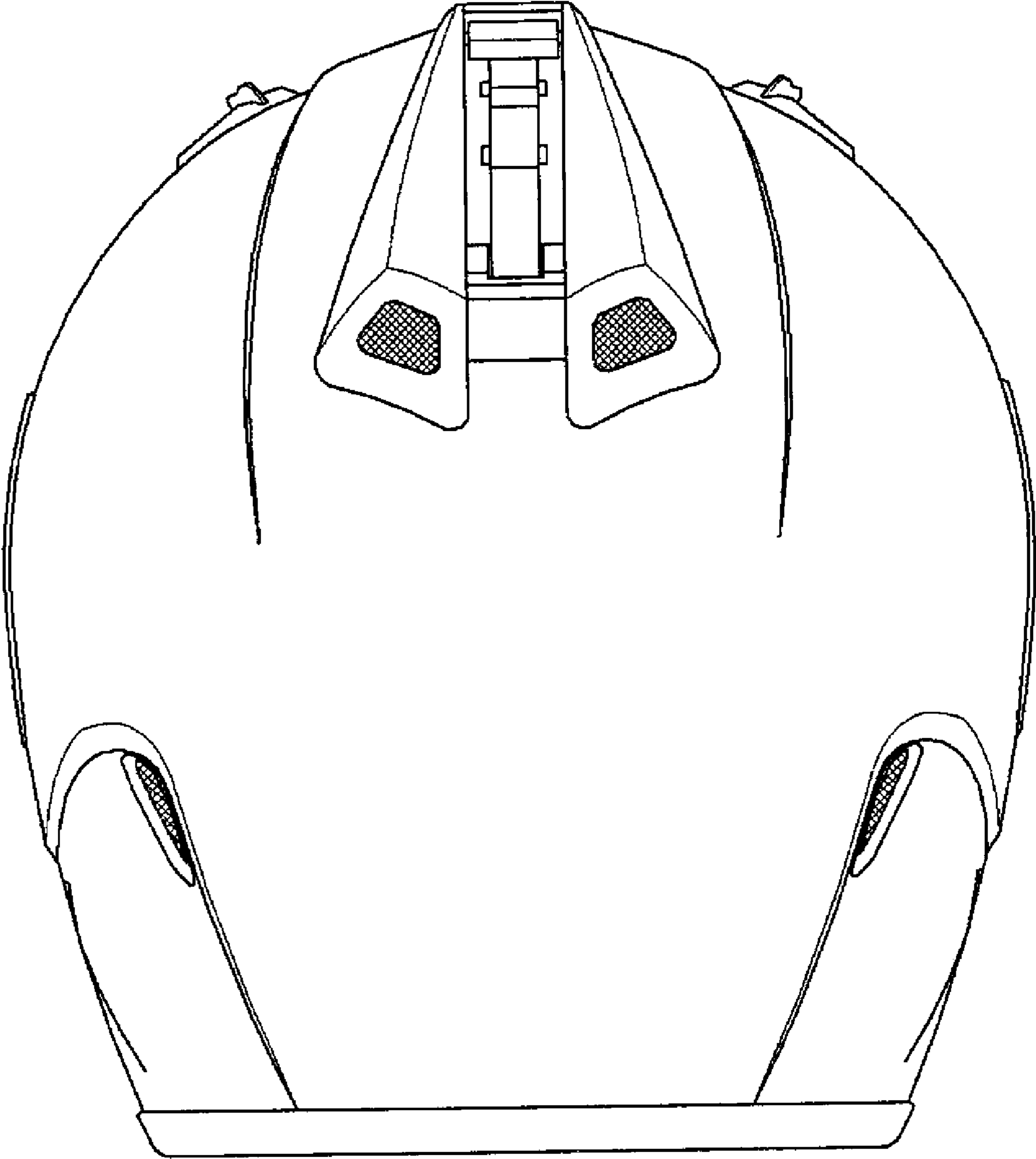


FIG. 3

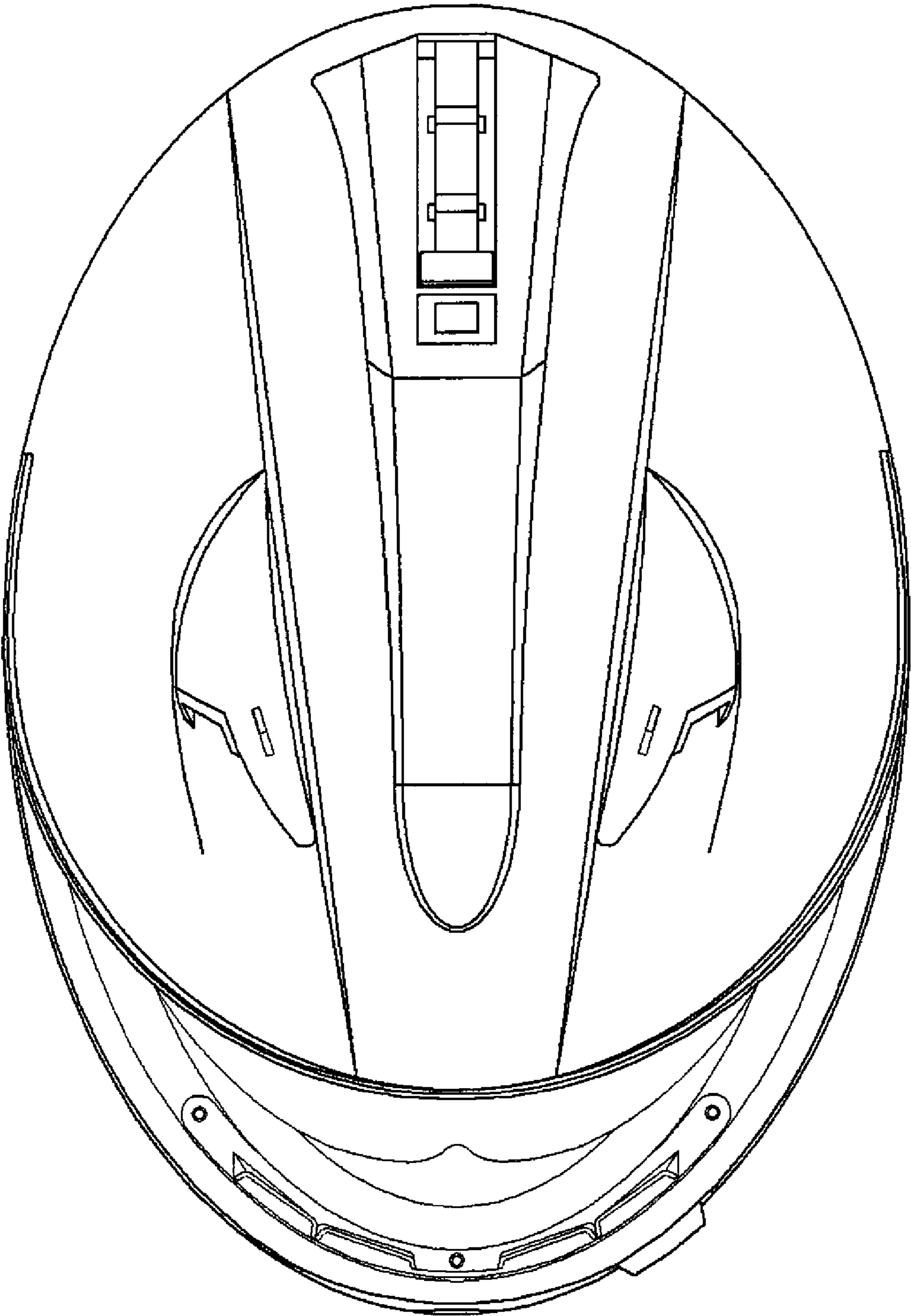


FIG. 4

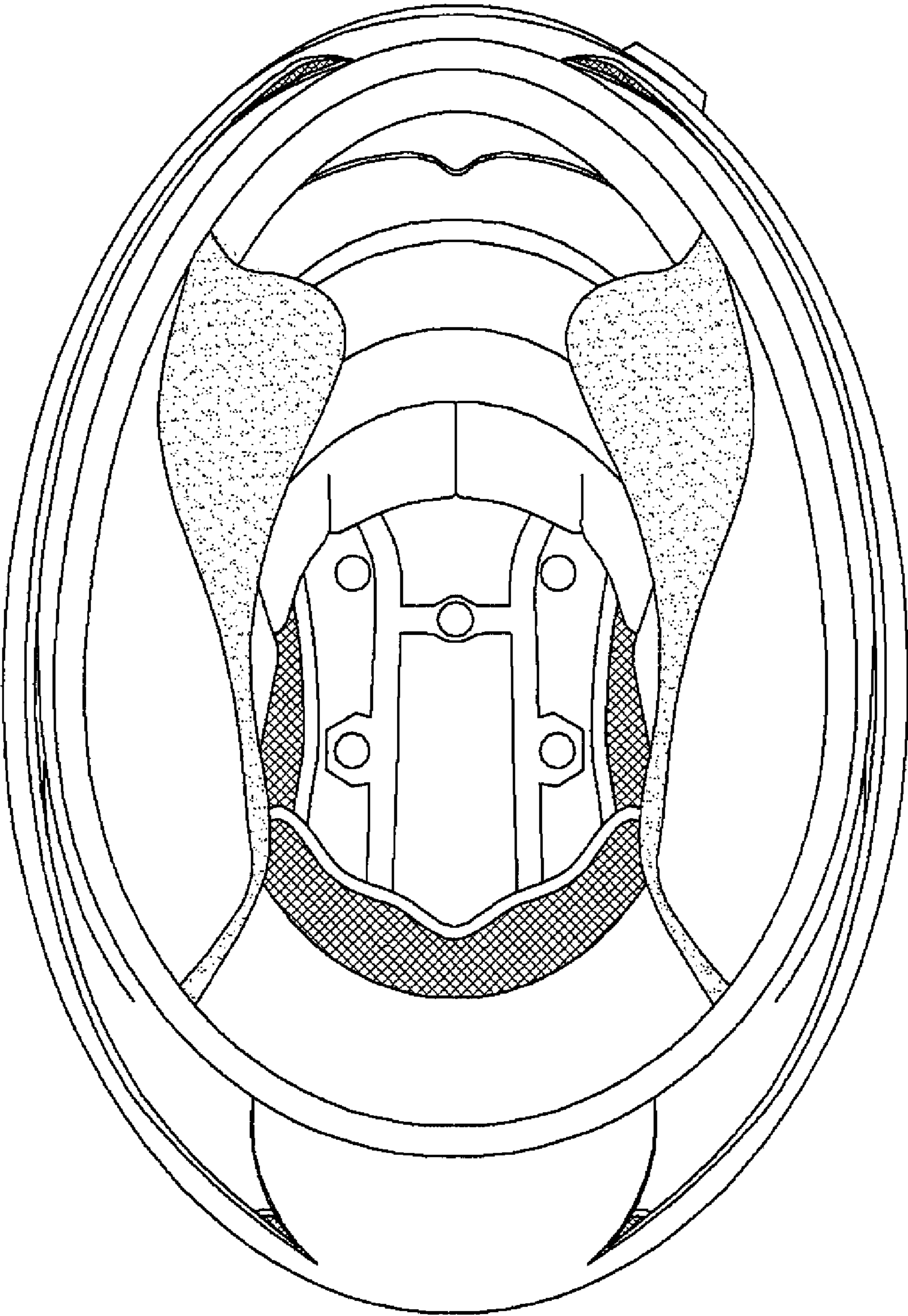


FIG. 5

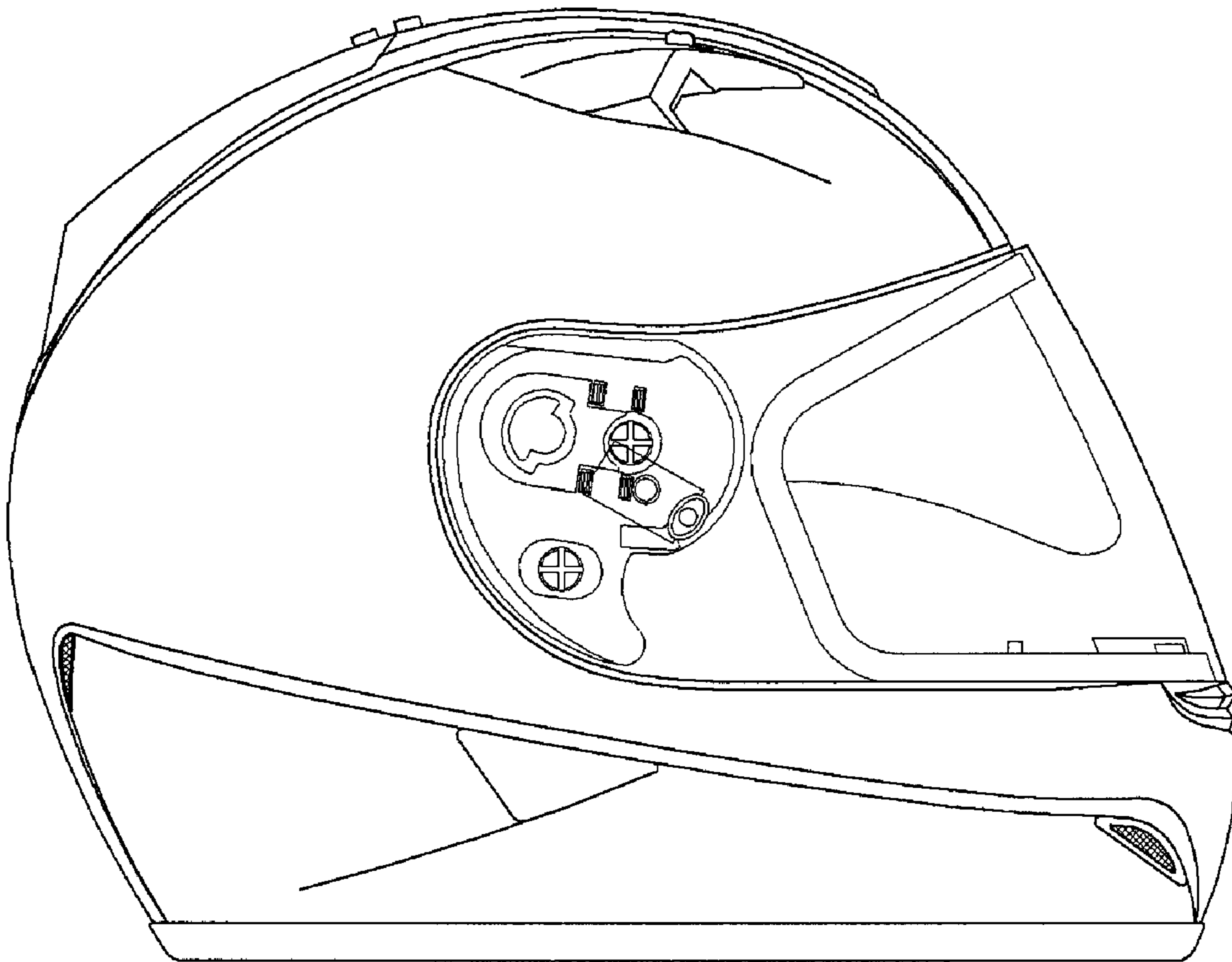


FIG. 6

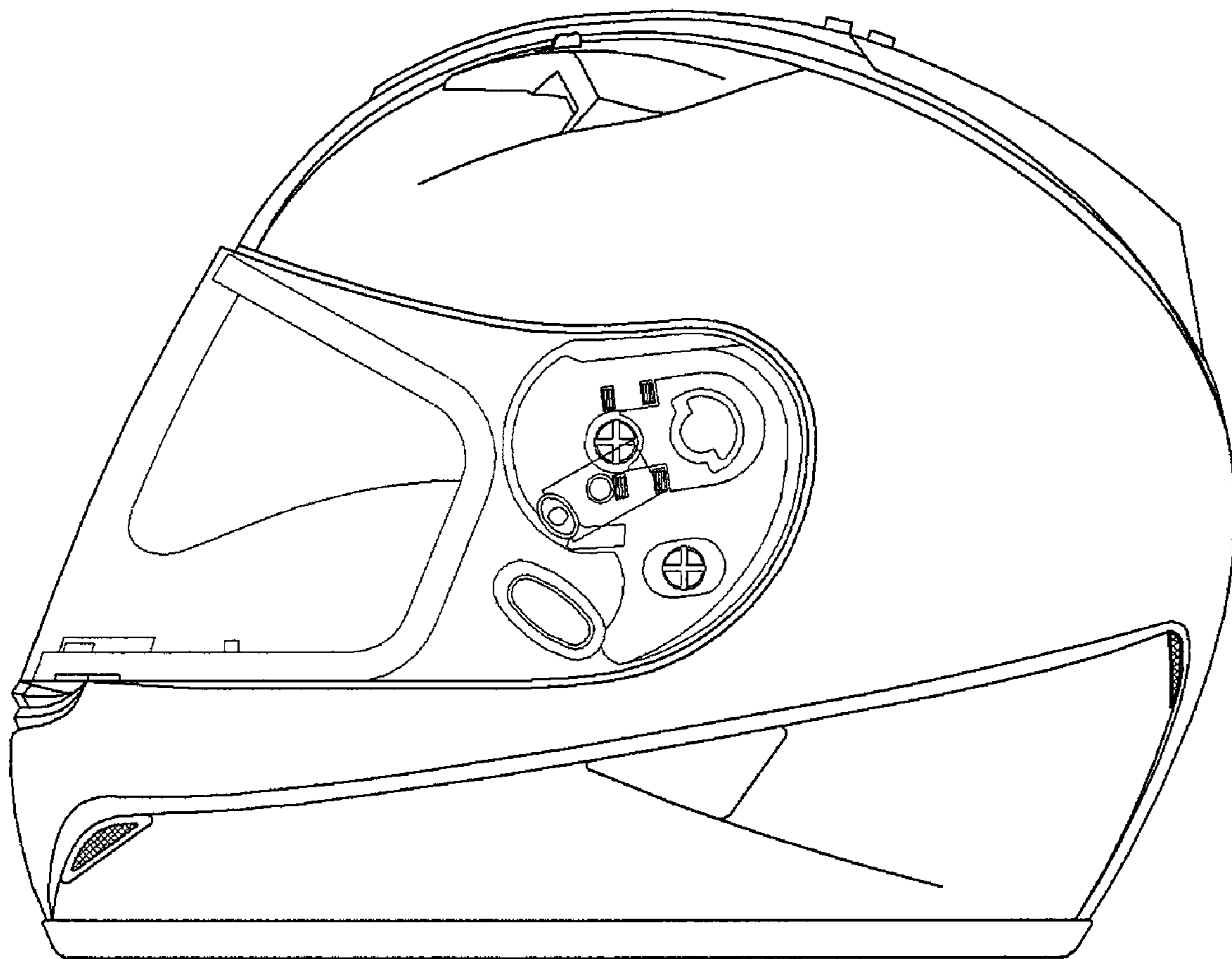


FIG. 7

