



US00D602205S

(12) **United States Design Patent**  
**Thomas et al.**

(10) **Patent No.:** **US D602,205 S**  
(45) **Date of Patent:** **\*\* Oct. 13, 2009**

(54) **PATIENT ASSISTANCE DEVICE**

D585,603 S \* 1/2009 O'Connor et al. .... D29/101.4  
D590,545 S \* 4/2009 Lesley ..... D29/101.4  
2009/0144876 A1 \* 6/2009 Pena et al. .... 2/102

(75) Inventors: **John A. Thomas**, Dallas, TX (US);  
**Phillip A. Clifford**, Dallas, TX (US)

\* cited by examiner

(73) Assignee: **SDS Medical Supply LLC**, Frisco, TX (US)

*Primary Examiner*—Robert M Spear  
*Assistant Examiner*—Barbara B Lohr  
(74) *Attorney, Agent, or Firm*—David W. Carstens; Jeffrey G. Degenfelder; Carstens & Cahoon, LLP

(\*\*) Term: **14 Years**

(21) Appl. No.: **29/335,884**

(57) **CLAIM**

(22) Filed: **Apr. 23, 2009**

The ornamental design for a patient assistance device, as shown and described.

(51) **LOC (9) Cl.** ..... **09-03**

(52) **U.S. Cl.** ..... **D29/101.4**

(58) **Field of Classification Search** ..... D29/100,  
D29/101.1, 101.2, 101.3, 101.4, 101.5, 124;  
D21/804, 805; 441/115; 2/2.5, 48, 46, 51,  
2/79, 85, 92, 93, 94, 102, 108; 5/81.1 R;  
362/108

**DESCRIPTION**

See application file for complete search history.

FIG. 1 is a front perspective view of the patient assistance device of the present invention in a closed position;  
FIG. 2 is a front elevation view thereof;  
FIG. 3 is a back elevation view thereof;  
FIG. 4 is a right side elevation view thereof, the left side elevation view being a mirror image thereof;  
FIG. 5 is a top plan view of the patient assistance device of the present invention in an opened position; and,  
FIG. 6 is a bottom plan view thereof.

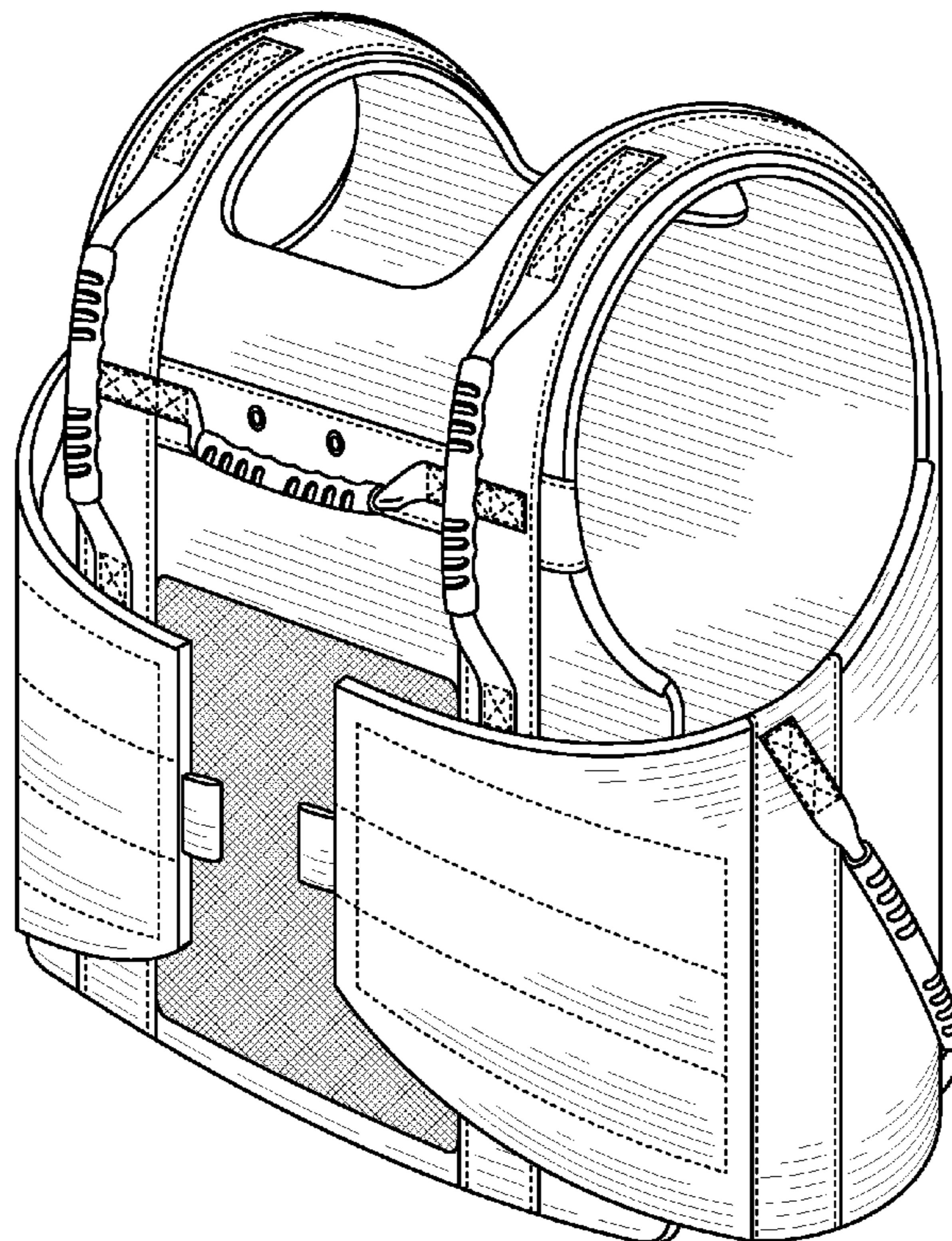
(56) **References Cited**

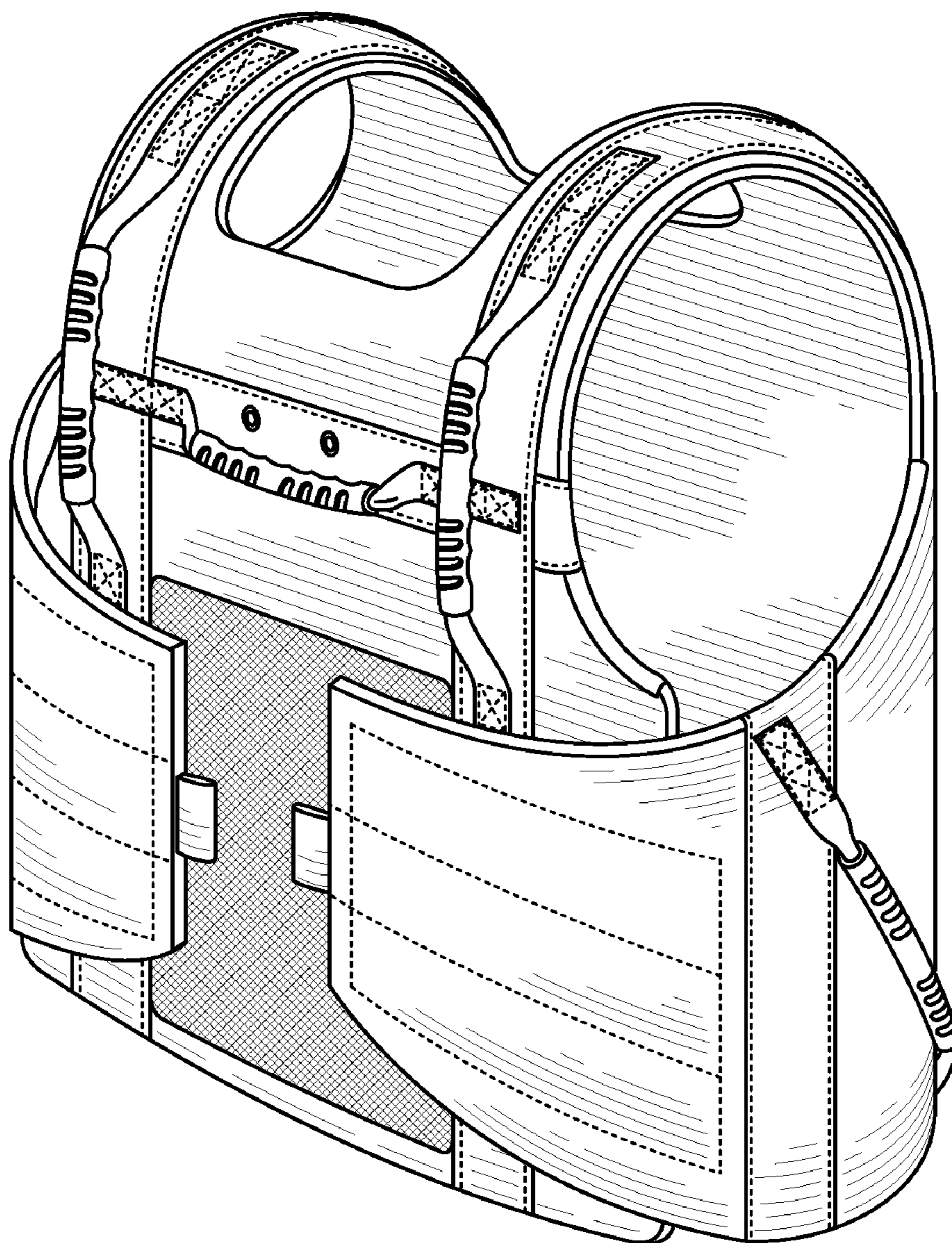
**U.S. PATENT DOCUMENTS**

4,194,257 A \* 3/1980 Martin et al. .... 441/115  
D315,242 S \* 3/1991 Ruge ..... D29/101.4  
D340,543 S \* 10/1993 Ashton ..... D29/101.4  
D353,256 S \* 12/1994 VanZelf ..... D29/101.4  
D484,648 S \* 12/2003 Fiorini et al. .... D29/100  
D490,135 S \* 5/2004 Henson ..... D21/805  
D548,401 S \* 8/2007 Tinao ..... D29/101.4

The broken line drawing depicts stitching, which forms part of the claimed design.

**1 Claim, 5 Drawing Sheets**





**FIG. 1**



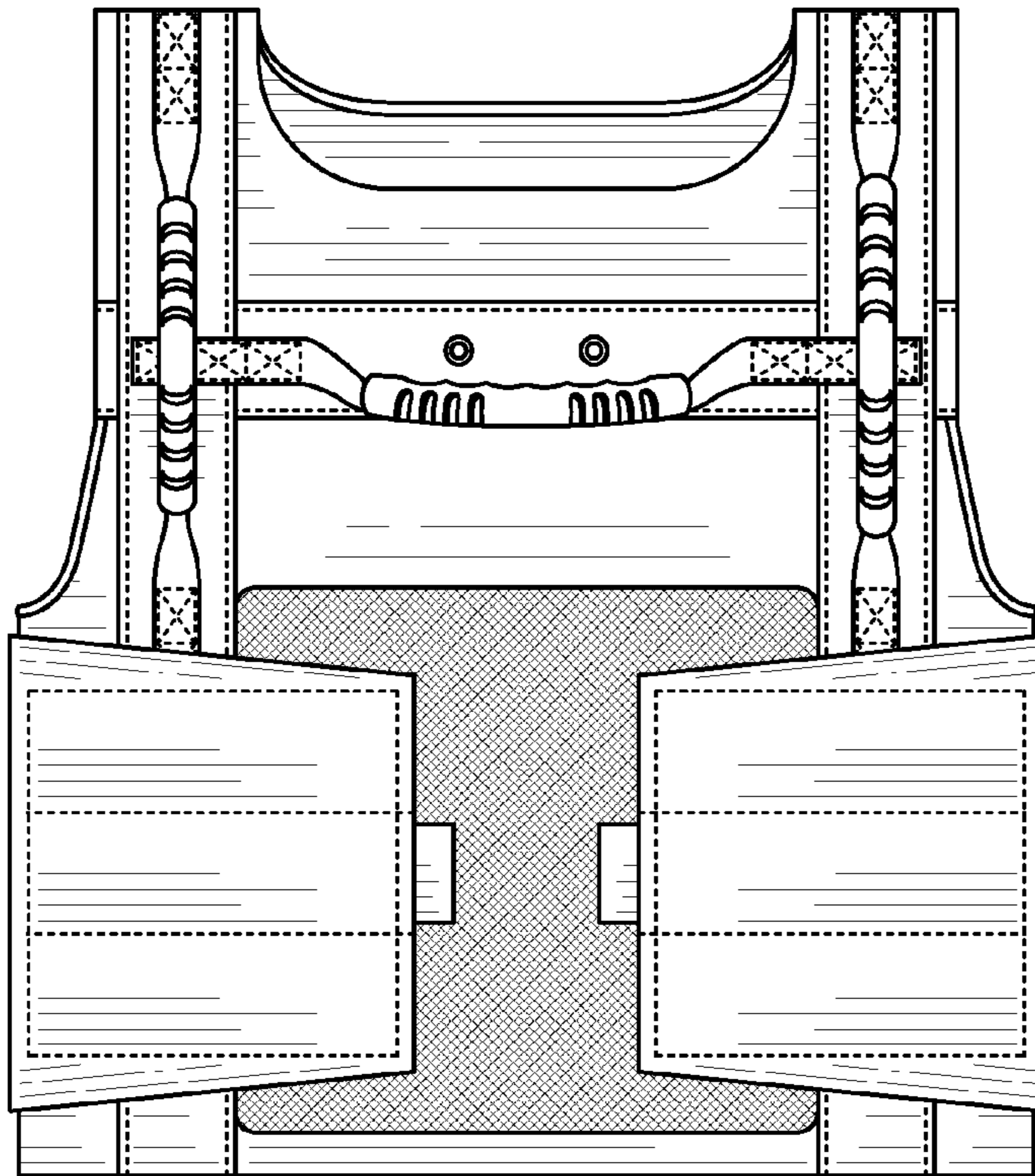


FIG. 2

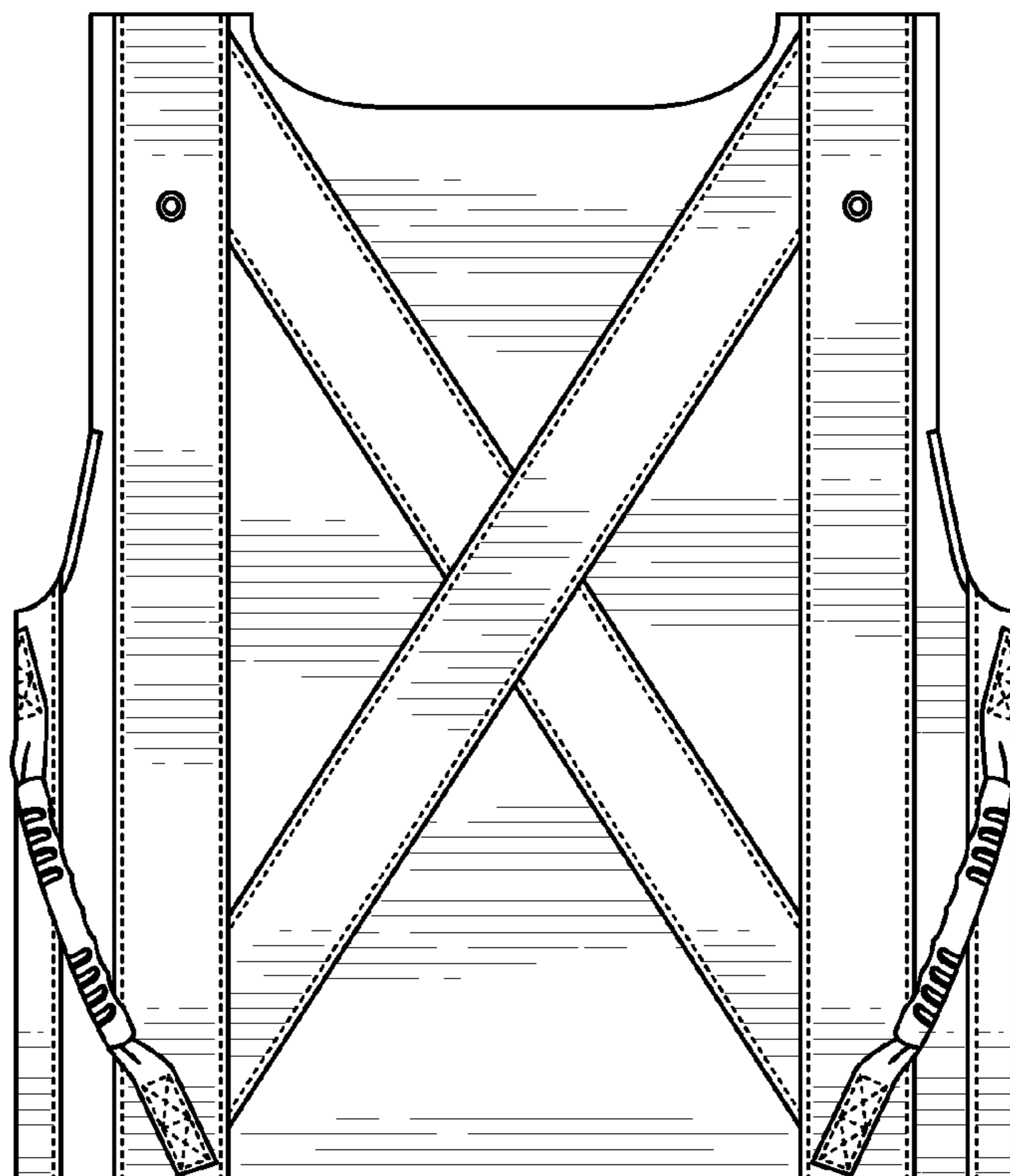
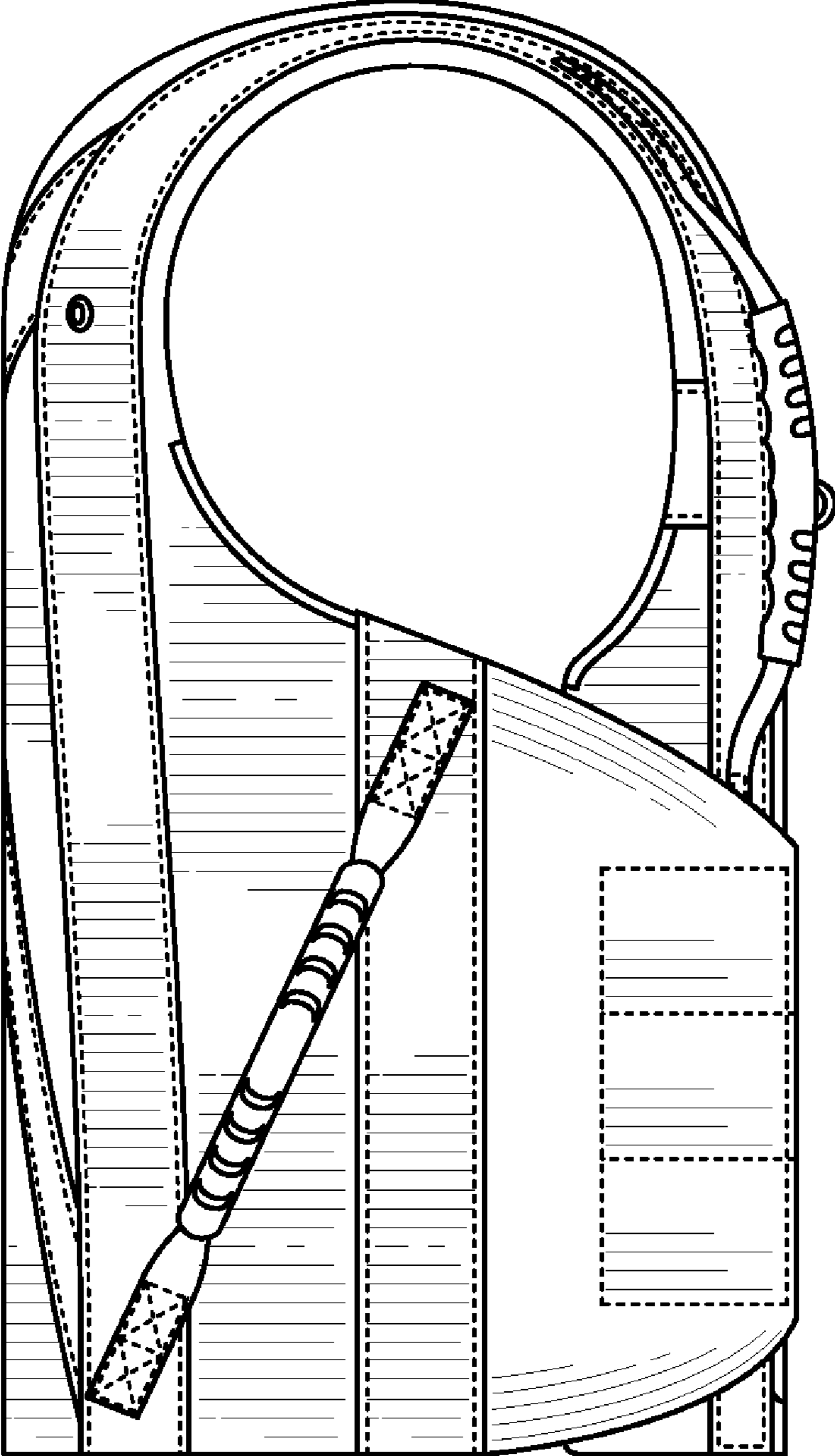


FIG. 3



**FIG. 4**

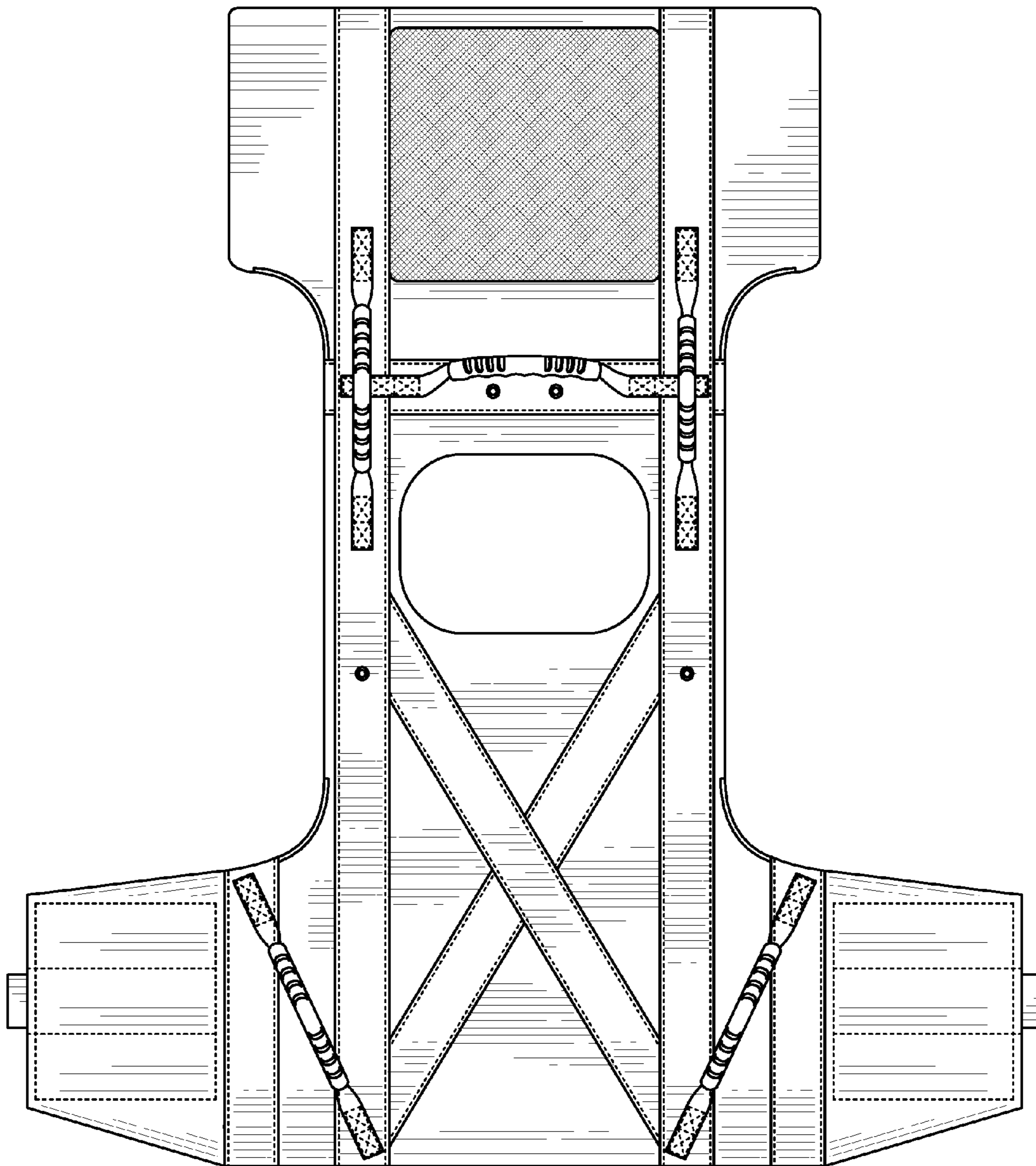
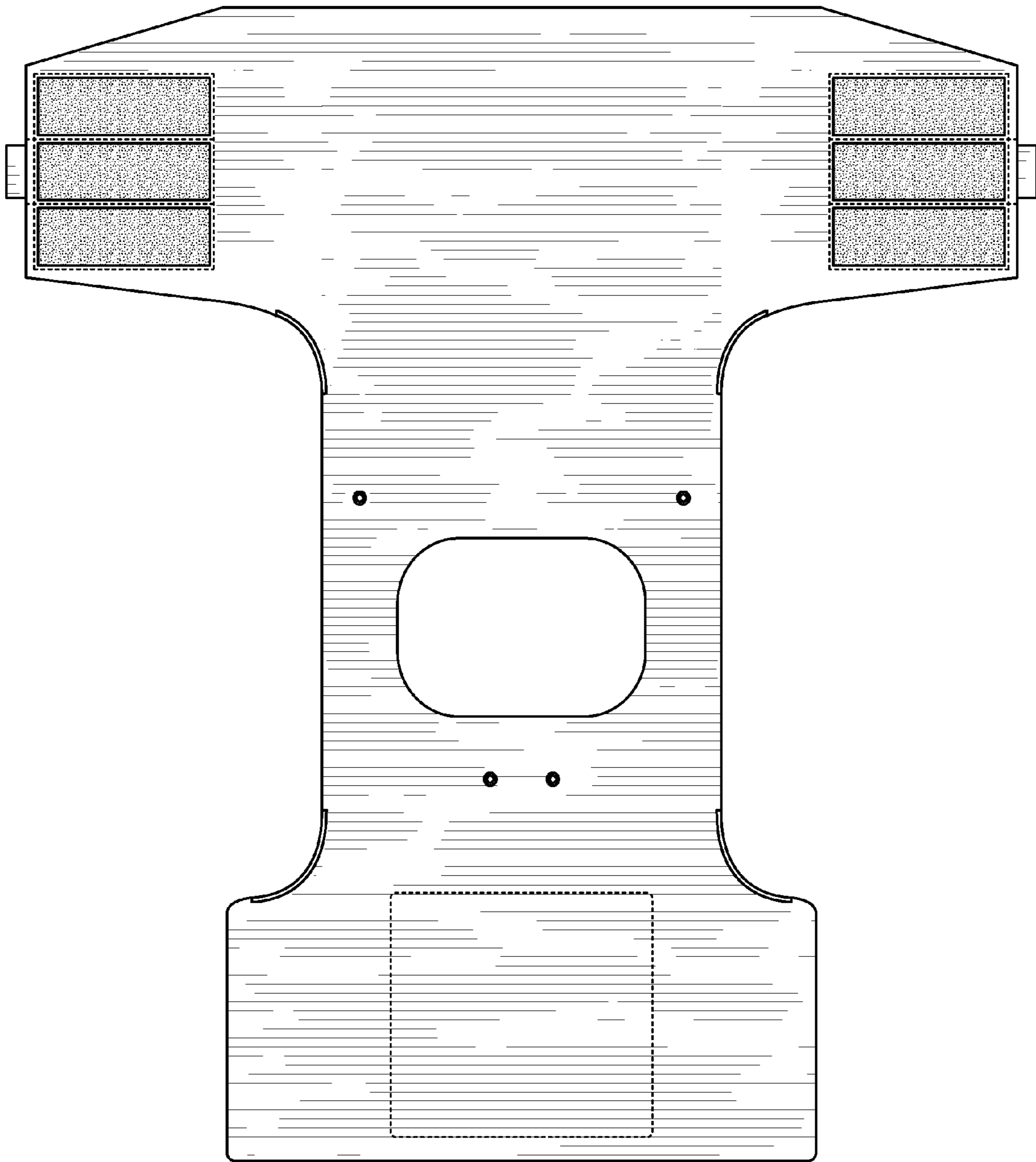


FIG. 5



**FIG. 6**