



US00D602204S

(12) **United States Design Patent**  
**Rusley**

(10) **Patent No.:**        **US D602,204 S**  
(45) **Date of Patent:**   **\*\* Oct. 13, 2009**

(54) **SHOULDER STRAP FOR USE IN VEHICLES**

D358,625 S \* 5/1995 Enriquez, Jr. .... D21/686  
D374,313 S \* 10/1996 Munoz ..... D29/101.1  
6,086,158 A 7/2000 Zeoli

(76) Inventor: **Shanterral Rusley**, 13107 Glenwyck,  
Houston, TX (US) 77045

\* cited by examiner

(\*\*) Term:       **14 Years**

*Primary Examiner*—Robert M Spear  
*Assistant Examiner*—Barbara B Lohr

(21) Appl. No.: **29/289,258**

(22) Filed:       **Jul. 16, 2007**

(57)                               **CLAIM**

(51) **LOC (9) Cl.** ..... **09-03**

The ornamental design for a shoulder strap for use in vehicles,  
as shown and described.

(52) **U.S. Cl.** ..... **D29/101.1**

(58) **Field of Classification Search** ..... D29/10,  
D29/11, 101.1; D21/686; 128/875; 244/151 R;  
224/157; 297/484

**DESCRIPTION**

See application file for complete search history.

FIG. 1 is a perspective view of a shoulder strap for use in  
vehicles showing my new design;

(56)                               **References Cited**

FIG. 2 is a perspective view showing the present invention in  
an engaged condition of use;

U.S. PATENT DOCUMENTS

FIG. 3 is a top plan view thereof;

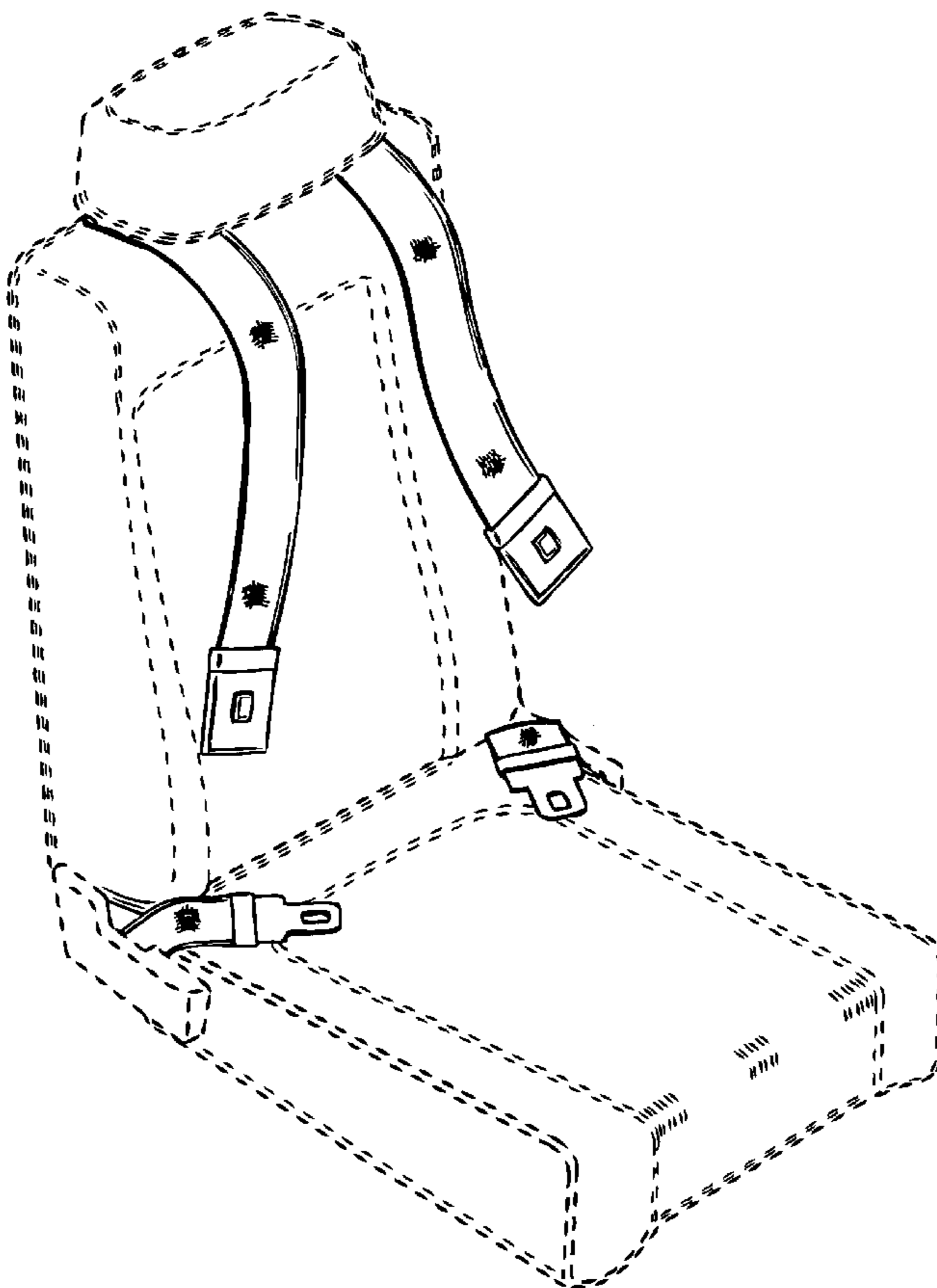
707,610 A *	8/1902	Moeller	.....	224/157
1,123,278 A *	1/1915	Hallett	.....	297/484
1,697,363 A *	1/1929	Losey	.....	297/484
2,516,004 A *	7/1950	Kajdan	.....	244/151 R
3,191,599 A *	6/1965	Kendell	.....	128/875
3,799,577 A	3/1974	Colucci		
5,215,354 A	6/1993	Grene		
D342,348 S *	12/1993	Panarelli	.....	D29/101.1

FIG. 4 is a front elevational thereof; and,

FIG. 5 is a side elevational view thereof.

The indicia or broken lines shown on the figures are for  
environmental purposes only and are hereby disclaimed as  
forming no part of Applicant's claimed design.

**1 Claim, 4 Drawing Sheets**



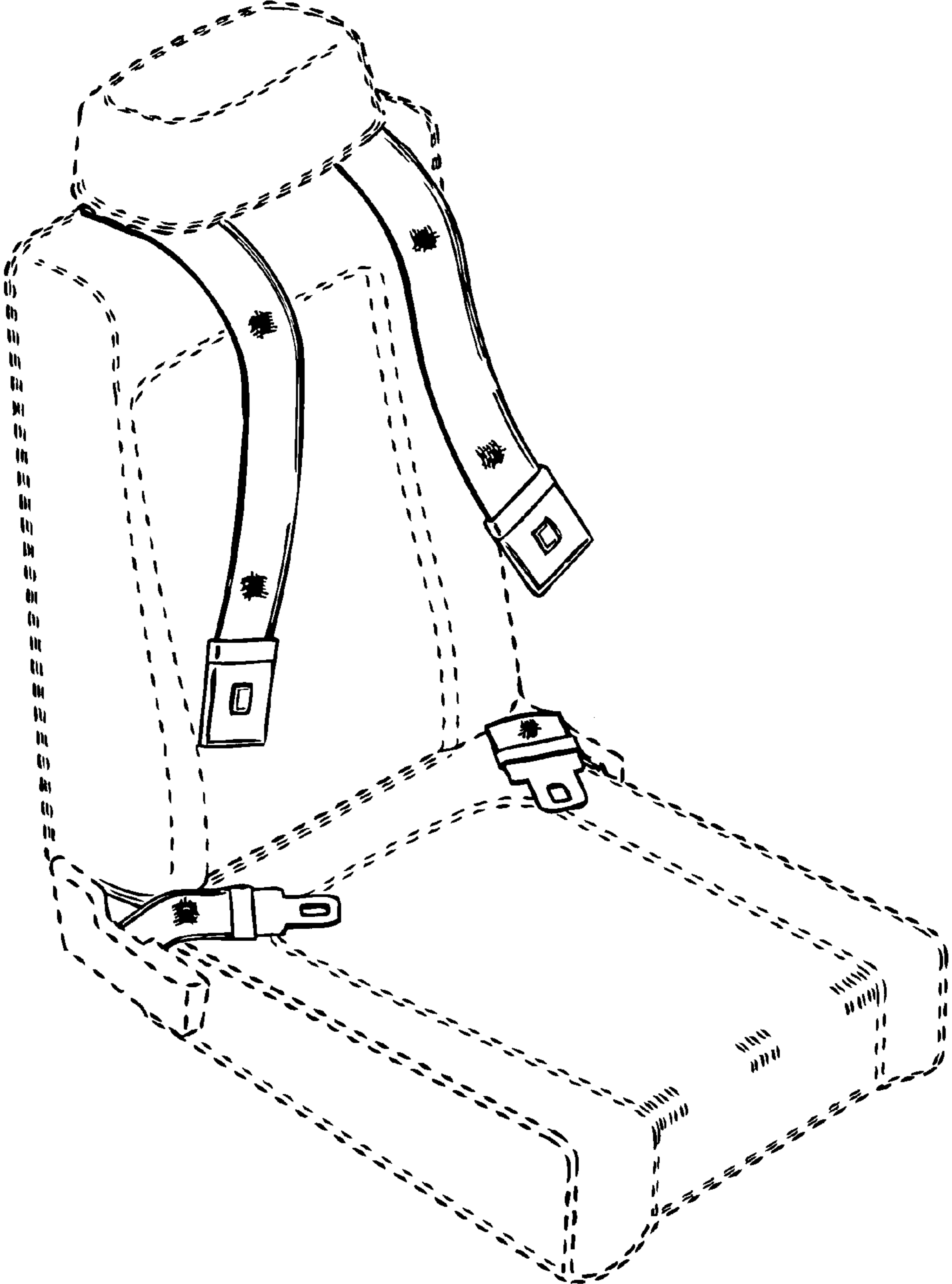


FIG. 1

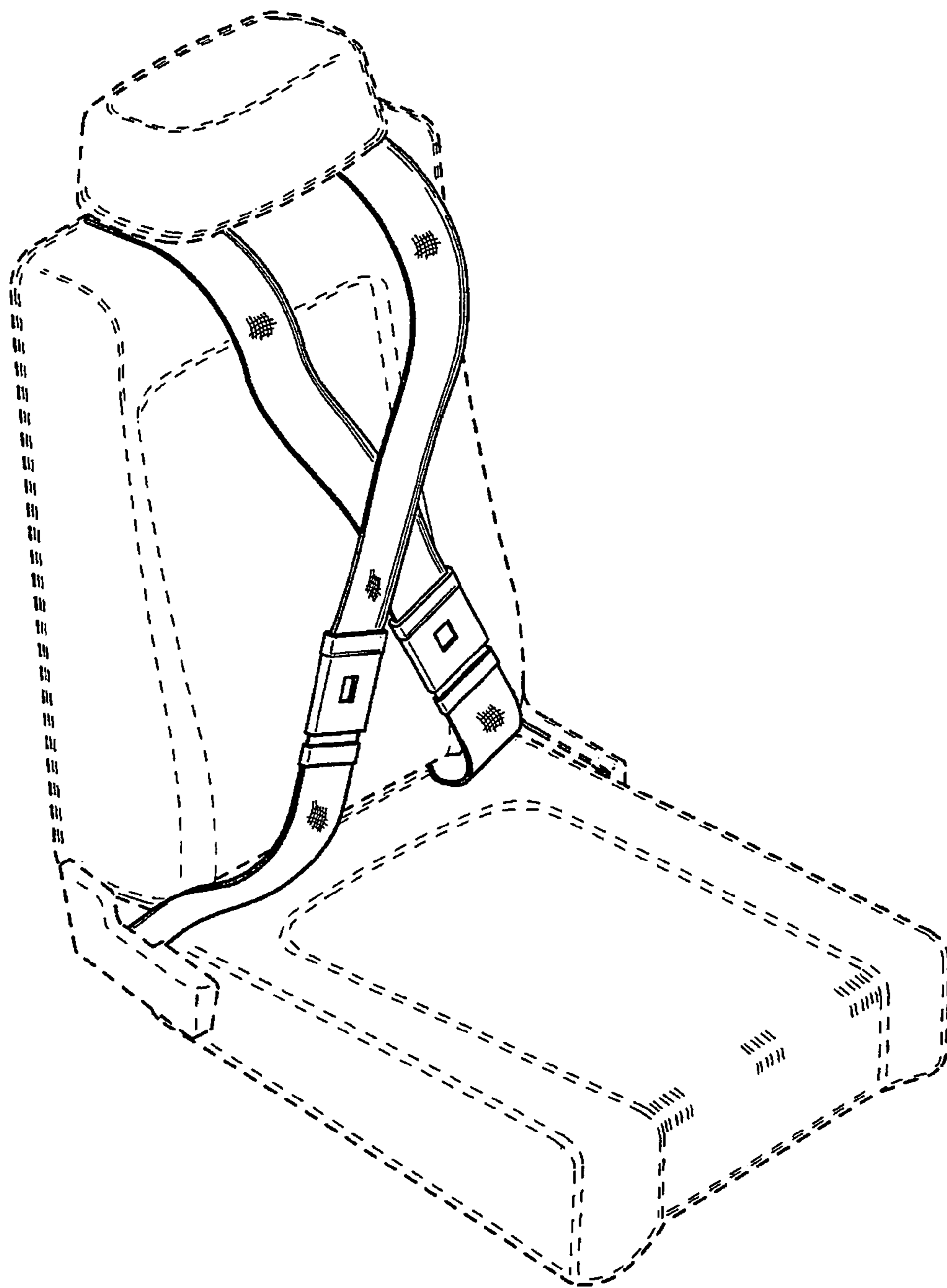


FIG. 2

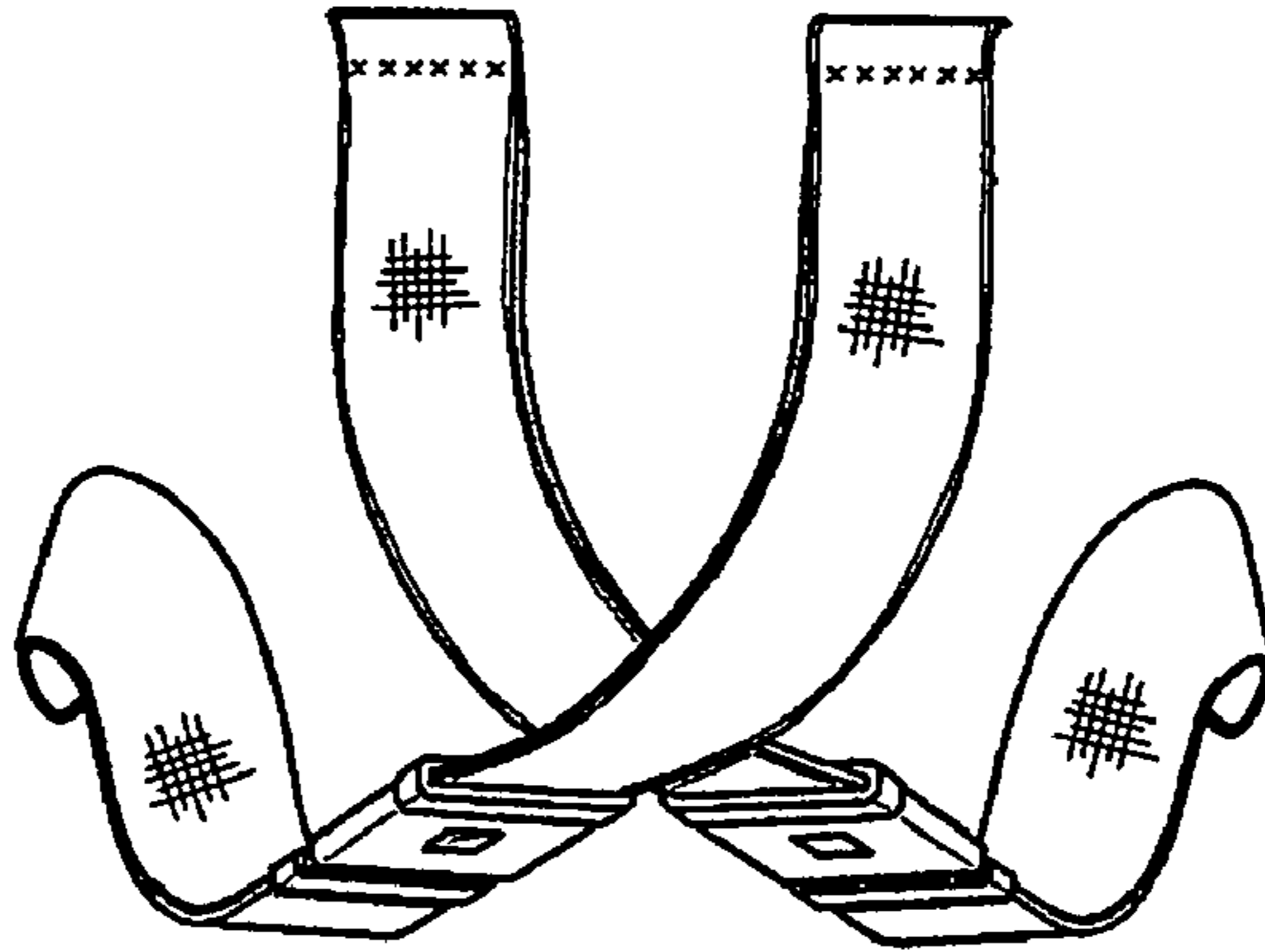


FIG. 3

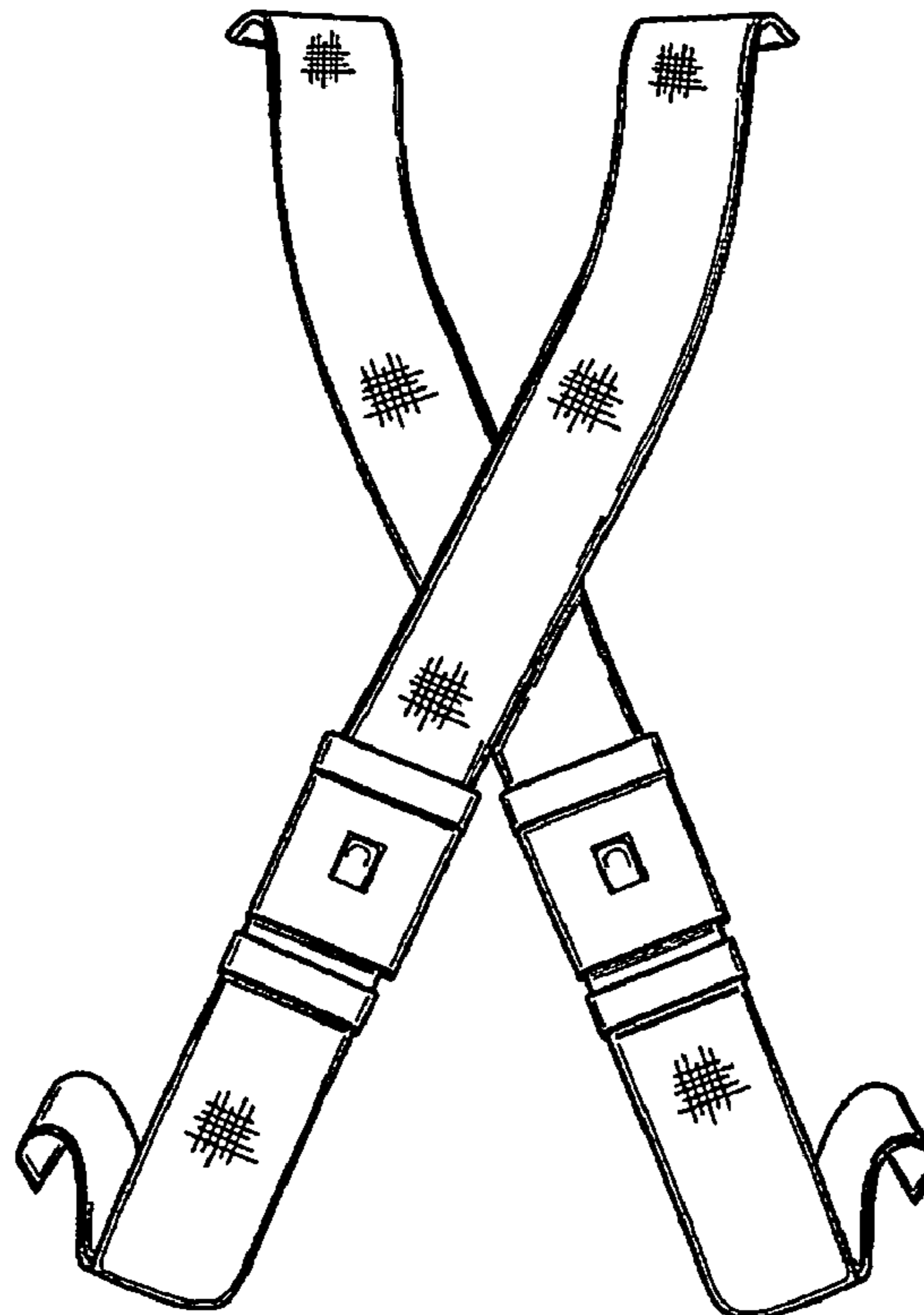


FIG. 4

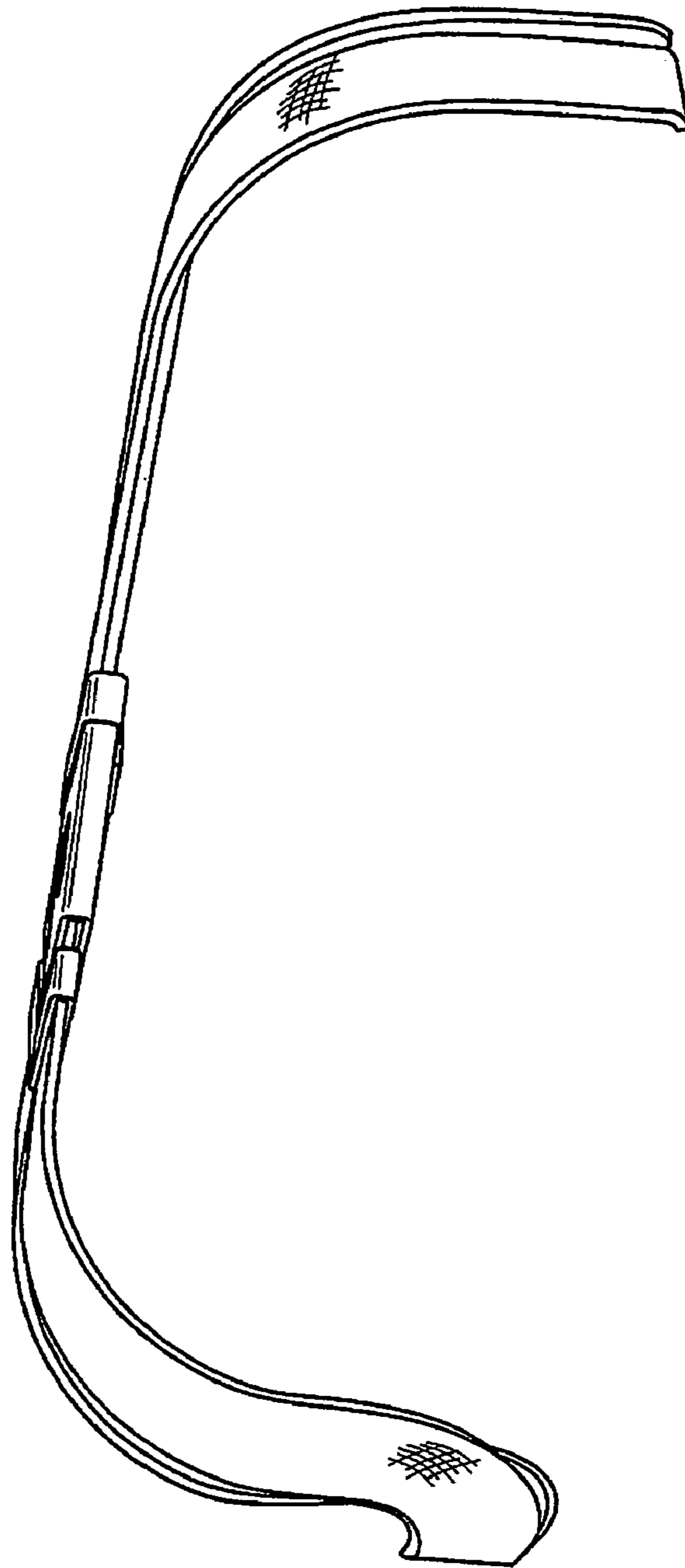


FIG. 5