



US00D602203S

(12) **United States Design Patent**  
**Pearl et al.**

(10) **Patent No.:** **US D602,203 S**

(45) **Date of Patent:** **\*\* \*Oct. 13, 2009**

(54) **HAND AND NAIL BRUSH**

(75) Inventors: **Jayson Pearl**, Shorewood, WI (US);  
**Michael Young**, Mukwonago, WI (US);  
**Paul Omdoll**, Waukesha, WI (US); **Jon**  
**Alling**, Madison, WI (US); **Brian**  
**Brigham**, Chicago, IL (US)

(73) Assignee: **The Colman Group, Inc.**, Elkhorn, WI  
(US)

(\*\*) Term: **14 Years**

(21) Appl. No.: **29/225,537**

(22) Filed: **Mar. 17, 2005**

(51) **LOC (9) Cl.** ..... **28-03**

(52) **U.S. Cl.** ..... **D28/63**

(58) **Field of Classification Search** ..... D4/121,  
D4/132, 134, 137, 138; D28/63; 15/159.1,  
15/160, 244.1, 104.92, 205.2; 4/605, 606,  
4/628, 654; 401/289

See application file for complete search history.

(56) **References Cited**

**U.S. PATENT DOCUMENTS**

1,329,694	A *	2/1920	Beck	.....	15/160
2,019,705	A *	11/1935	Hubert	.....	15/74
2,779,962	A *	2/1957	Cooper	.....	401/42
4,228,559	A *	10/1980	Kirk	.....	15/75
D295,464	S	5/1988	Stephens		
6,029,292	A	2/2000	Leiferman et al.		
6,481,040	B1	11/2002	McIntyre		
6,536,065	B2	3/2003	Forrest		
6,598,256	B2	7/2003	Theriault		
6,629,799	B2 *	10/2003	Flores, Jr.	.....	401/270

2006/0123572 A1\* 6/2006 Faiola ..... 15/104.92

**OTHER PUBLICATIONS**

Carlisle Food Service Brush Kit Hand & Nail Each and Brush Nail 5  
Each [online]. Chef2Chef, LLC, © 1999-2008, [retrieved on Feb. 24,  
2008]. Retrieved from the Internet: <URL: [http://foodservice.chef2chef.net/restaurant-supplies-equipment/bar-supplies/Hand\\_Sinks/index.htm](http://foodservice.chef2chef.net/restaurant-supplies-equipment/bar-supplies/Hand_Sinks/index.htm)>.\*

\* cited by examiner

*Primary Examiner*—Melanie H Tung

*Assistant Examiner*—Lavone D Tabor

(74) *Attorney, Agent, or Firm*—Boyle Fredrickson, S.C.

(57) **CLAIM**

The ornamental design for a hand and nail brush, substan-  
tially as shown and described.

**DESCRIPTION**

FIG. 1 is a left side view of a hand and nail brush in accord-  
ance with the present invention;

FIG. 2 is a right side view of the hand and nail brush of FIG.  
1;

FIG. 3 is a front view of the hand and nail brush of FIG. 1;

FIG. 4 is a rear view of the hand and nail brush of FIG. 1;

FIG. 5 is a top view of the hand and nail brush of FIG. 1;

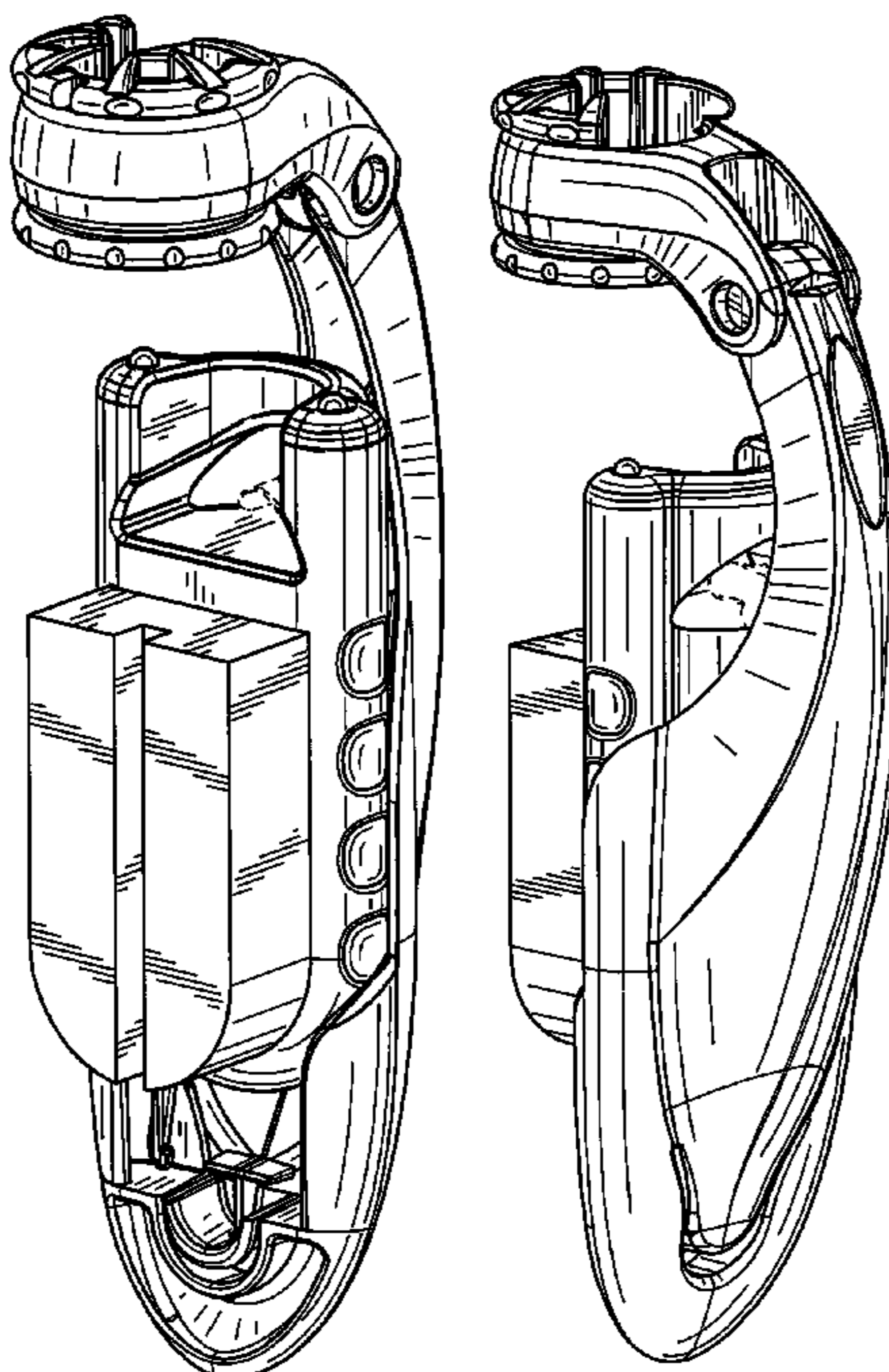
FIG. 6 is a bottom view of the hand and nail brush of FIG. 1;

FIG. 7 is a front perspective view of the hand and nail brush  
of FIG. 1; and,

FIG. 8 is a rear perspective view of a hand and nail brush of  
FIG. 1.

The broken lines shown in FIGS. 1–3, 7, and 8 illustrate a  
portion of brush that forms no part of the claimed design.

**1 Claim, 7 Drawing Sheets**



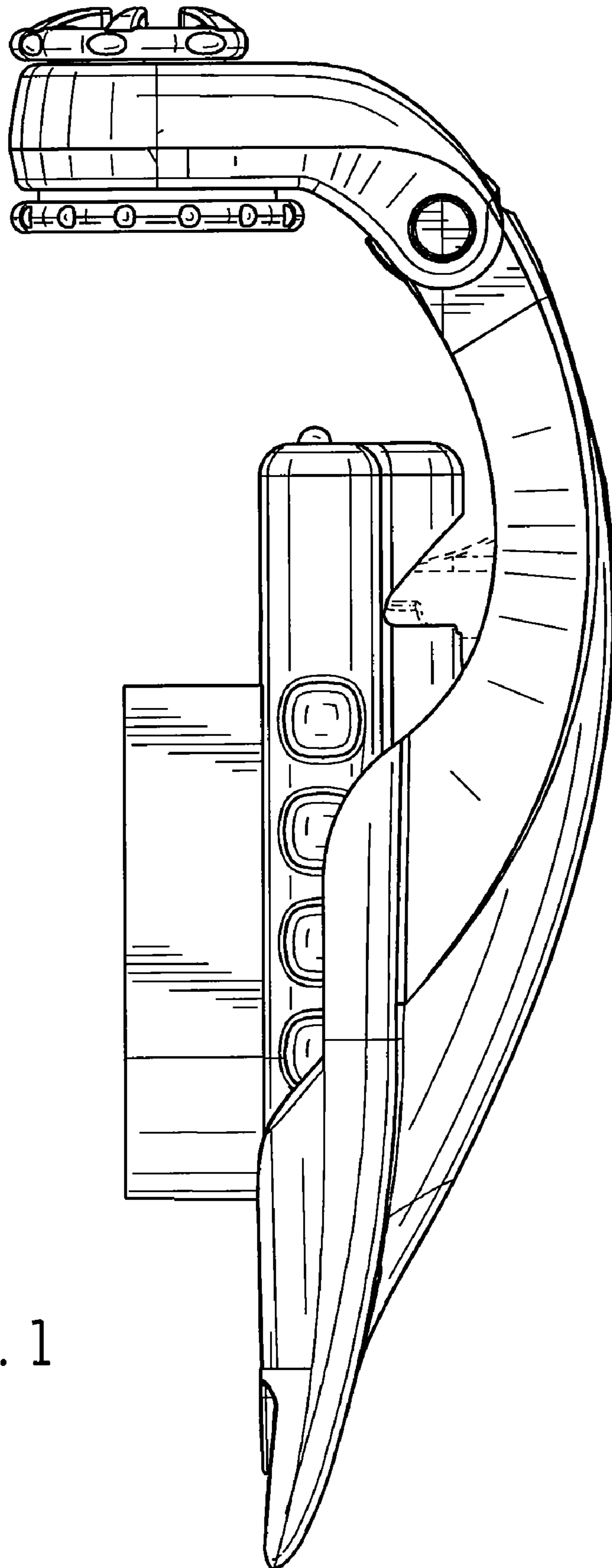


FIG. 1

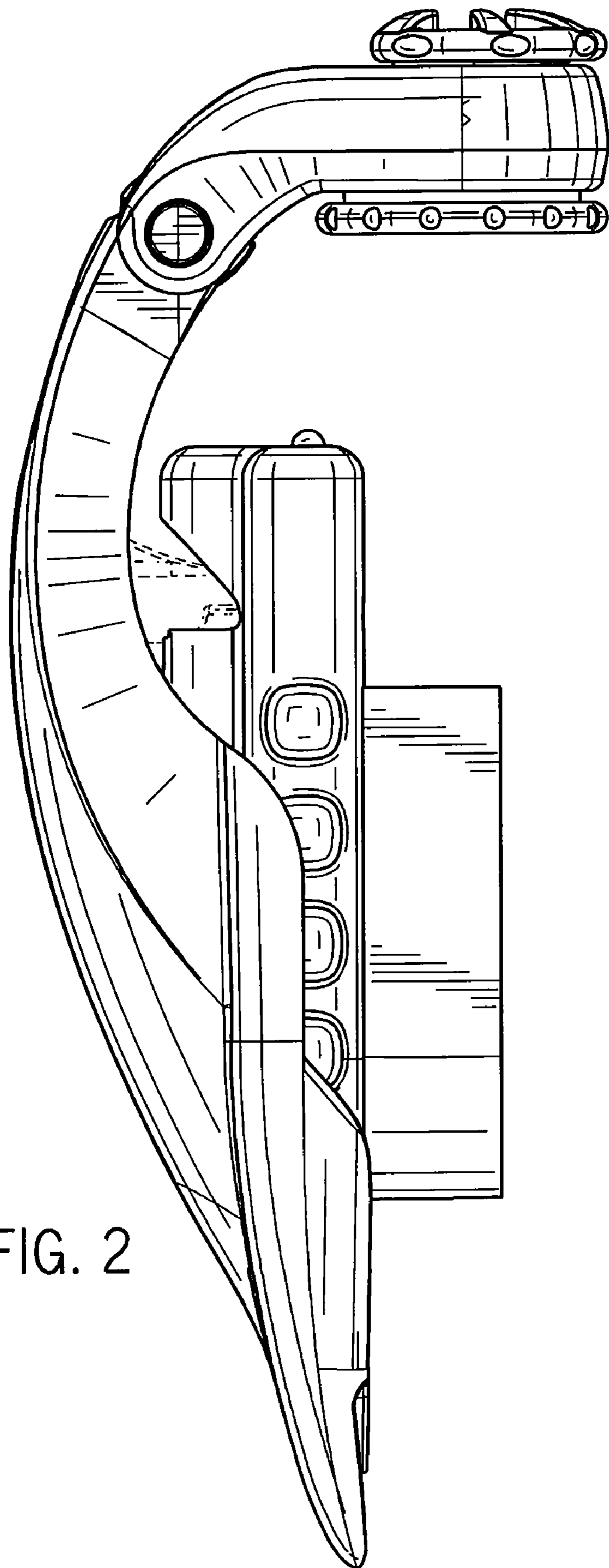


FIG. 2

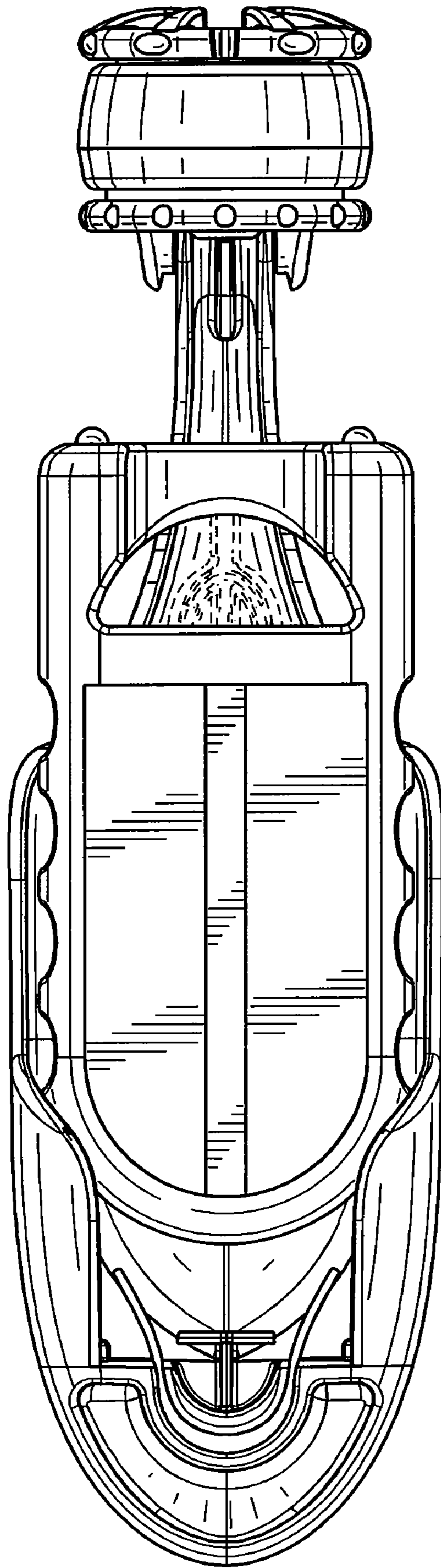


FIG. 3

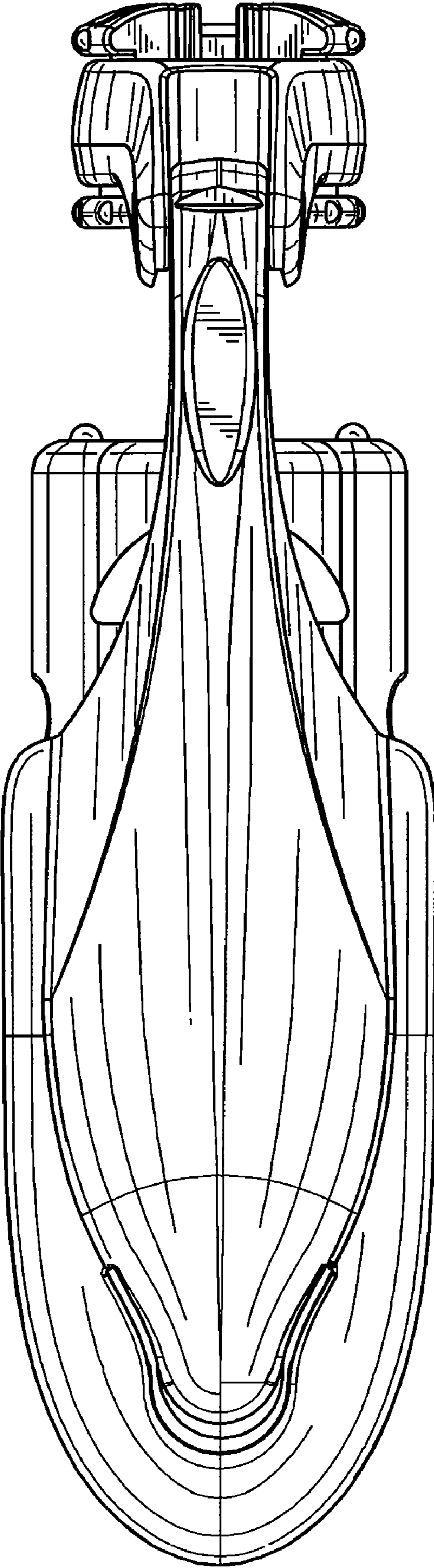


FIG. 4

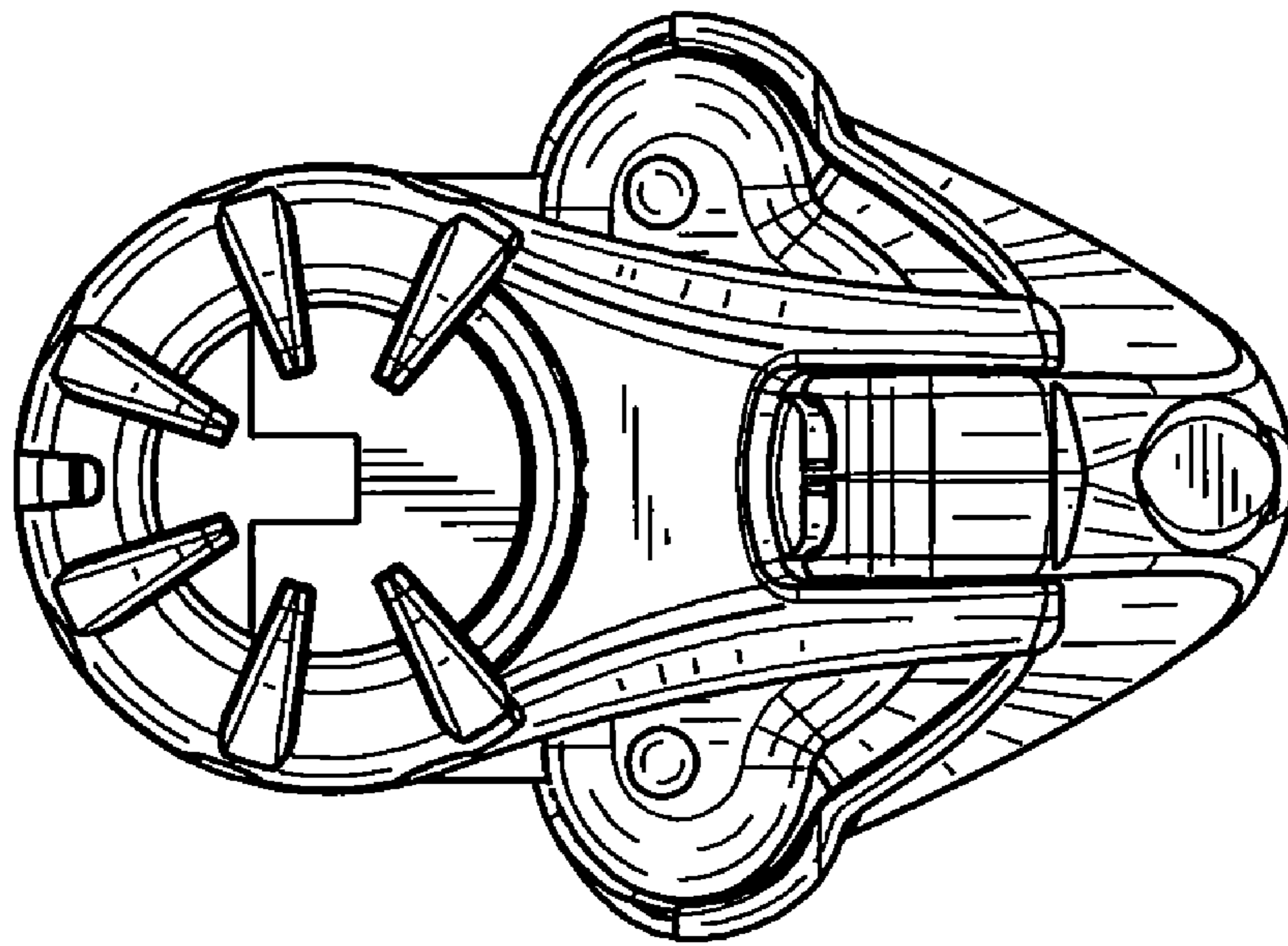


FIG. 5

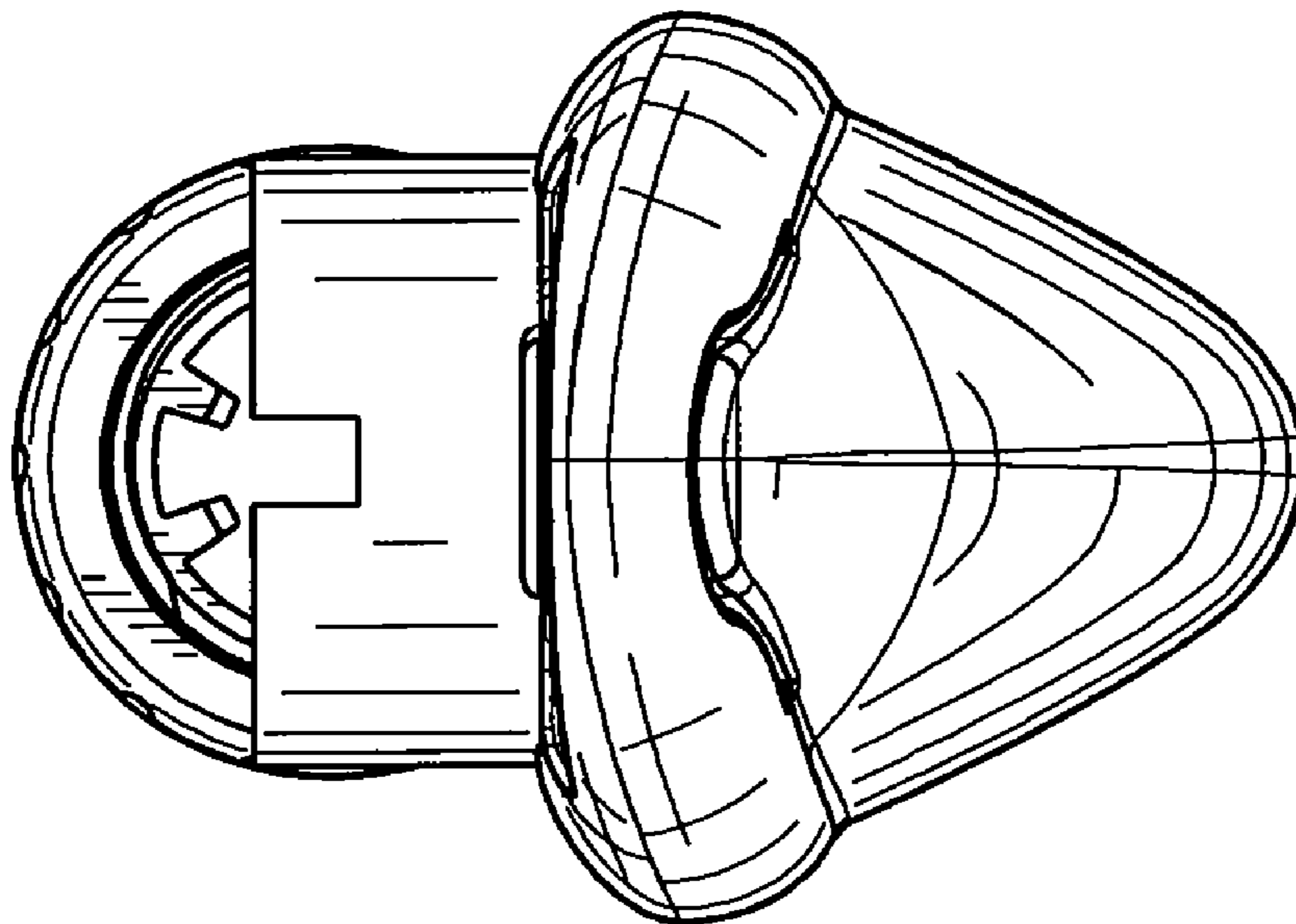


FIG. 6

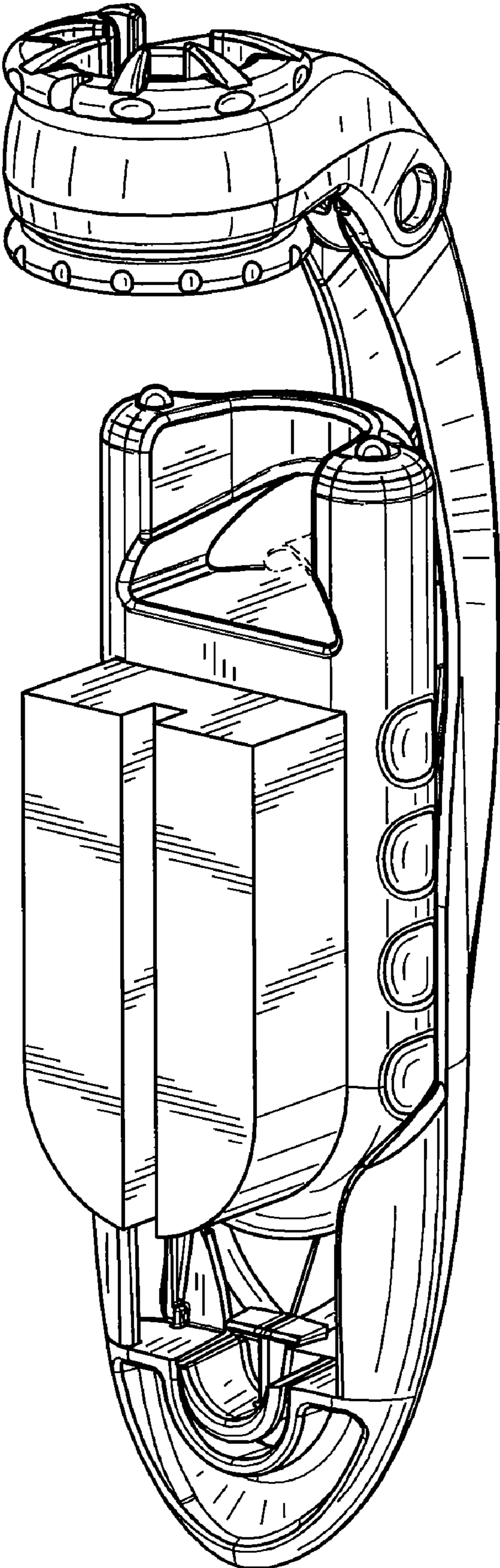


FIG. 7

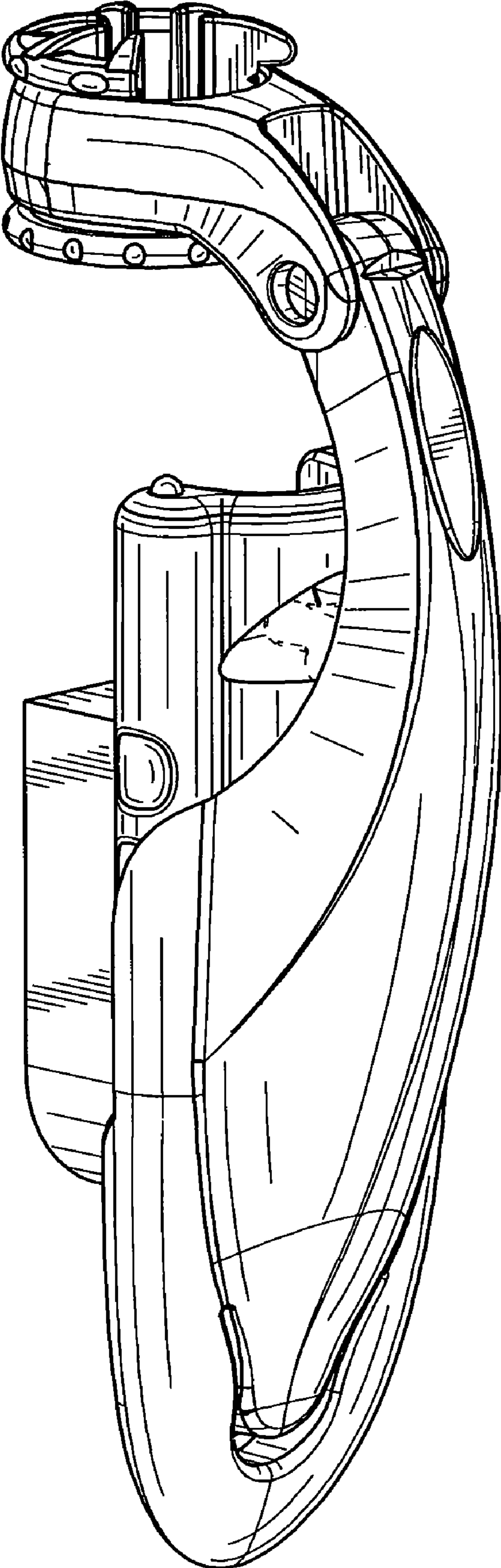


FIG. 8