

US00D602199S

(12) **United States Design Patent**
Ortega

(10) **Patent No.:** **US D602,199 S**

(45) **Date of Patent:** **** Oct. 13, 2009**

(54) **FOLDING COMB**

(76) **Inventor:** **Angel Ortega**, 2476 S. Citrus View,
Duarte, CA (US) 91010

(**) **Term:** **14 Years**

(21) **Appl. No.:** **29/280,637**

(22) **Filed:** **Jun. 4, 2007**

(51) **LOC (9) Cl.** **21-03**

(52) **U.S. Cl.** **D28/30; D28/21**

(58) **Field of Classification Search** D28/7,
D28/20-22, 30-31; 132/53, 112, 126, 150,
132/208, 219.216; D8/99; D22/118; 30/154-156
See application file for complete search history.

(56) **References Cited**

U.S. PATENT DOCUMENTS

17,103	A *	4/1857	Lewis	132/123
1,659,418	A *	2/1928	Werner	30/153
D159,659	S *	8/1950	Mears	D28/21
2,681,067	A *	6/1954	Zarcone	132/161
3,628,545	A *	12/1971	Moody	132/219
4,364,174	A *	12/1982	De Asis	30/153
4,648,145	A *	3/1987	Miceli	7/158

D403,569	S *	1/1999	Frazer	D8/105
6,195,898	B1 *	3/2001	Lemisch	30/153
D478,395	S *	8/2003	Cheung	D28/21
D487,494	S *	3/2004	Glesser	D22/118

* cited by examiner

Primary Examiner—Janice E Seeger
Assistant Examiner—Zenia I Bennett

(57) **CLAIM**

The ornamental design for a folding comb, as shown and described.

DESCRIPTION

FIG. 1 is a front elevational view of the folding comb showing my new design;

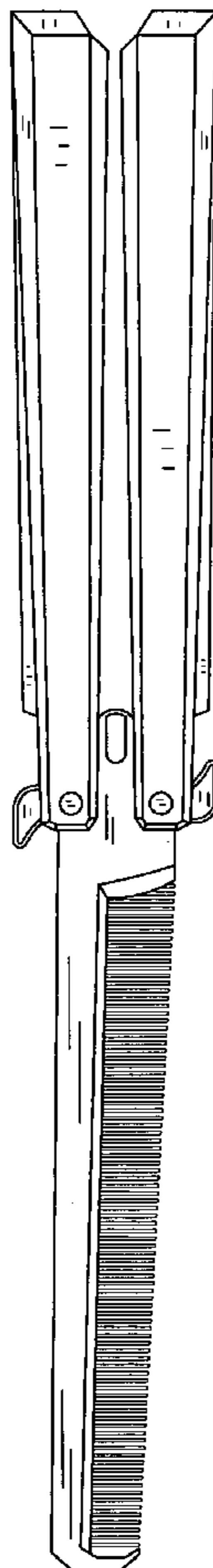
FIG. 2 is a left-side elevational view of the folding comb thereof;

FIG. 3 is right side elevational view of the folding comb thereof;

FIG. 4 is a top plan view of the folding comb thereof; and,

FIG. 5 is a bottom plan view of the folding comb thereof;

1 Claim, 2 Drawing Sheets



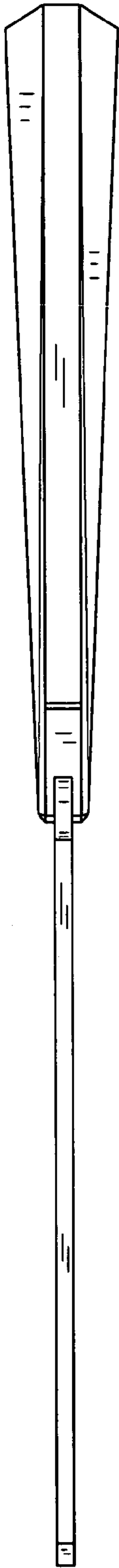


FIG. 2

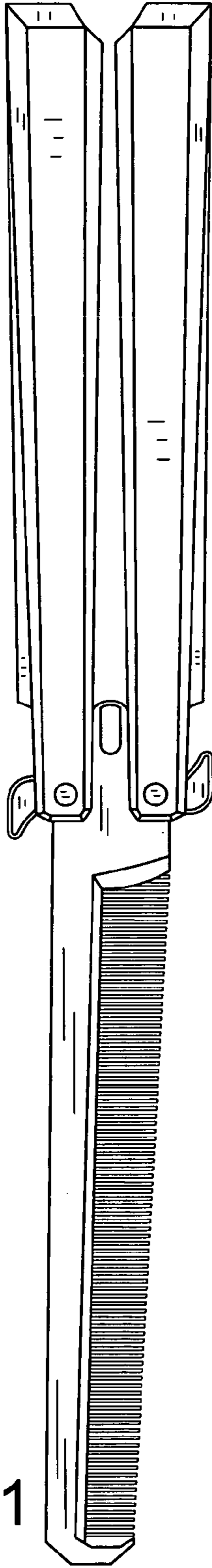


FIG. 1

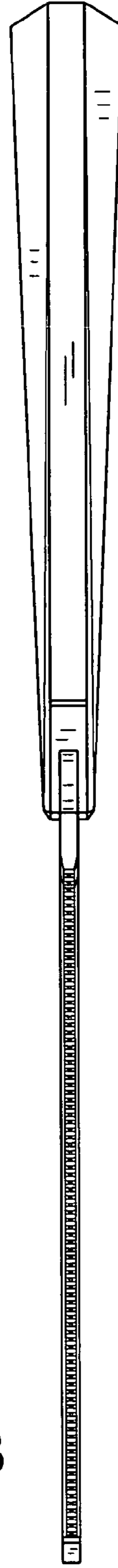


FIG. 3

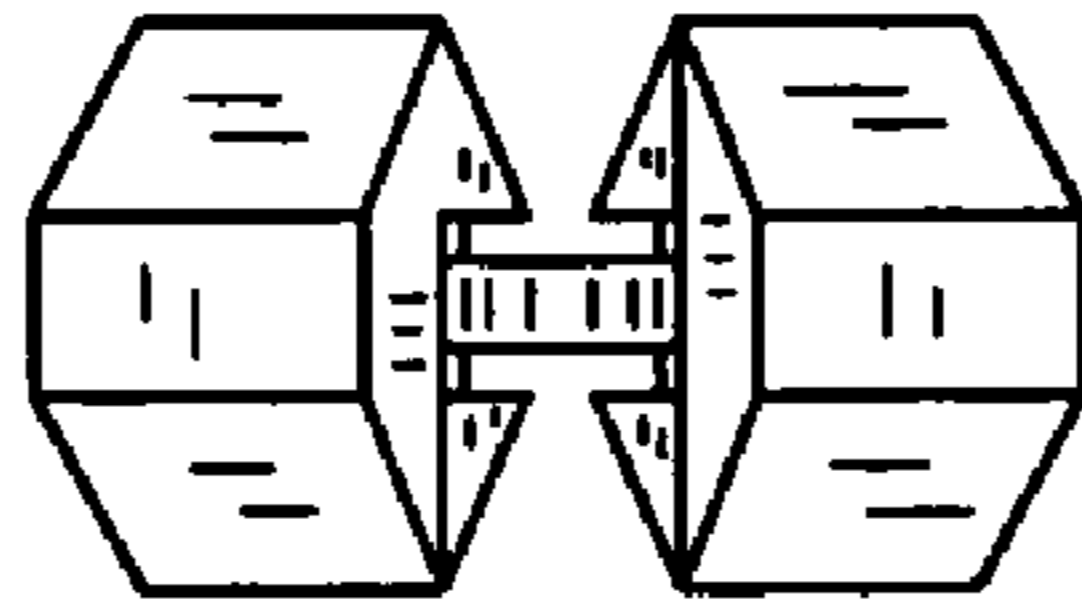


FIG. 4

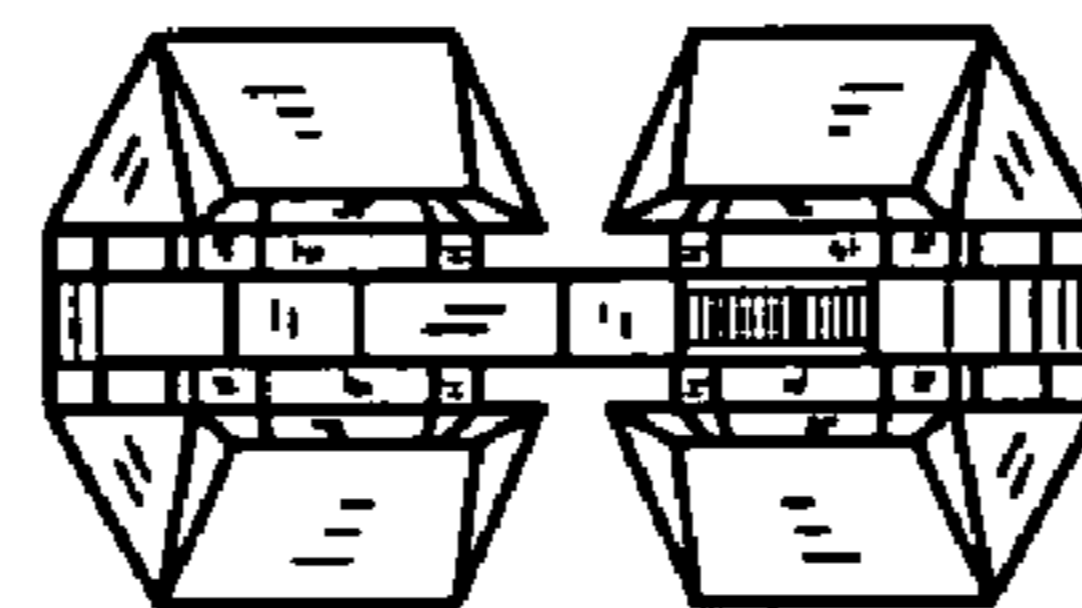


FIG. 5