

US00D602198S

(12) **United States Design Patent**
Gómez

(10) **Patent No.:** **US D602,198 S**

(45) **Date of Patent:** **** Oct. 13, 2009**

(54) **CIGAR CONTAINER**

2001/0032912 A1* 10/2001 Vigorita et al. 248/146

(76) Inventor: **Edel Gómez**, 4120 Skyline #2, Cape Coral, FL (US) 33914

* cited by examiner

Primary Examiner—Jennifer Rivard

(74) *Attorney, Agent, or Firm*—Malloy & Malloy, P.A.

(**) Term: **14 Years**

(21) Appl. No.: **29/313,927**

(57) **CLAIM**

(22) Filed: **Feb. 20, 2009**

The ornamental design for a cigar container, as shown and described.

(51) **LOC (9) Cl.** **27-06**

(52) **U.S. Cl.** **D27/190**

(58) **Field of Classification Search** D27/122–124,
D27/172, 183, 184, 186; 248/146; 206/242;
131/259; 211/70.3

See application file for complete search history.

DESCRIPTION

FIG. 1 is a front perspective view illustrating my design for a cigar container;

FIG. 2 is a front view thereof;

FIG. 3 is a right side view thereof;

FIG. 4 is a top view thereof;

FIG. 5 is a left side view thereof;

FIG. 6 is a bottom view thereof; and,

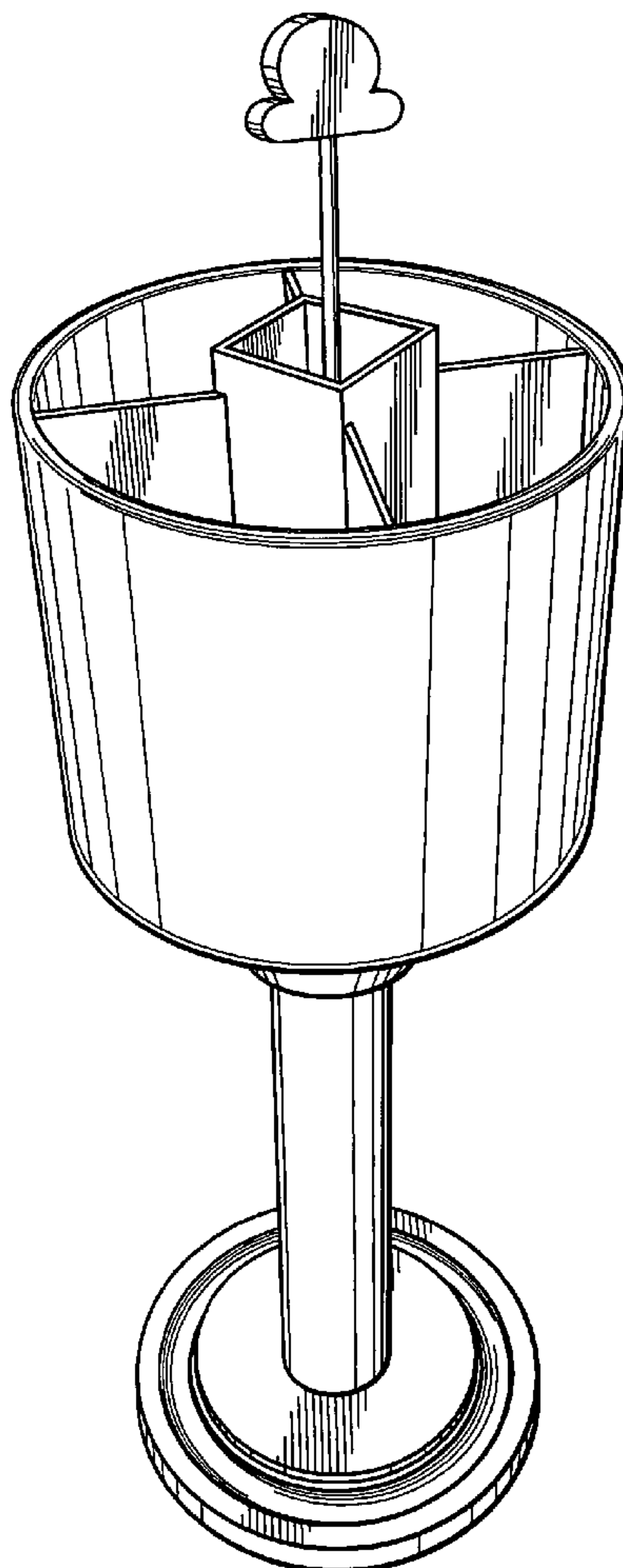
FIG. 7 is a rear view thereof.

(56) **References Cited**

U.S. PATENT DOCUMENTS

D112,280 S	*	11/1938	Dunberg	D27/190
D171,014 S	*	12/1953	Slaton	D27/190
D287,647 S	*	1/1987	Ringle	D27/181
D391,670 S	*	3/1998	Hargrove	D27/189

1 Claim, 4 Drawing Sheets



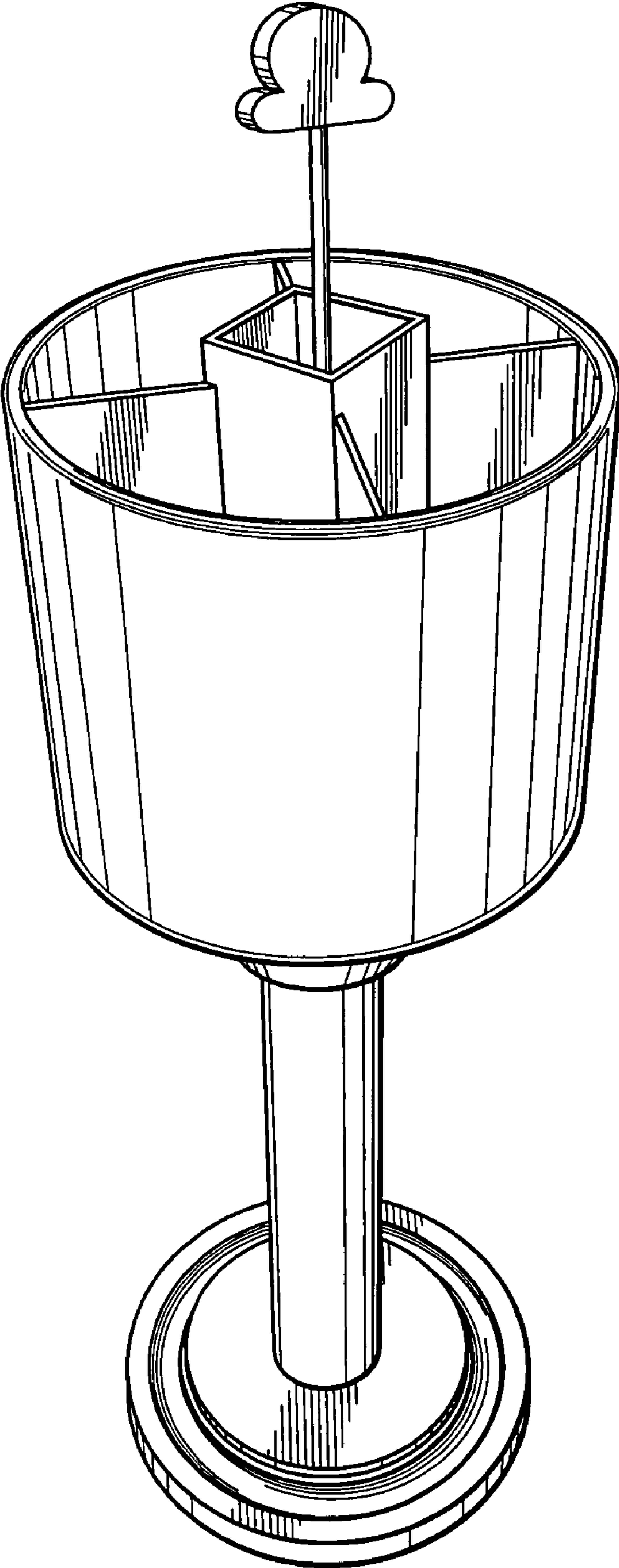


FIG. 1

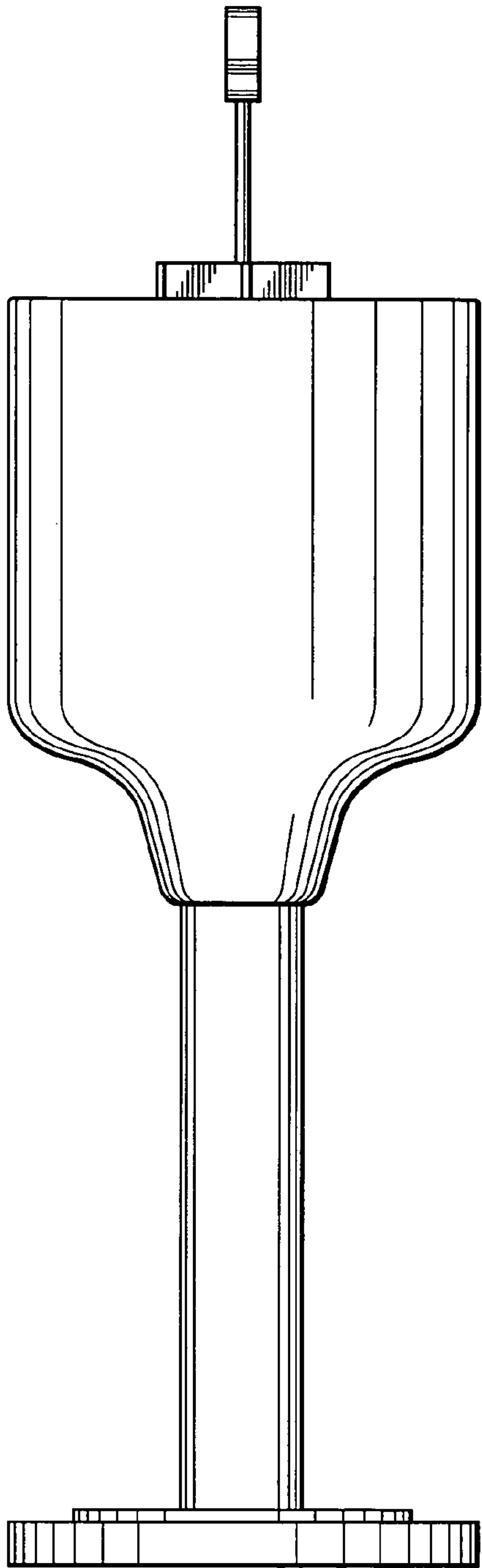


FIG. 3

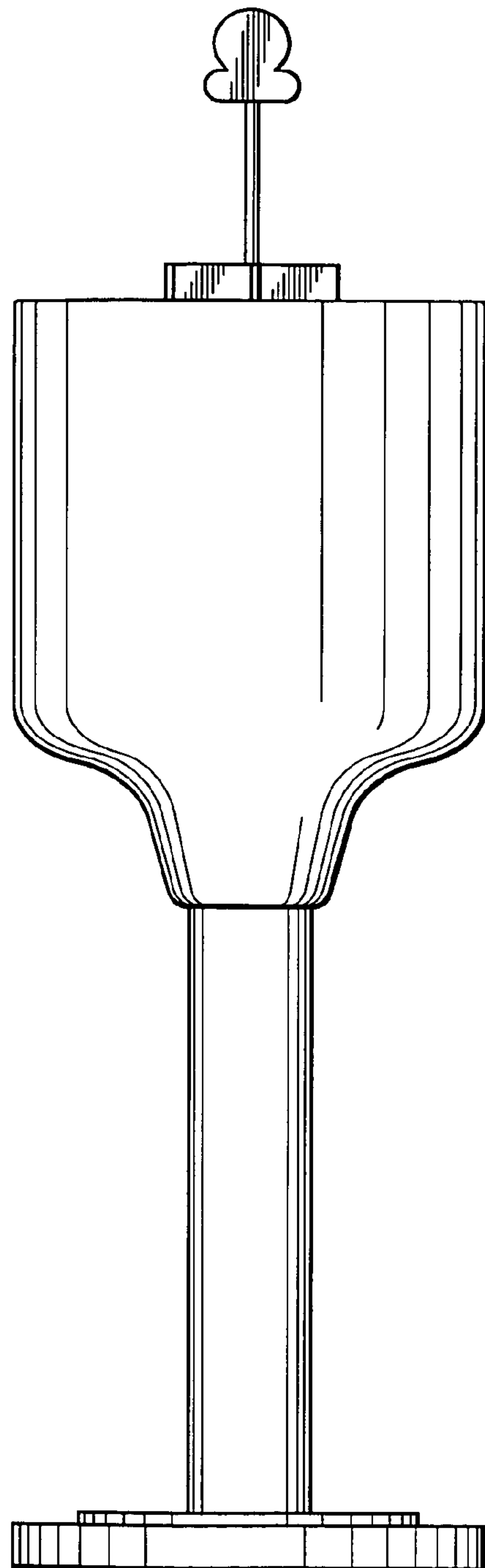


FIG. 2

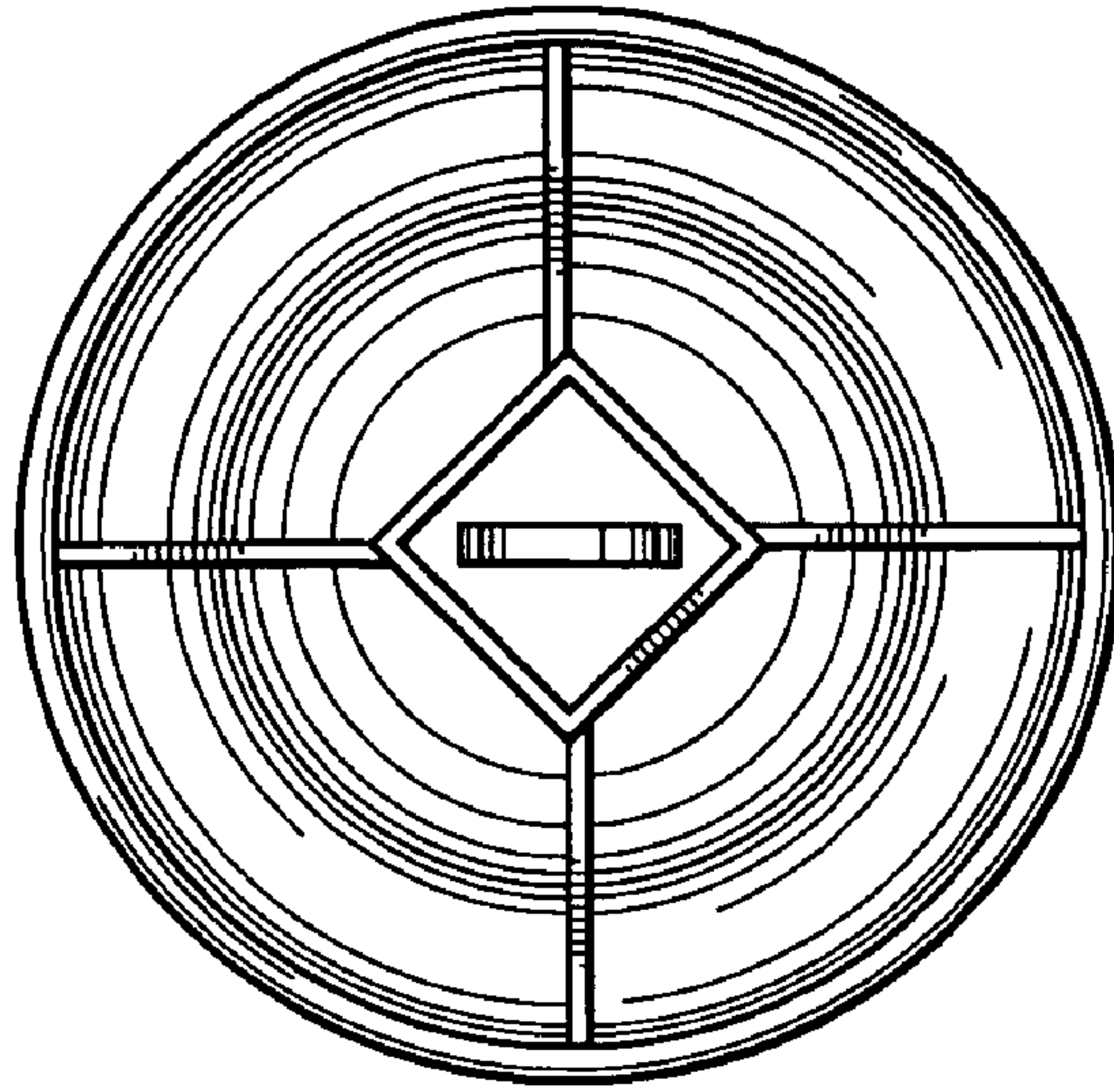


FIG. 4

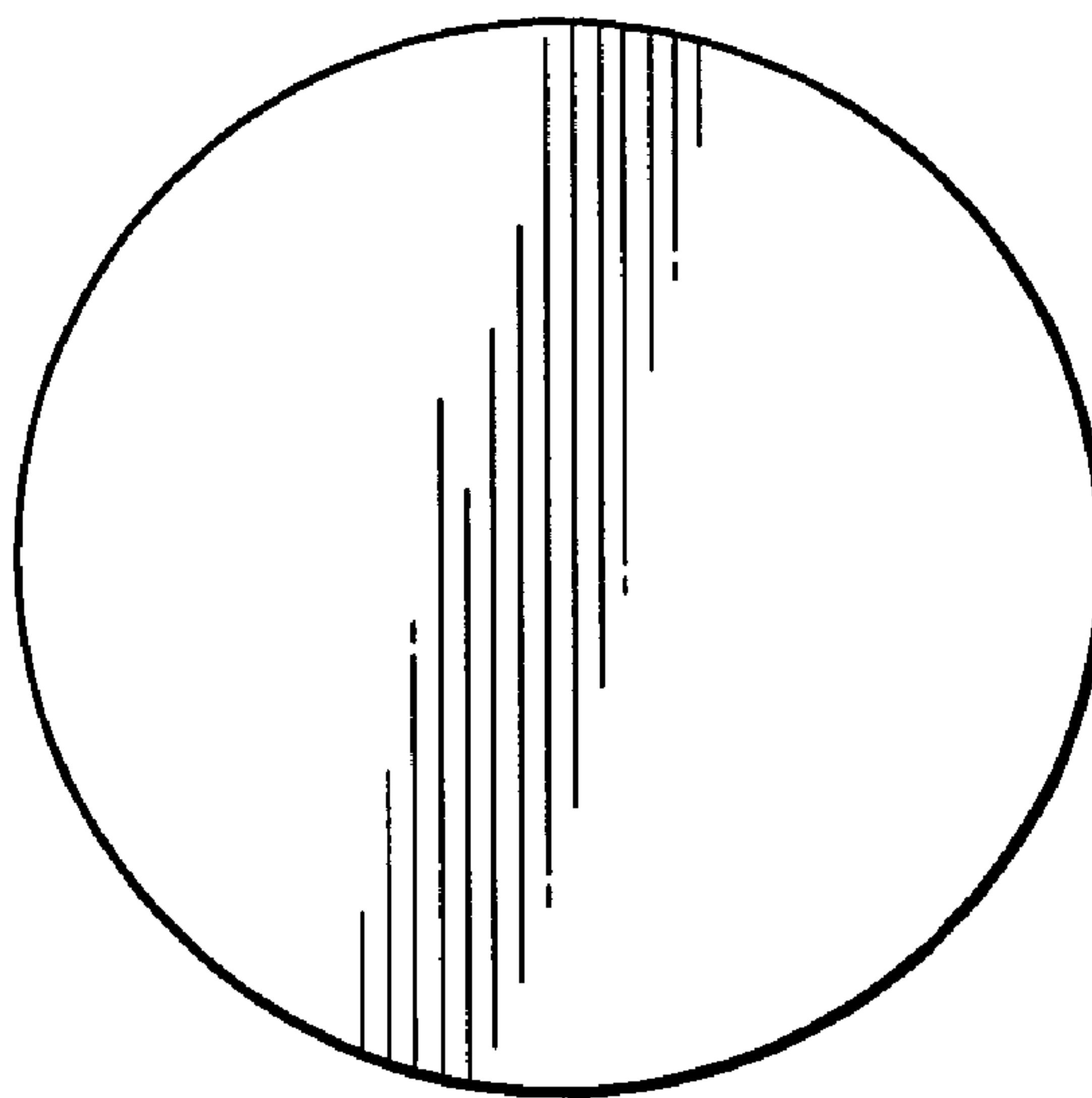


FIG. 6

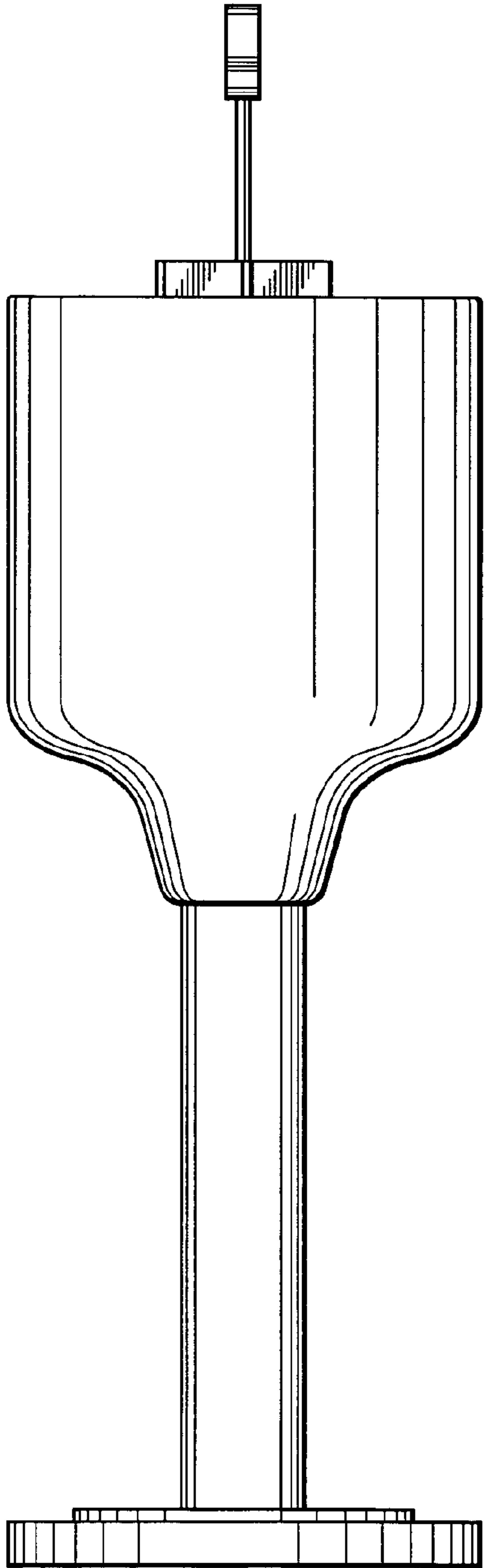


FIG. 5

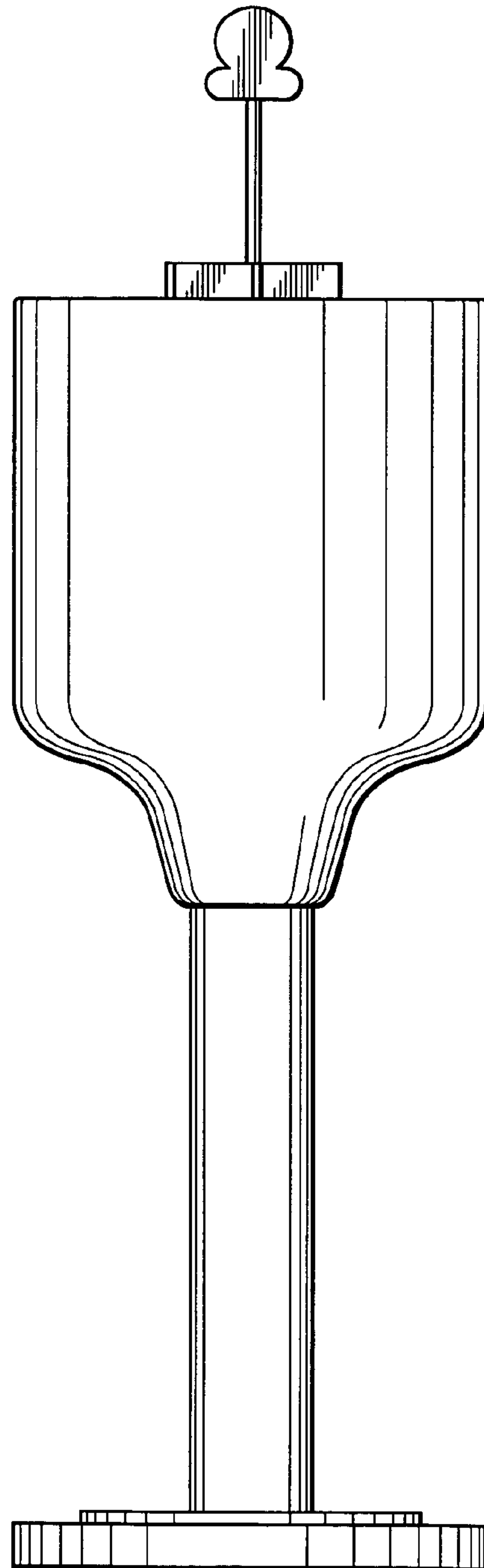


FIG. 7