



US00D602197S

(12) **United States Design Patent**
Dunn et al.

(10) **Patent No.:** **US D602,197 S**
(45) **Date of Patent:** **** Oct. 13, 2009**

(54) **TASK LIGHT**

(75) Inventors: **David Dunn**, Toronto (CA); **Kevin Kowalchuk**, Oakville (CA); **Bryan Drew Miller**, Richmond Hill (CA)

(73) Assignee: **Jameson, LLC**, Clover, SC (US)

(**) Term: **14 Years**

(21) Appl. No.: **29/335,451**

(22) Filed: **Apr. 16, 2009**

D129,922 S	10/1941	Irmischer	
2,596,627 A	5/1952	Wahnish	
2,697,777 A *	12/1954	Rosa	362/216
3,634,675 A	1/1972	Madsen	
4,244,013 A *	1/1981	Wotowiec	362/216
D261,057 S *	9/1981	Wotowiec et al.	D26/93
4,316,120 A *	2/1982	Cotman et al.	315/58
D310,426 S	9/1990	Rook	
5,537,304 A	7/1996	Klaus	
D418,241 S	12/1999	Thomas	
D440,348 S	4/2001	Tai	
D470,967 S	2/2003	Rose	
D487,600 S	3/2004	Fickas	
6,959,996 B2	11/2005	Ip	
D545,982 S *	7/2007	Bachynsky et al.	D26/28

Related U.S. Application Data

(62) Division of application No. 29/324,531, filed on Sep. 15, 2008, now Pat. No. Des. 590,987.

(51) **LOC (9) Cl.** **26-99**

(52) **U.S. Cl.** **D26/141**

(58) **Field of Classification Search** D26/2,
D26/77, 113, 128, 118, 81, 144, 138, 155,
D26/121, 24, 37, 40, 42, 46, 49, 56, 60, 67,
D26/71, 72, 74, 75, 76, 78, 80, 83, 85, 119,
D26/120, 122, 140, 141, 142, 143, 145, 150,
D26/153, 154; D6/300, 301, 314, 313, 312,
D6/310; 362/354, 342, 291, 290, 615, 632,
362/633, 147, 219, 223, 217.1, 217.11, 217.15,
362/364, 367, 370, 416

See application file for complete search history.

(56) **References Cited**

U.S. PATENT DOCUMENTS

D42,583 S *	6/1912	Morgan	D26/81
1,137,906 A	5/1915	Rosenberg	
1,366,710 A	1/1921	Anker	
D75,012 S	5/1928	Johnson	
D91,342 S	1/1934	Yohe	
D101,033 S *	9/1936	Glatthar et al.	D26/81
D101,034 S	9/1936	Glatthar et al.	
2,195,154 A *	3/1940	Scott	362/225
D121,094 S	6/1940	Heath	
D128,480 S	7/1941	Elting	

* cited by examiner

Primary Examiner—Cathron C Brooks

Assistant Examiner—Kevin K Rudzinski

(74) *Attorney, Agent, or Firm*—Adams Intellectual Property Law, P.A.

(57) **CLAIM**

We claim the ornamental design for a task light, as shown and described.

DESCRIPTION

FIG. 1 is a perspective view from below of the task light showing our new design;

FIG. 2 is a perspective view from above thereof;

FIG. 3 is a rear elevation view thereof;

FIG. 4 is a front elevation view thereof;

FIG. 5 is a left side elevation view thereof;

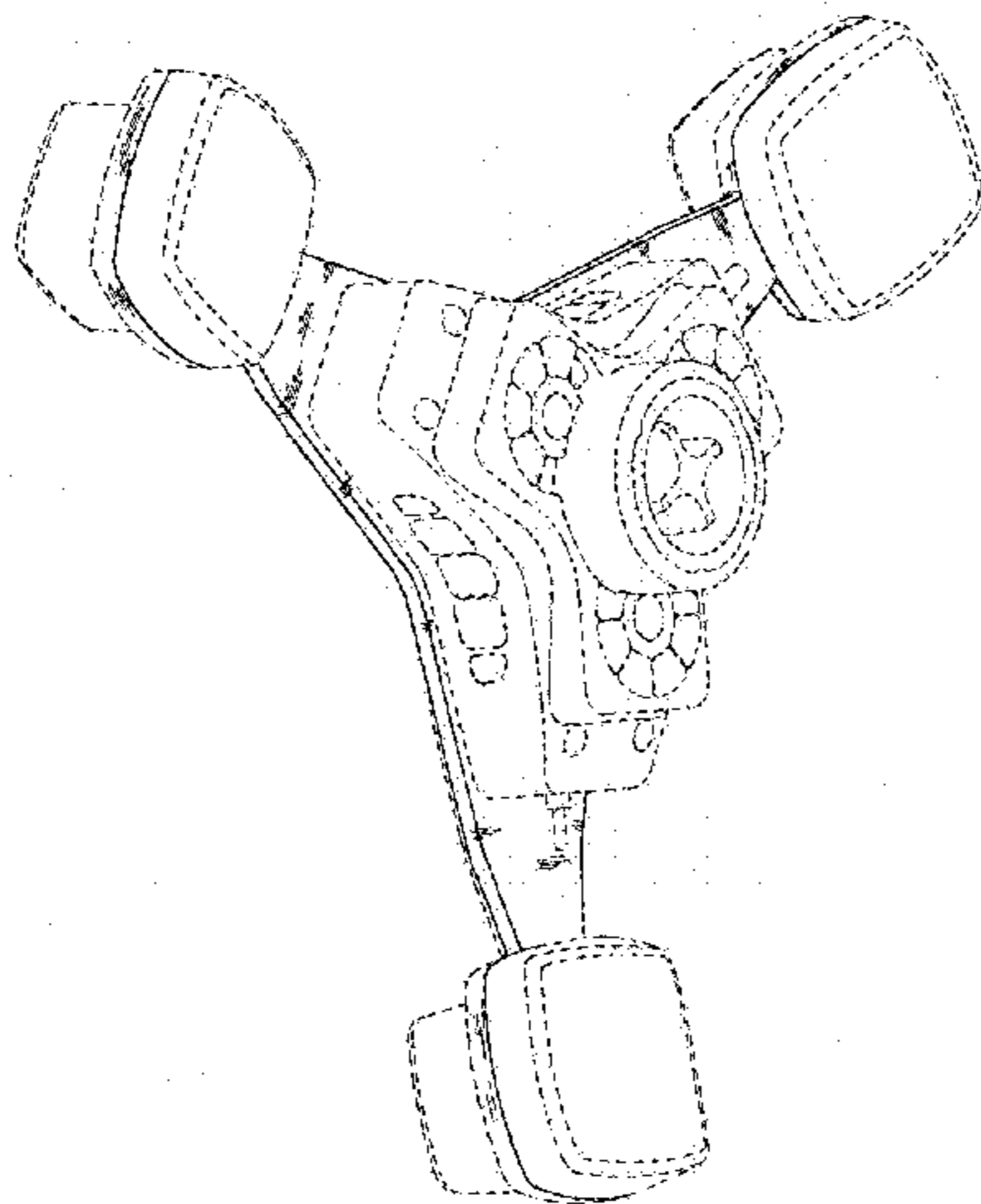
FIG. 6 is a right side elevation view thereof;

FIG. 7 is a top plan view thereof; and,

FIG. 8 is a bottom plan view thereof.

The broken lines shown in the drawings are included for the purpose of illustrating unclaimed portions of the task light and form no part of the claimed design.

1 Claim, 8 Drawing Sheets



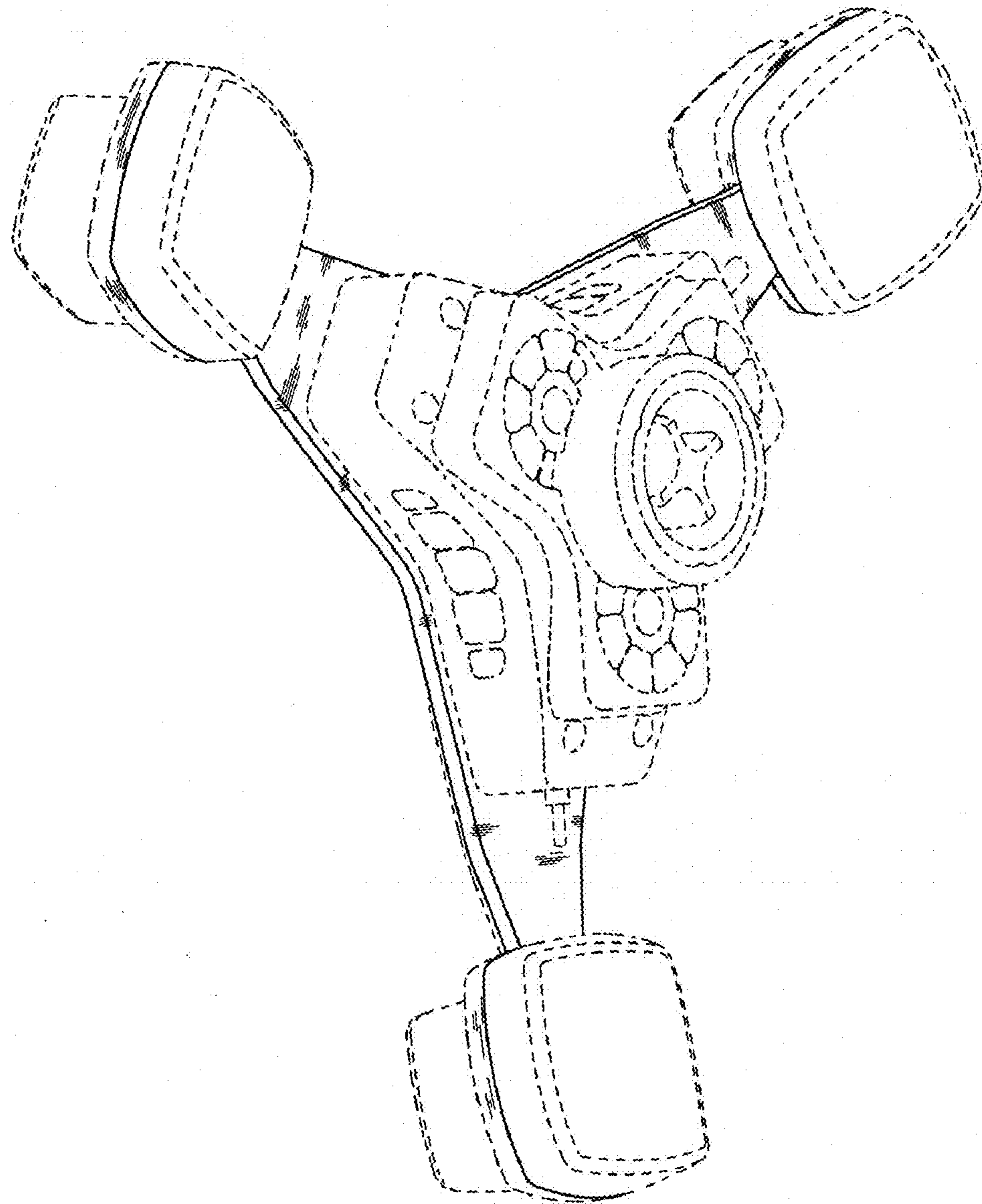


Fig. 1

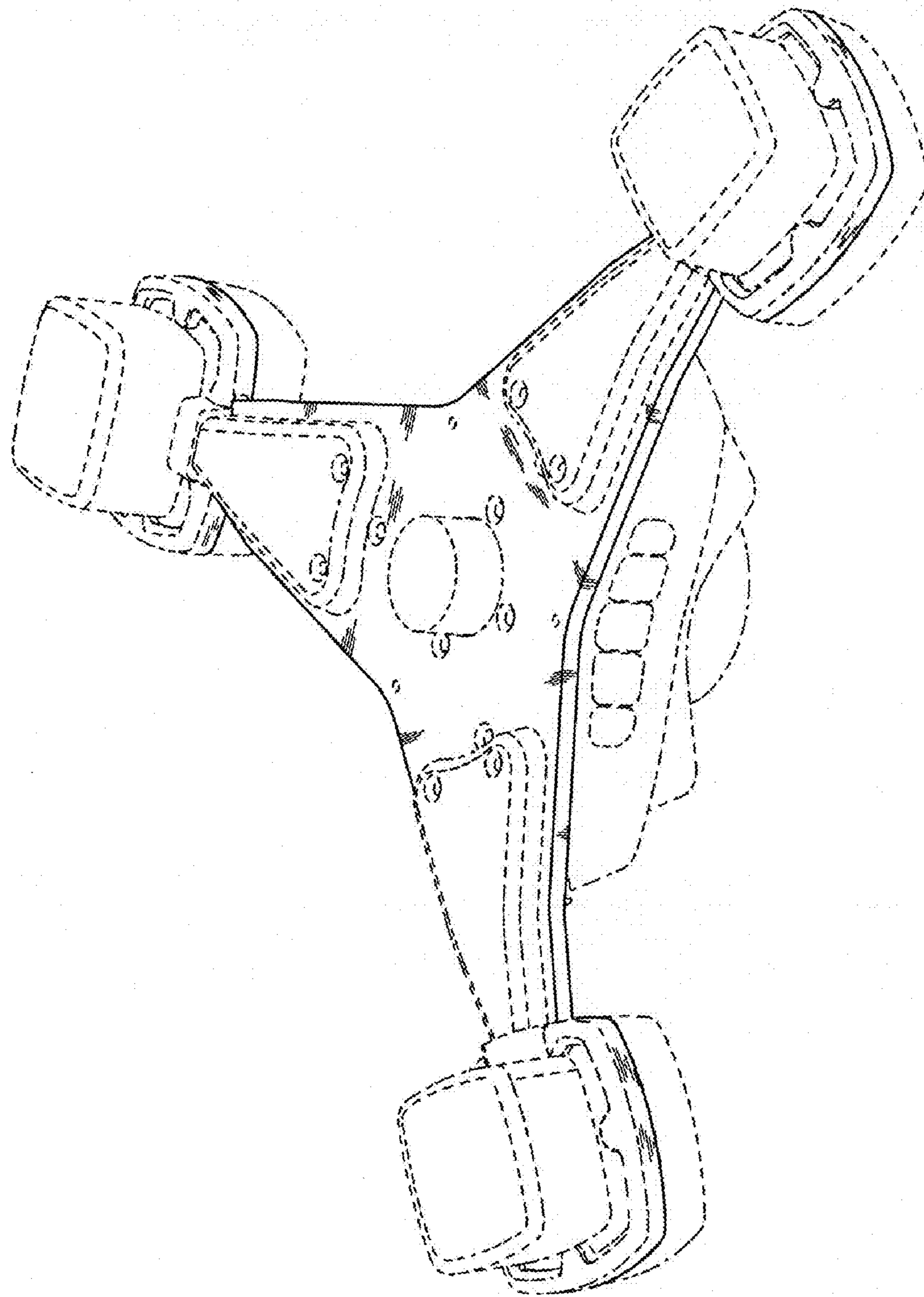


Fig. 2

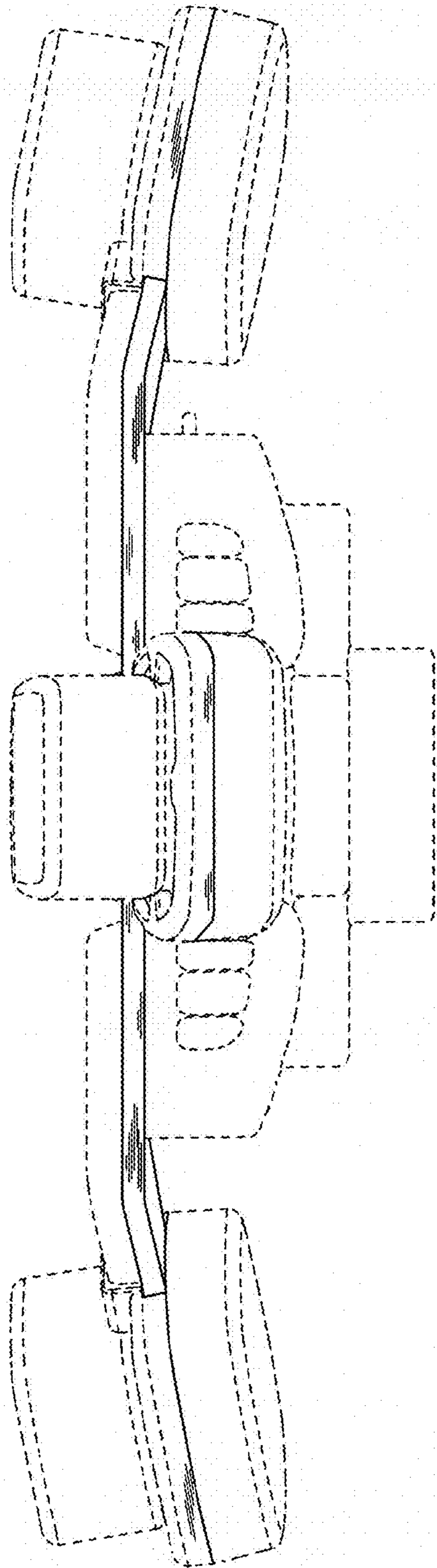


Fig. 3

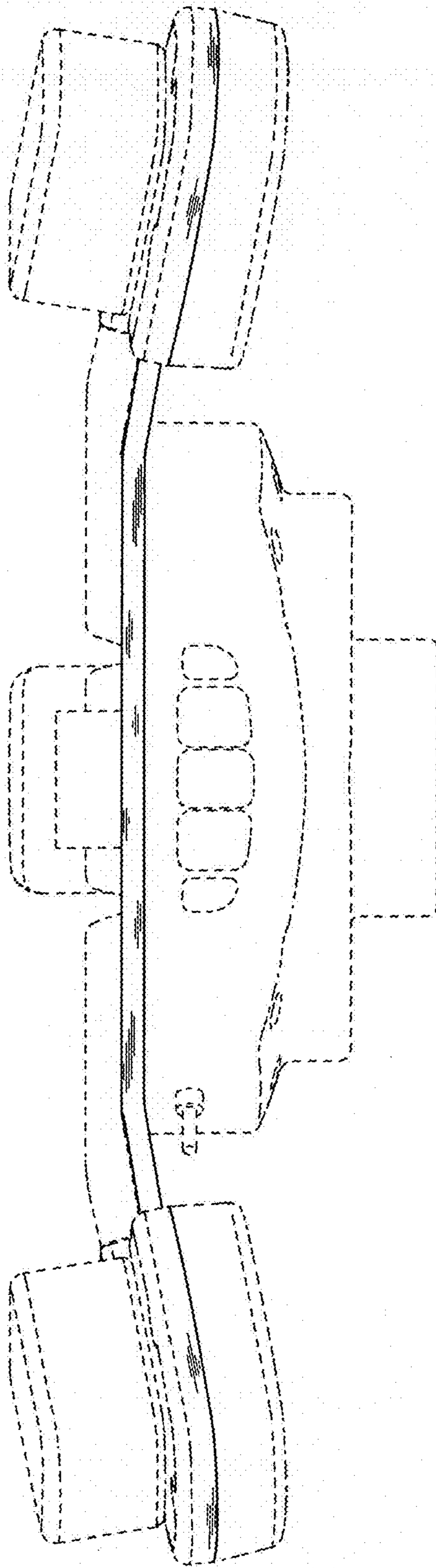


Fig. 4

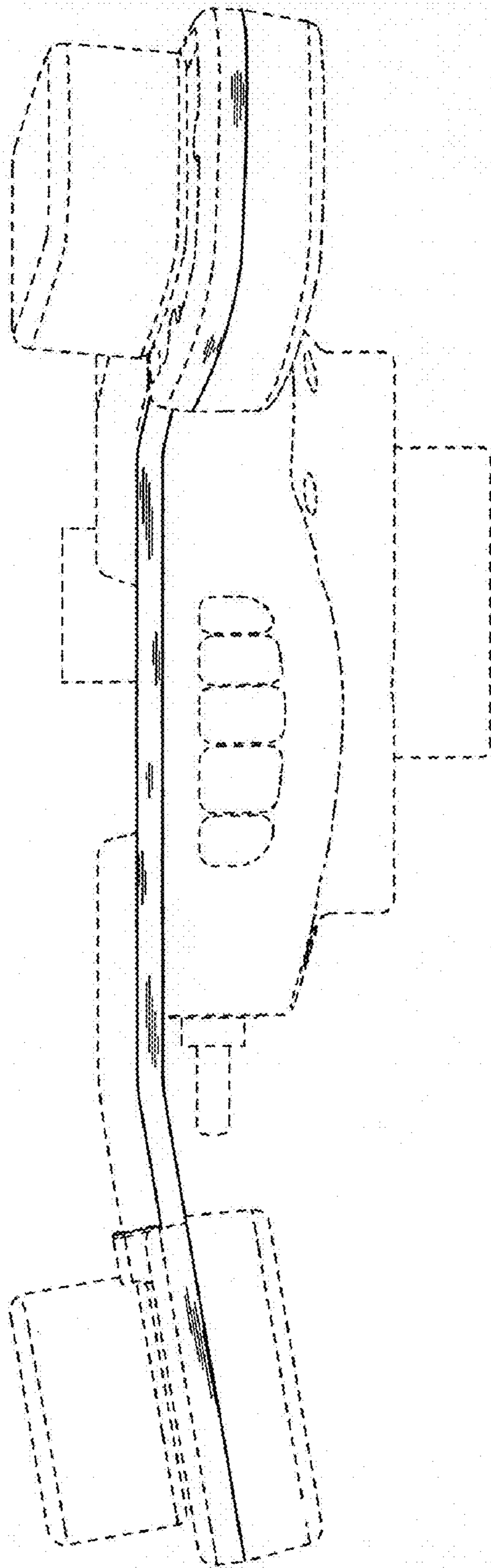


Fig. 5

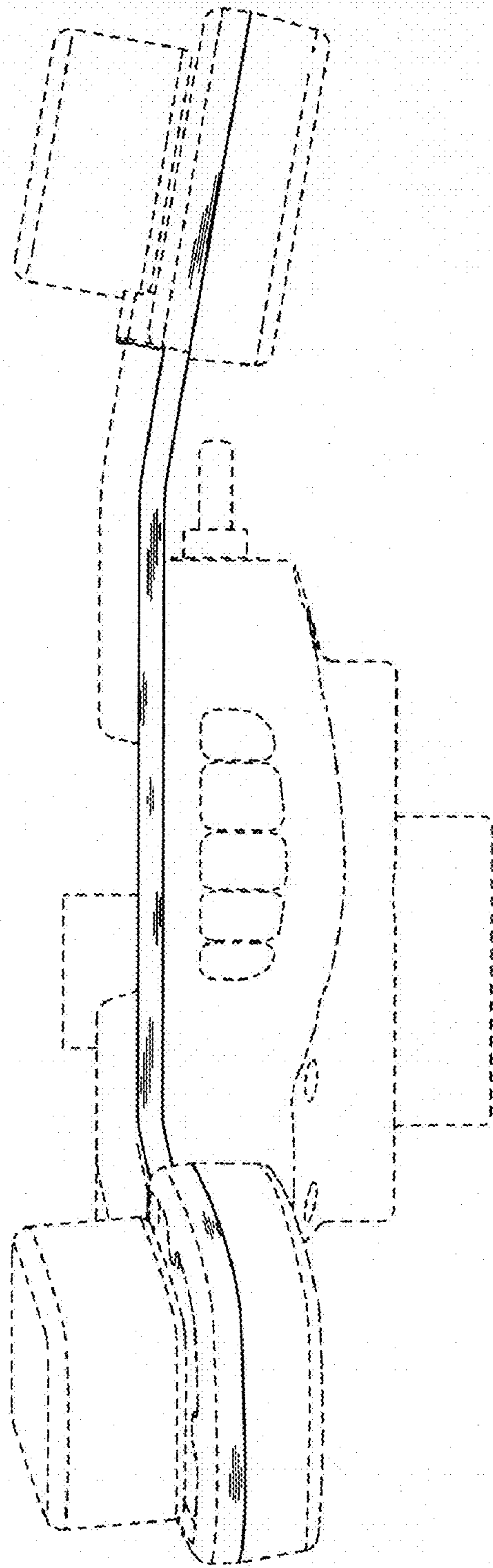


Fig. 6

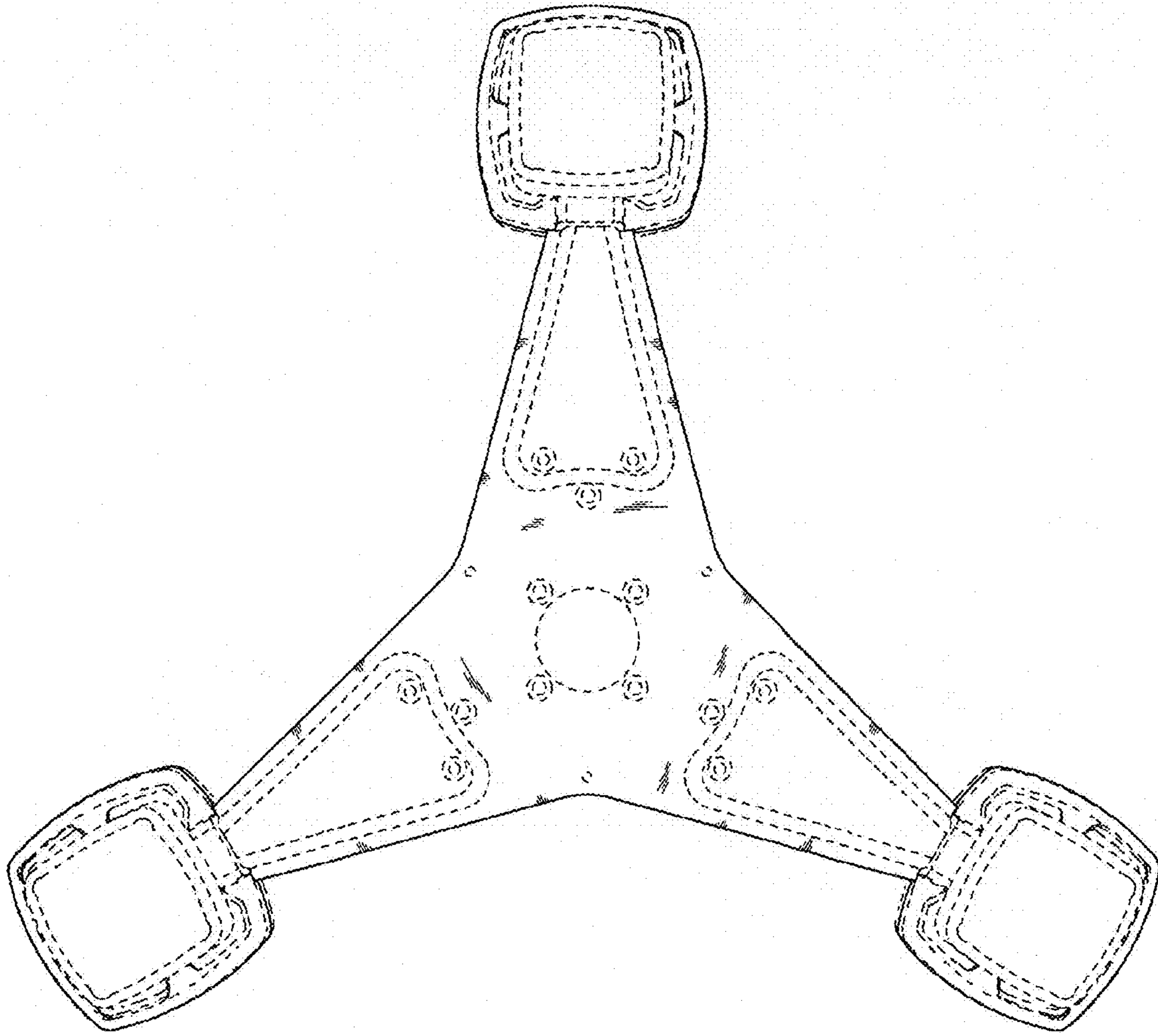


Fig. 7

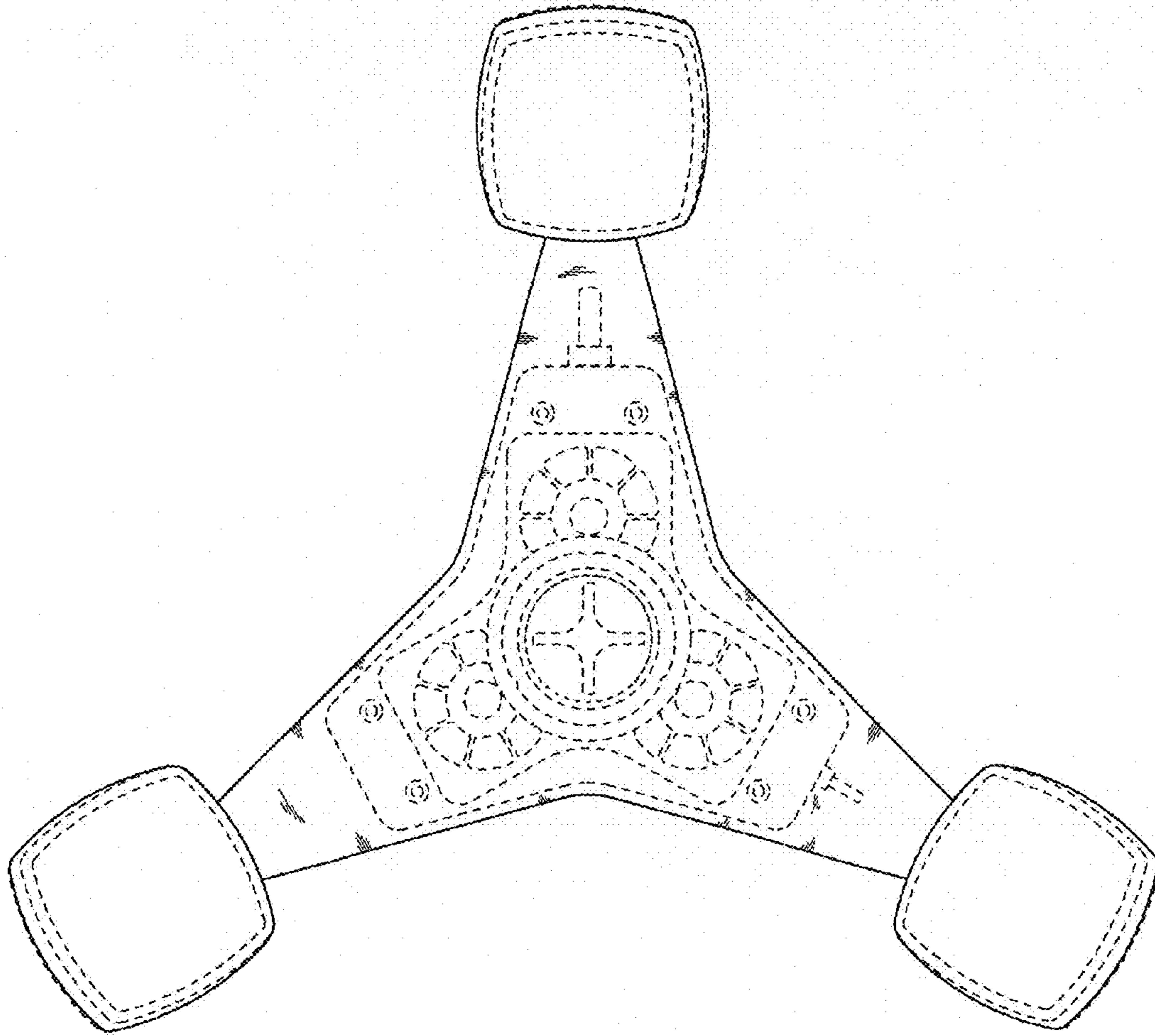


Fig. 8