



US00D602196S

(12) **United States Design Patent**
Noh

(10) **Patent No.:** **US D602,196 S**
(45) **Date of Patent:** **** Oct. 13, 2009**

(54) **SOCKET FOR FLUORESCENT LAMP**

(75) Inventor: **Si Chung Noh**, Gyeonggi-do (KR)

(73) Assignee: **Feelux Co., Ltd.** (KR)

(**) Term: **14 Years**

(21) Appl. No.: **29/307,504**

(22) Filed: **Apr. 23, 2008**

(30) **Foreign Application Priority Data**

Oct. 25, 2007 (KR) 30-2007-0044431

(51) **LOC (9) Cl.** **26-99**

(52) **U.S. Cl.** **D26/138**

(58) **Field of Classification Search** D26/63,
D26/65, 73, 62, 76, 42, 26, 60, 72, 74, 75,
D26/83, 85, 88, 89, 90, 93, 103, 107, 109,
D26/113, 118, 120, 125, 138, 140, 141, 142,
D26/149, 150, 151, 152, 154, 155; 362/220,
362/249, 219, 225, 601, 607, 147, 171, 641,
362/644, 657, 658, 257, 280, 364, 382, 403,
362/410, 431, 455, 809; D6/474, 477, 479,
D6/480; D13/134, 136, 146; 439/241, 231,
439/441, 244; D8/363, 354, 349

See application file for complete search history.

(56) **References Cited**

U.S. PATENT DOCUMENTS

4,130,860 A * 12/1978 Careglio et al. 362/217
4,376,966 A * 3/1983 Tieszen 362/249
D280,025 S * 8/1985 Waters D26/24

5,023,762 A * 6/1991 Tieszen 362/223
5,045,981 A * 9/1991 Nagano 362/219
D380,731 S * 7/1997 Schadhauer D13/134
D415,468 S * 10/1999 Klaus et al. D13/134
D440,941 S * 4/2001 Parekh D13/134
D526,448 S * 8/2006 Rigler D29/122
7,306,348 B2 * 12/2007 Quittner 362/103
7,329,024 B2 * 2/2008 Lynch et al. 362/240

* cited by examiner

Primary Examiner—Cathron C Brooks

Assistant Examiner—Kevin K Rudzinski

(74) *Attorney, Agent, or Firm*—Finnegan, Henderson,
Farabow, Garrett & Dunner, LLP

(57) **CLAIM**

The ornamental design for a socket for fluorescent lamp, as shown and described.

DESCRIPTION

FIG. 1 is a perspective view of the socket for fluorescent lamp showing a new design;

FIG. 2 is a front view thereof;

FIG. 3 is a rear view thereof;

FIG. 4 is a left-side view thereof;

FIG. 5 is a right-side view thereof;

FIG. 6 is a top plan view thereof; and,

FIG. 7 is a bottom view thereof.

The broken lines show environmental subject matter and form no part of the claimed design.

1 Claim, 4 Drawing Sheets

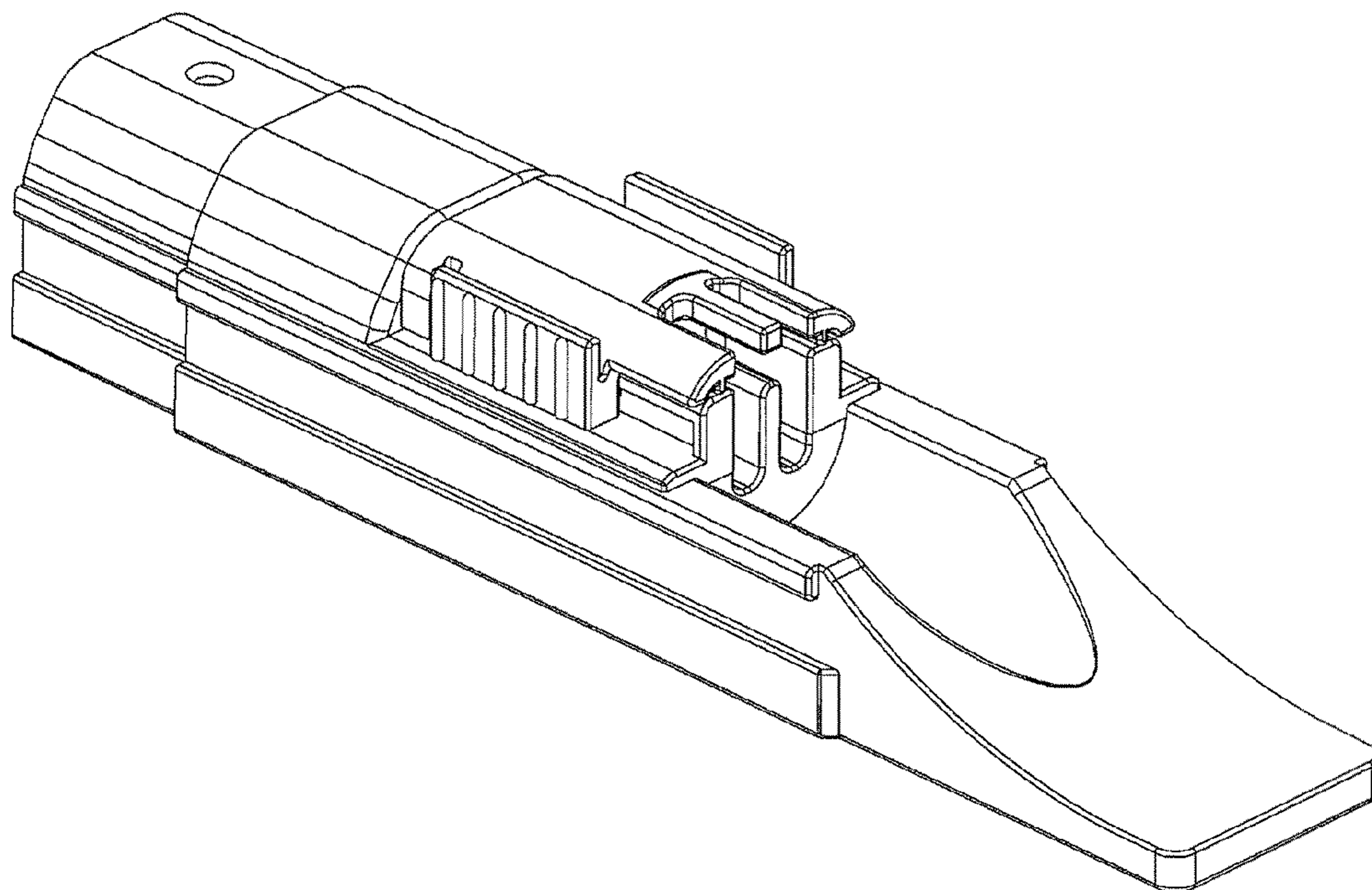


FIG. 1

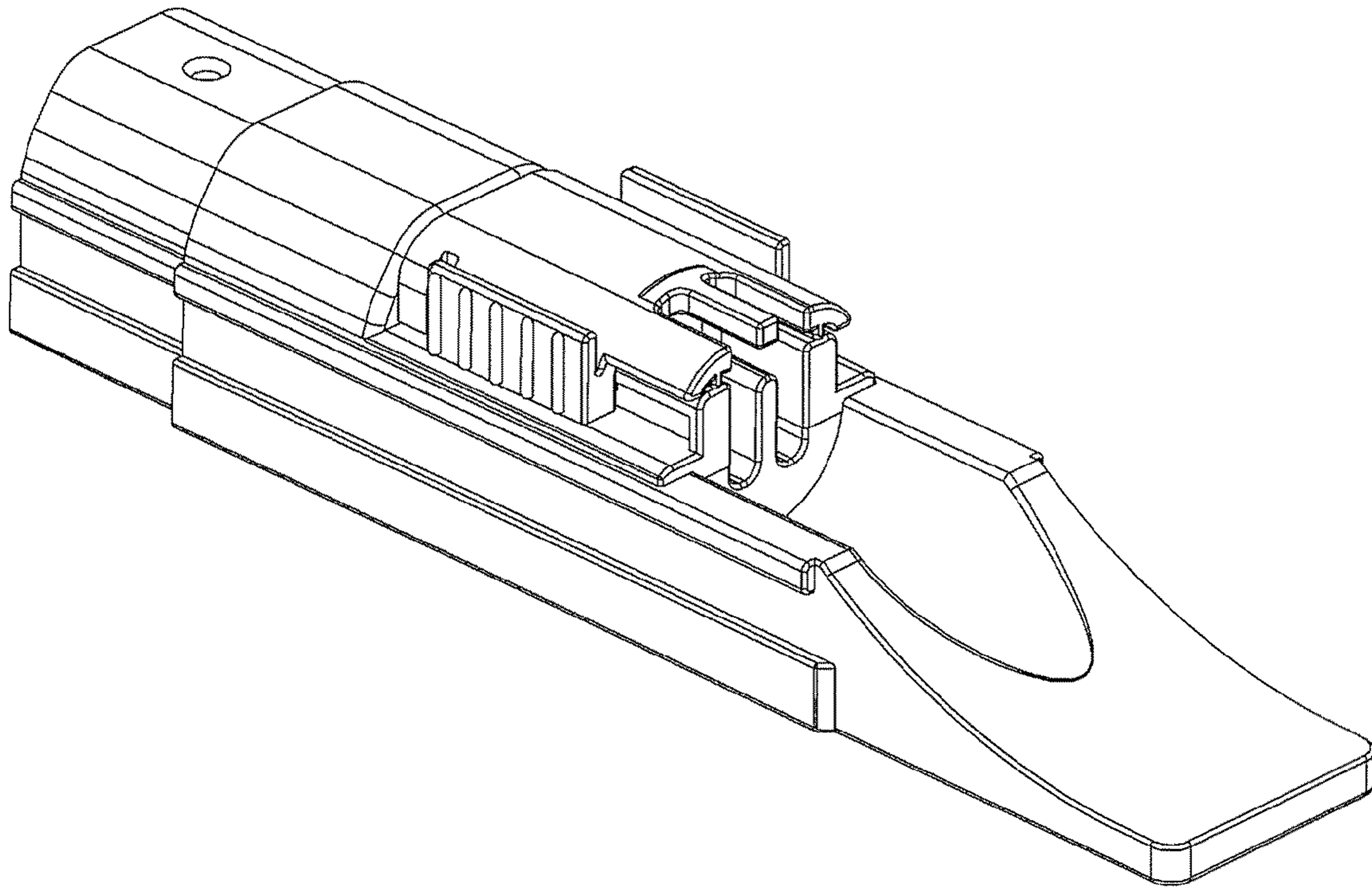


FIG. 2

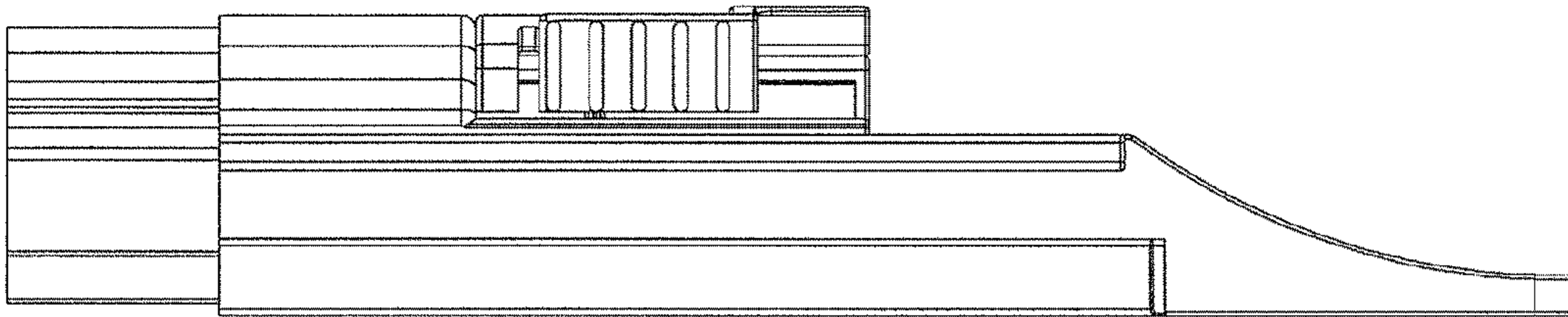


FIG. 3

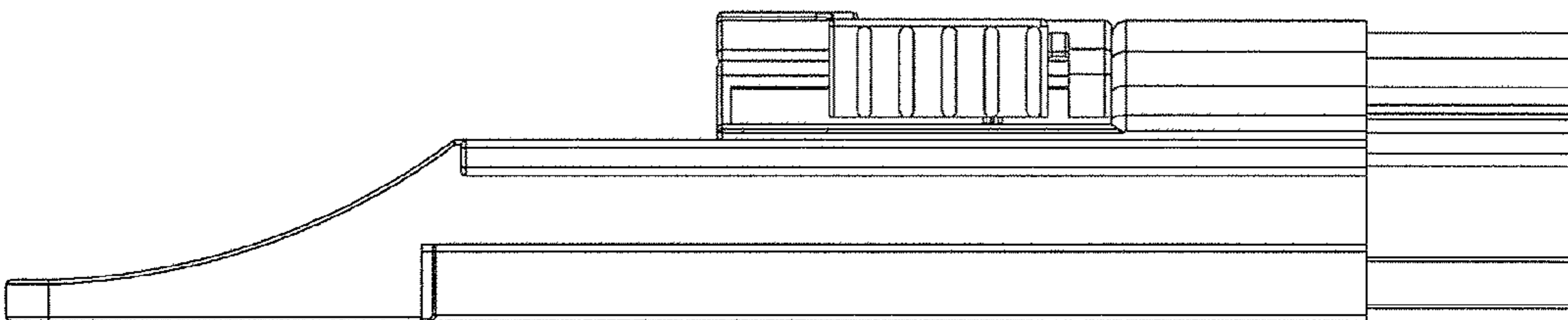


FIG. 4

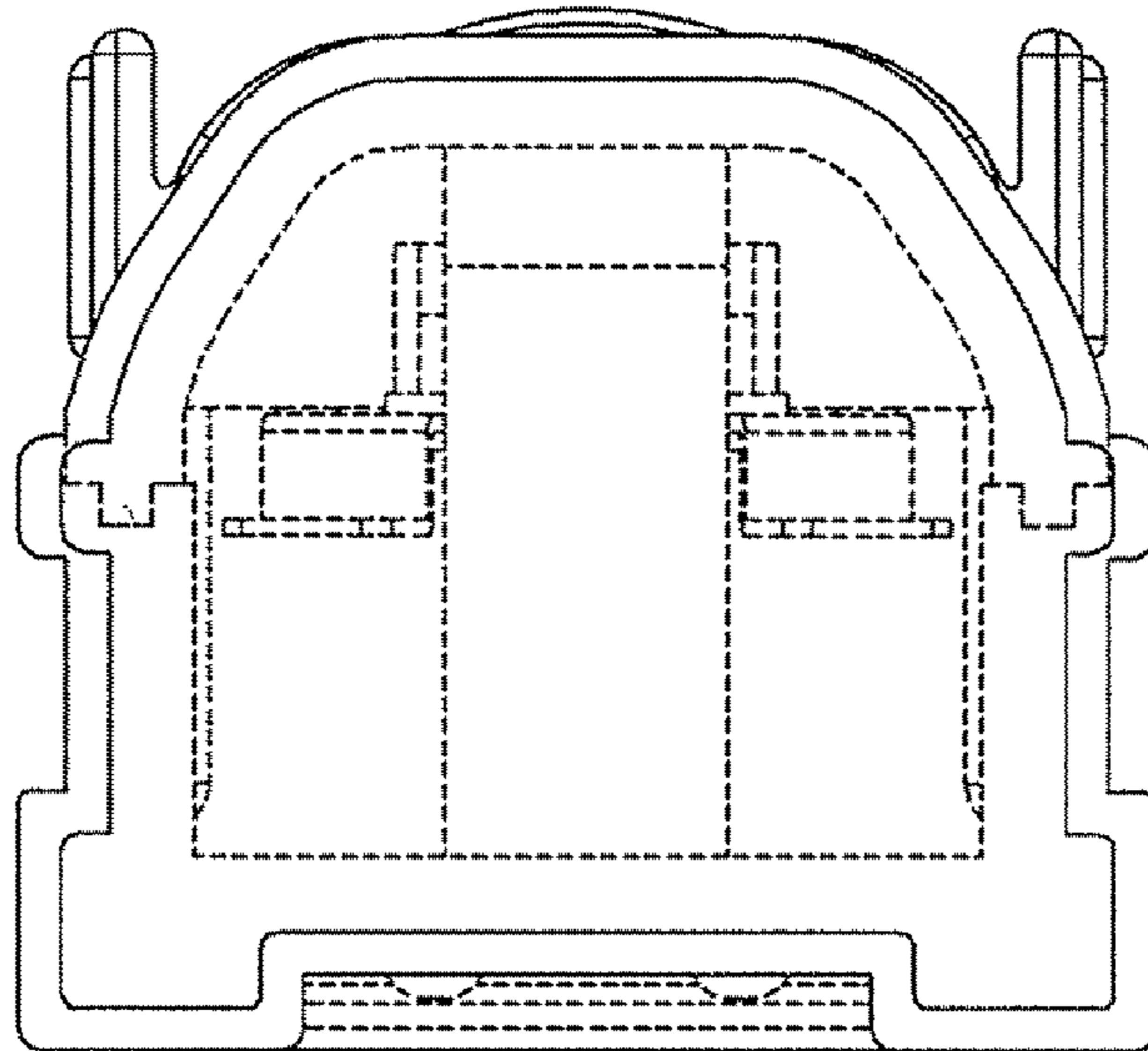


FIG. 5

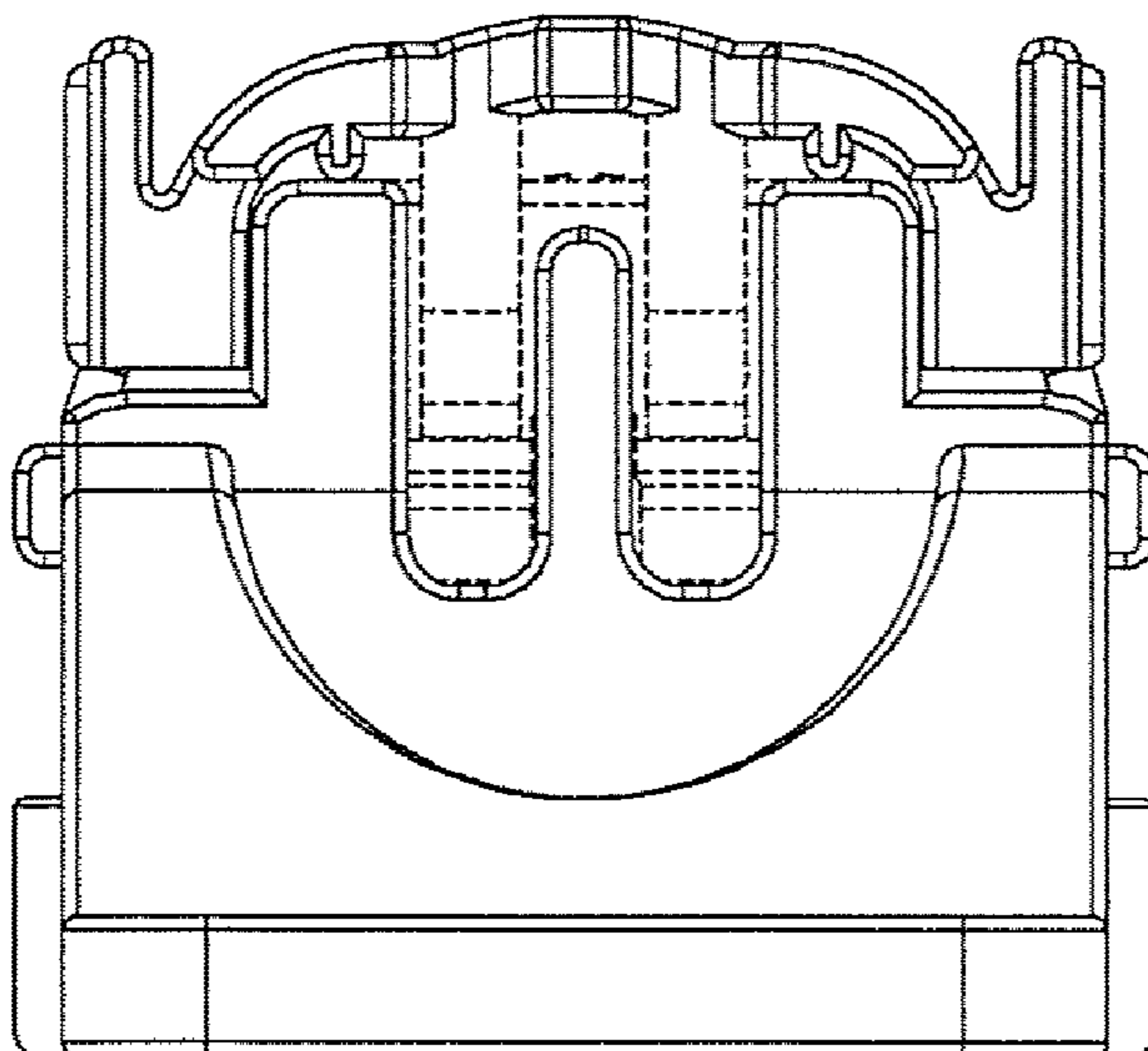


FIG. 6

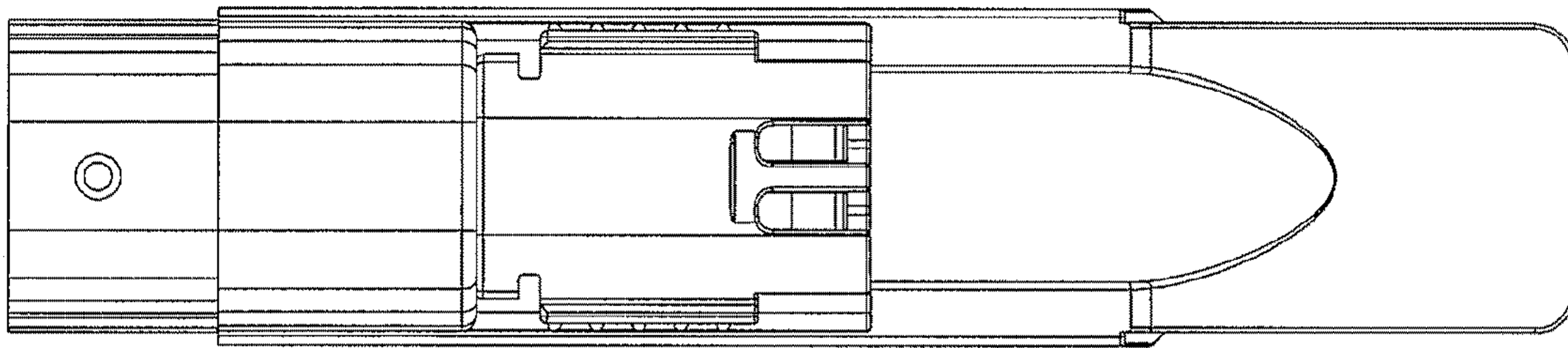


FIG. 7

