



US00D602194S

(12) **United States Design Patent**
Soderman et al.

(10) **Patent No.:** **US D602,194 S**

(45) **Date of Patent:** **** Oct. 13, 2009**

(54) **LIGHT FIXTURE**

(76) Inventors: **Daryl Soderman**, 1459 SW. 18 Ave.,
Fort Lauderdale, FL (US) 33312; **Dale B. Stepps**, 5613 Michel Rd., Mountain
Ranch, CA (US) 95246; **Mark Sutherland**, 2918 Bouyan St., Fort
Lauderdale, FL (US) 33316

(**) Term: **14 Years**

(21) Appl. No.: **29/312,350**

(22) Filed: **Oct. 16, 2008**

(51) **LOC (9) Cl.** **26-03**

(52) **U.S. Cl.** **D26/89**

(58) **Field of Classification Search** D26/72,
D26/84, 86, 88, 89, 91, 123, 128, 132-138,
D26/152; 362/147, 361, 363, 404, 453
See application file for complete search history.

(56) **References Cited**

U.S. PATENT DOCUMENTS

D57,027 S *	1/1921	Westphal	D26/134
D78,750 S *	6/1929	Gunnison	D26/86
D129,357 S *	9/1941	Greppin	D26/86
D132,276 S *	5/1942	Greppin	D26/86
D143,336 S *	12/1945	Morrison	D26/89
D150,357 S *	7/1948	Herbster	D26/86

D155,064 S *	9/1949	Baker	D26/86
D155,680 S *	10/1949	Baker	D26/86
D164,606 S *	9/1951	Schlage	D26/149
D234,797 S *	4/1975	De John et al.	D26/142
D303,437 S *	9/1989	Mason	D26/86
D339,651 S *	9/1993	Vieyra	D26/84
D365,159 S *	12/1995	Tinen	D25/138
D405,216 S *	2/1999	Porter et al.	D26/138
D556,075 S *	11/2007	Teiber et al.	D10/118
D591,448 S *	4/2009	Huang	D26/142

* cited by examiner

Primary Examiner—Clare E Heflin

(74) *Attorney, Agent, or Firm*—Malloy & Malloy, P.A.

(57) **CLAIM**

The ornamental design for a light fixture, as shown and described.

DESCRIPTION

FIG. 1 is a top view illustrating our design for a light fixture;

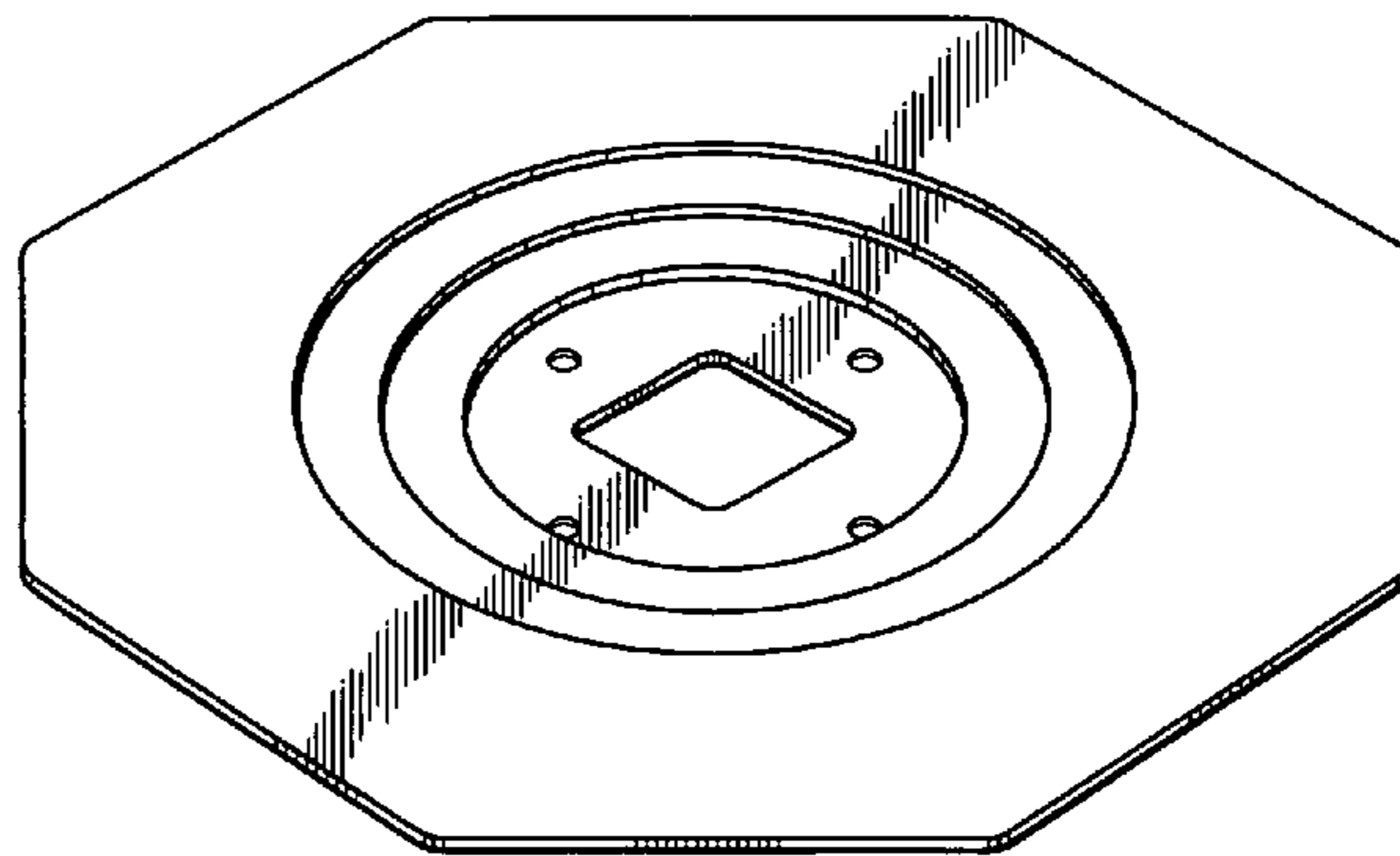
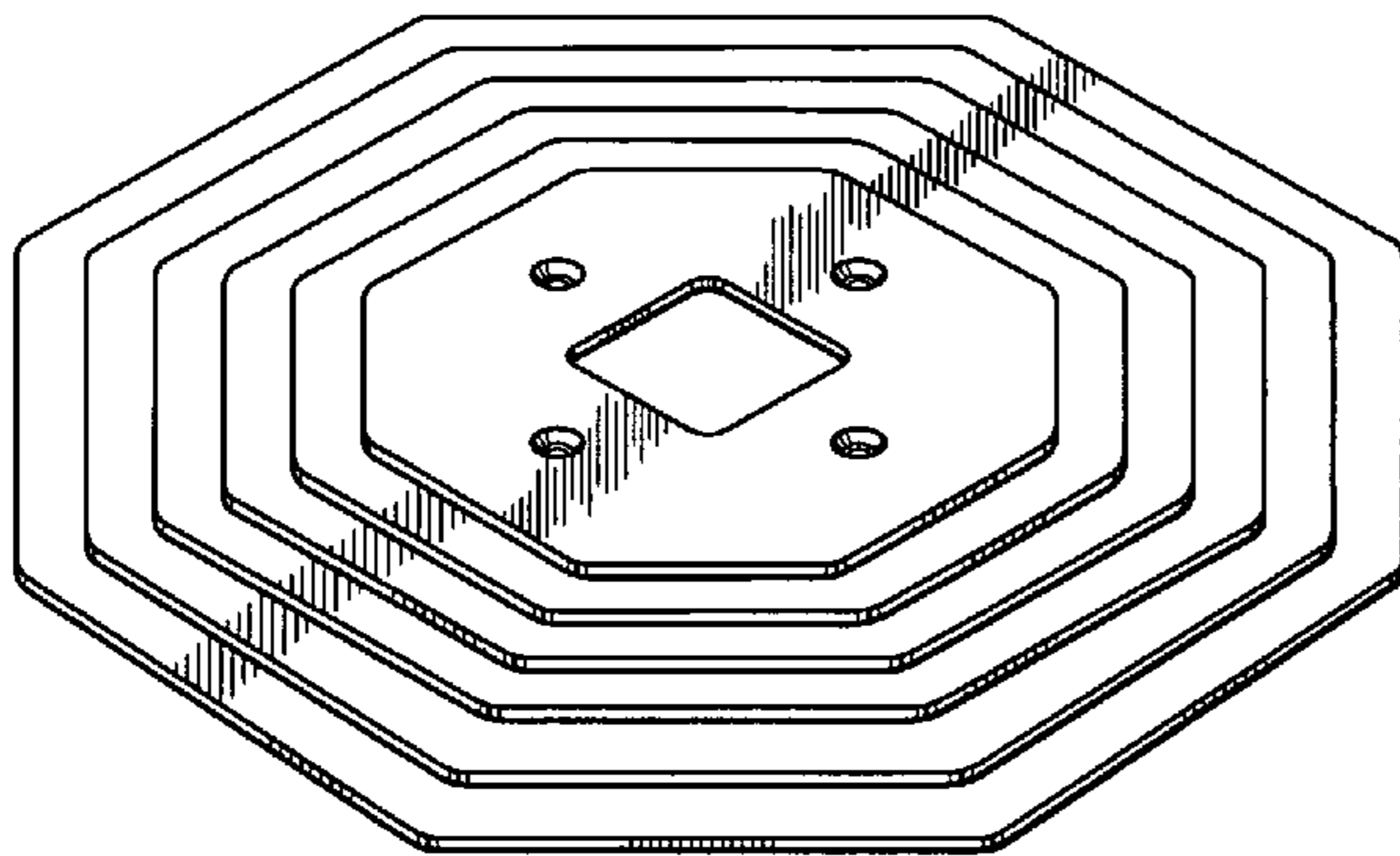
FIG. 2 is a front view wherein the rear view, right side view and left side view are mirror images thereof;

FIG. 3 is a bottom view thereof;

FIG. 4 is a top perspective view thereof; and,

FIG. 5 is a bottom perspective view thereof.

1 Claim, 2 Drawing Sheets



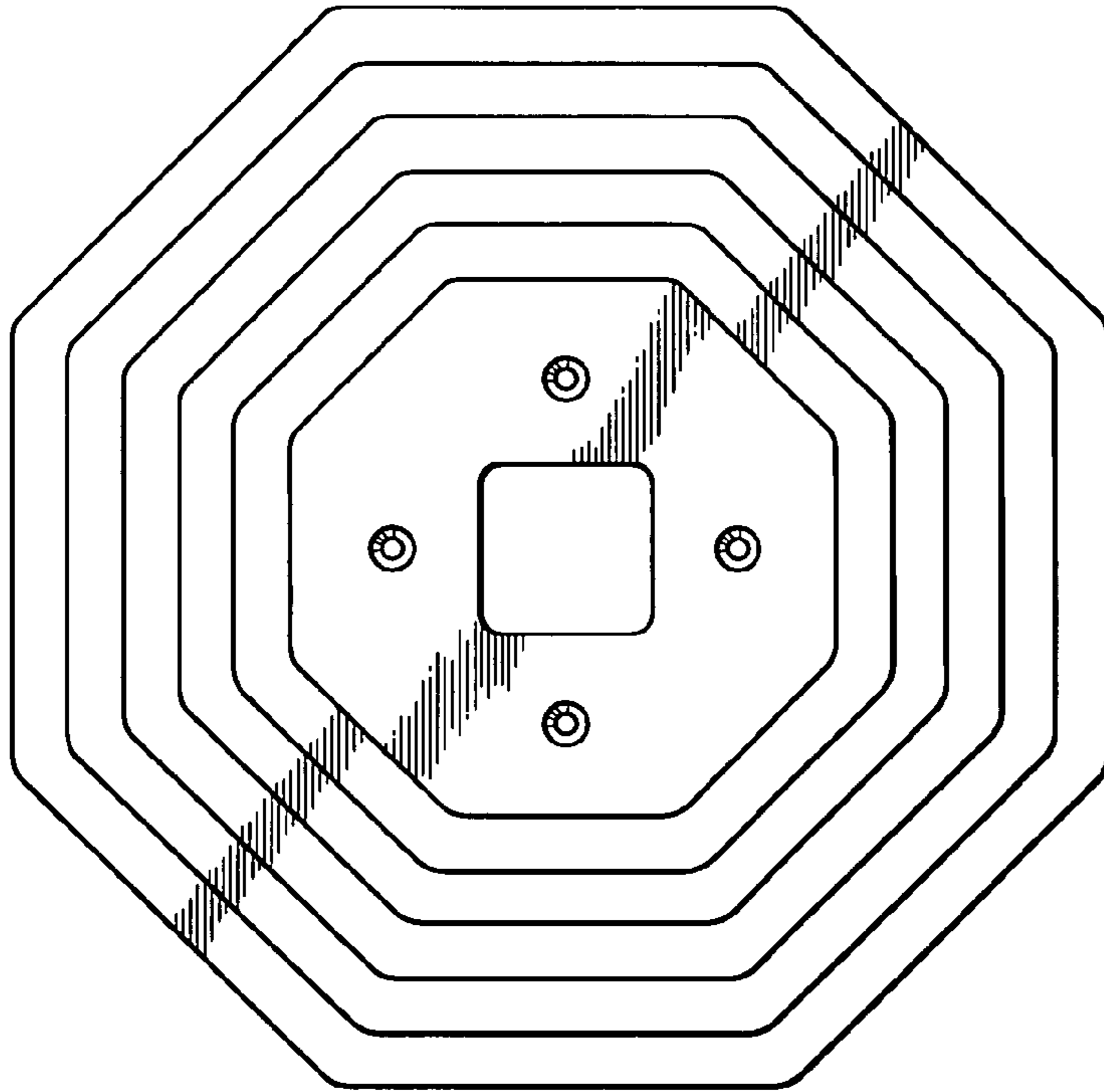


FIG. 1



FIG. 2

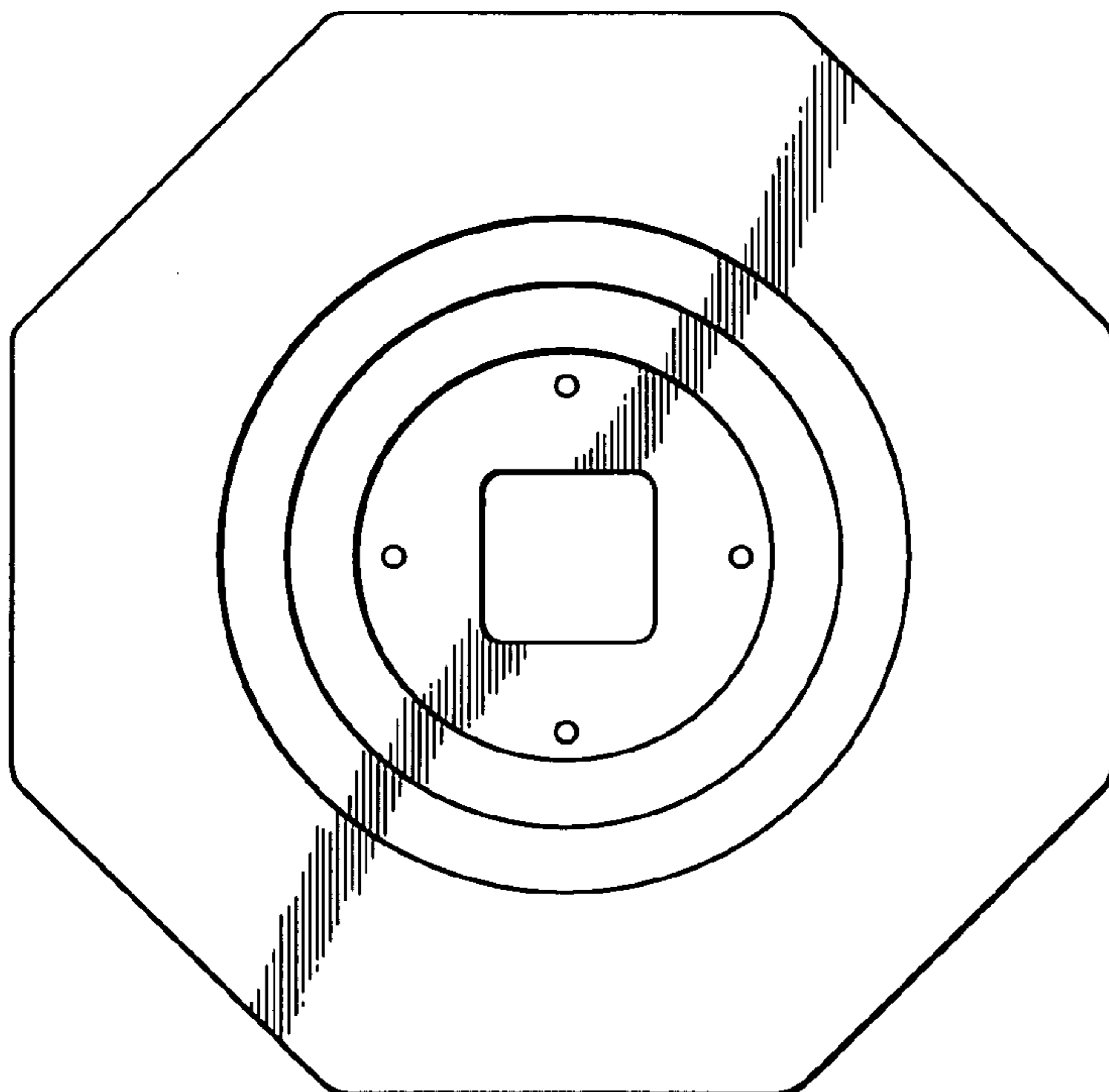


FIG. 3

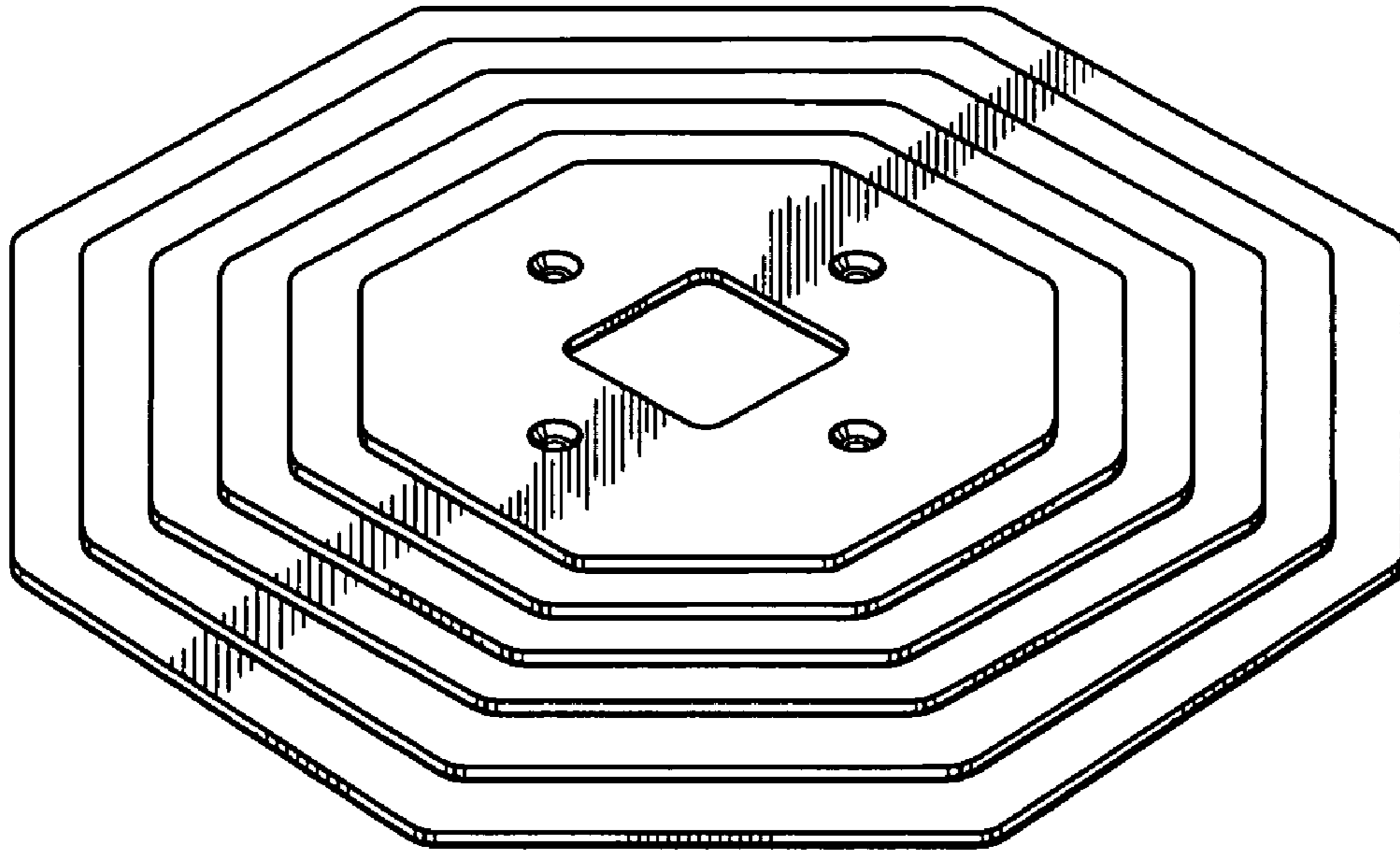


FIG. 4

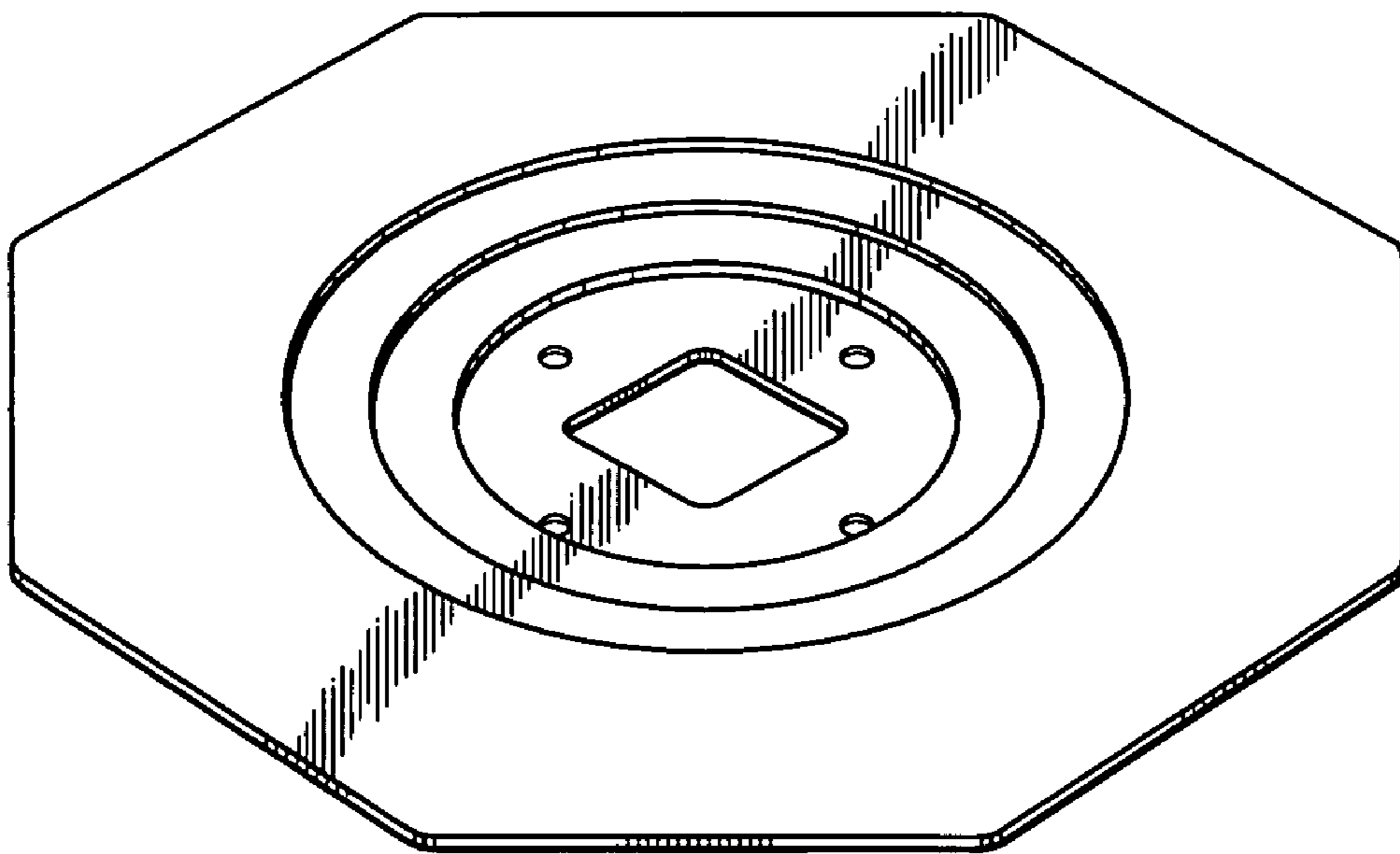


FIG. 5