



US00D602193S

(12) **United States Design Patent**
Soderman et al.

(10) **Patent No.:** **US D602,193 S**

(45) **Date of Patent:** **** Oct. 13, 2009**

(54) **LIGHT FIXTURE**

(76) Inventors: **Daryl Soderman**, 1459 SW. 18 Ave.,
Fort Lauderdale, FL (US) 33312; **Dale B. Stepps**, 5613 Michel Rd., Mountain
Ranch, CA (US) 95246; **Mark Sutherland**, 2918 Banyou St., Fort
Lauderdale, FL (US) 33316

(**) Term: **14 Years**

(21) Appl. No.: **29/312,349**

(22) Filed: **Oct. 16, 2008**

(51) **LOC (9) Cl.** **26-03**

(52) **U.S. Cl.** **D26/89**

(58) **Field of Classification Search** D26/72,
D26/84, 86, 88, 89, 91, 123, 128, 132-137,
D26/152; 362/147, 361, 363, 404, 453
See application file for complete search history.

(56) **References Cited**

U.S. PATENT DOCUMENTS

D129,357 S * 9/1941 Greppin D26/86
D132,276 S * 5/1942 Greppin D26/86

D150,357 S * 7/1948 Herbster D26/86
D155,680 S * 10/1949 Baker D26/86
D339,651 S * 9/1993 Vieyra D26/84
D365,159 S * 12/1995 Tinen D25/138
D556,075 S * 11/2007 Teiber et al. D10/118
D592,347 S * 5/2009 Trott et al. D26/74
D592,348 S * 5/2009 Trott et al. D26/74

* cited by examiner

Primary Examiner—Clare E Heflin

(74) *Attorney, Agent, or Firm*—Malloy & Malloy, P.A.

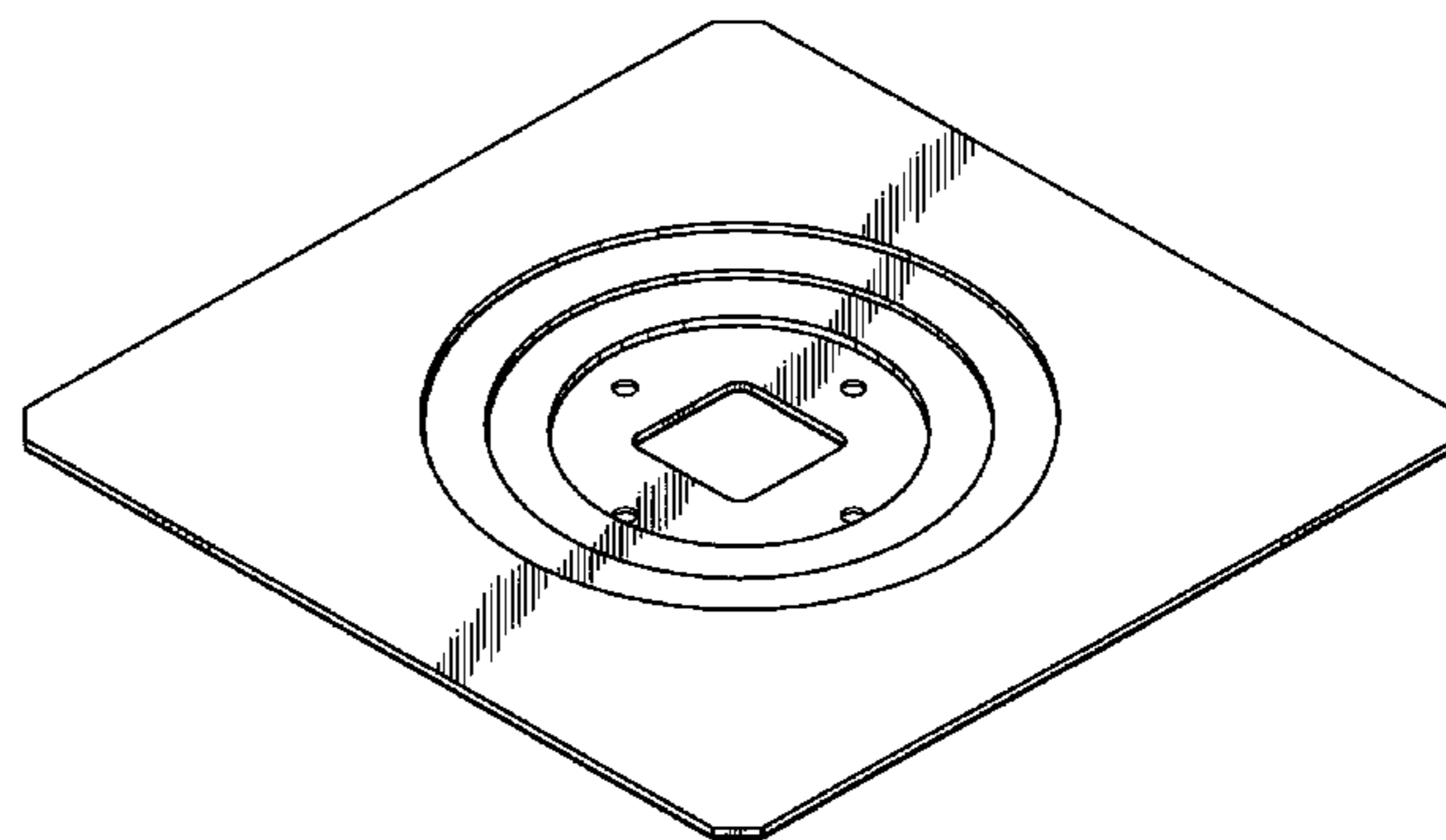
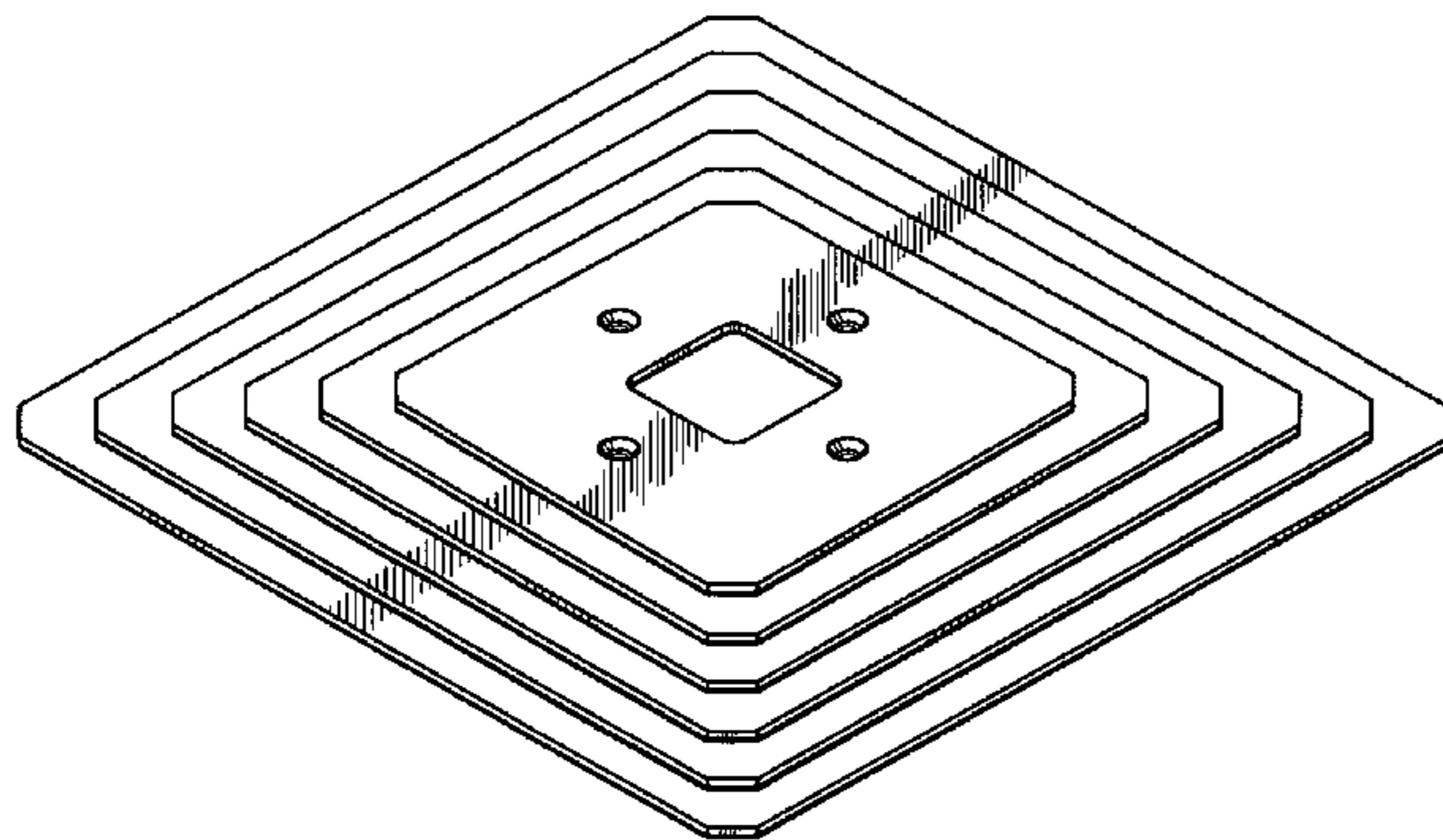
(57) **CLAIM**

The ornamental design for a light fixture, as shown and described.

DESCRIPTION

FIG. 1 is a top view illustrating our design for a light fixture;
FIG. 2 is a front view wherein the rear view, right side view
and left side view are mirror images thereof;
FIG. 3 is a bottom view thereof;
FIG. 4 is a top perspective view thereof; and,
FIG. 5 is a bottom perspective view thereof.

1 Claim, 2 Drawing Sheets



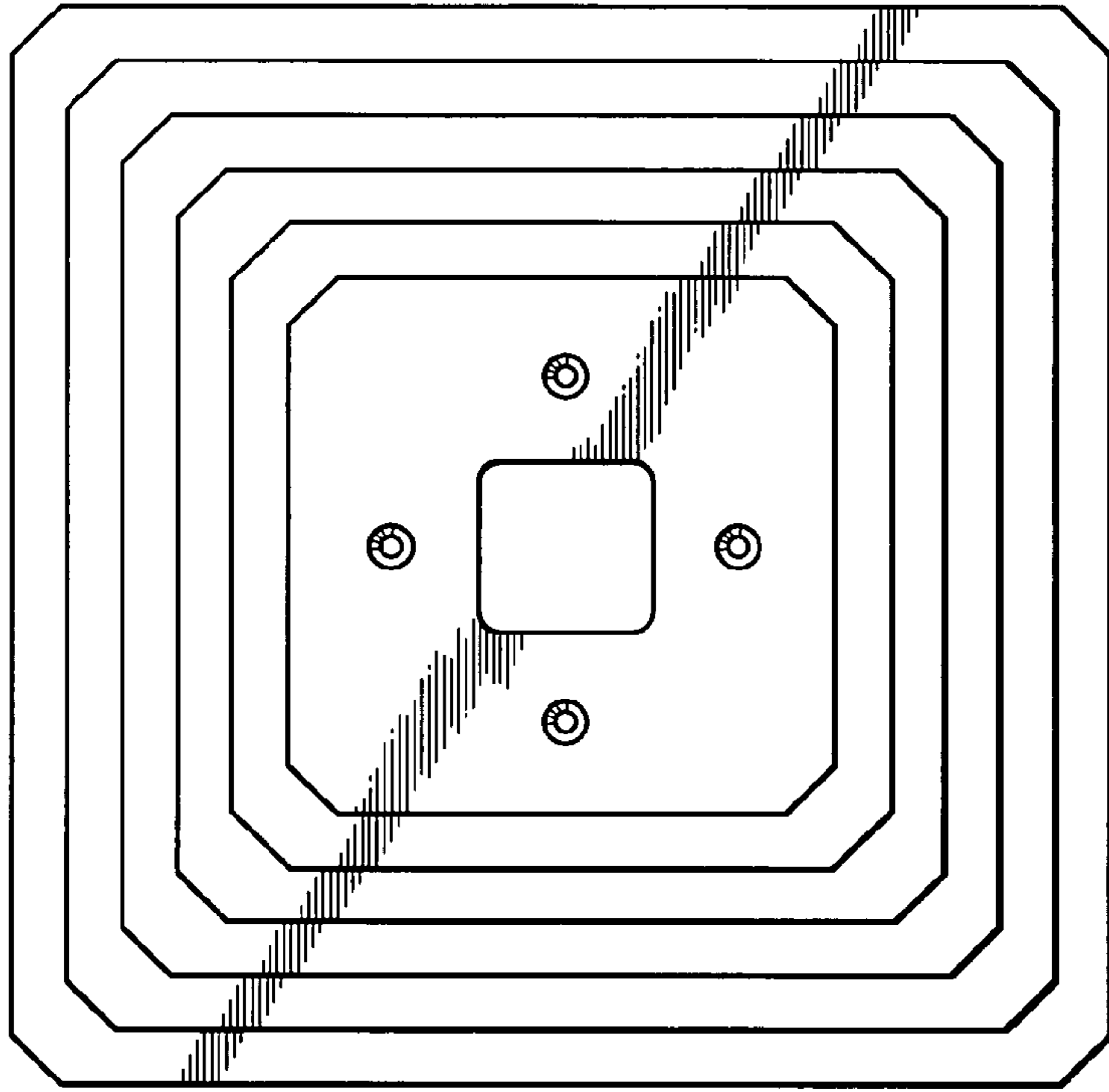


FIG. 1

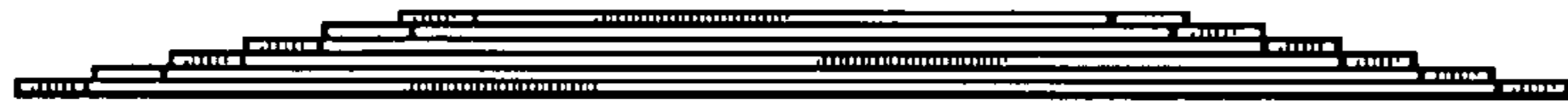


FIG. 2

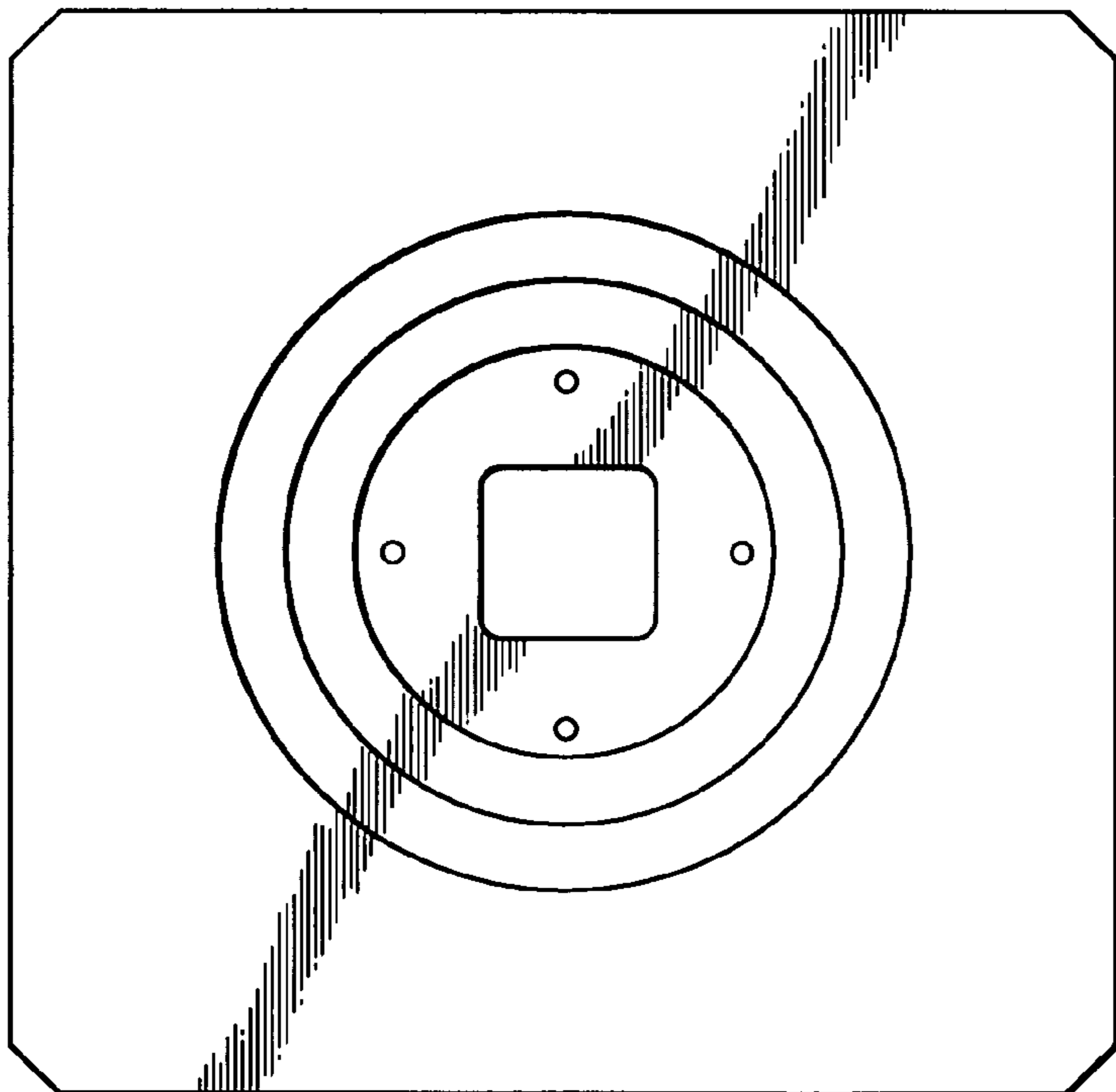


FIG. 3

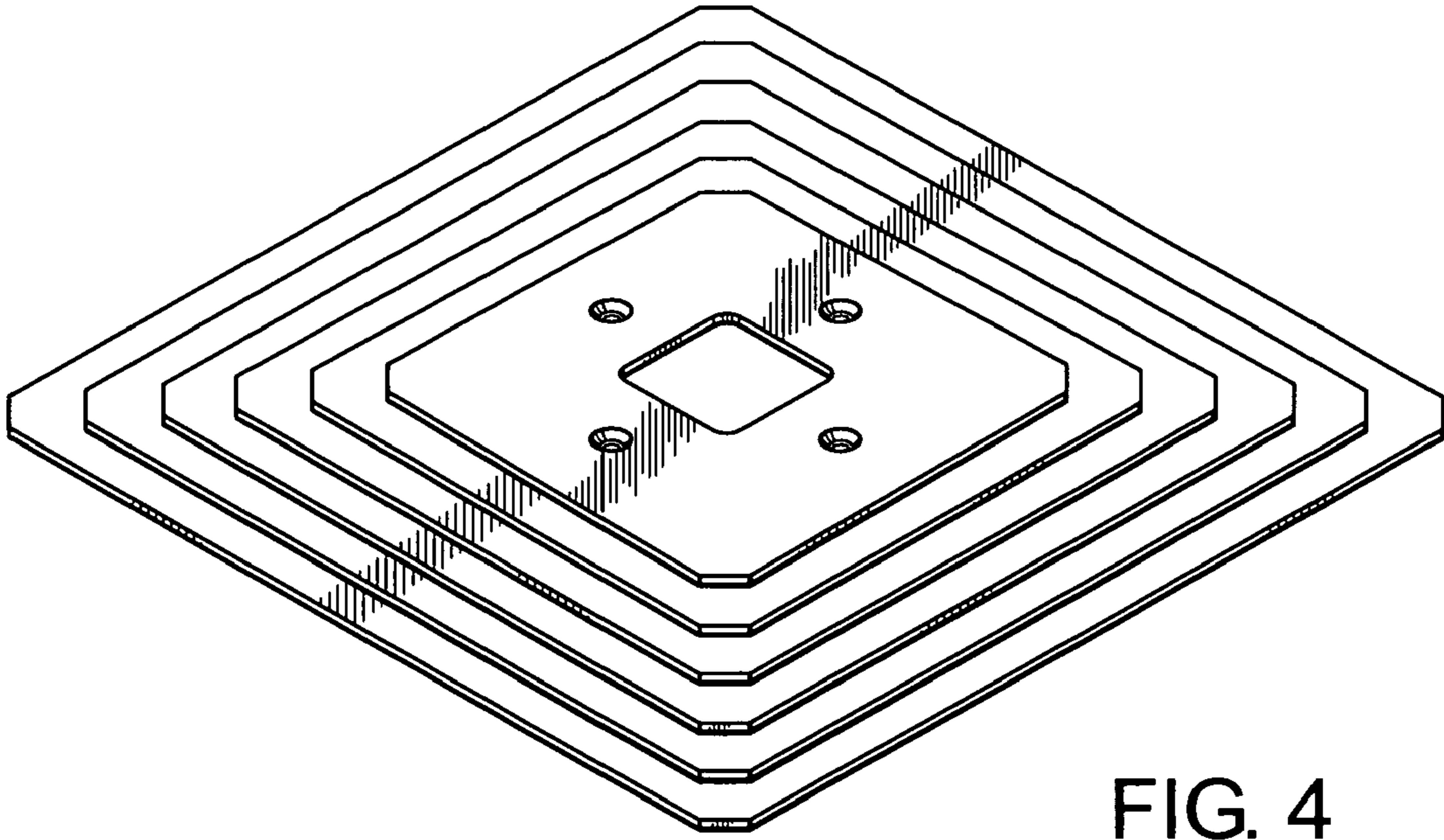


FIG. 4

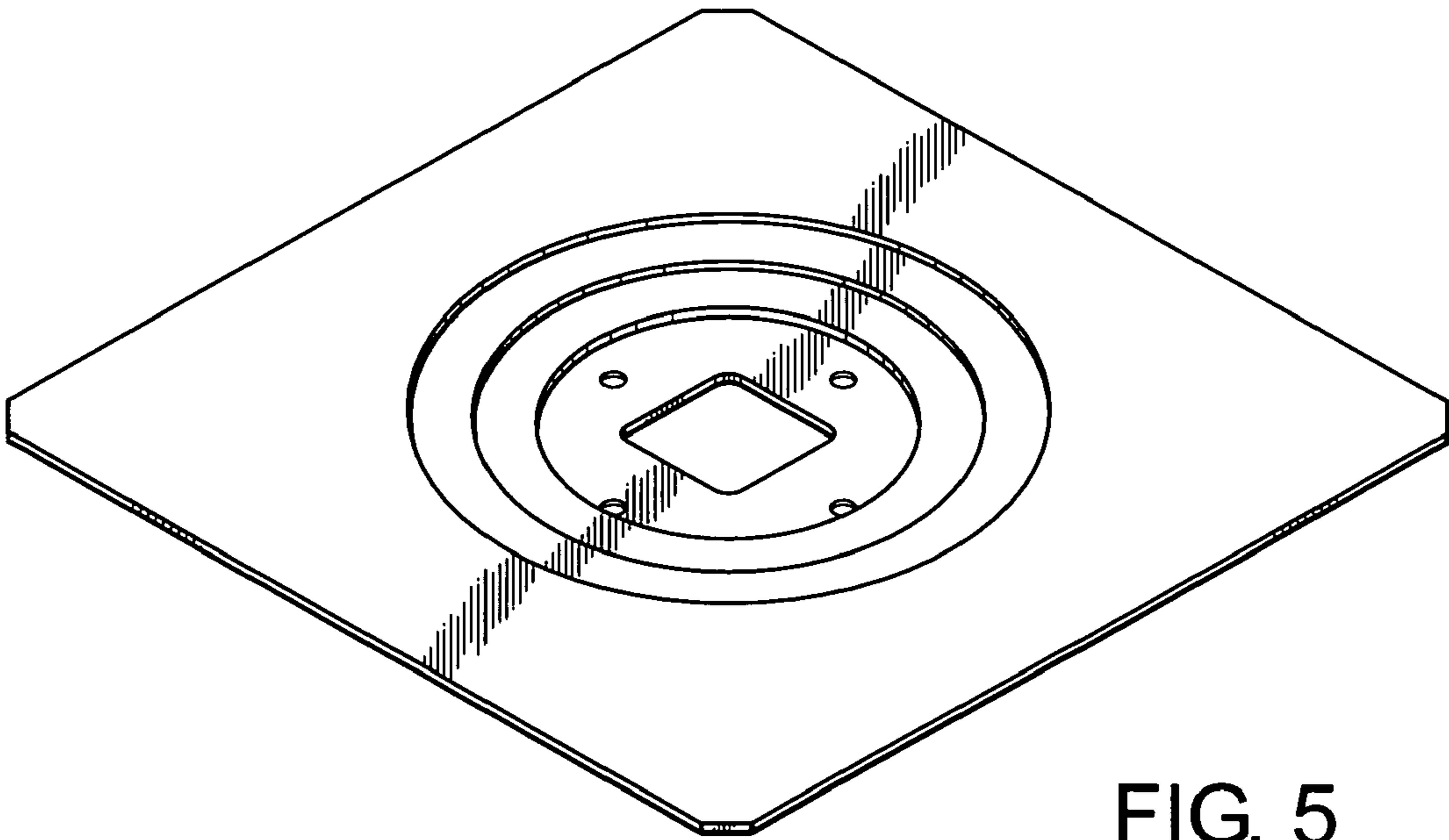


FIG. 5