

US00D602191S

(12) **United States Design Patent**  
**Chang et al.**

(10) **Patent No.:** **US D602,191 S**  
(45) **Date of Patent:** **\*\* Oct. 13, 2009**

(54) **LED ILLUMINATION PENDENT LAMP**

(75) Inventors: **Kun-Jung Chang**, Kaohsiung County (TW); **Ching-Yuan Juan**, Kaohsiung County (TW); **Kuo-Chun Lin**, Kaohsiung County (TW); **Ching-Huang Juan**, Kaohsiung County (TW)

(73) Assignee: **Li-Hong Technological Co., Ltd.**, Kaohsiung County (TW)

(\*\*) Term: **14 Years**

(21) Appl. No.: **29/333,410**

(22) Filed: **Mar. 9, 2009**

(51) **LOC (9) Cl.** ..... **26-03**

(52) **U.S. Cl.** ..... **D26/84; D26/88**

(58) **Field of Classification Search** ..... D26/72,  
D26/84, 88, 89, 128, 132-137, 152; 362/147,  
362/361, 363, 404, 453

See application file for complete search history.

(56) **References Cited**

**U.S. PATENT DOCUMENTS**

D43,166 S *	10/1912	Schepmoes	.....	D26/89
D190,827 S *	7/1961	Phillips	.....	D26/89
3,168,252 A *	2/1965	Cabernoch	.....	362/404
D238,389 S *	1/1976	Tongson	.....	D26/137

D317,511 S *	6/1991	Ciceri et al.	.....	D26/89
D426,017 S *	5/2000	Bleisch	.....	D26/136
D494,303 S *	8/2004	Chandler	.....	D26/89
D543,308 S *	5/2007	Layne	.....	D26/128
D549,866 S *	8/2007	Pan	.....	D26/89

\* cited by examiner

*Primary Examiner*—Clare E Heflin

(74) *Attorney, Agent, or Firm*—Muncy, Geissler, Olds & Lowe, PLLC

(57) **CLAIM**

The ornamental design for an “LED illumination pendent lamp,” as shown and described.

**DESCRIPTION**

FIG. 1 is a bottom perspective view of an LED illumination pendent lamp showing our new design;

FIG. 2 is a top perspective view thereof;

FIG. 3 is a bottom plan view thereof;

FIG. 4 is a top plan view thereof;

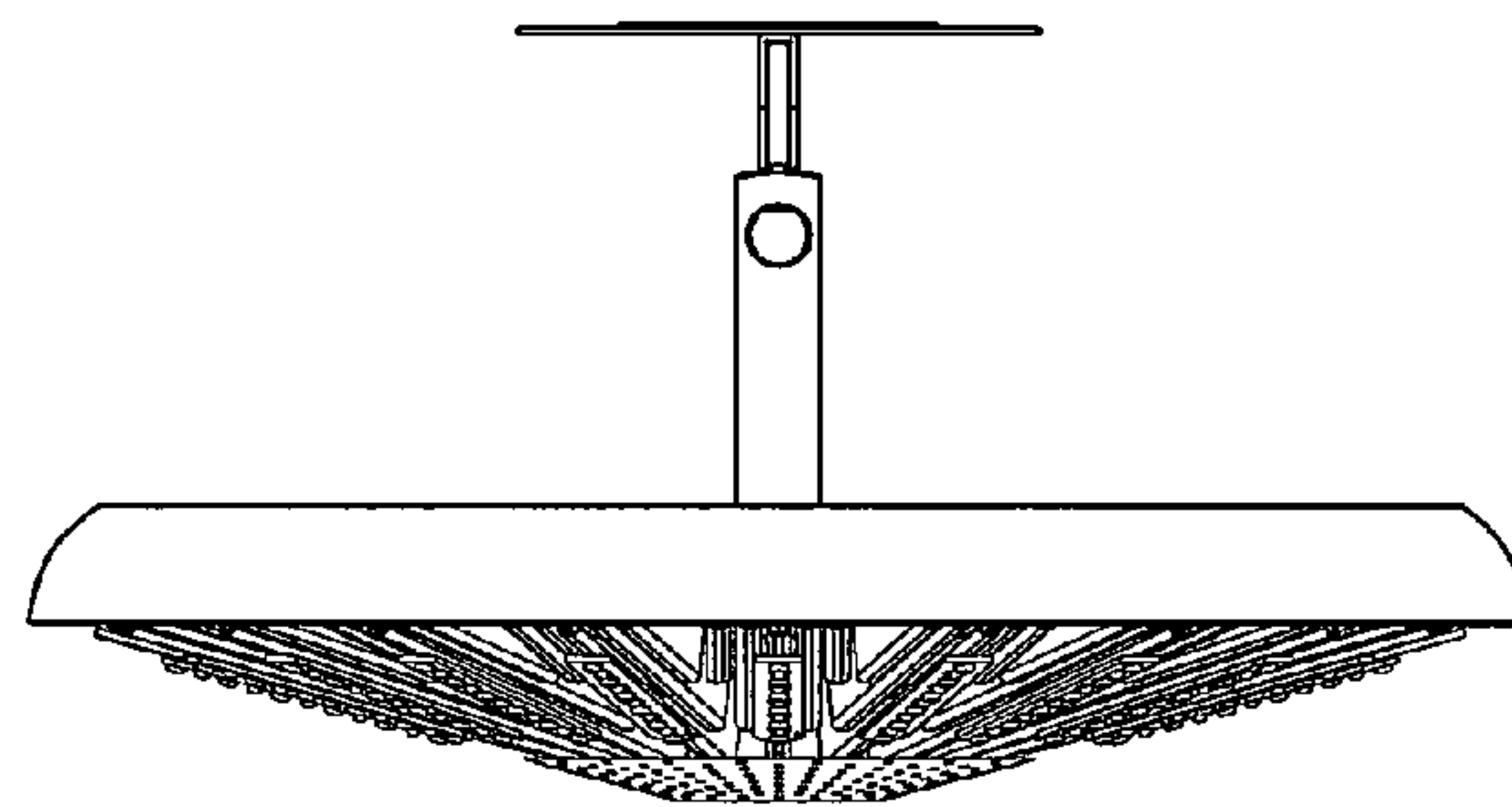
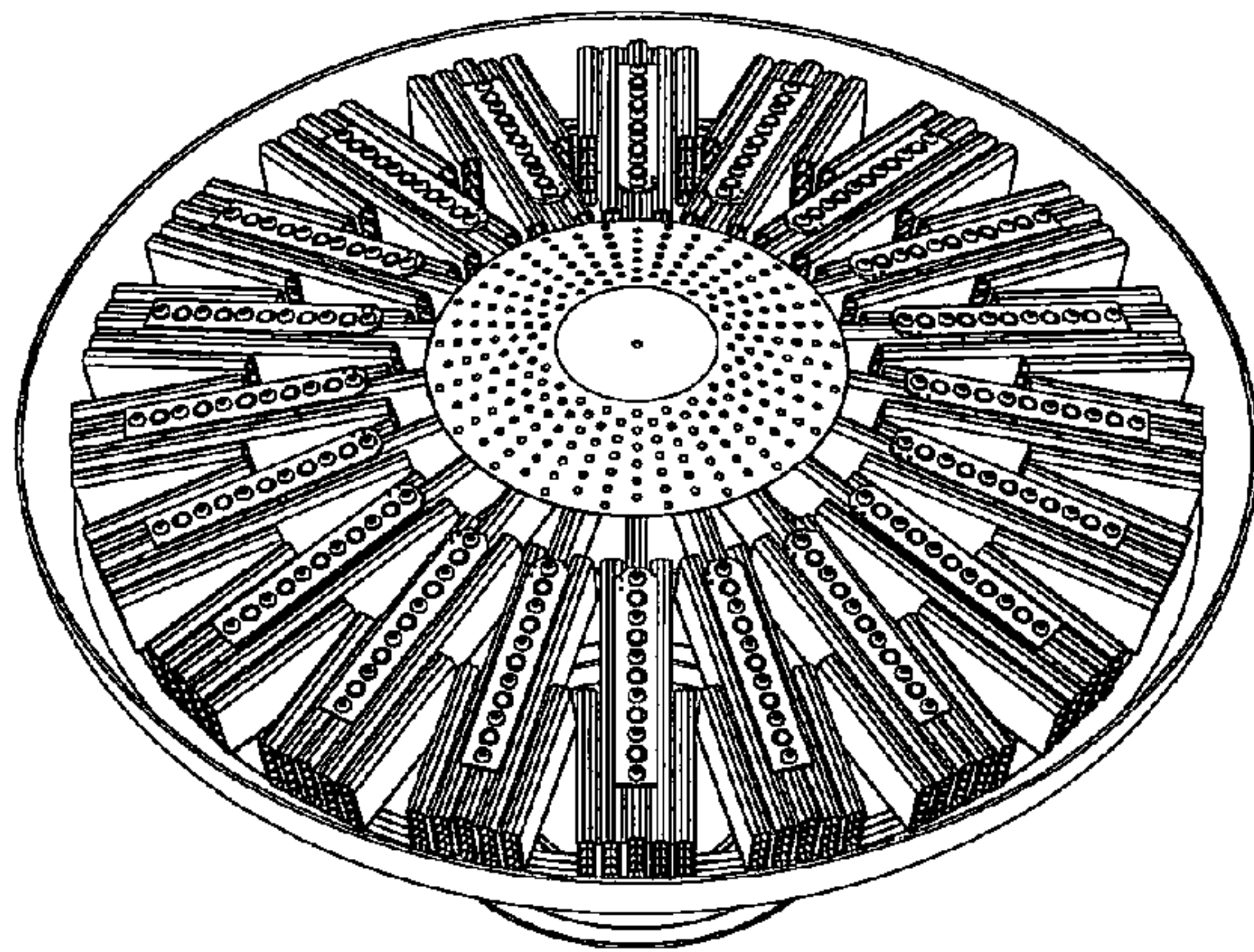
FIG. 5 is a right side elevation view thereof;

FIG. 6 is a left side elevation view thereof;

FIG. 7 is a front elevation view thereof; and,

FIG. 8 is a rear elevation view thereof.

**1 Claim, 4 Drawing Sheets**



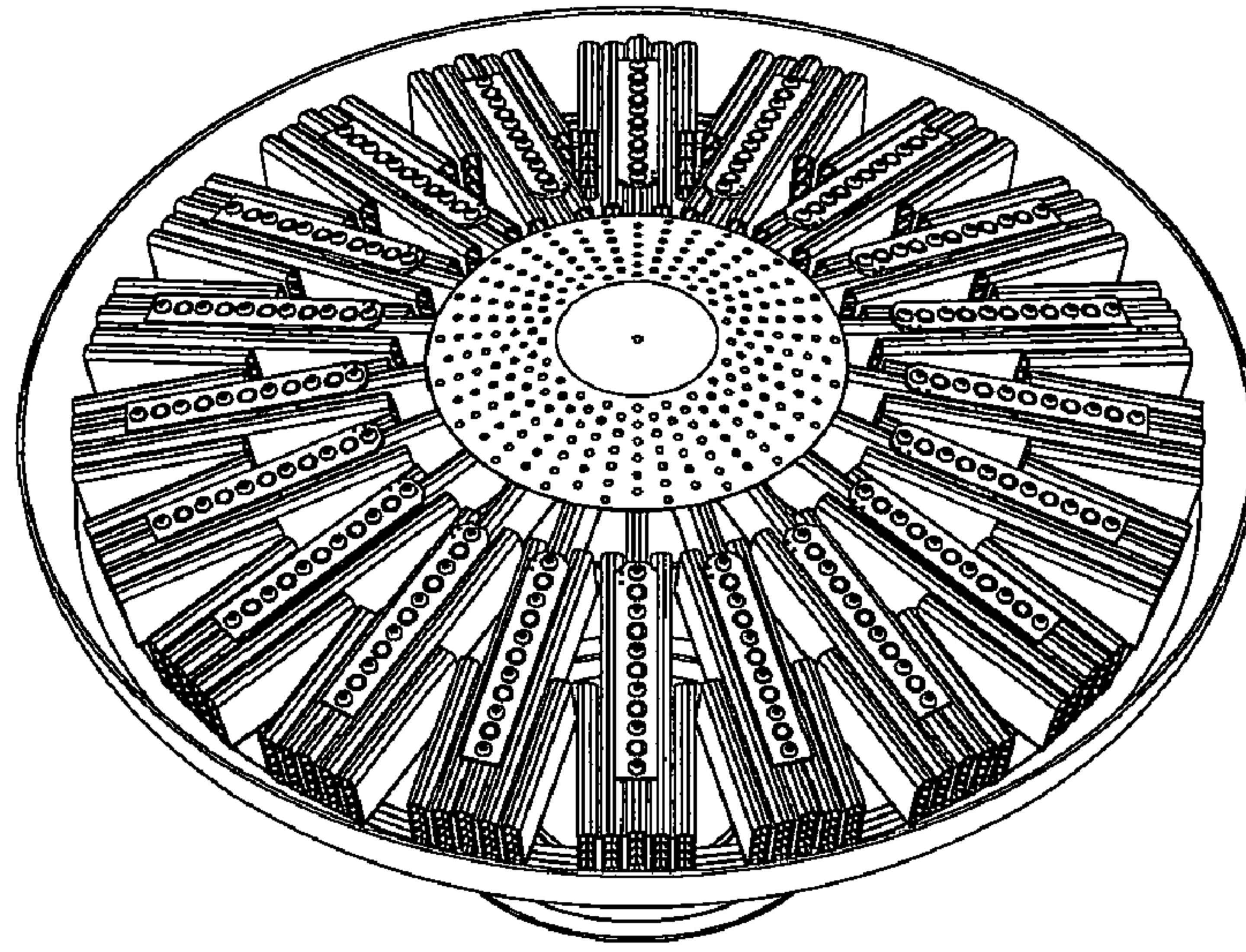


Fig. 1

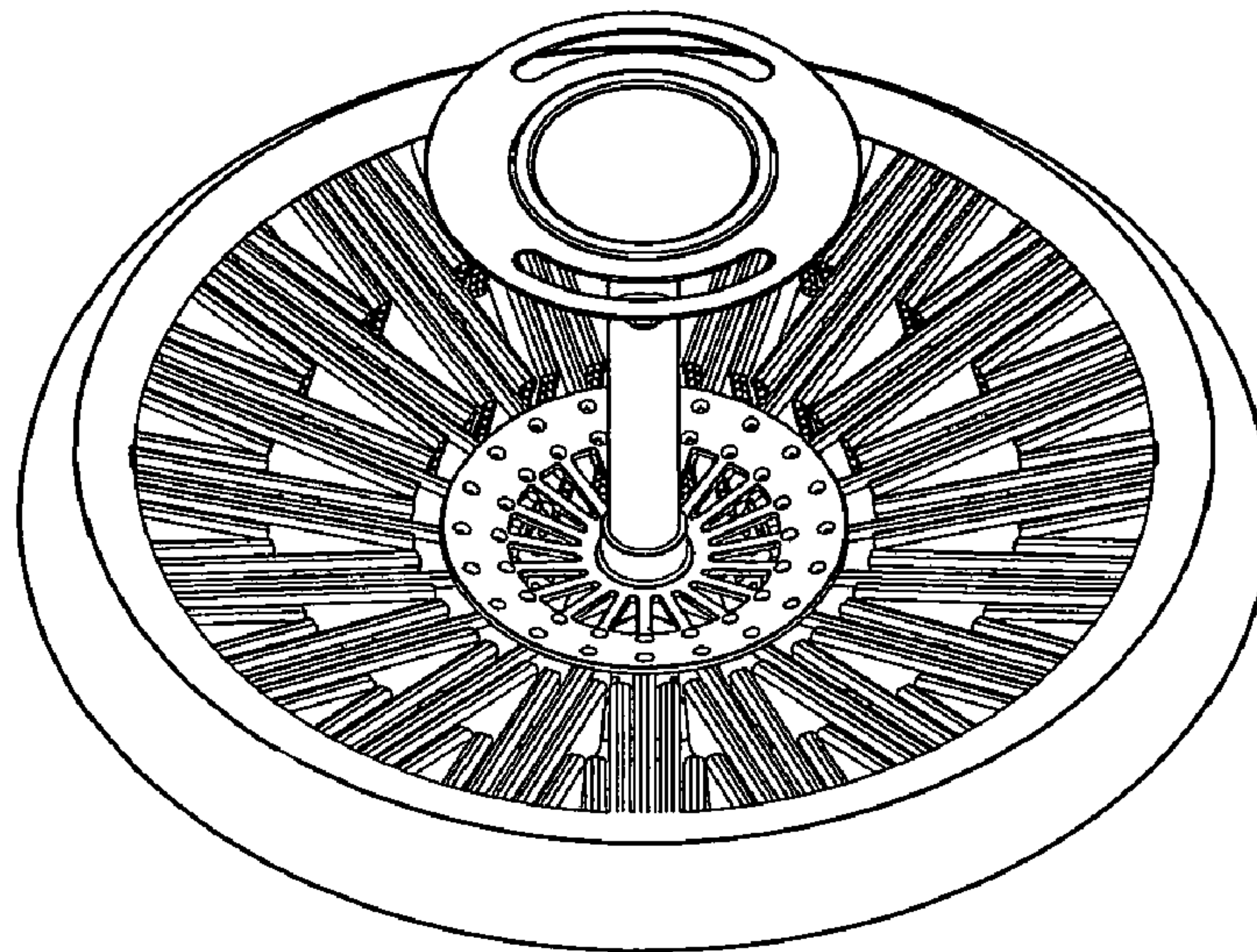


Fig. 2



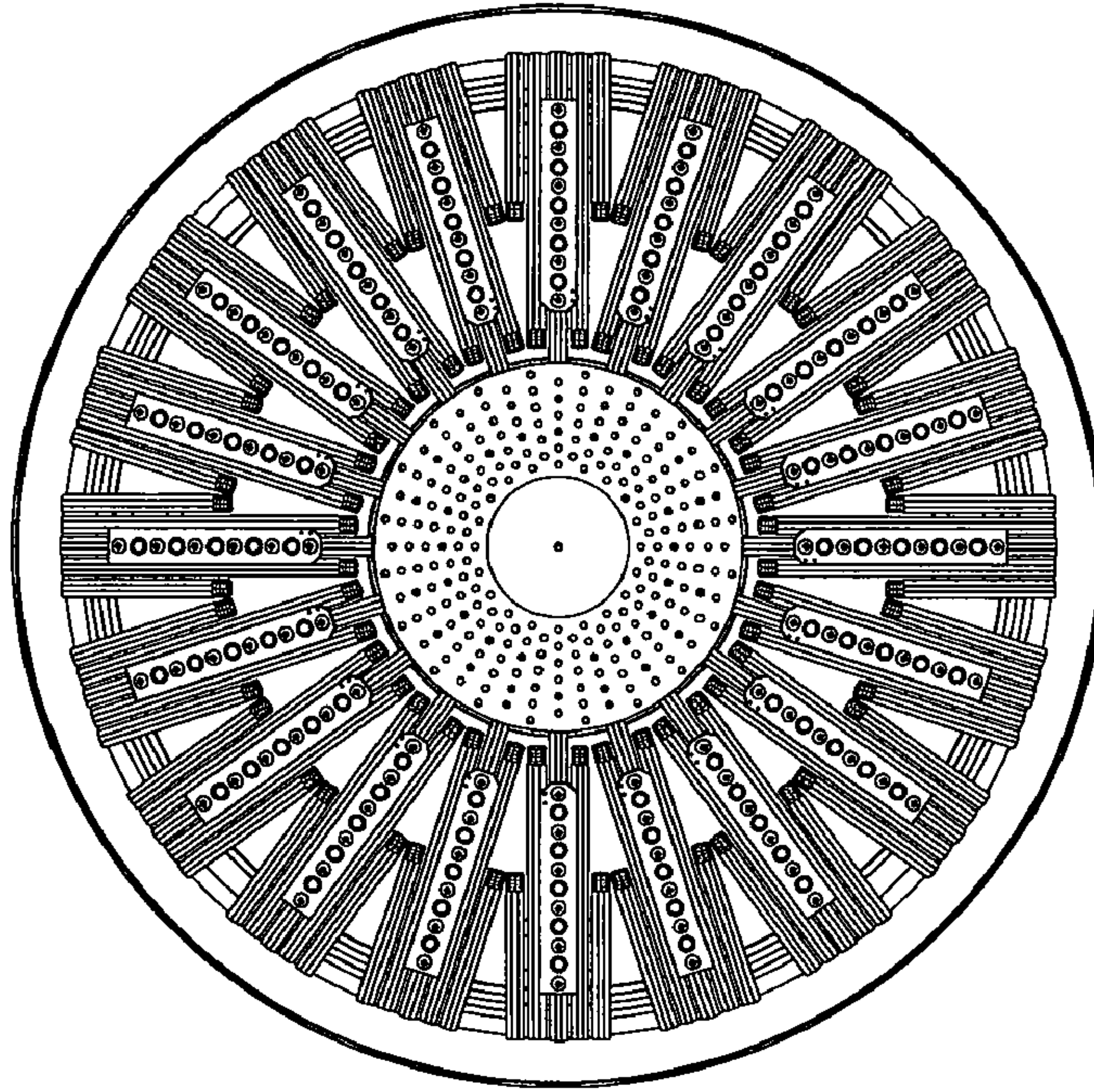


Fig. 3

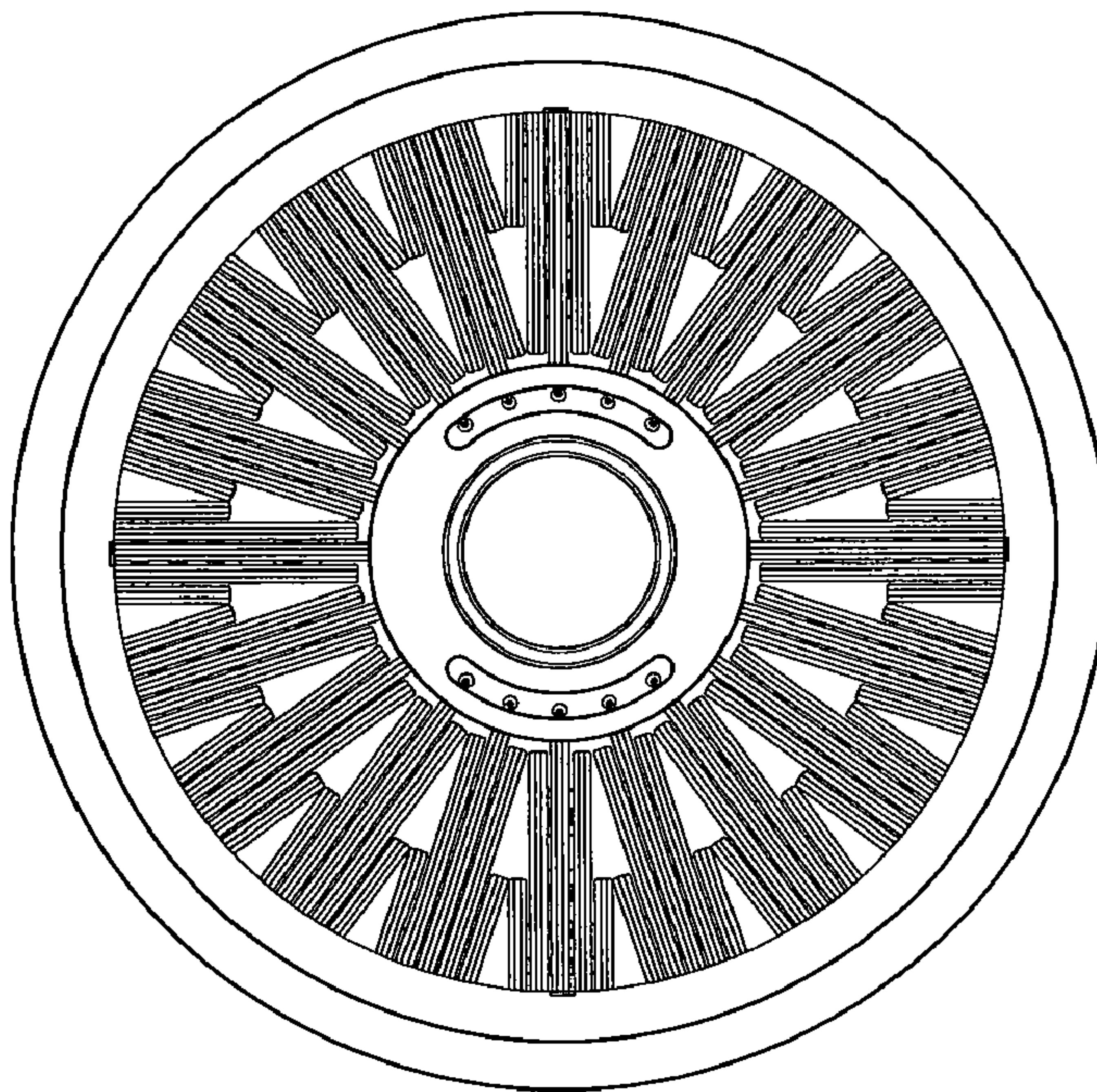


Fig. 4

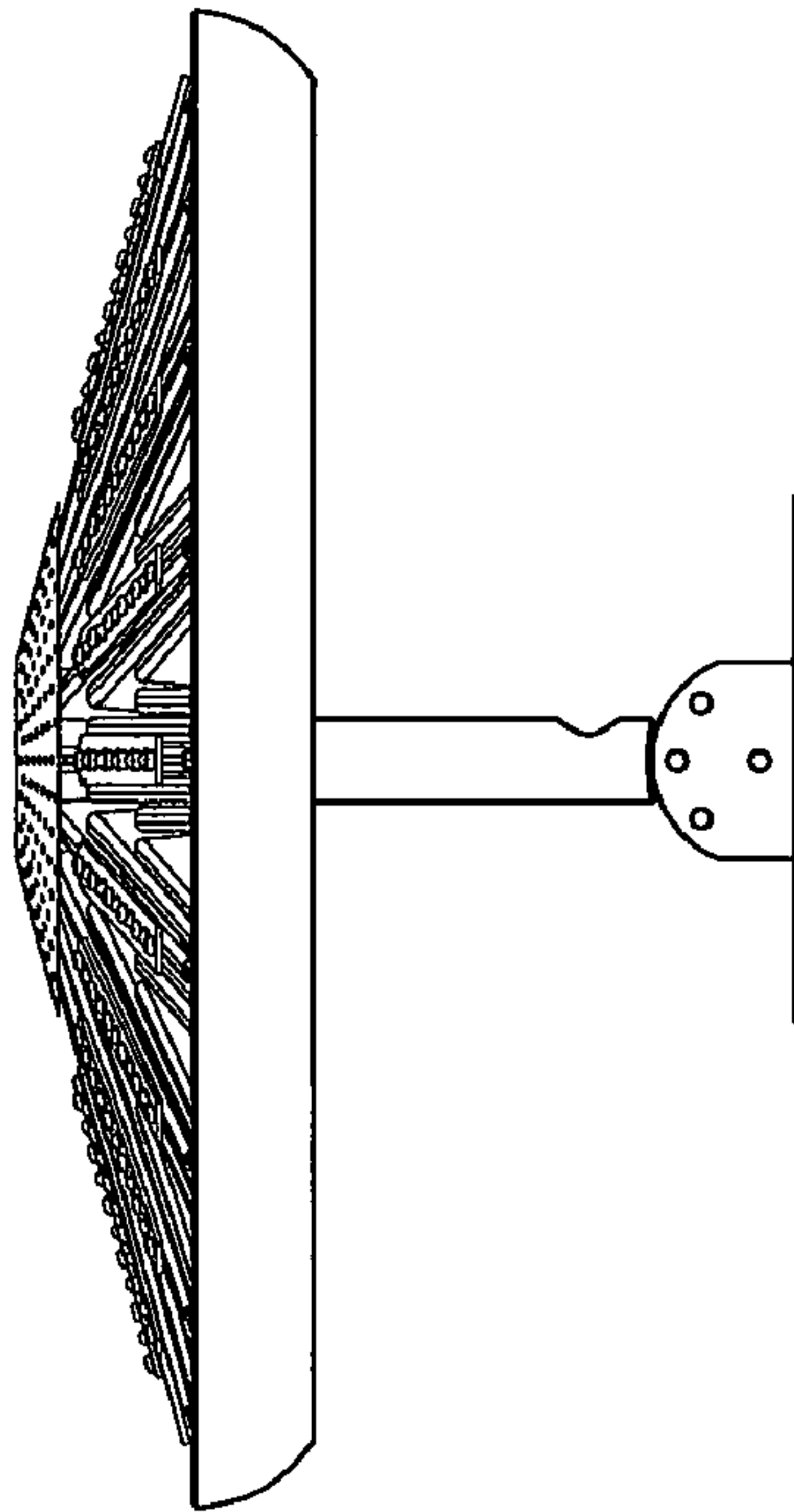


Fig. 5

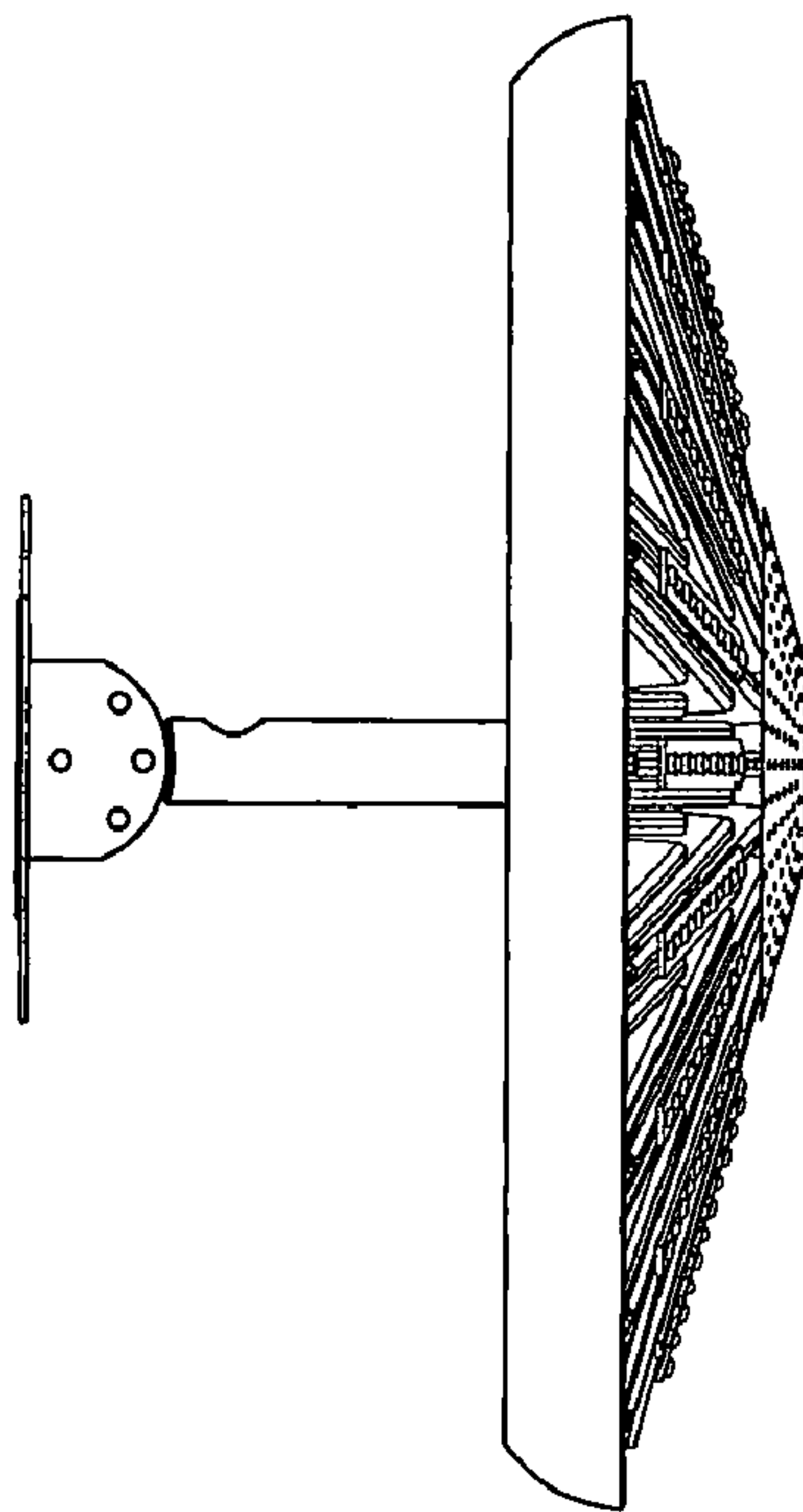


Fig. 6

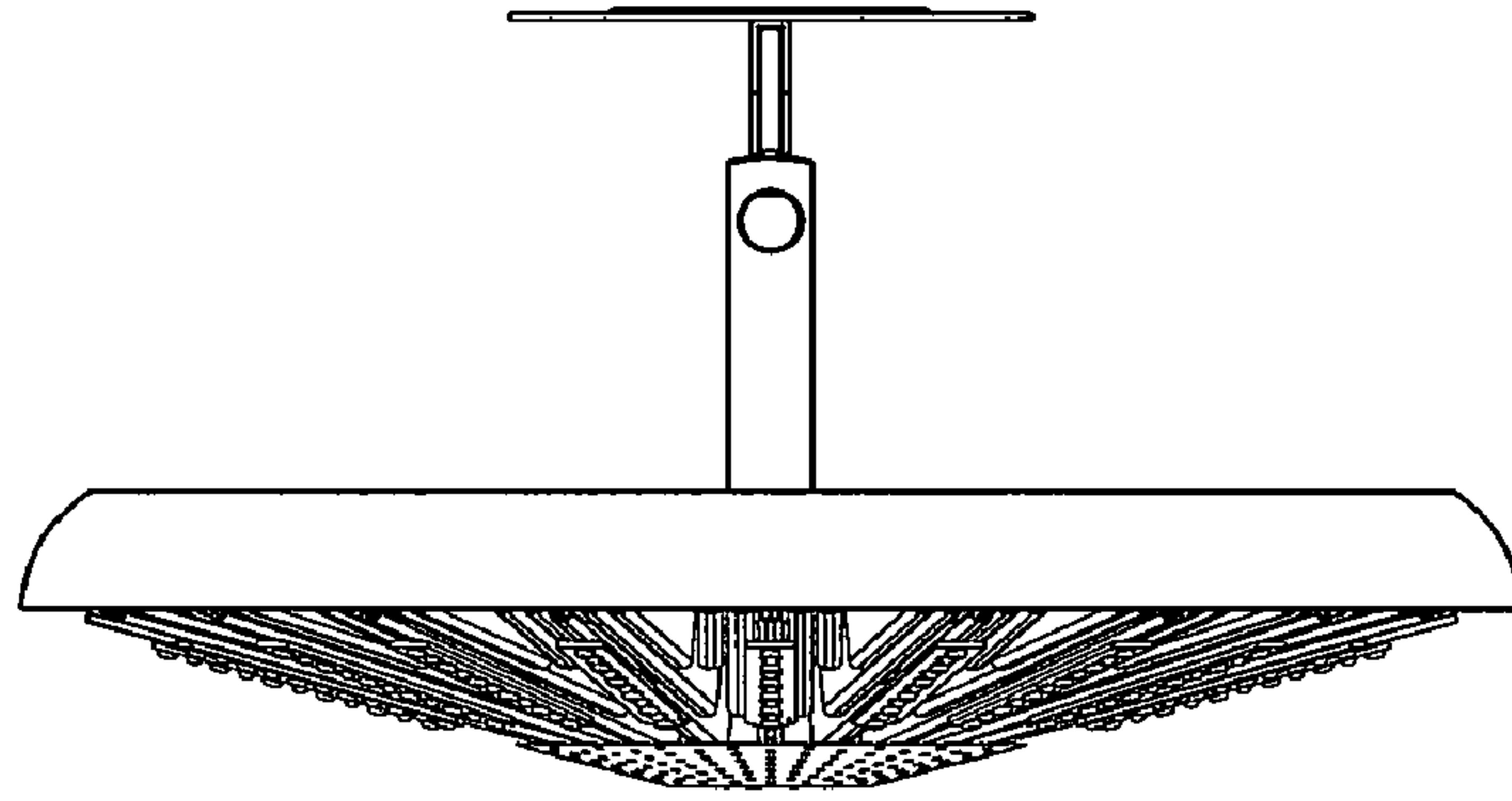


Fig. 7

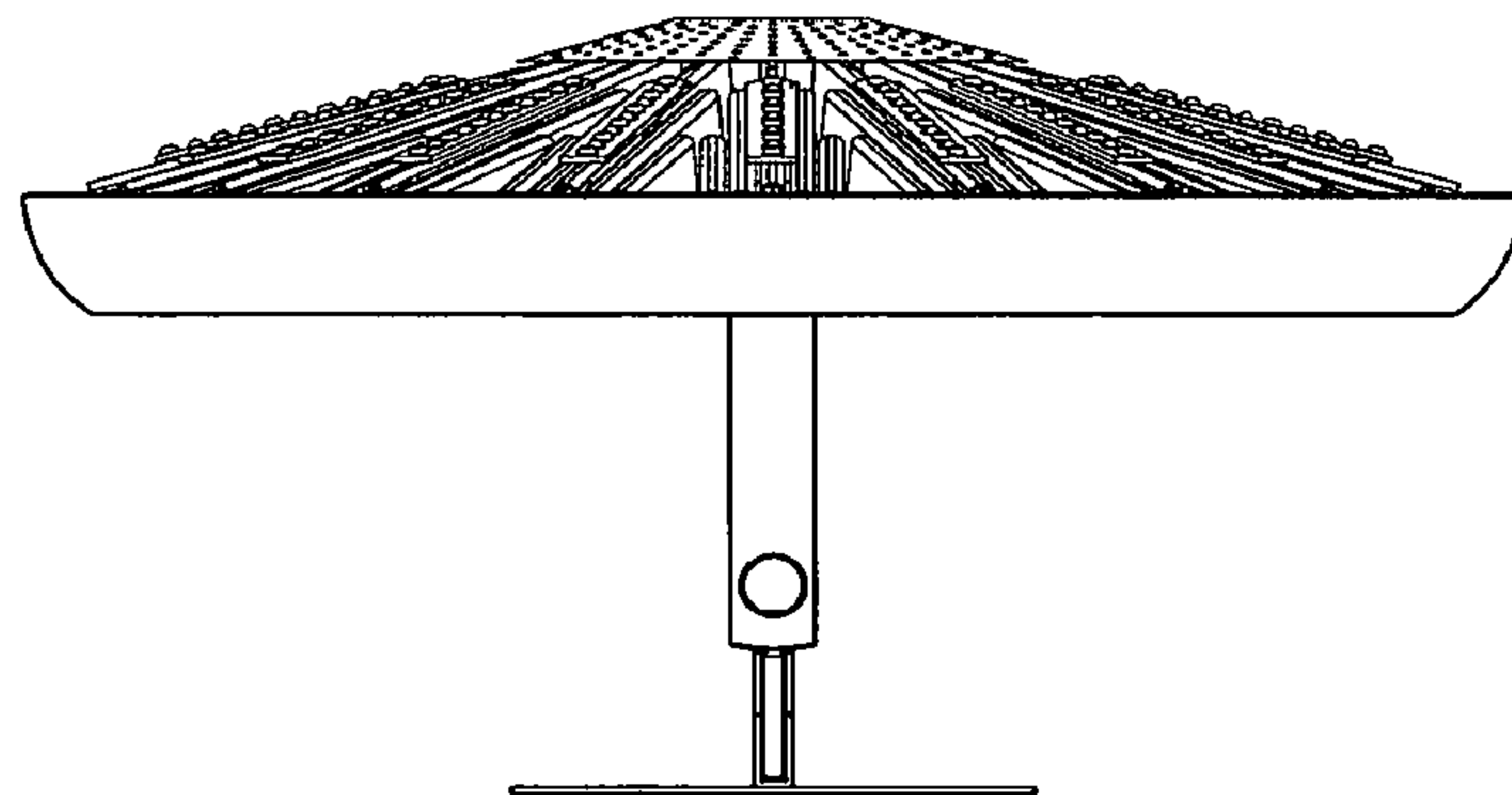


Fig. 8