



US00D602188S

(12) **United States Design Patent**
Fabbri et al.

(10) **Patent No.:** **US D602,188 S**
(45) **Date of Patent:** **** Oct. 13, 2009**

(54) **LUMINAIRE**

(75) Inventors: **William C. Fabbri**, Barnstead, NH
(US); **Roy B. Crane**, Wilmington, MA
(US)

(73) Assignee: **Koninklijke Philips Electronics N.V.**,
Eindhoven (NL)

(**) Term: **14 Years**

(21) Appl. No.: **29/321,554**

(22) Filed: **Jul. 18, 2008**

(51) **LOC (9) Cl.** **26-05**

(52) **U.S. Cl.** **D26/74; D26/120**

(58) **Field of Classification Search** D26/72,
D26/74-79, 81, 85, 118, 120, 122-124, 139,
D26/142, 152-153; 362/145-148, 223, 235,
362/257, 260, 290, 294, 306-307, 317, 325,
362/330, 342, 364-365, 455-456; D25/52,
D25/56, 103; 52/222, 404.1, 474, 469, 568

See application file for complete search history.

(56) **References Cited**

U.S. PATENT DOCUMENTS

D118,749	S	*	1/1940	Zimmerman	D26/120
2,282,170	A	*	5/1942	Cunnington	428/163
3,330,080	A	*	7/1967	Grieb et al.	52/86
3,780,286	A	*	12/1973	Alexieff et al.	362/235
4,193,239	A	*	3/1980	Barto	52/222
D286,206	S	*	10/1986	Joosten et al.	D26/85
5,373,428	A	*	12/1994	Day	362/223
D362,081	S	*	9/1995	Bilbrey	D26/120

D399,588	S	*	10/1998	St. Ives	D26/76
D413,402	S	*	8/1999	Ranieri et al.	D26/74
5,988,829	A	*	11/1999	Holder	362/217
D461,924	S	*	8/2002	Chelf	D26/76
D469,910	S	*	2/2003	St-Pierre	D26/85
D477,105	S	*	7/2003	Herst et al.	D26/76
D496,121	S	*	9/2004	Santoro	D26/74
D514,731	S	*	2/2006	Engel	D26/88
D514,738	S	*	2/2006	Wachter	D26/142
D541,467	S	*	4/2007	Gould	D26/120
D545,481	S	*	6/2007	Mayfield et al.	D26/118
D545,483	S	*	6/2007	Mayfield et al.	D26/118
D552,783	S	*	10/2007	Brunner	D26/85
D561,383	S	*	2/2008	Hukle et al.	D26/120
D561,930	S	*	2/2008	Hukle et al.	D26/120
2006/0285340	A1	*	12/2006	Thornton, Jr.	362/455

* cited by examiner

Primary Examiner—Robert M Spear

Assistant Examiner—Susan E Krakower

(74) *Attorney, Agent, or Firm*—John F. Salazar; Middleton & Reutlinger

(57) **CLAIM**

The ornamental design for a luminaire, as shown and described.

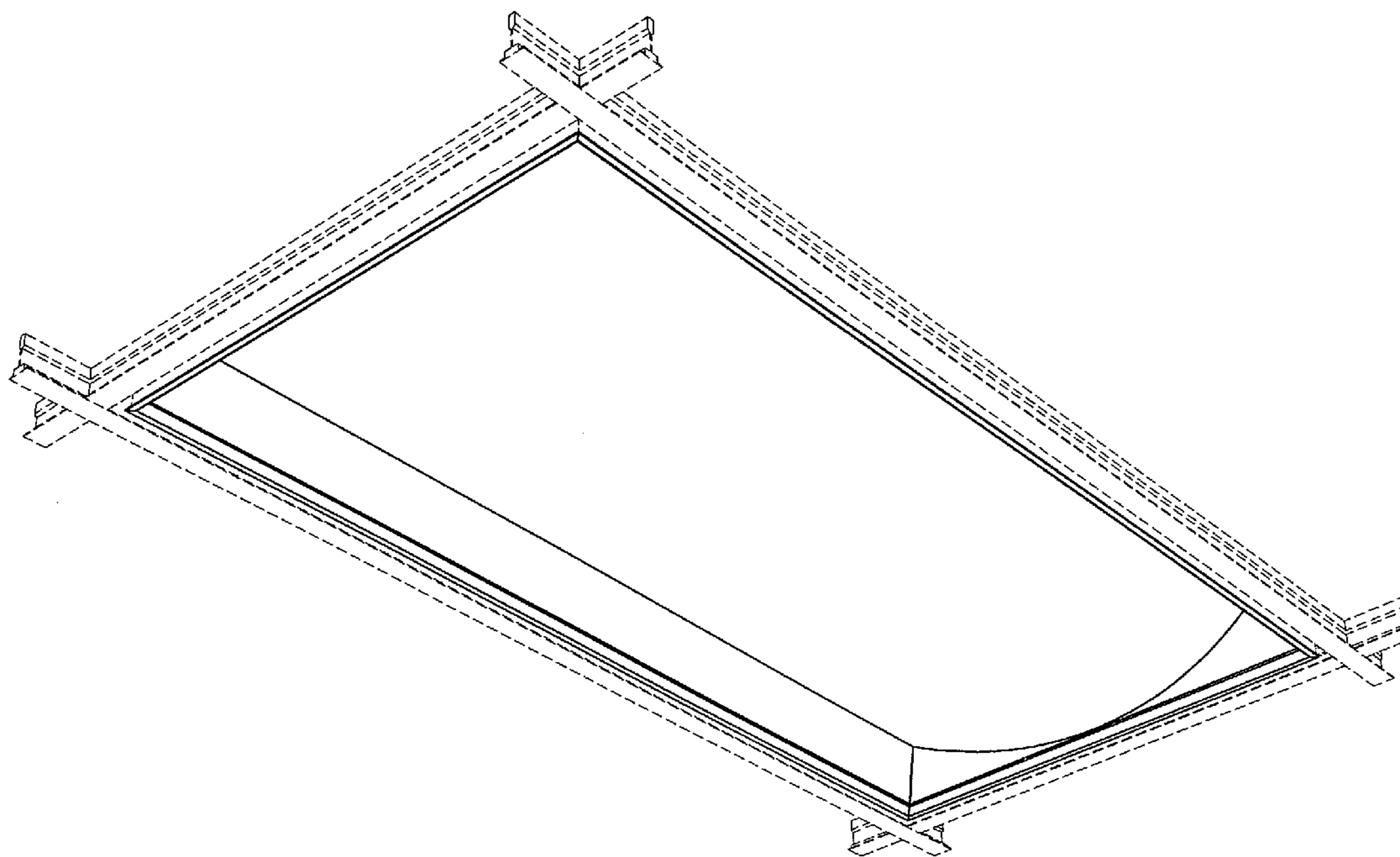
DESCRIPTION

FIG. 1 is a lower perspective view of a luminaire showing the design of the present invention; and,

FIG. 2 is a bottom view thereof.

The broken lines illustrate portions of the luminaire which form no part of the claimed design.

1 Claim, 2 Drawing Sheets



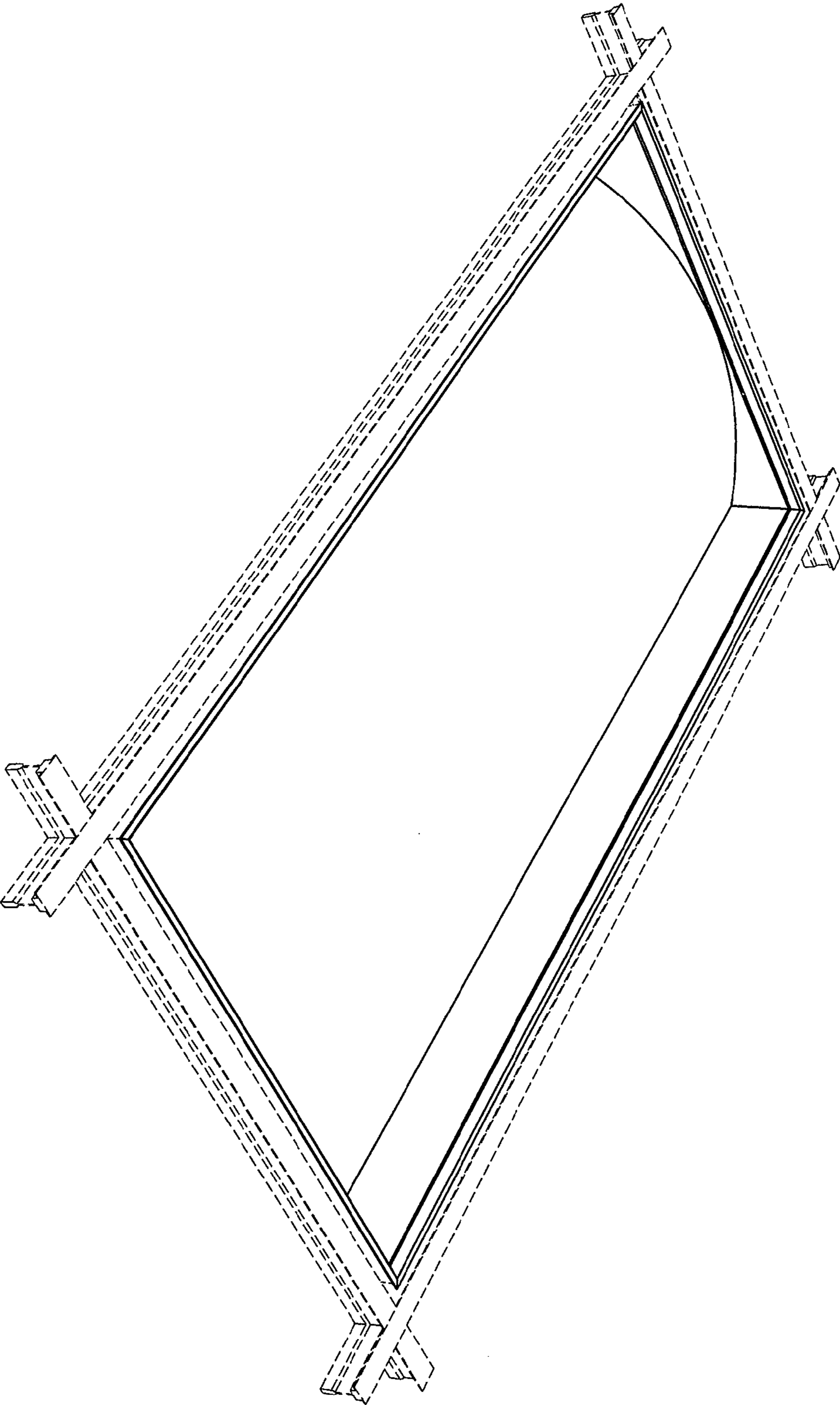


FIG. 1

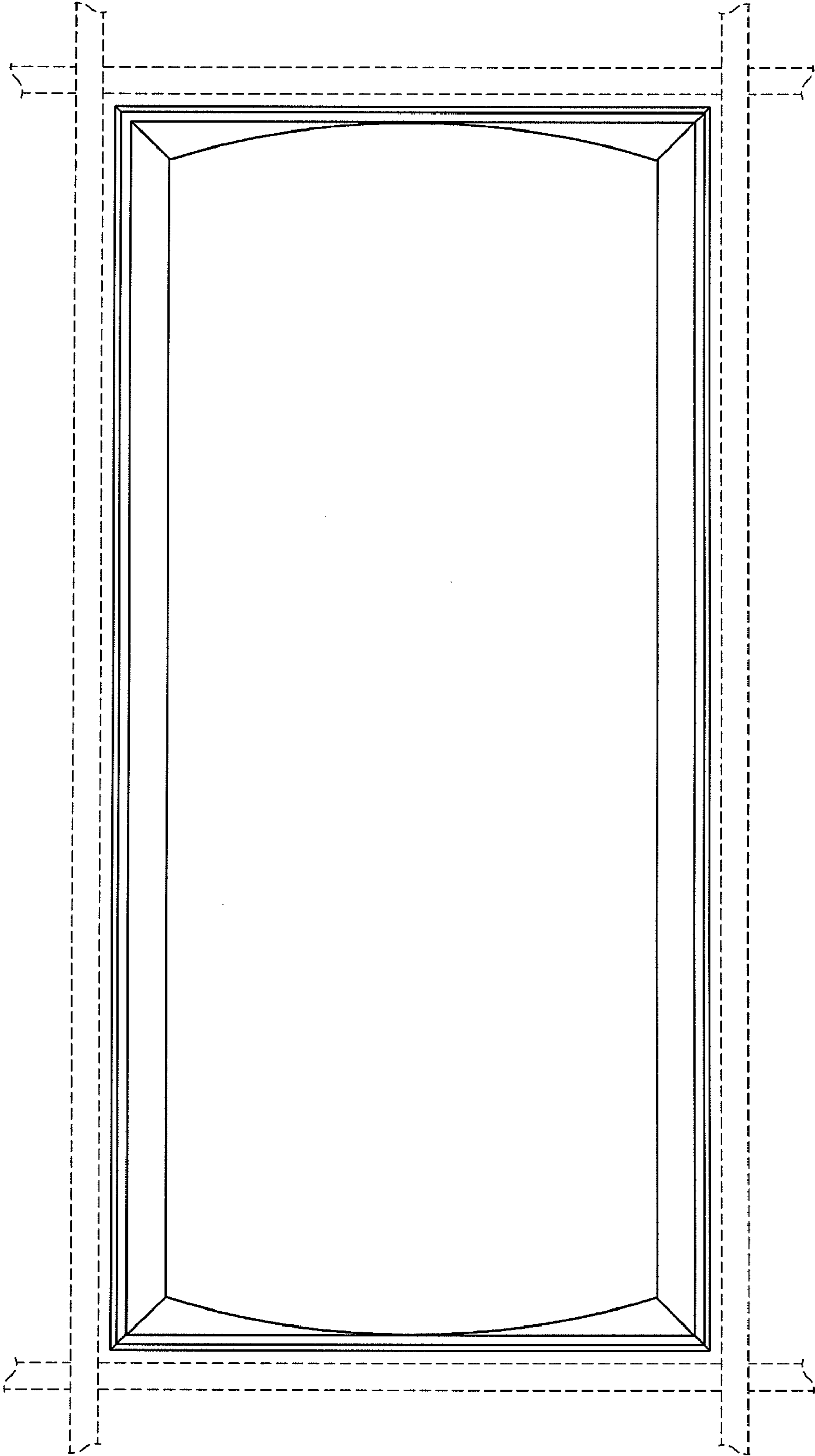


FIG. 2