



US00D602185S

(12) **United States Design Patent**  
**Chang**

(10) **Patent No.:** **US D602,185 S**

(45) **Date of Patent:** **\*\* Oct. 13, 2009**

(54) **CLIP-ON HEAD-MOUNTED LED LIGHT FOR MEDICAL AND DENTAL PROFESSIONALS**

D560,298 S \* 1/2008 Spartano et al. .... D26/39  
D576,327 S \* 9/2008 Kingston et al. .... D26/39

(75) Inventor: **Byung J. Chang**, Ann Arbor, MI (US)

\* cited by examiner

(73) Assignee: **General Scientific Corporation**, Ann Arbor, MI (US)

*Primary Examiner*—Ian Simmons

*Assistant Examiner*—Carissa C Fitts

(74) *Attorney, Agent, or Firm*—Gifford, Krass, Sprinkle, Anderson & Citkowski, P.C.

(\*\*) Term: **14 Years**

(21) Appl. No.: **29/320,278**

(57) **CLAIM**

(22) Filed: **Jun. 24, 2008**

The ornamental design for a clip-on head-mounted LED light for medical and dental professionals, as shown and described.

(51) **LOC (9) Cl.** ..... **26-02**

(52) **U.S. Cl.** ..... **D26/36**

(58) **Field of Classification Search** ..... D26/37,  
D26/39, 46; 362/105–109, 158, 157, 183,  
362/195, 196, 200–208

**DESCRIPTION**

See application file for complete search history.

FIG. 1 is an oblique view of the present invention, the broken lines shown are for illustrative purposes and form no part of the claimed design;

FIG. 2 is a side view of the present invention, the broken lines shown are for illustrative purposes and form no part of the claimed design;

(56) **References Cited**

U.S. PATENT DOCUMENTS

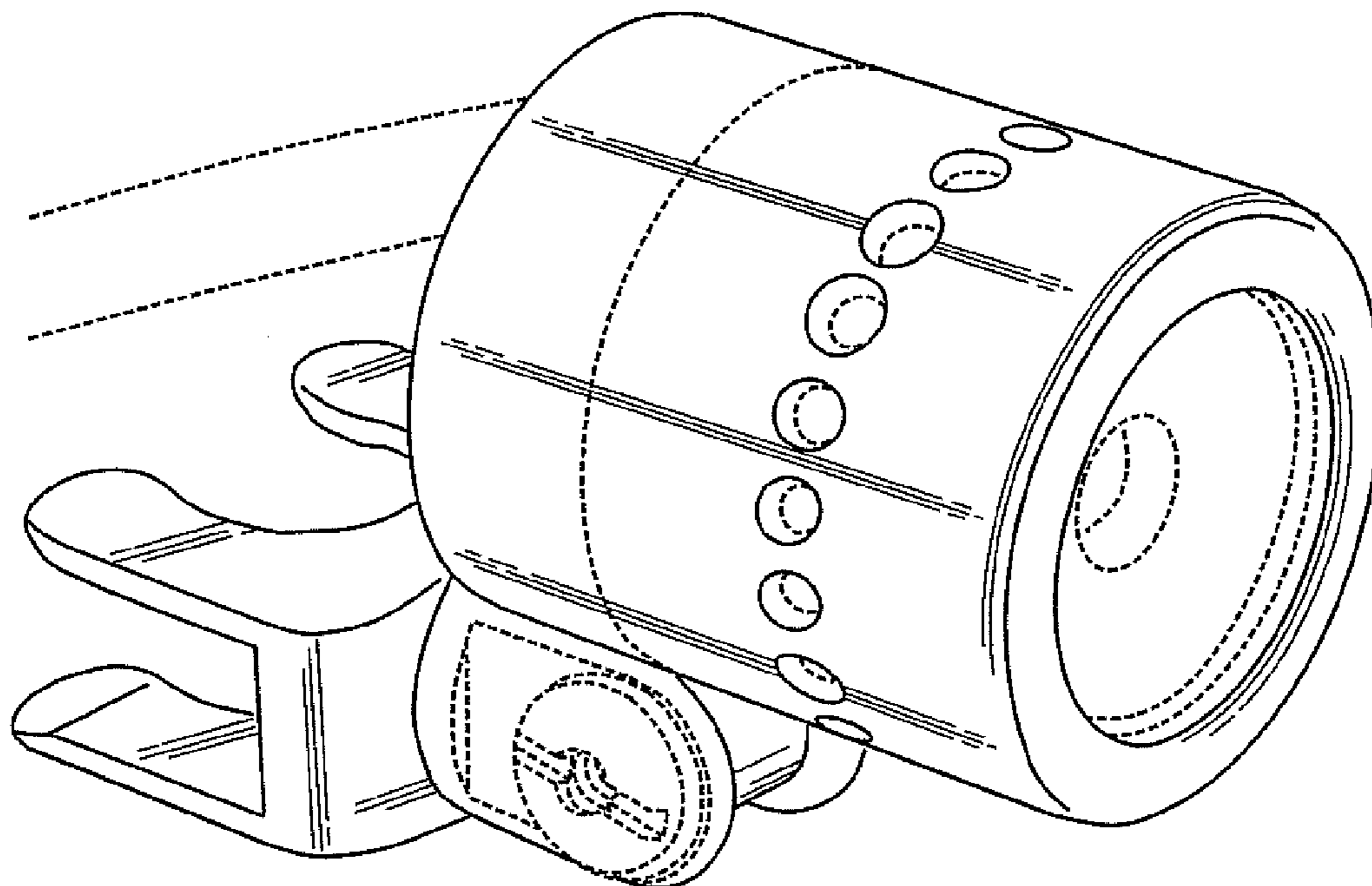
D405,202 S *	2/1999	Fattori et al. ....	D26/39
D405,901 S *	2/1999	Feinbloom et al. ....	D26/39
D447,587 S *	9/2001	Poon .....	D26/39
D508,140 S *	8/2005	Sharrah .....	D26/39
D518,209 S *	3/2006	Nagano et al. ....	D26/39
D518,210 S *	3/2006	Nagano et al. ....	D26/39
D529,213 S *	9/2006	Shiu .....	D26/39
D547,892 S *	7/2007	Miyamoto et al. ....	D26/44
D552,775 S *	10/2007	Shiu .....	D26/39
D553,270 S *	10/2007	Xu .....	D26/28
D557,843 S *	12/2007	Hillard .....	D26/39

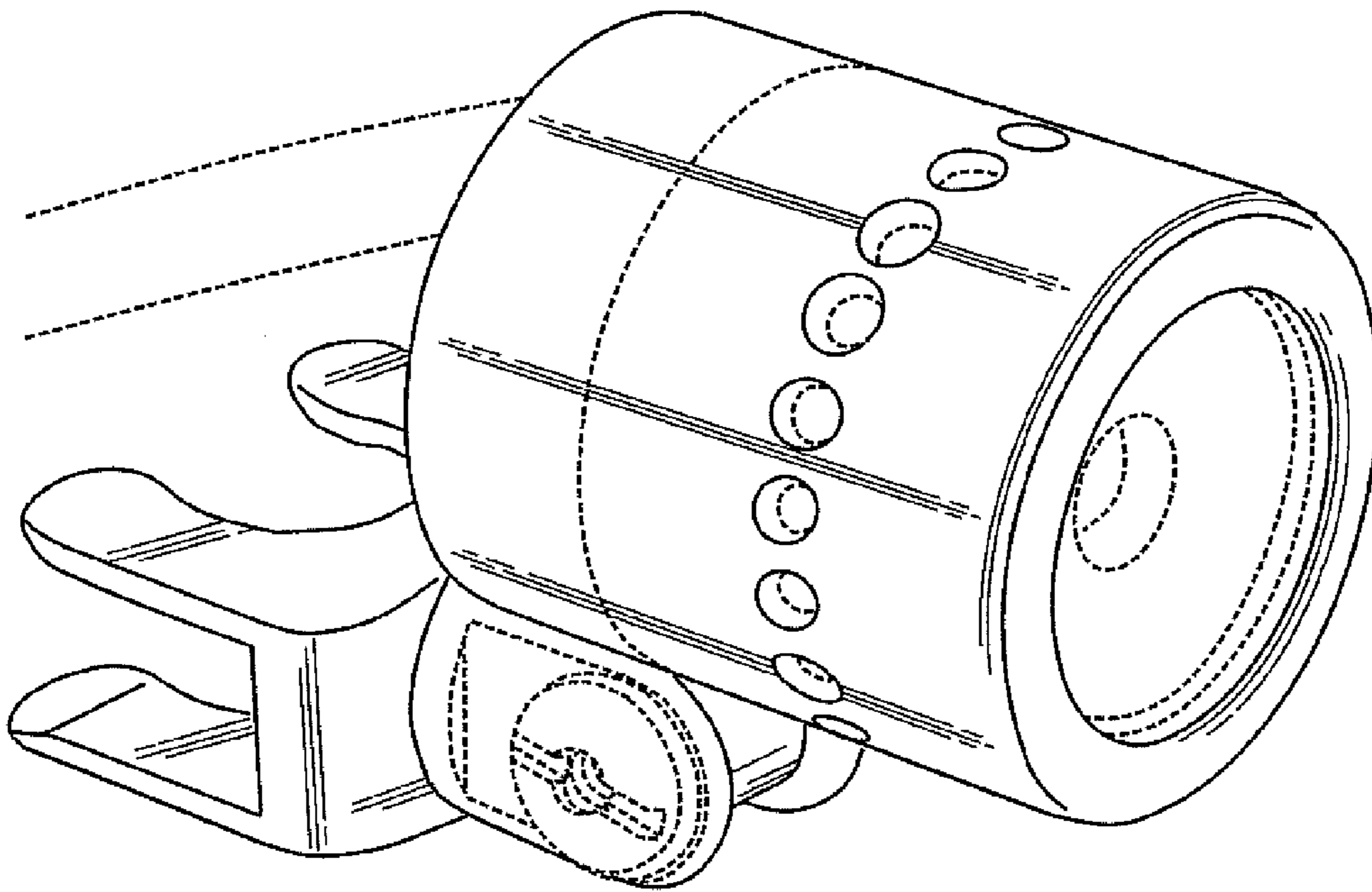
FIG. 3 is a front view of the present invention, the broken lines shown are for illustrative purposes and form no part of the claimed design;

FIG. 4 is a back view of the present invention, the broken lines shown are for illustrative purposes and form no part of the claimed design; and,

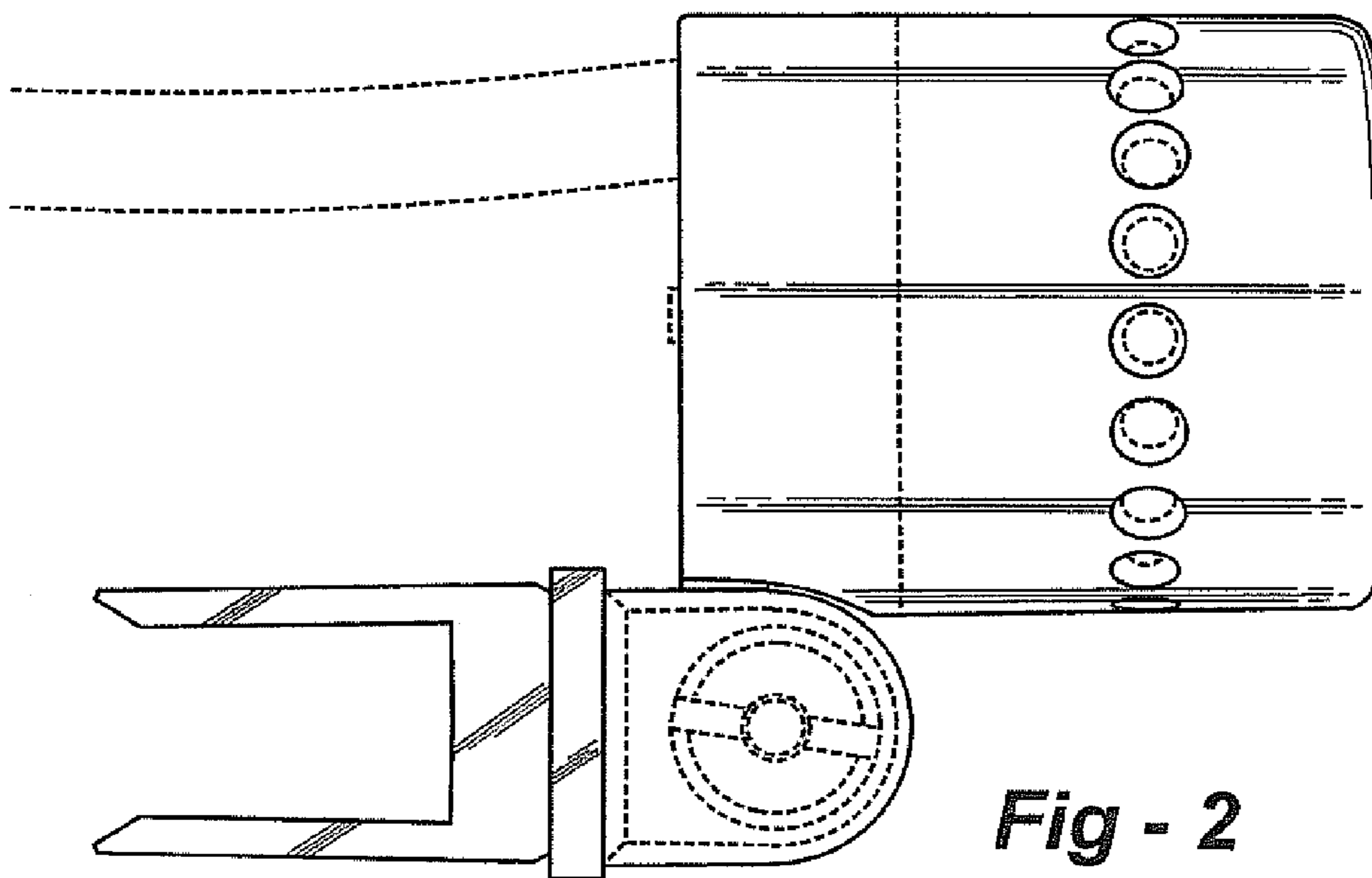
FIG. 5 is a bottom view of the present invention, the broken lines shown are for illustrative purposes and form no part of the claimed design.

**1 Claim, 2 Drawing Sheets**

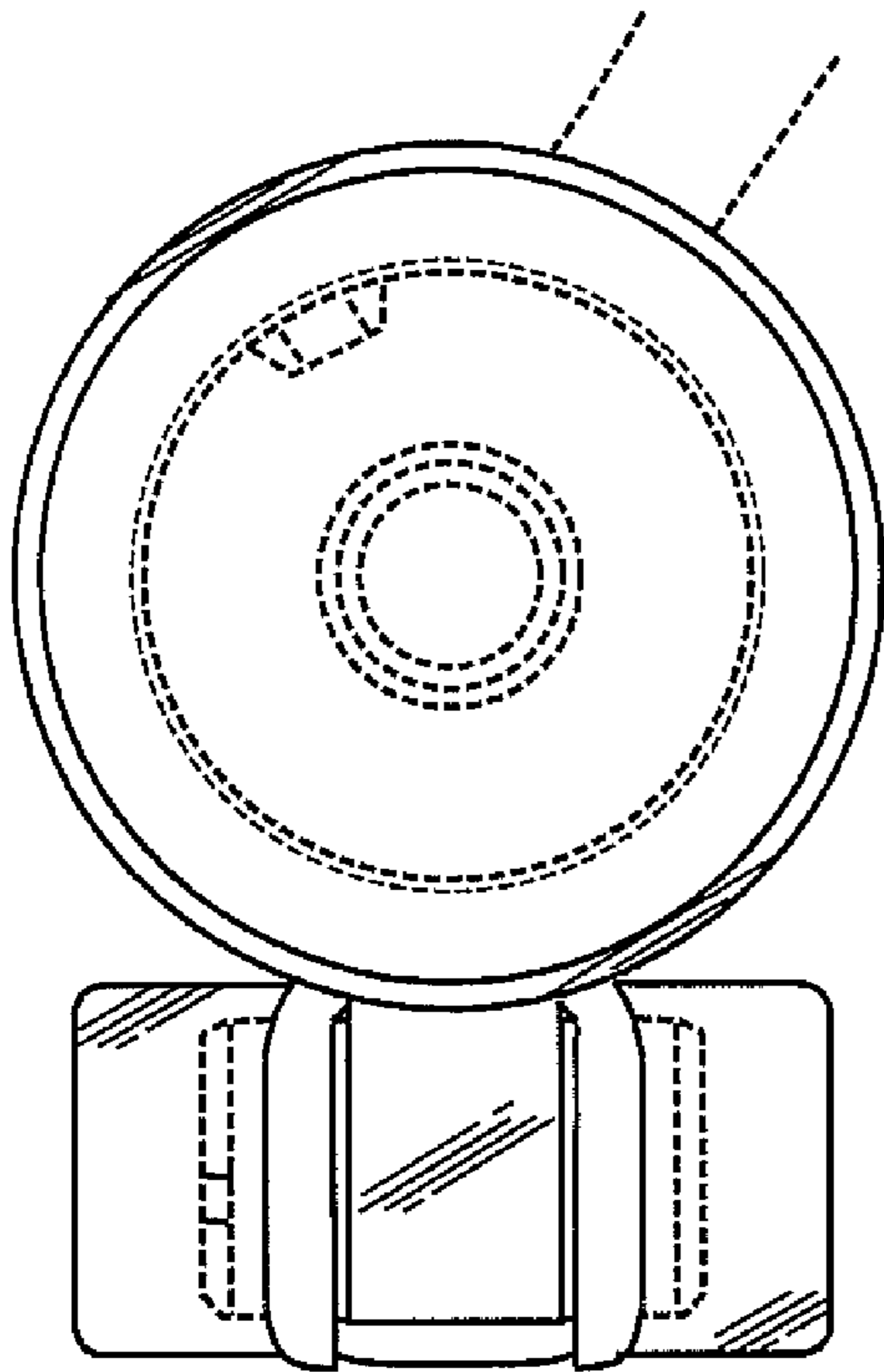




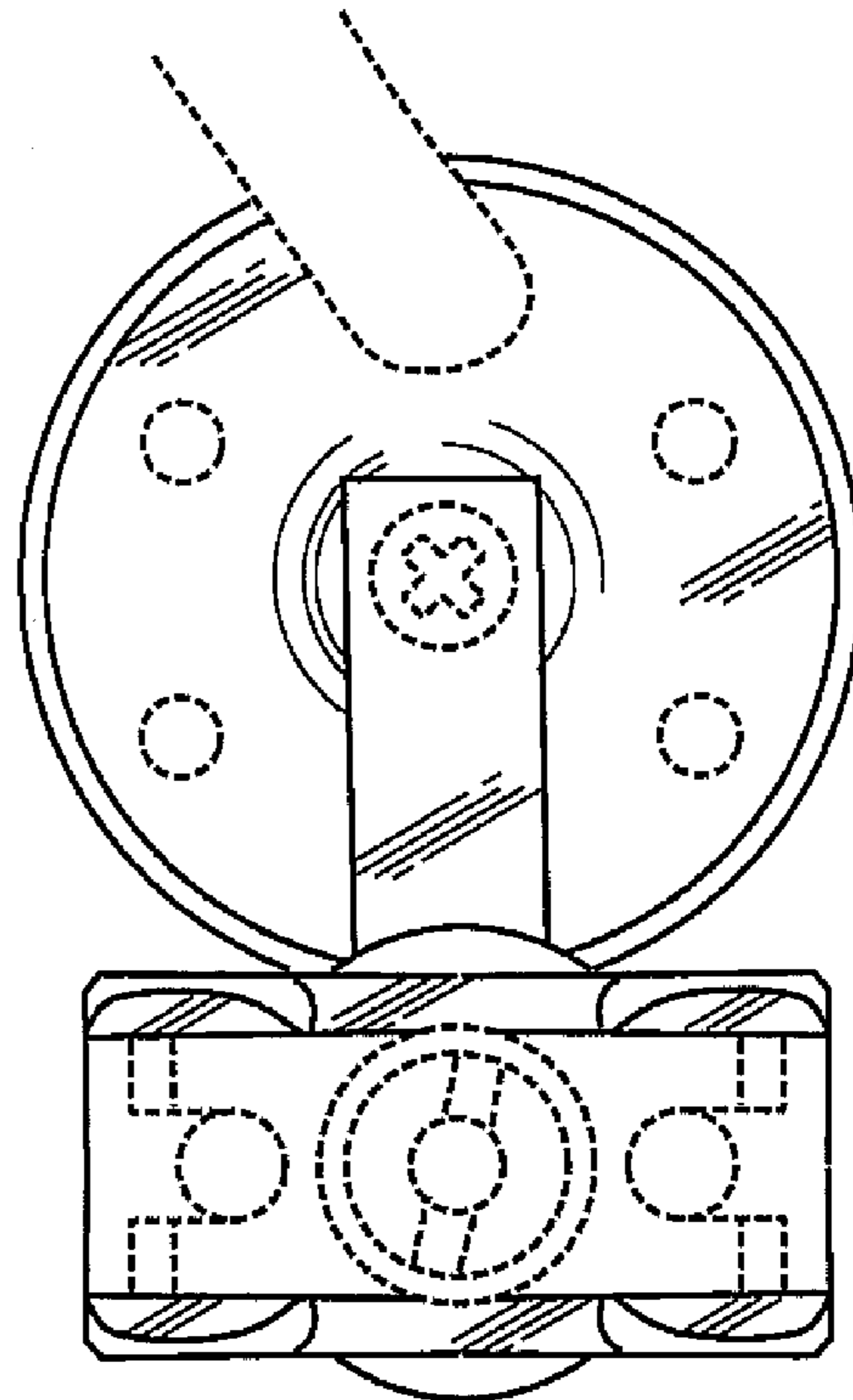
**Fig - 1**



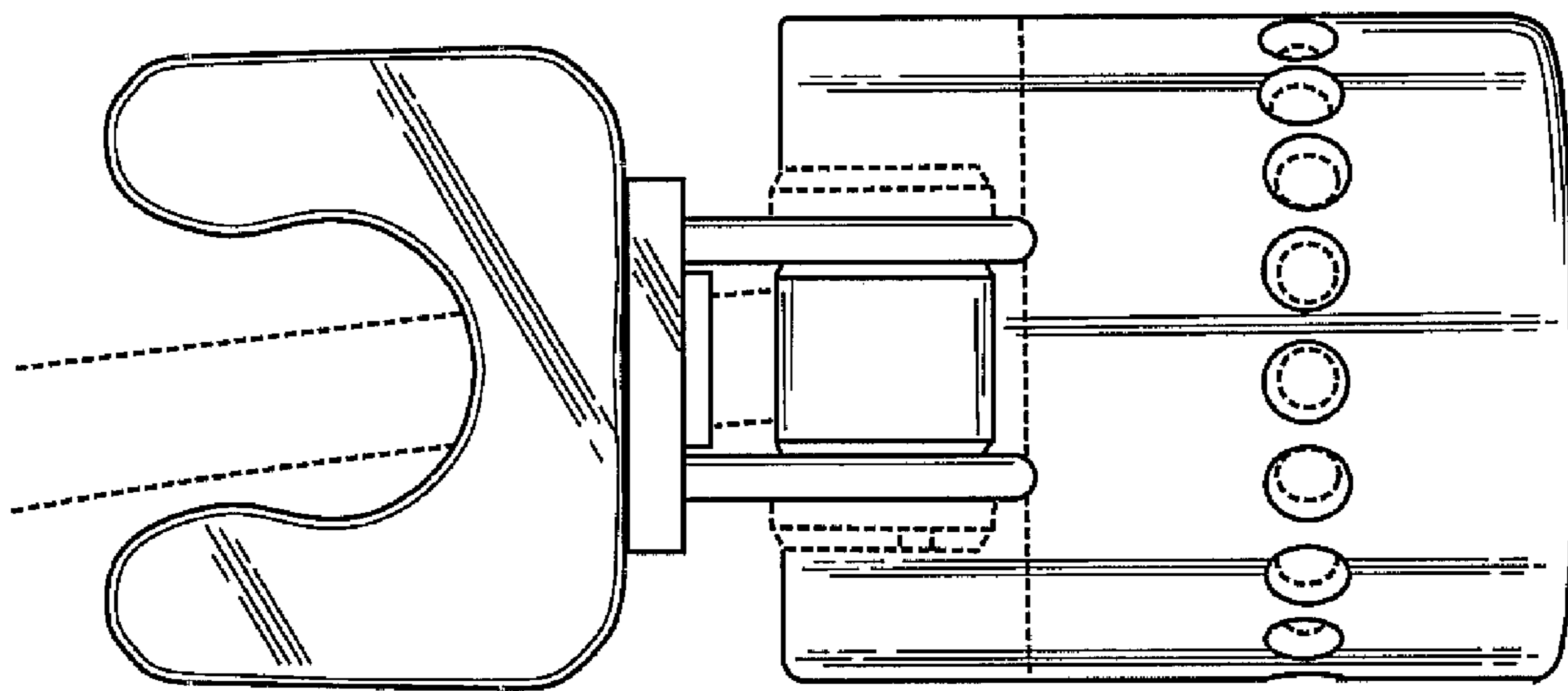
**Fig - 2**



**Fig - 3**



**Fig - 4**



**Fig - 5**