

US00D602178S

(12) **United States Design Patent**  
**Foo**

(10) **Patent No.:** **US D602,178 S**

(45) **Date of Patent:** **\*\* Oct. 13, 2009**

(54) **LAMP**

D532,532 S \* 11/2006 Maxik ..... D26/2

D581,555 S \* 11/2008 To et al. .... D26/2

D586,484 S \* 2/2009 Liu et al. .... D26/2

(75) Inventor: **Onn Fah Foo**, Hong Kong (CN)

(73) Assignee: **Mass Technology (H.K.) Ltd.**, Kowloon (HK)

\* cited by examiner

*Primary Examiner*—Marcus A. Jackson

(74) *Attorney, Agent, or Firm*—Kevin J. McNeely

(\*\*) Term: **14 Years**

(21) Appl. No.: **29/333,331**

(57) **CLAIM**

(22) Filed: **Mar. 6, 2009**

The ornamental design for a lamp, as shown.

(30) **Foreign Application Priority Data**

**DESCRIPTION**

Jan. 15, 2009 (HK) ..... 0900081

The invention relates to a lamp for illumination.

(51) **LOC (9) Cl.** ..... **26-04**

FIG. 1 is a front view of the lamp, showing the new design;

(52) **U.S. Cl.** ..... **D26/2**

FIG. 2 is a rear view of the lamp;

(58) **Field of Classification Search** ..... D26/1-4;  
313/313, 315, 317, 318, 493; 315/52, 53,  
315/56, 57, 58

FIG. 3 is a left side view of the lamp;

FIG. 4 is a right side view of the lamp;

See application file for complete search history.

FIG. 5 is a top view of the lamp;

FIG. 6 is a bottom view of the lamp; and,

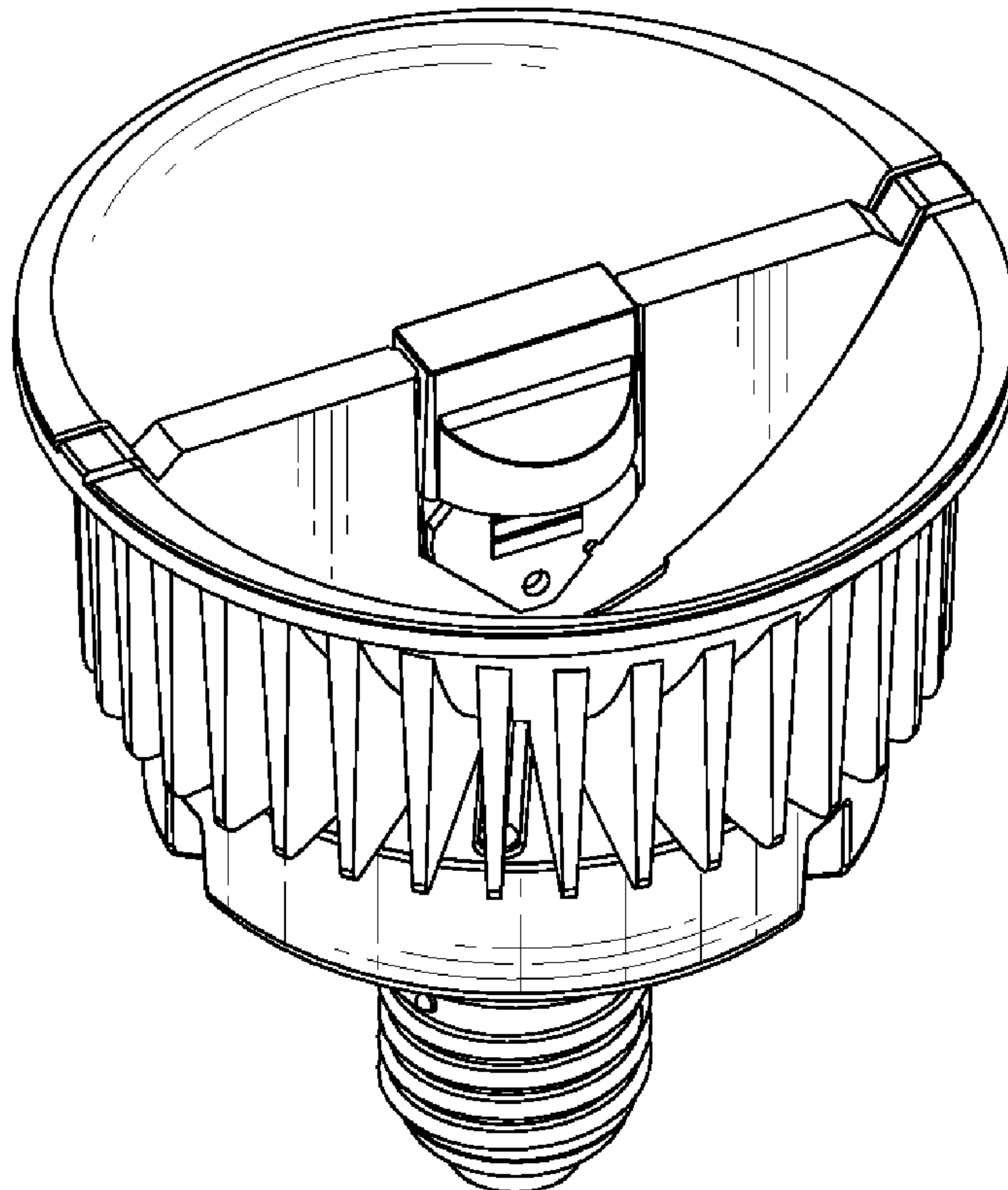
(56) **References Cited**

FIG. 7 is top perspective view of the lamp.

**U.S. PATENT DOCUMENTS**

D435,577 S \* 12/2000 McBride ..... D16/203

**1 Claim, 3 Drawing Sheets**



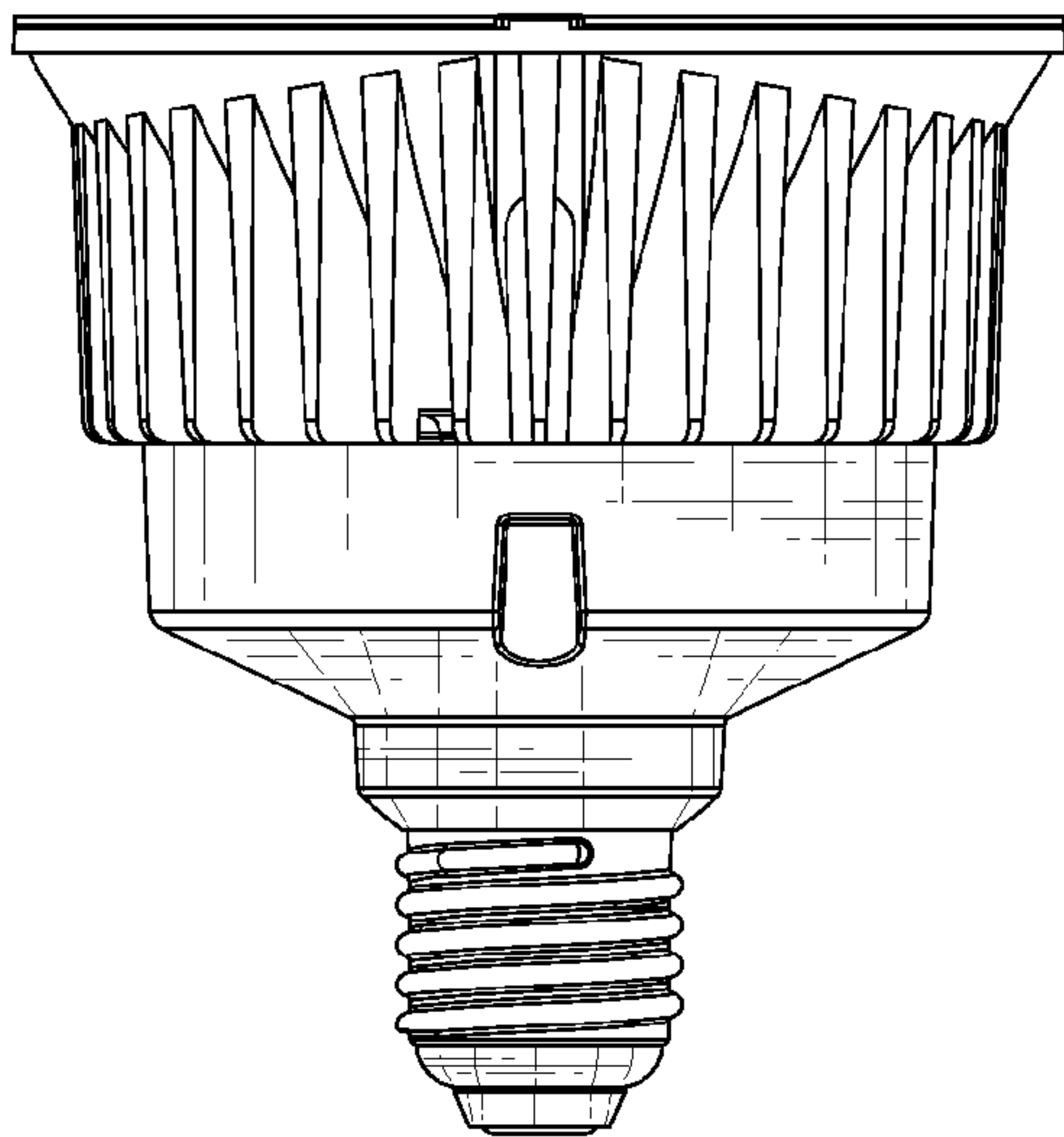


Fig. 1

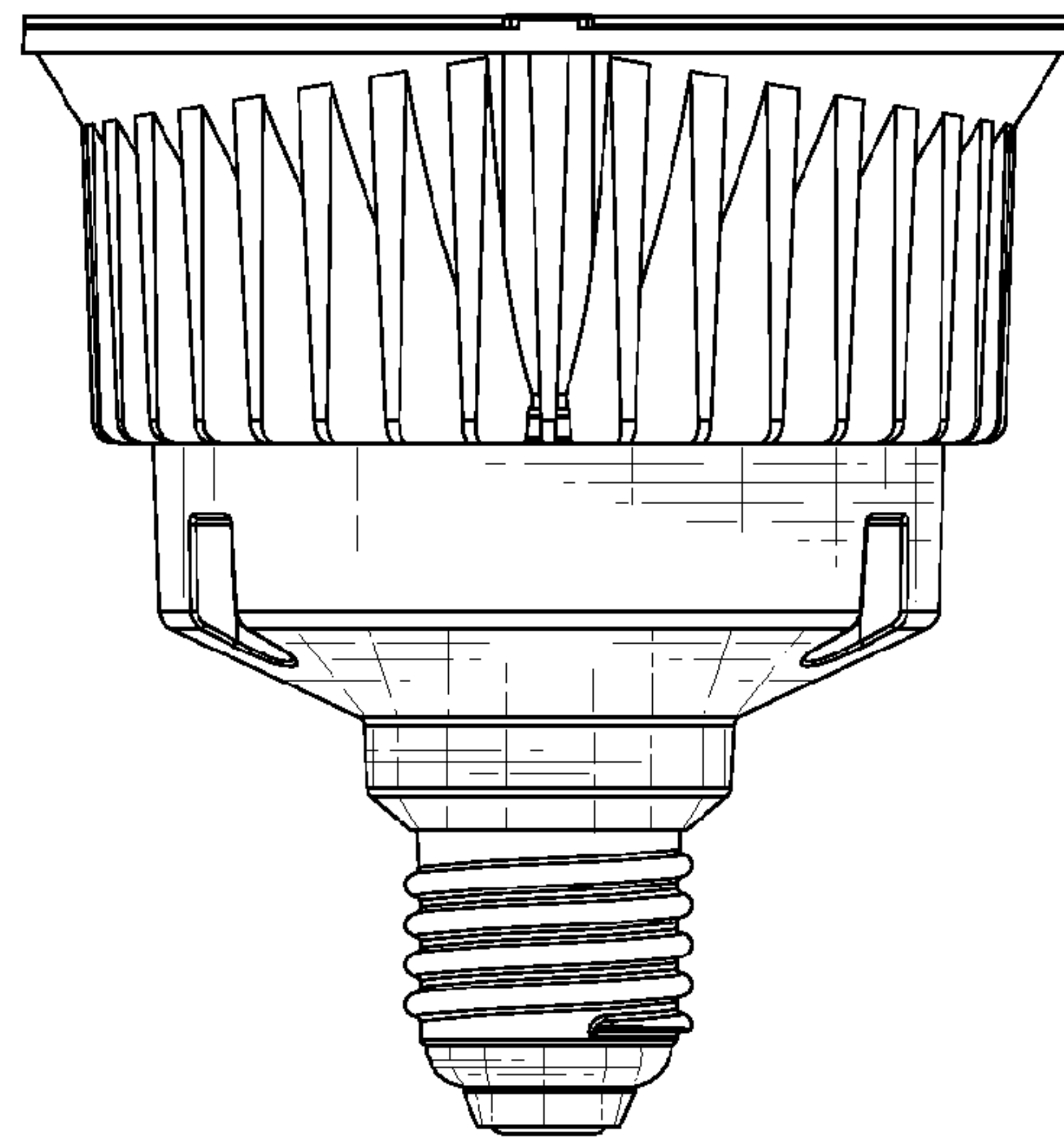


Fig. 2

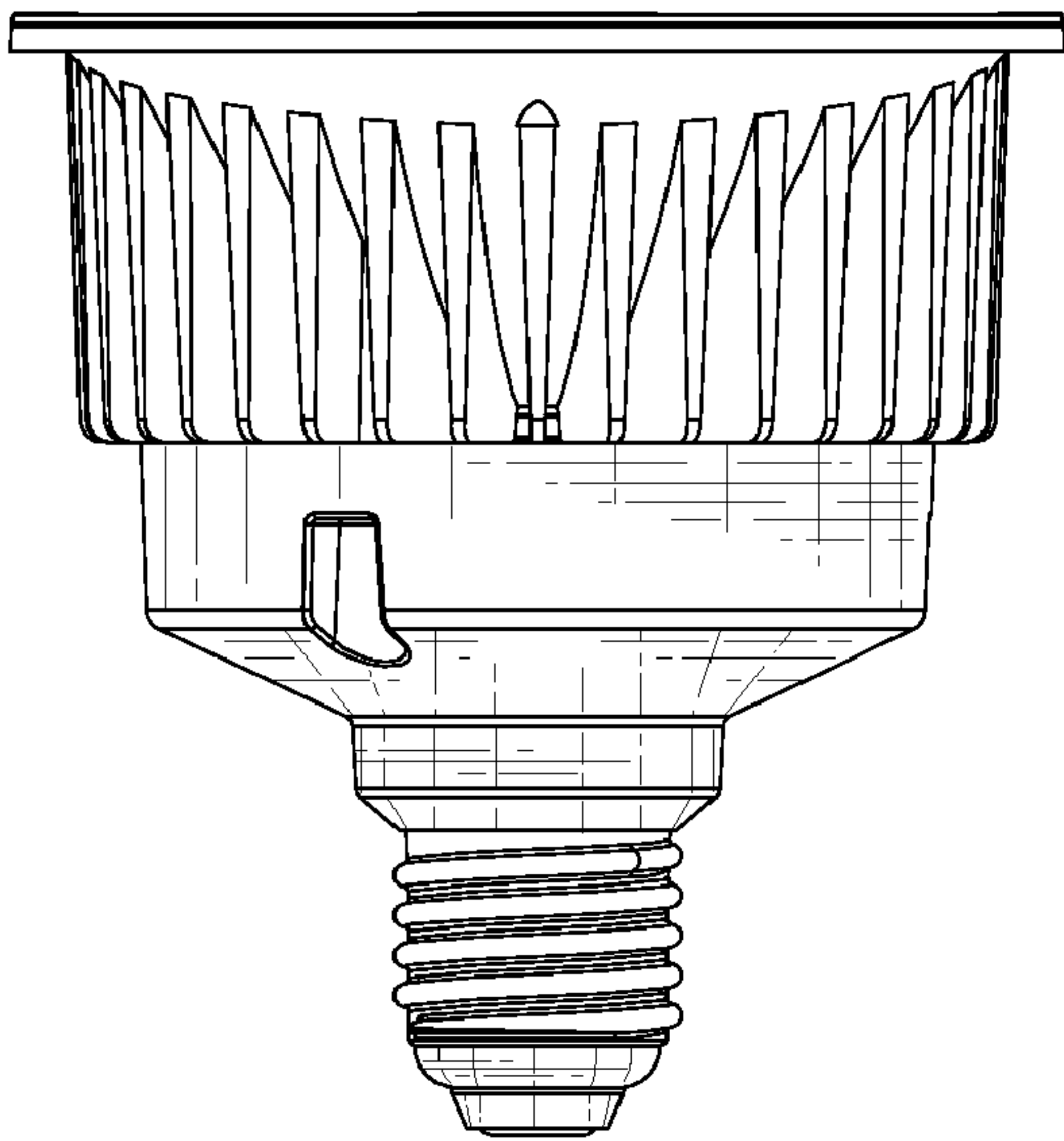


Fig. 3

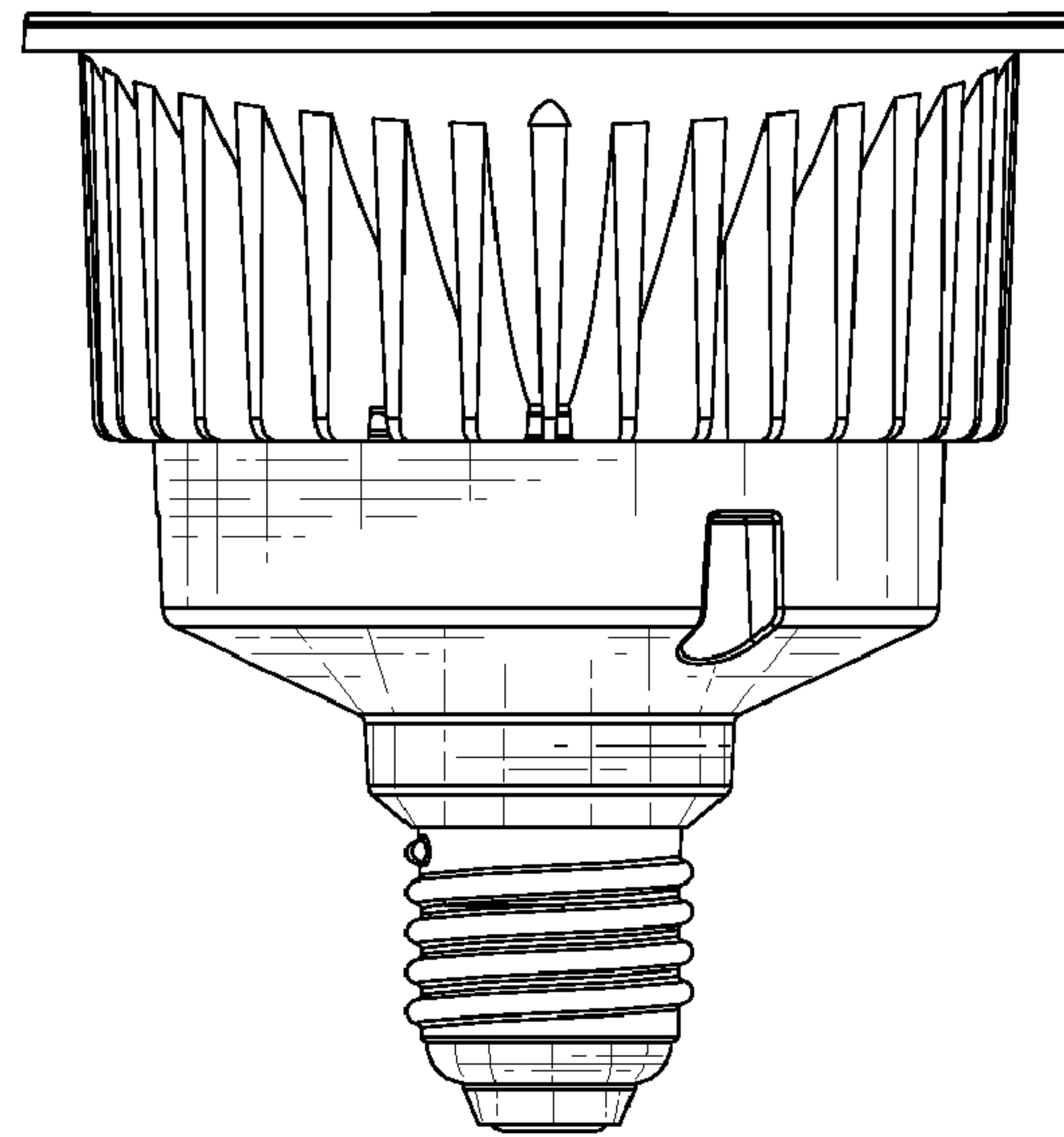


Fig. 4

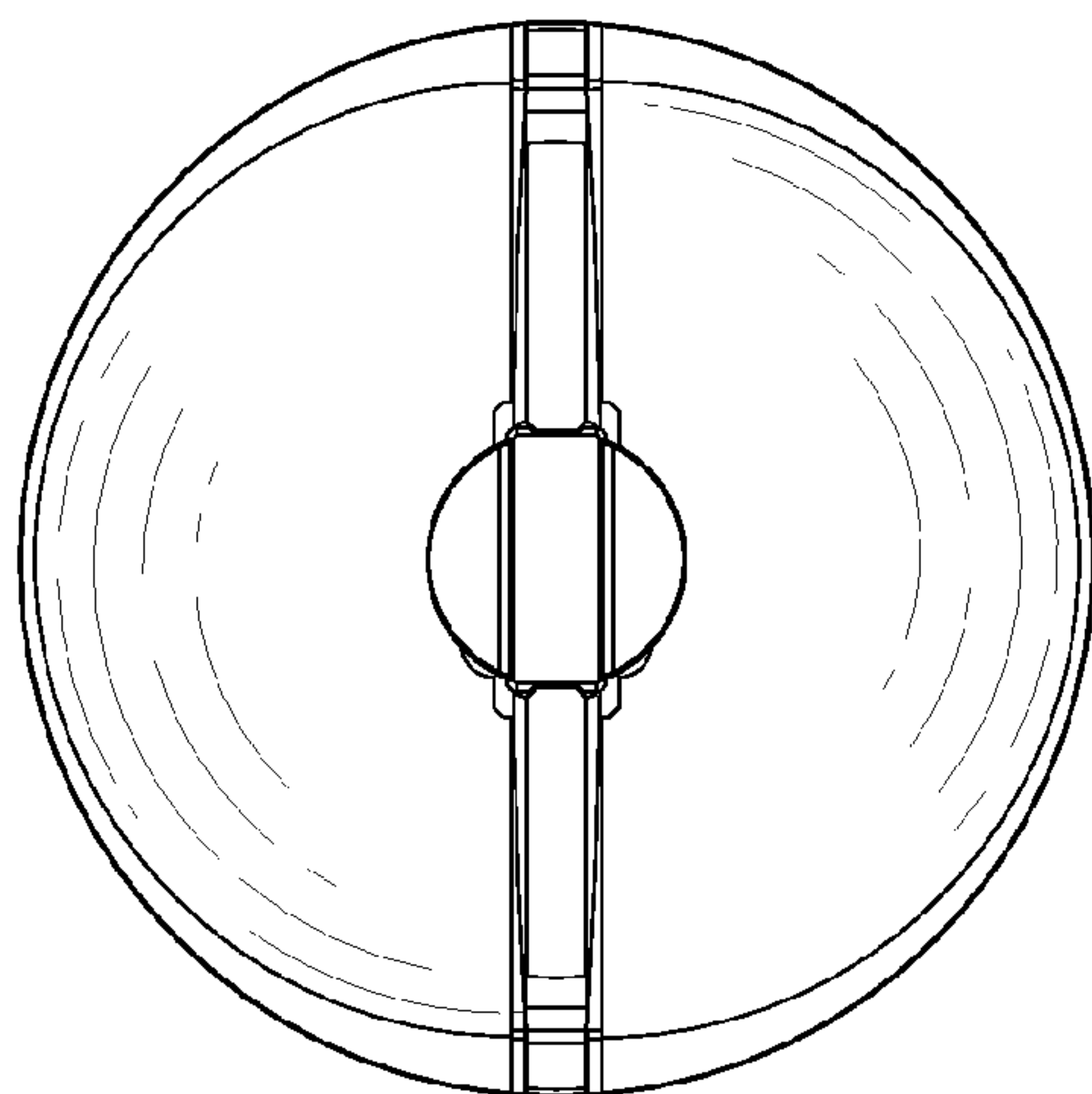


Fig. 5

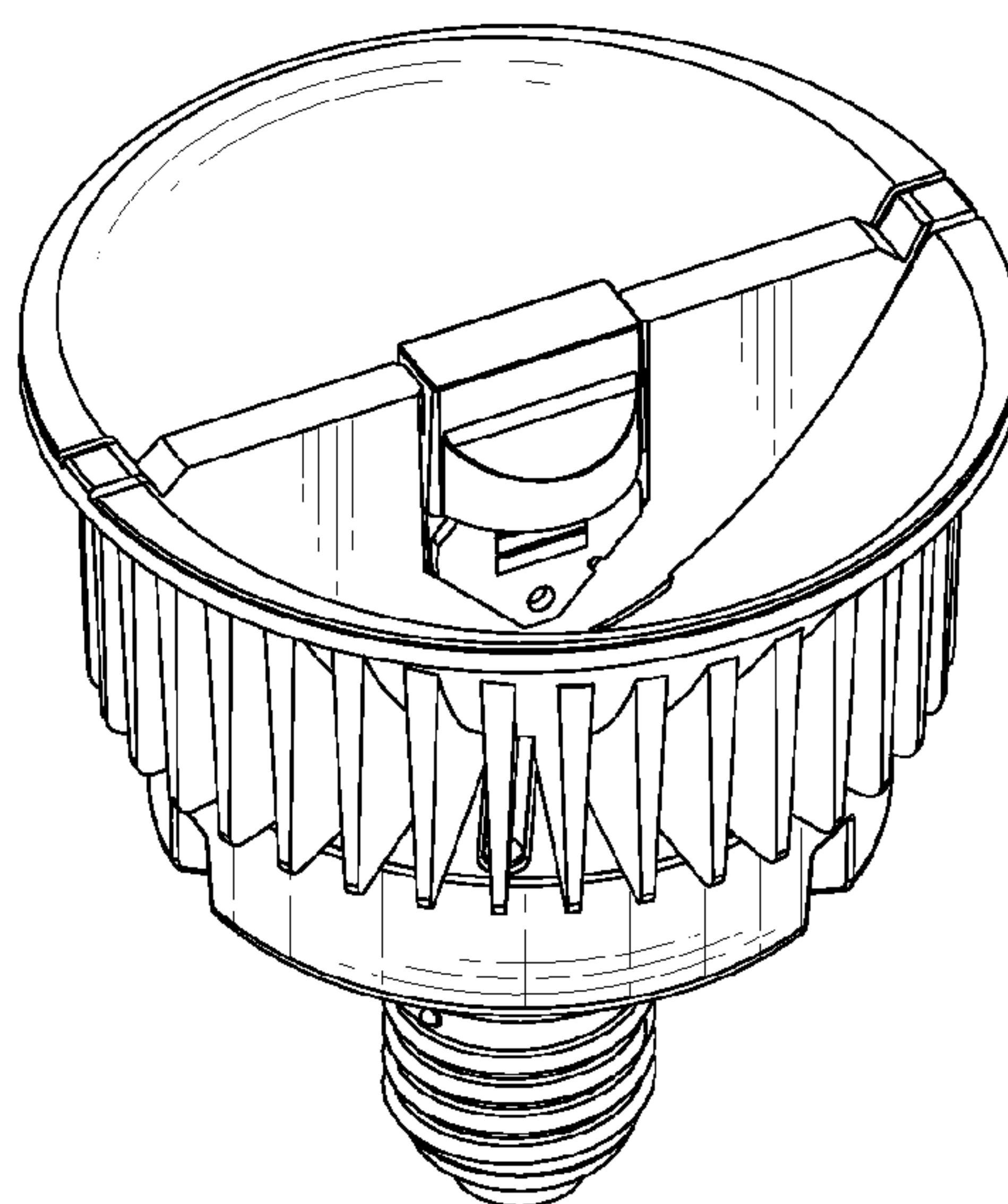


Fig. 7

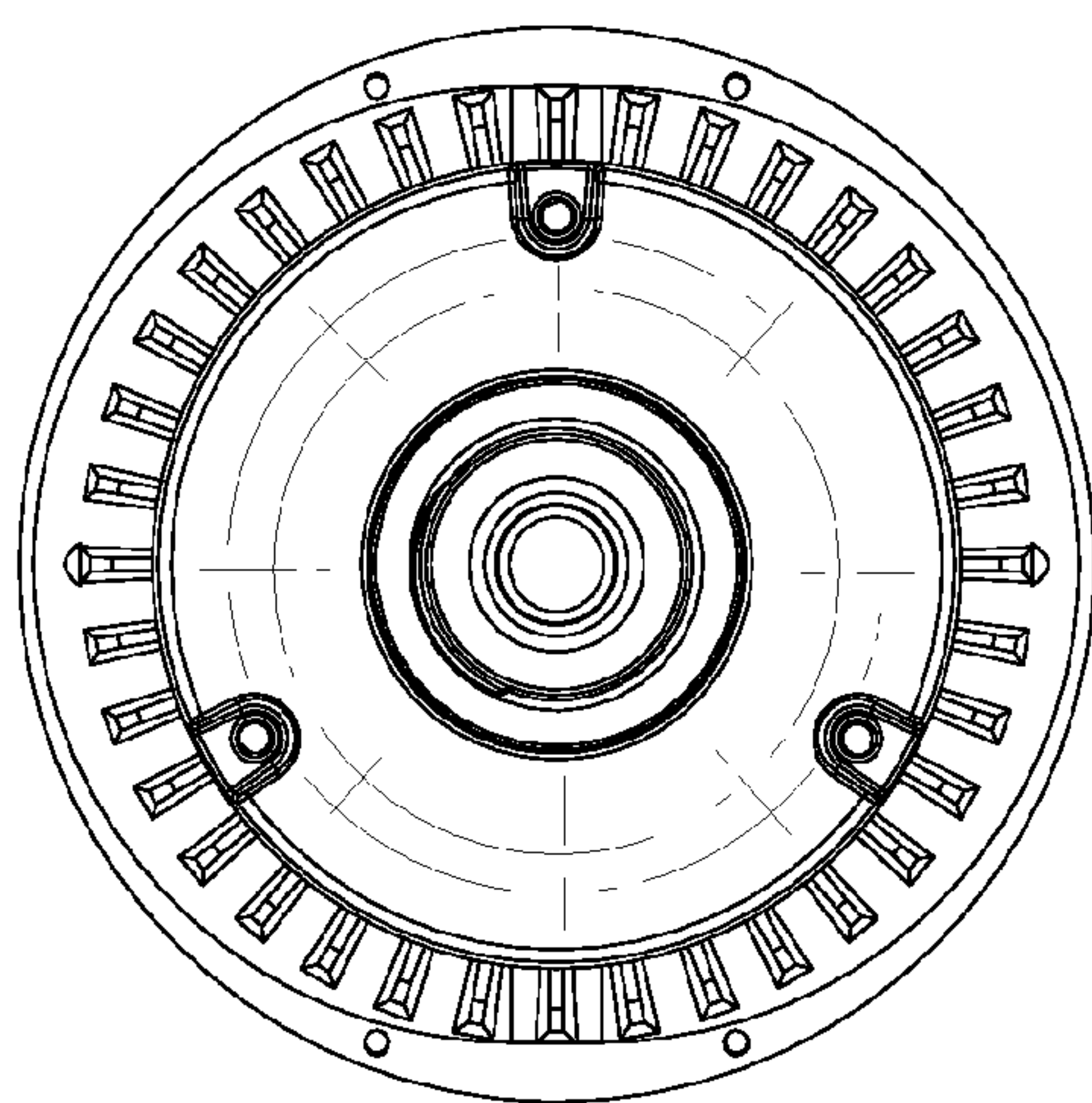


Fig. 6