



US00D602175S

(12) **United States Design Patent**
Droomer

(10) **Patent No.:** **US D602,175 S**

(45) **Date of Patent:** **** Oct. 13, 2009**

(54) **COLUMN SUPPORT**

(76) **Inventor:** **Jack McKenzie Droomer**, 185 Great Ocean Road, Angelsea, Victoria (AU) 3230

(**) **Term:** **14 Years**

(21) **Appl. No.:** **29/309,415**

(22) **Filed:** **Aug. 12, 2008**

(30) **Foreign Application Priority Data**

Feb. 12, 2008 (AU) 10615/2008

(51) **LOC (9) Cl.** **25-01**

(52) **U.S. Cl.** **D25/133**

(58) **Field of Classification Search** D25/131, D25/133; 256/65.14; 52/297, 274

See application file for complete search history.

(56) **References Cited**

U.S. PATENT DOCUMENTS

6,015,138 A * 1/2000 Kohlberger et al. 256/65.14
D470,952 S * 2/2003 Krause D25/133

6,578,827 B2 * 6/2003 McCracken 256/59
D547,463 S * 7/2007 Gross et al. D25/133
2006/0022189 A1 * 2/2006 Collins 256/65.14

* cited by examiner

Primary Examiner—Doris Clark

(74) *Attorney, Agent, or Firm*—Nixon & Vanderhye P.C.

(57) **CLAIM**

The ornamental design for a column support, as shown and described.

DESCRIPTION

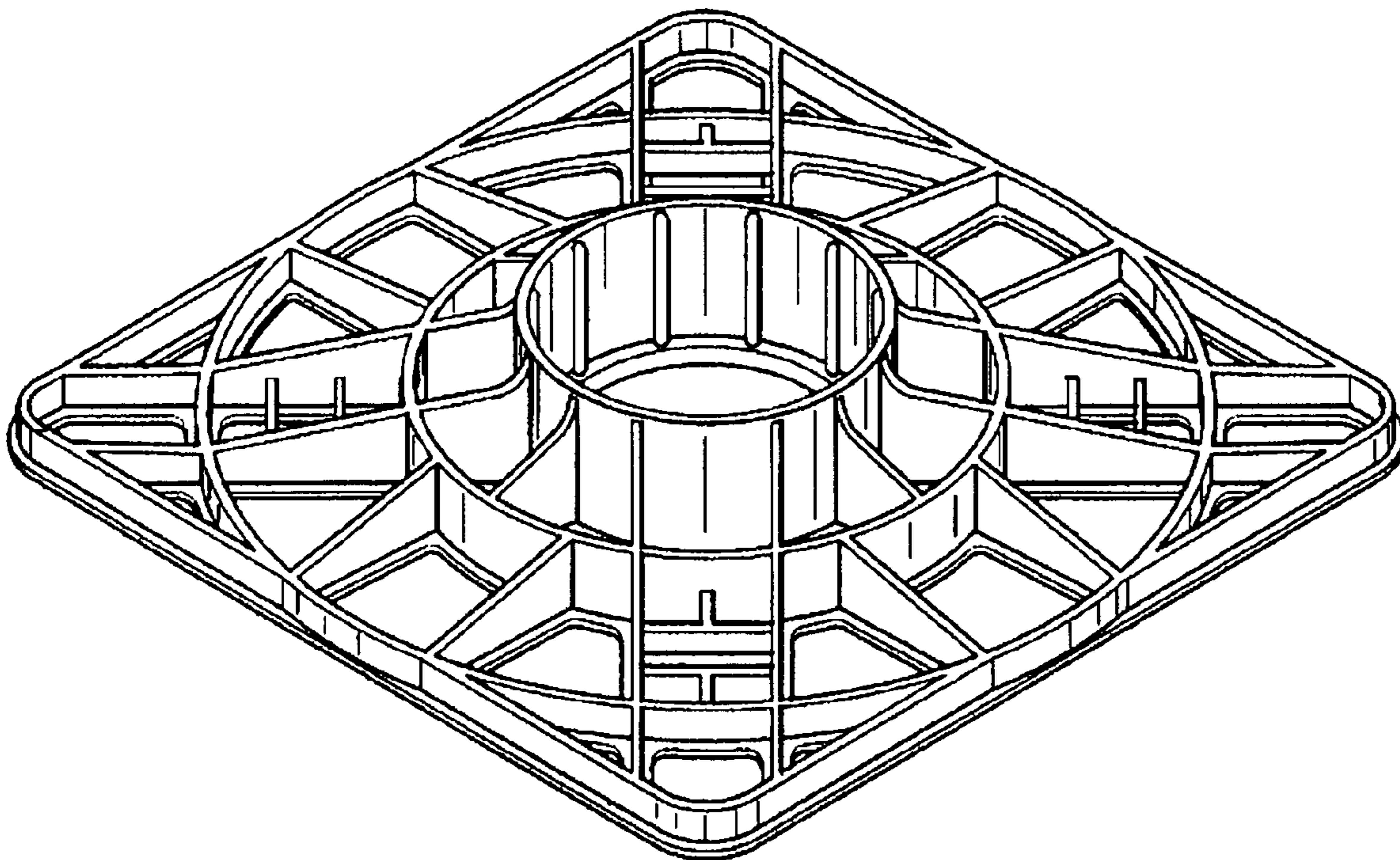
FIG. 1 is a perspective view of a column support according to my design;

FIG. 2 is a plan view thereof; and,

FIG. 3 is a side view thereof.

Throughout the various figures of the drawings, certain views may not be provided. The omission of a particular view is intended to convey that the element(s) depicted is/are plain and unornamented in that omitted view, or that the particular ornamental appearance in that view is simply not claimed.

1 Claim, 2 Drawing Sheets



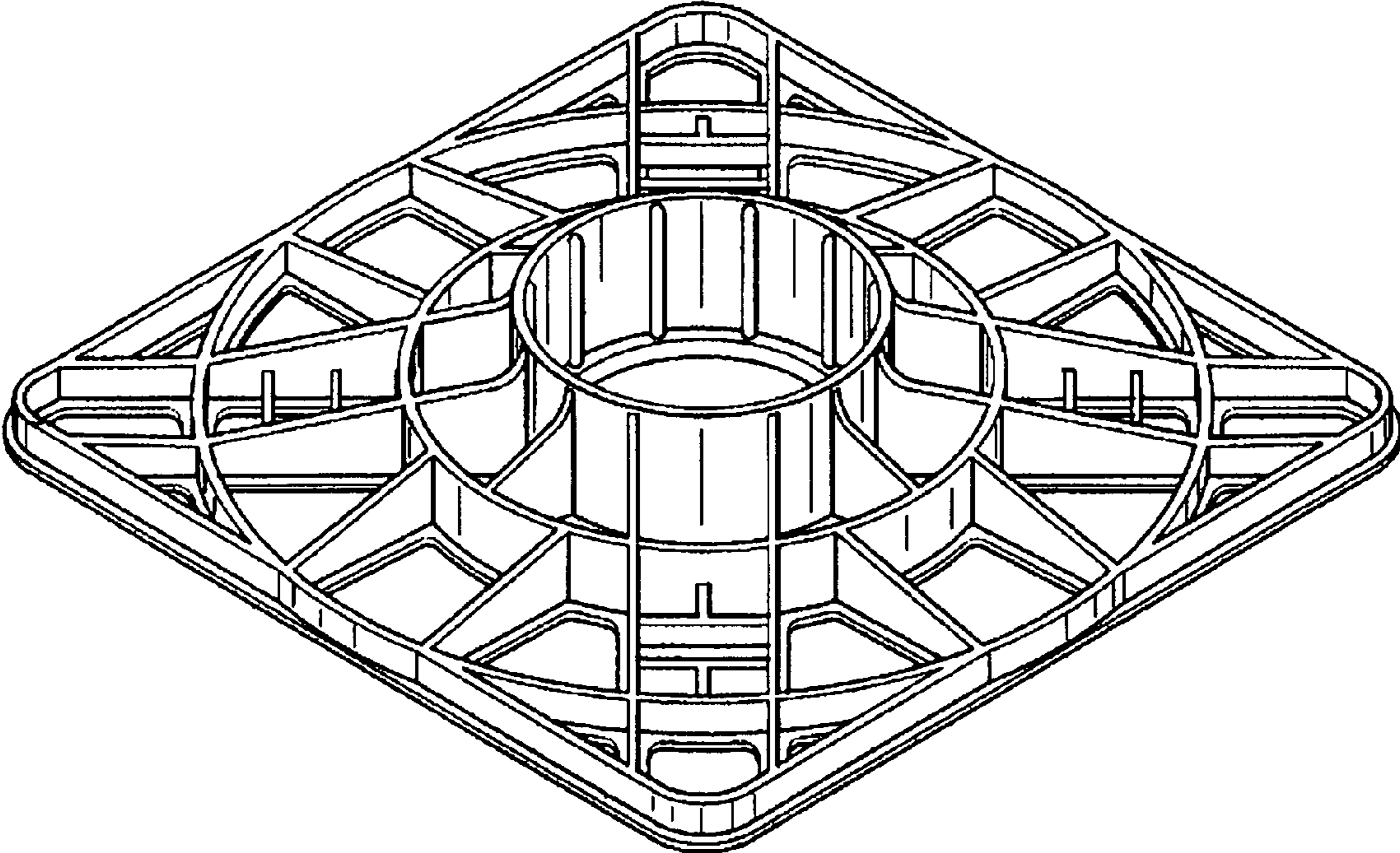


FIGURE 1

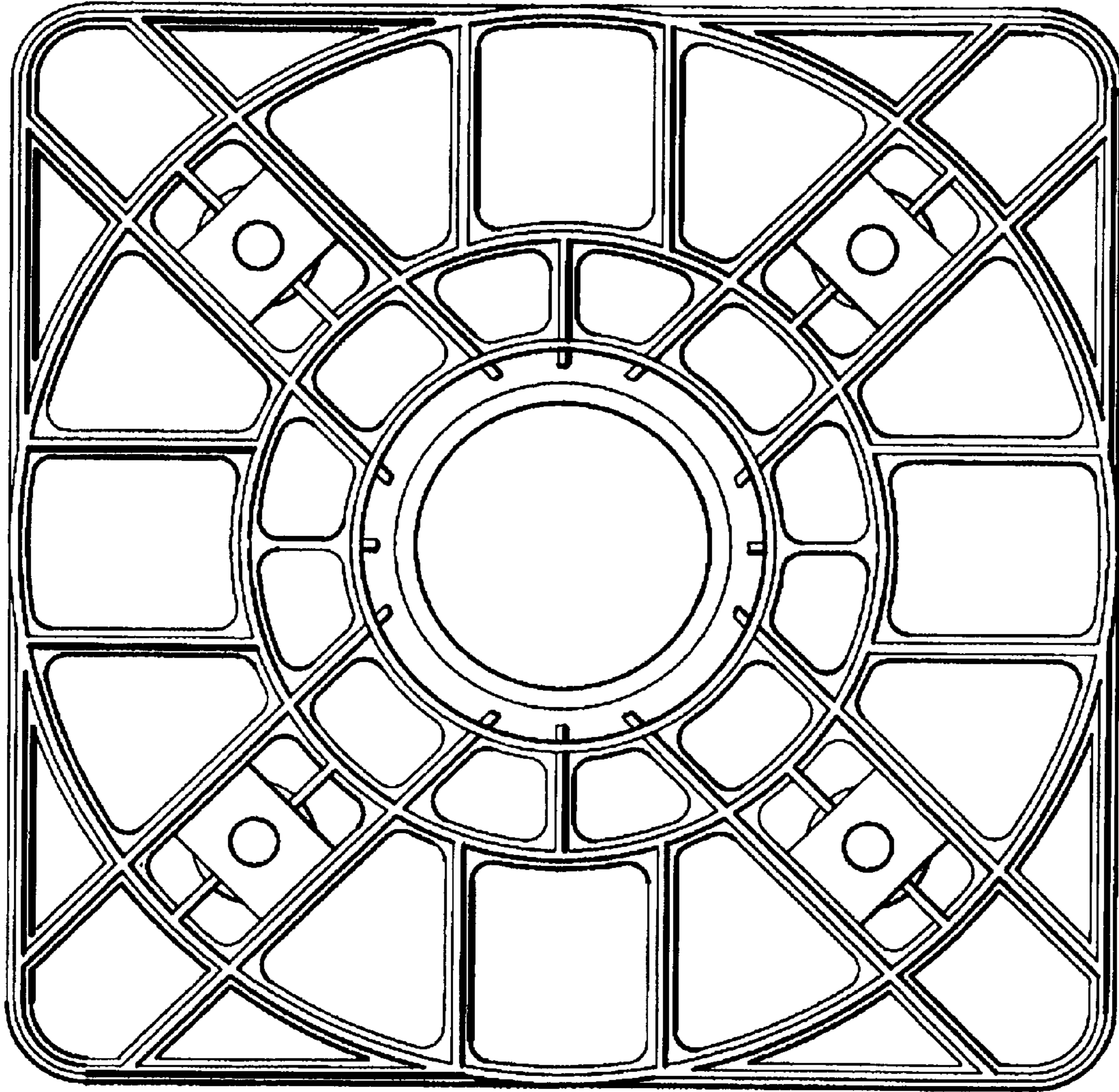


FIGURE 2

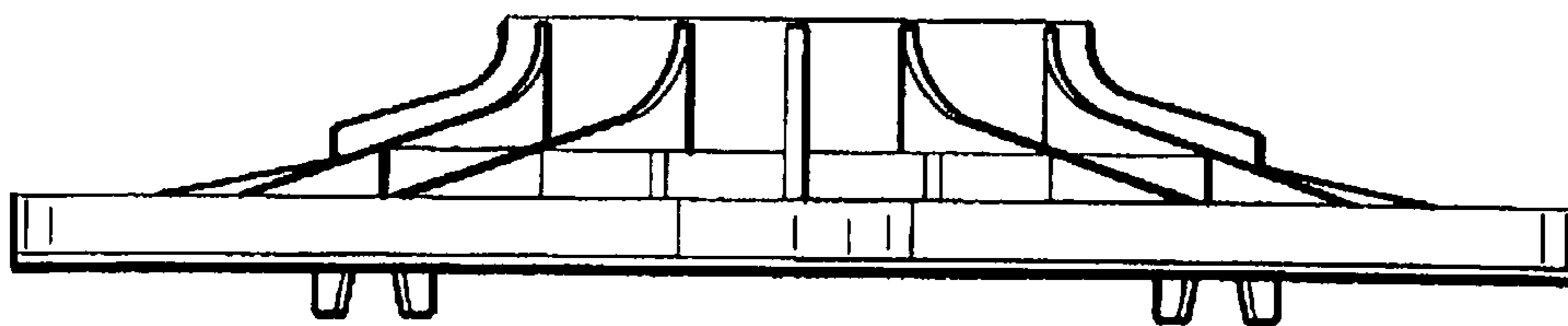


FIGURE 3