



US00D602170S

(12) **United States Design Patent**
Konrad et al.

(10) **Patent No.:** **US D602,170 S**
(45) **Date of Patent:** **** Oct. 13, 2009**

(54) **ROLLING SHUTTER SLAT**

(75) Inventors: **Walter Martin Konrad**, Pearland, TX (US); **Stefan Andreas Poetsch**, Houston, TX (US); **Manuel J. Montez**, Pearland, TX (US)

(73) Assignee: **Rollac Shutter of Texas, Inc.**, Pearland, TX (US)

(**) Term: **14 Years**

(21) Appl. No.: **29/312,821**

(22) Filed: **Nov. 17, 2008**

(51) **LOC (9) Cl.** **25-02**

(52) **U.S. Cl.** **D25/49**

(58) **Field of Classification Search** D25/49;
160/23.1, 32, 41, 98, 99, 133, 104, 120, 238,
160/DIG. 10; 52/473

See application file for complete search history.

(56) **References Cited**

U.S. PATENT DOCUMENTS

1,352,656 A * 9/1920 Cahill 160/232

3,324,929 A * 6/1967 Griesser 160/133
5,839,493 A 11/1998 Quasius
D414,877 S * 10/1999 Meshulam D25/49
6,095,225 A 8/2000 Miller
D450,857 S * 11/2001 Schoeren D25/49
6,631,749 B1 10/2003 Zabala
6,951,236 B2 10/2005 Schlater et al.
7,100,665 B2 9/2006 Miller

* cited by examiner

Primary Examiner—Doris Clark

(74) *Attorney, Agent, or Firm*—The Buskop Law Group

(57) **CLAIM**

The ornamental design for a rolling shutter slat, as shown.

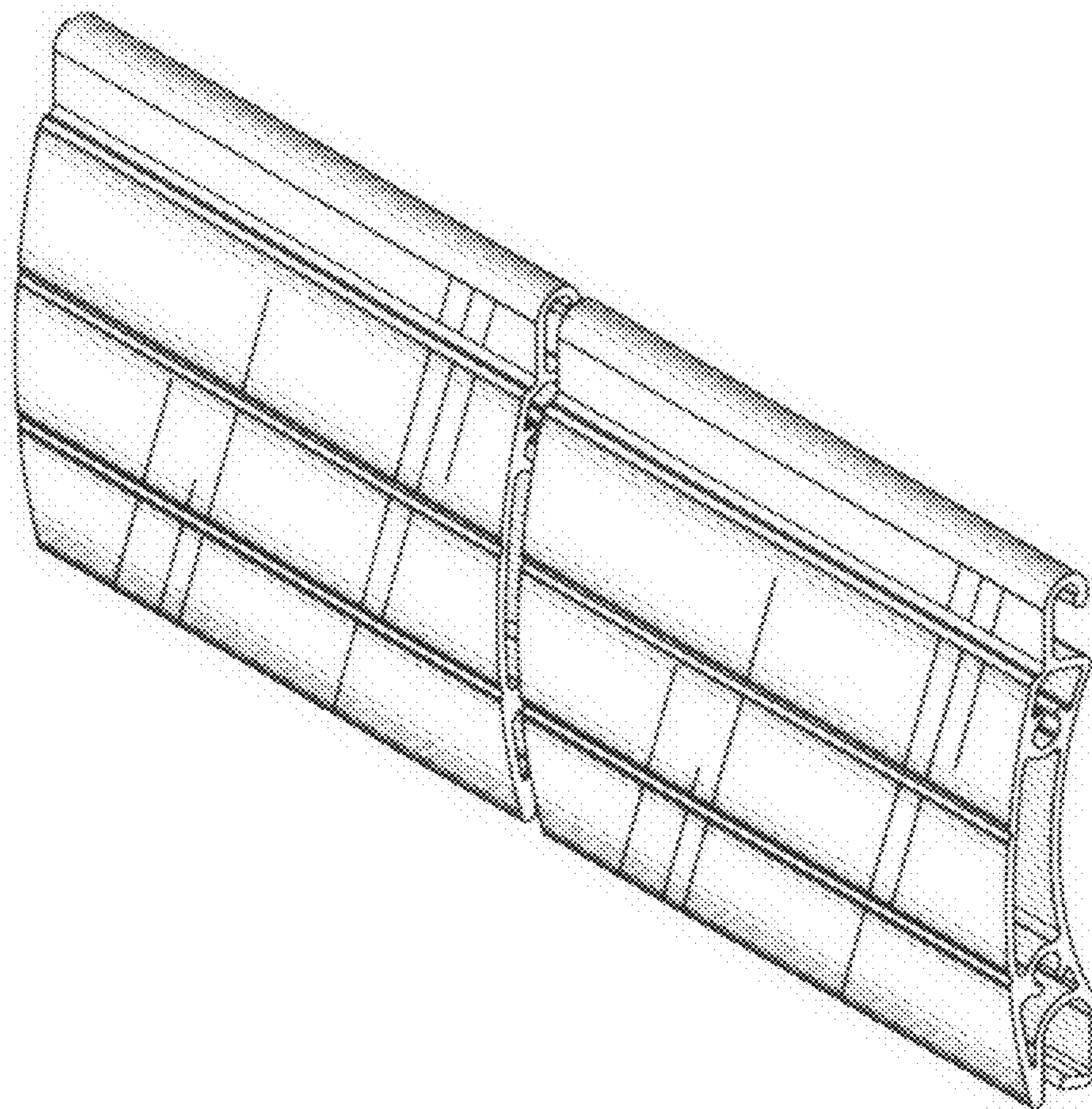
DESCRIPTION

FIG. 1 is an end view of a rolling shutter slat showing our new design; the opposite end view being a mirror image.

FIG. 2 is a perspective front view thereof; and,

FIG. 3 is a perspective back view thereof.

1 Claim, 1 Drawing Sheet



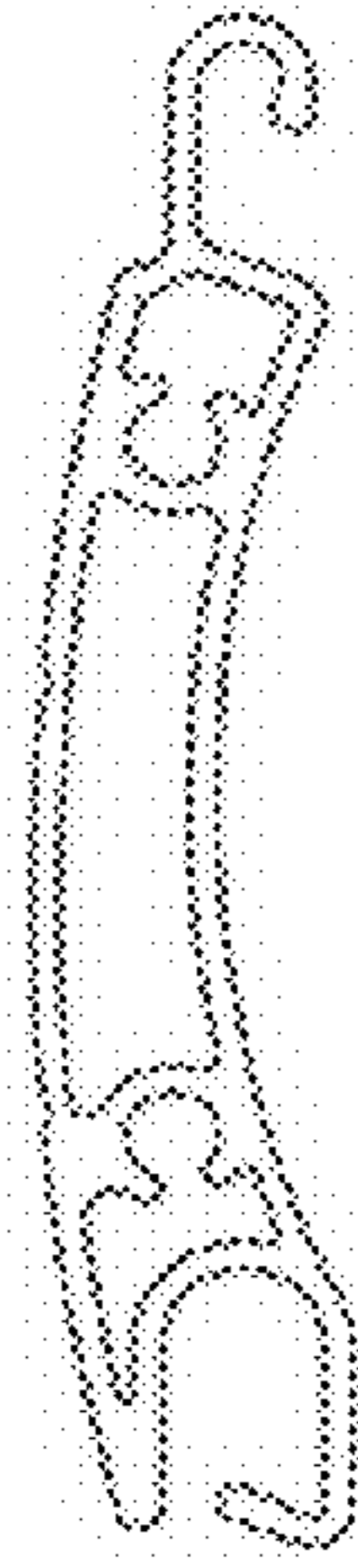


FIG1.

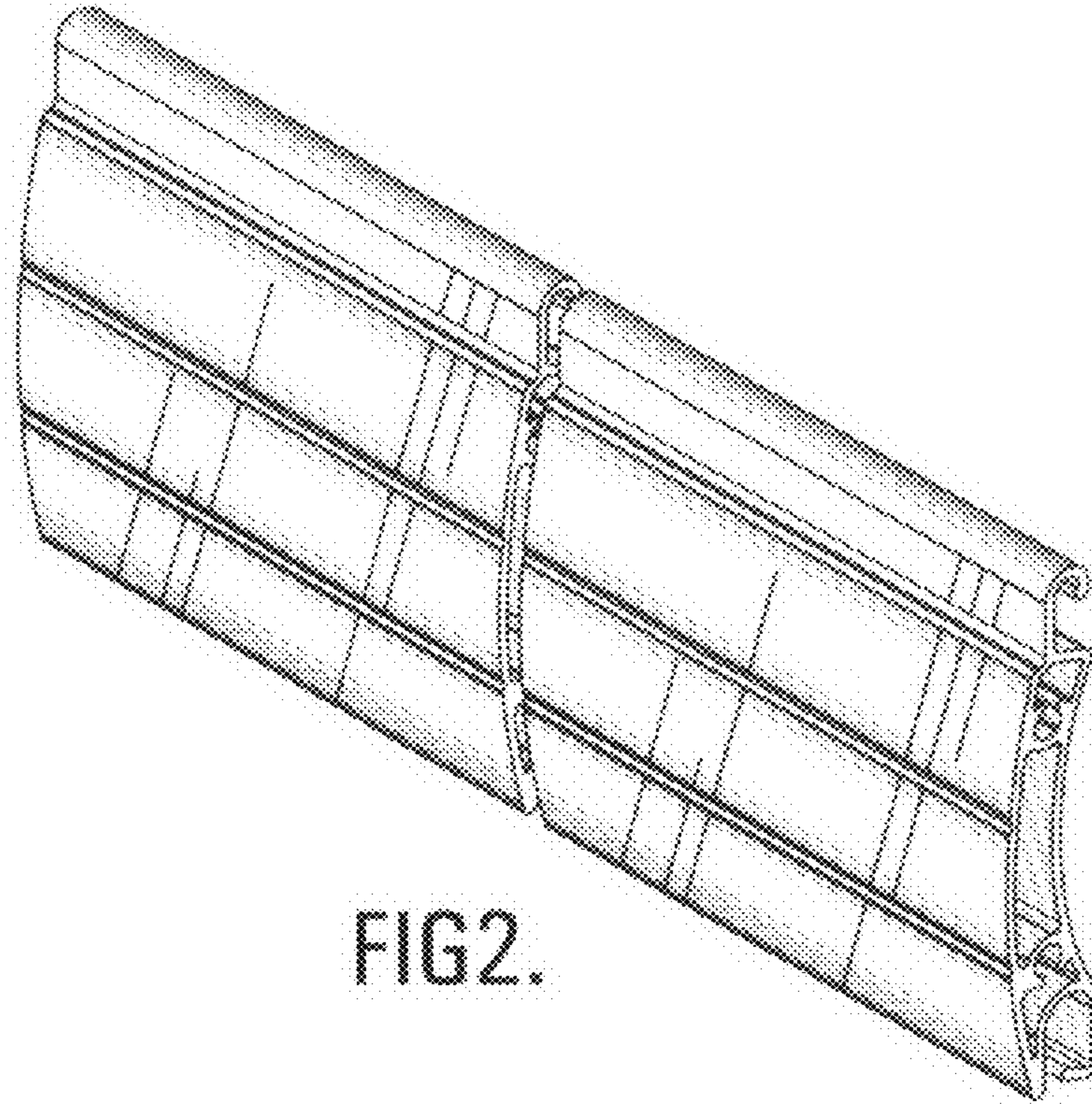


FIG2.

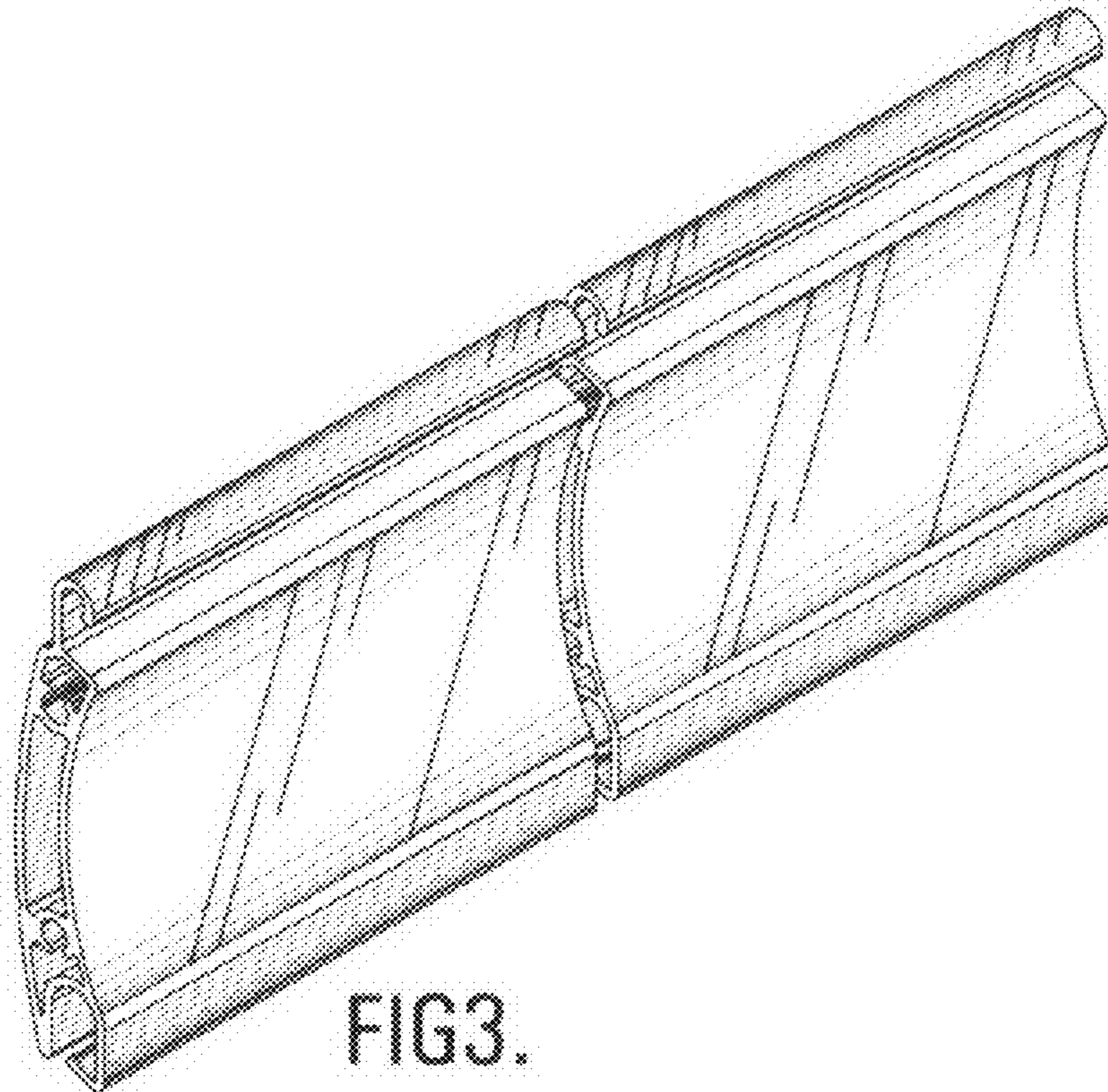


FIG3.