



US00D602164S

(12) **United States Design Patent**  
**Speth et al.**

(10) **Patent No.:** **US D602,164 S**  
(45) **Date of Patent:** **\*\* Oct. 13, 2009**

(54) **RADIATION SHIELDING CONTAINER  
PORTION**

D513,384 S \* 1/2006 Perry ..... D9/447  
D522,663 S \* 6/2006 Py et al. .... D24/224  
D561,032 S \* 2/2008 Fuchs ..... D9/529

(75) Inventors: **Andrew D. Speth**, St. Louis, MO (US);  
**Kevin R. Martz**, St. Louis, MO (US)

\* cited by examiner

(73) Assignee: **Mallinckrodt Inc.**, Hazelwood, MO  
(US)

*Primary Examiner*—T. Chase Nelson  
*Assistant Examiner*—Anhdao Doan

(\*\*) Term: **14 Years**

(57) **CLAIM**

(21) Appl. No.: **29/295,648**

The ornamental design for a radiation shielding container portion, as shown and described.

(22) Filed: **Oct. 3, 2007**

**DESCRIPTION**

(51) **LOC (9) Cl.** ..... **24-01**

FIG. 1 is a perspective view of a radiation shielding container portion;

(52) **U.S. Cl.** ..... **D24/224**

FIG. 2 is a top plan view thereof;

(58) **Field of Classification Search** ..... D24/216–226,  
D24/231, 232; 422/99, 102; D9/503, 504,  
D9/529, 530, 516, 522, 549; D3/203.1–203.8;  
435/288.1, 304.1; 436/810; D10/81; 250/496.1,  
250/506.1, 507.1

FIG. 3 is a cross section view thereof taken along line 3—3 in FIG. 2;

See application file for complete search history.

FIG. 4 is a cross section view thereof taken along line 4—4 in FIG. 2;

(56) **References Cited**

FIG. 5 is a front elevation view thereof;

**U.S. PATENT DOCUMENTS**

FIG. 6 is a side elevation view thereof; and,

3,958,572 A \* 5/1976 Lawhead ..... 422/916  
D401,699 S \* 11/1998 Herchenbach et al. .... D24/224  
D457,247 S \* 5/2002 Iheme et al. .... D24/224  
D485,181 S \* 1/2004 Yourist ..... D9/454  
D487,594 S \* 3/2004 Alscher et al. .... D24/224  
D488,864 S \* 4/2004 Fago et al. .... D24/121

FIG. 7 is a rear elevation view thereof.

The broken lines shown in the figures illustrate portions of the radiation shielding container portion that form no part of the claimed design.

**1 Claim, 7 Drawing Sheets**

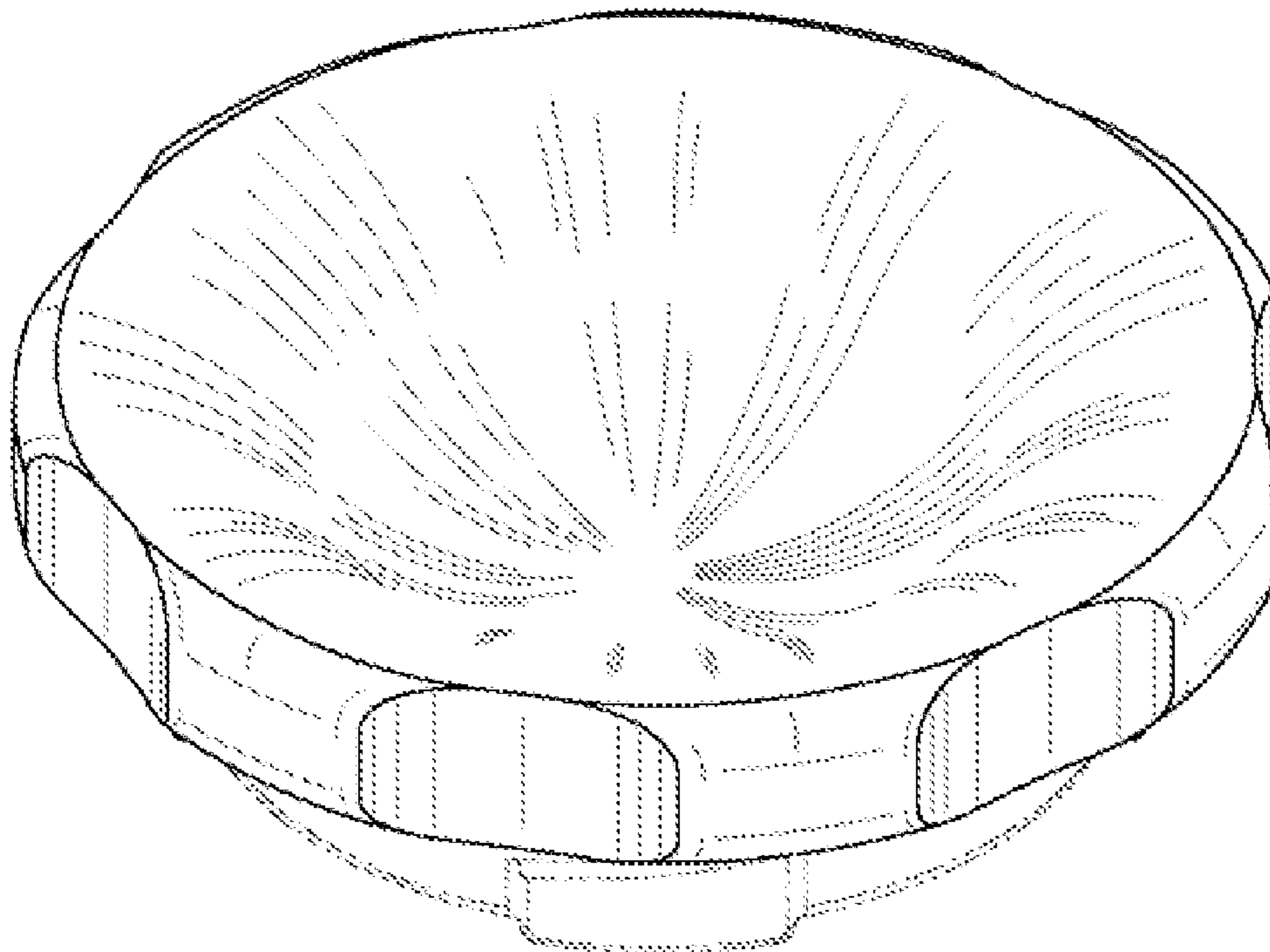


FIG. 1

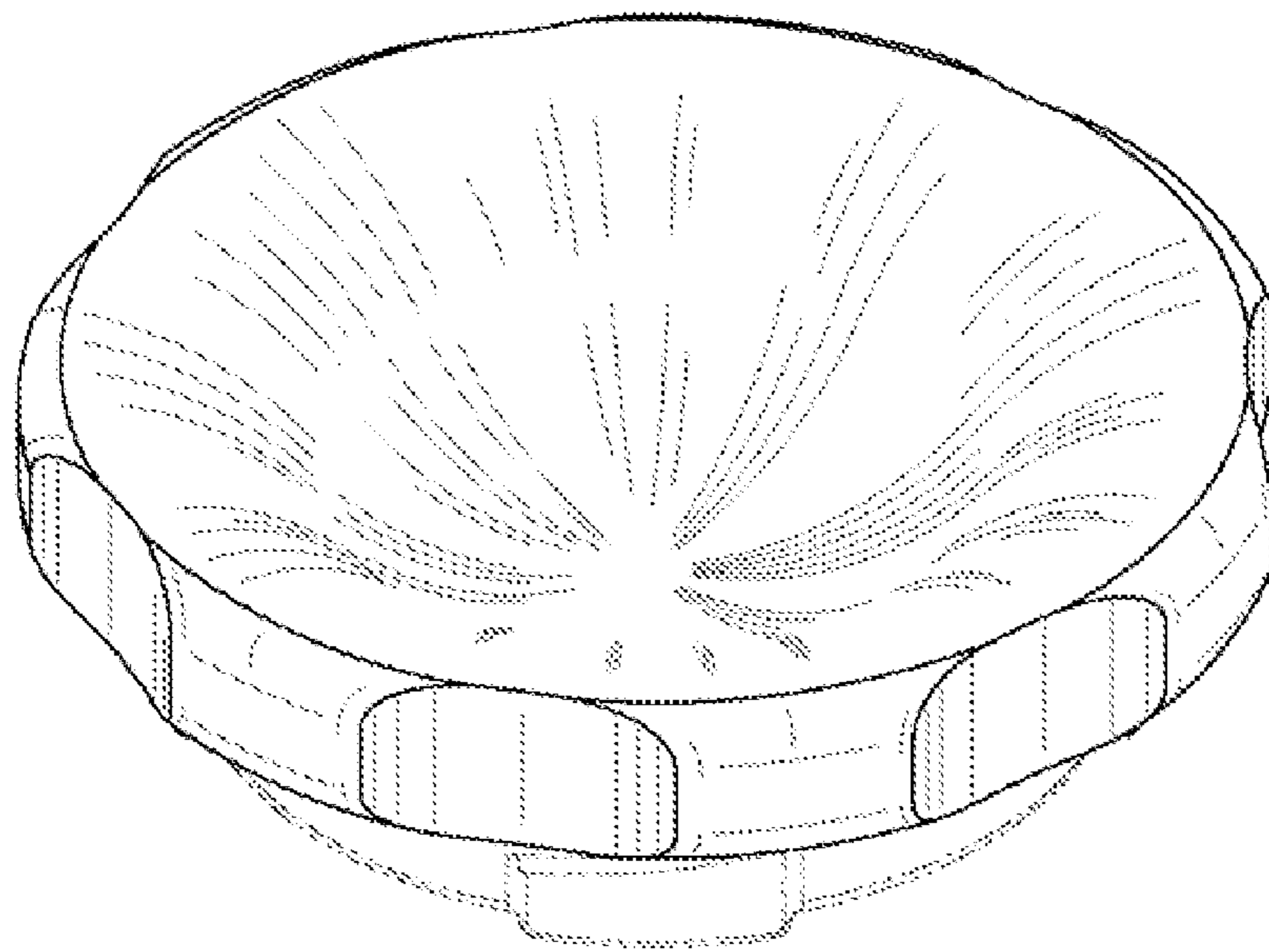


FIG. 2

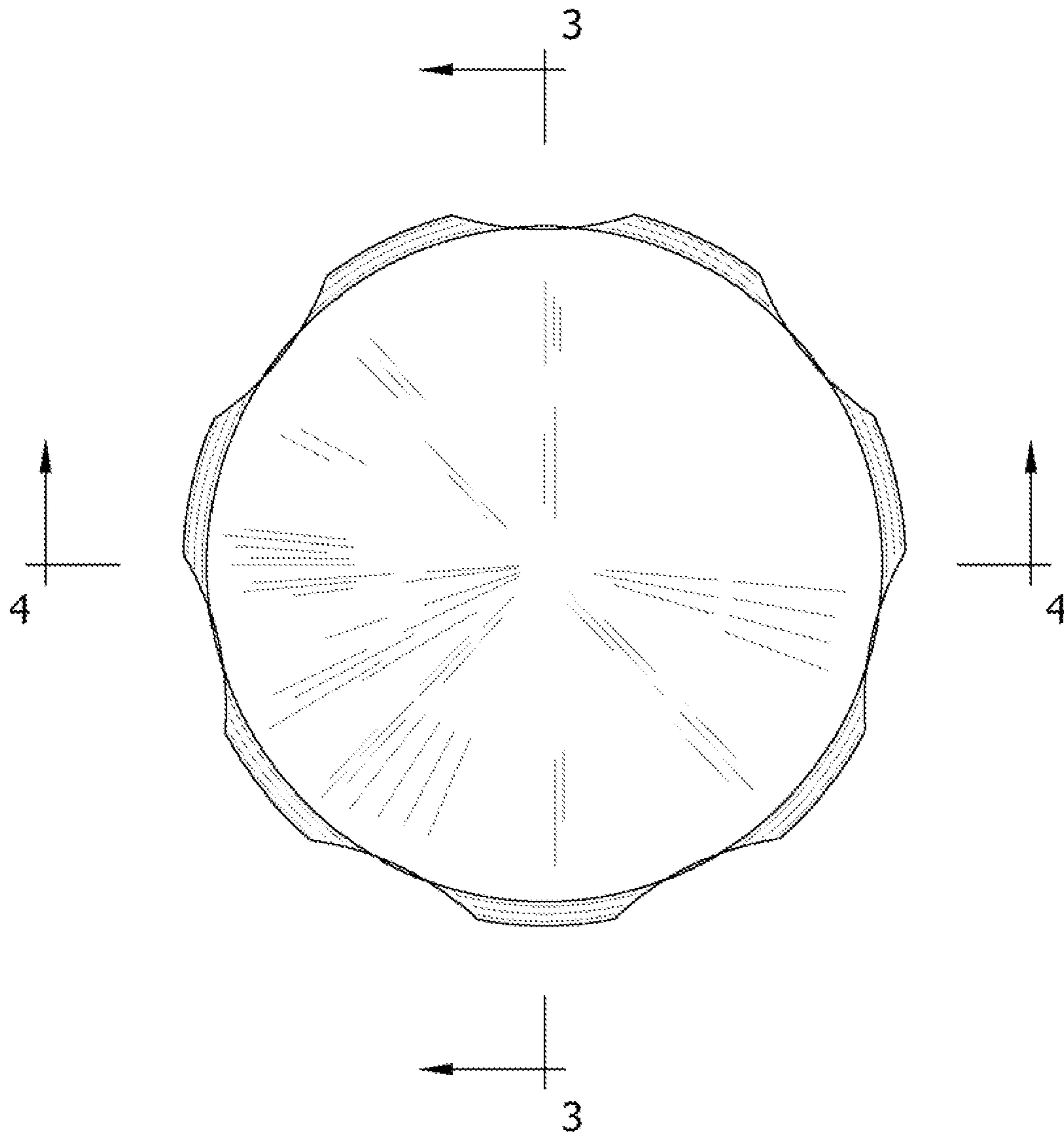


FIG. 3

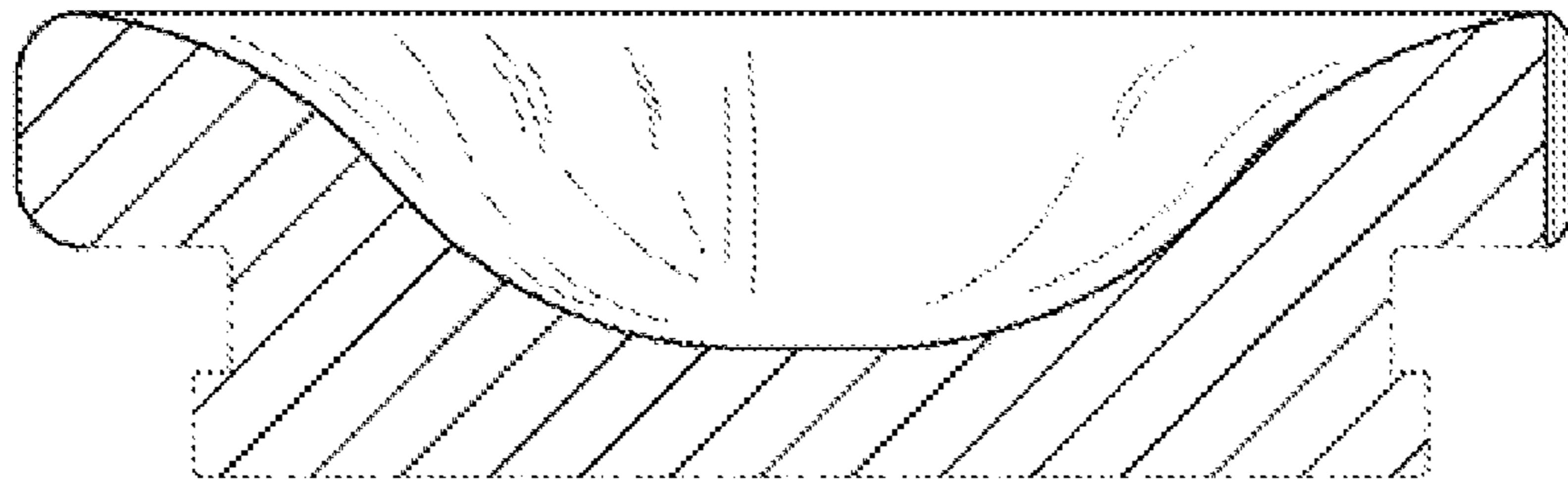


FIG. 4

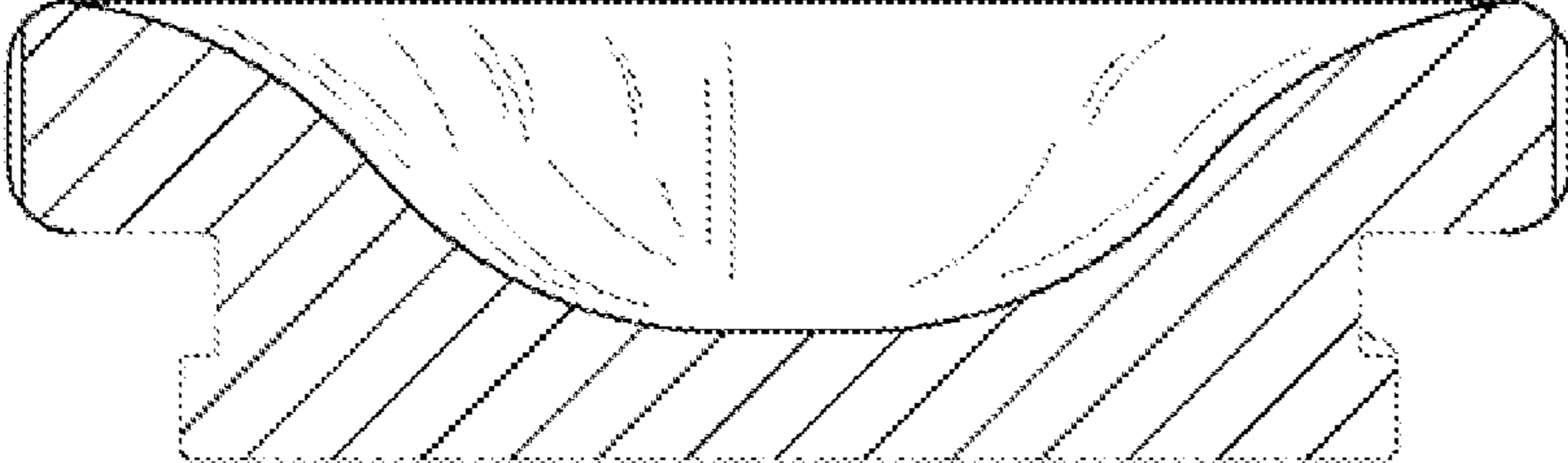


FIG. 5

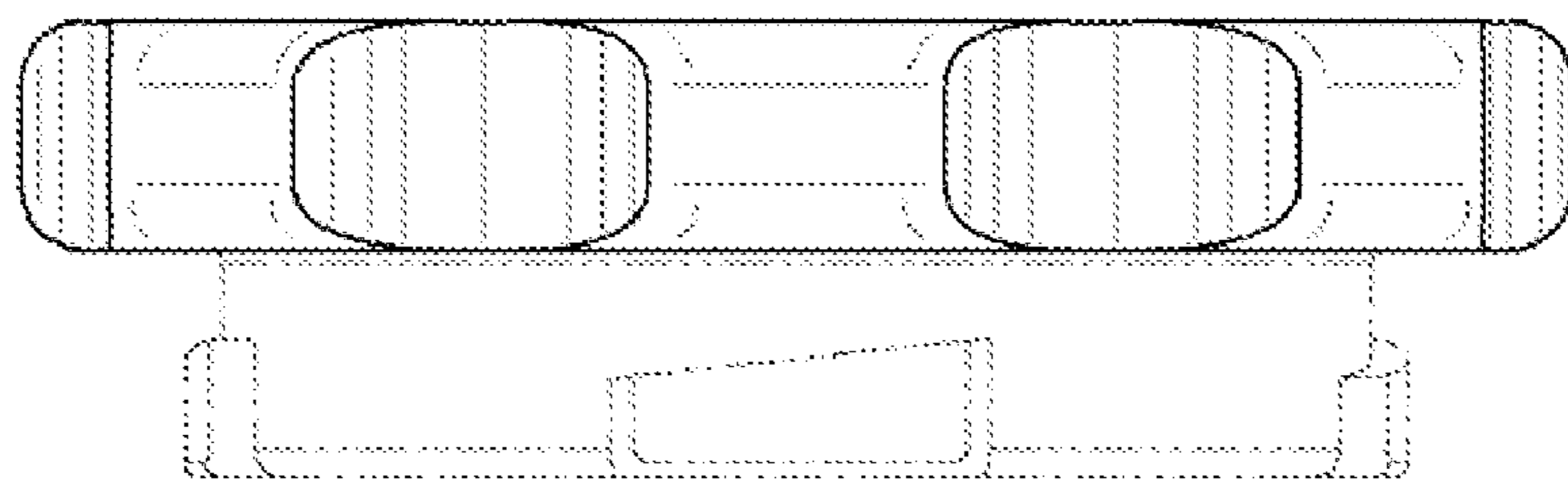


FIG. 6

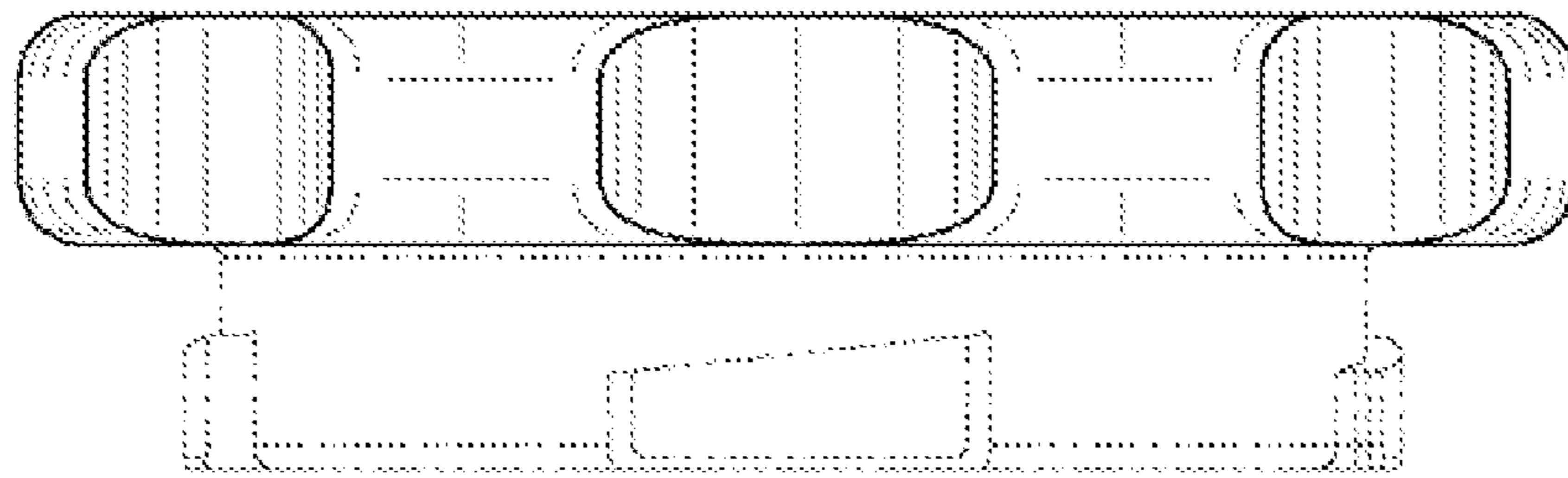


FIG. 7

