



US00D602163S

(12) **United States Design Patent**  
**Ton**

(10) **Patent No.:** **US D602,163 S**

(45) **Date of Patent:** **\*\* Oct. 13, 2009**

(54) **PEDICURE SPA**

6,503,212 B2 \* 1/2003 Park ..... 601/158  
D506,830 S \* 6/2005 Zimmermann ..... D24/204

(76) Inventor: **Quy That Ton**, 3131 Dairymple Dr.,  
Baton Rouge, LA (US) 70822

\* cited by examiner

(\*\*) Term: **14 Years**

*Primary Examiner*—Cathron C Brooks

*Assistant Examiner*—Melanie Levy

(21) Appl. No.: **29/321,007**

(74) *Attorney, Agent, or Firm*—Duane Morris LLP

(22) Filed: **Jul. 9, 2008**

(57) **CLAIM**

**Related U.S. Application Data**

The ornamental design for a pedicure spa, as shown and described.

(63) Continuation-in-part of application No. 29/278,657,  
filed on Apr. 5, 2007, now abandoned.

**DESCRIPTION**

(51) **LOC (9) Cl.** ..... **24-04**

FIG. 1 is a perspective view showing the front, right and upper side of a pedicure spa showing my new pedicure spa;

(52) **U.S. Cl.** ..... **D24/204**

FIG. 2 is a right side view thereof;

(58) **Field of Classification Search** ..... None  
See application file for complete search history.

FIG. 3 is a perspective view showing the rear, left and upper side thereof; and

(56) **References Cited**

FIG. 4 is a front view thereof; and;

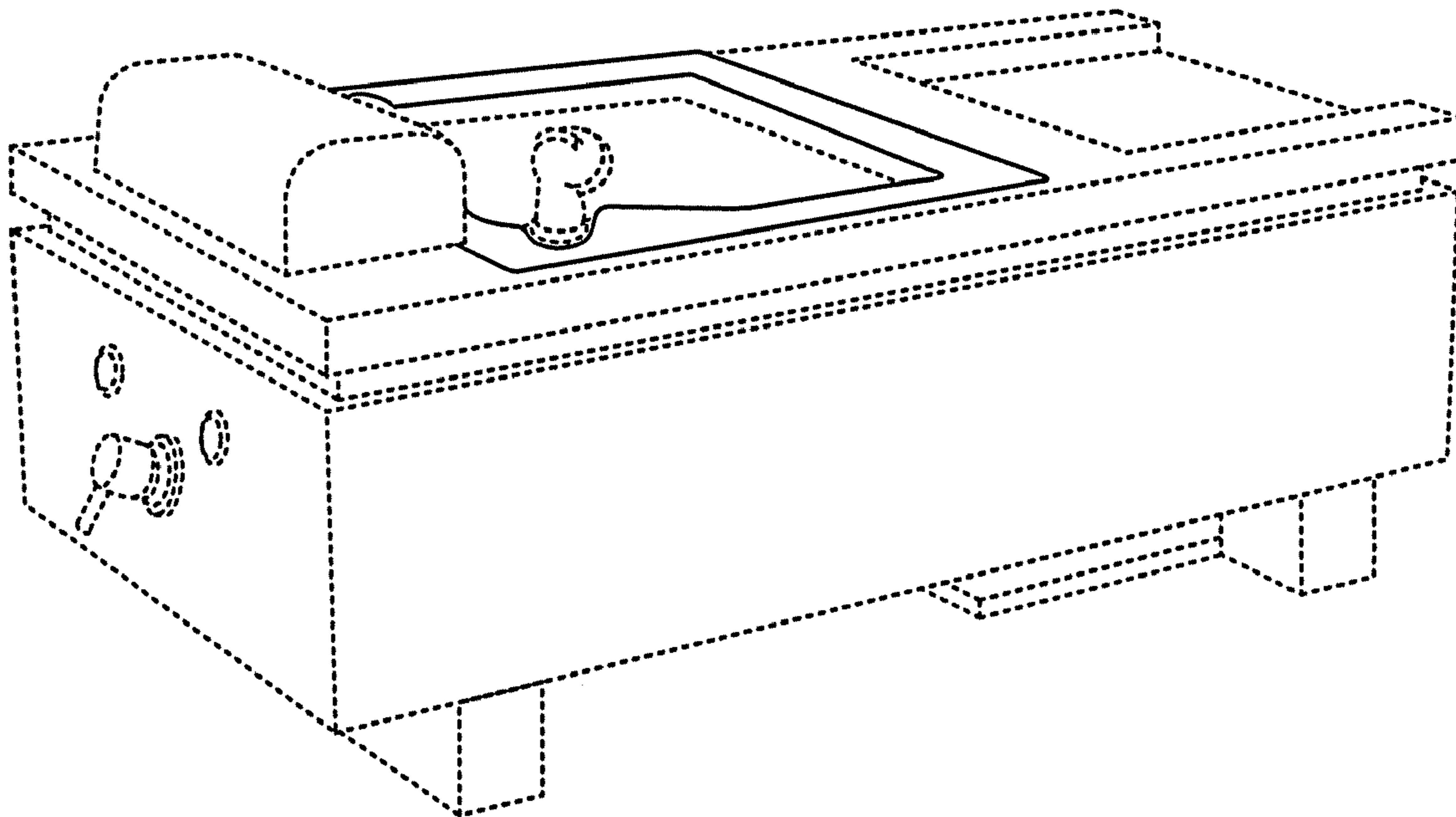
**U.S. PATENT DOCUMENTS**

FIG. 5 is a perspective view showing the under side thereof.

- D247,511 S \* 3/1978 Lee et al. .... D24/205
- D303,162 S \* 8/1989 Meyerovich et al. .... D26/61
- D346,043 S \* 4/1994 Galati et al. .... D28/61
- D457,018 S \* 5/2002 Park ..... D6/495

The broken lines shown in the drawings represent unclaimed portions of the design and form no part thereof.

**1 Claim, 5 Drawing Sheets**



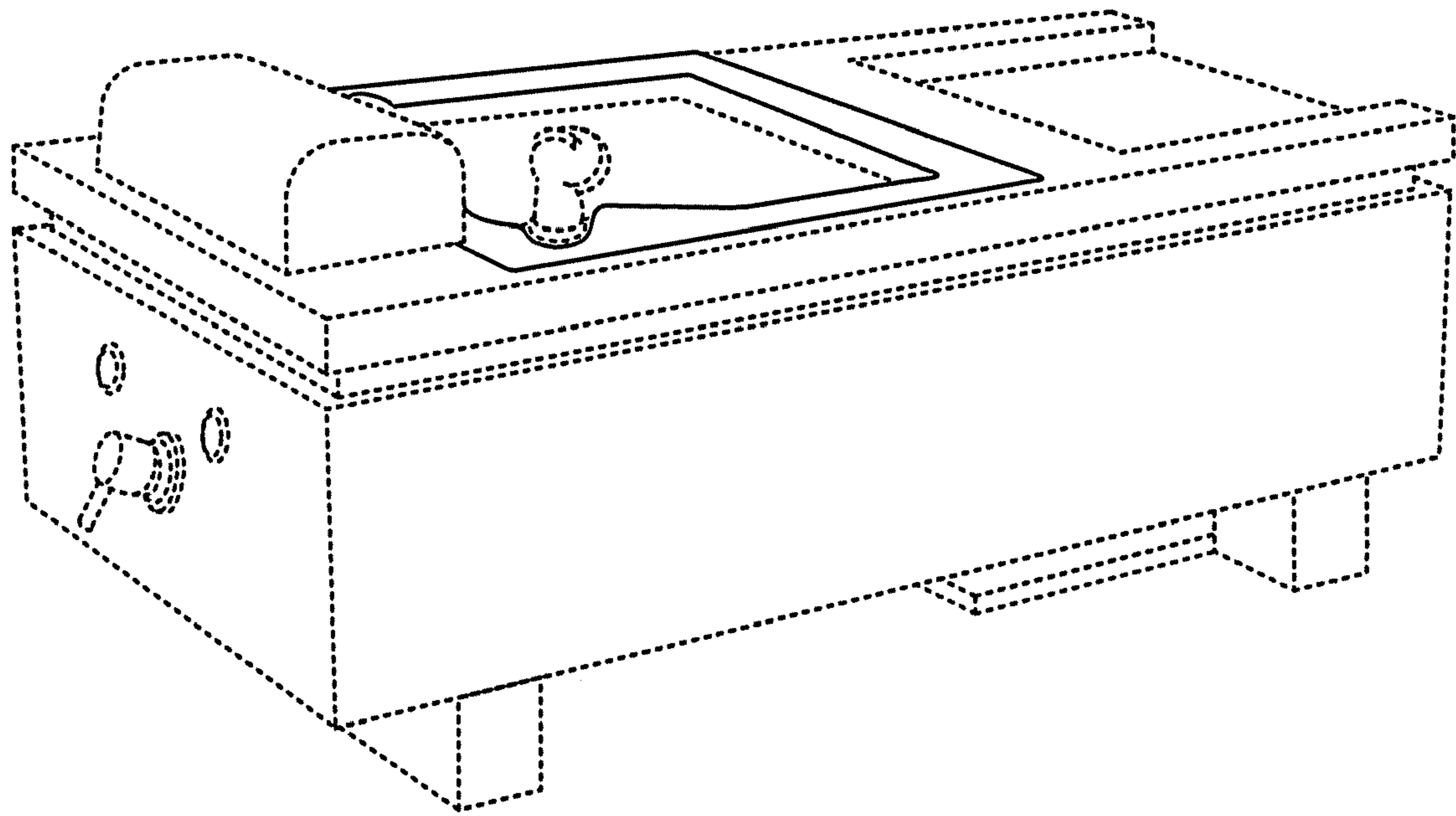


Fig. 1

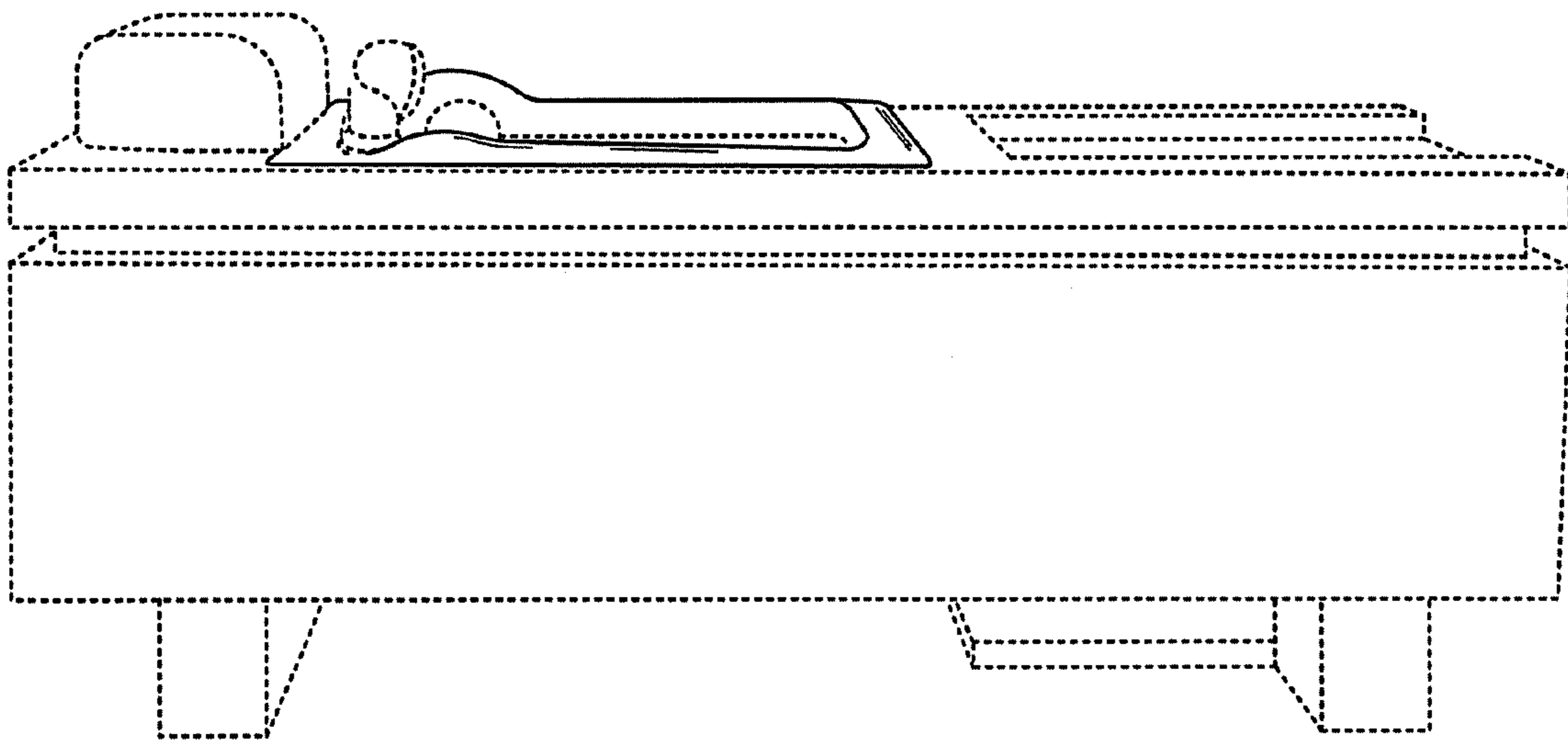


Fig. 2

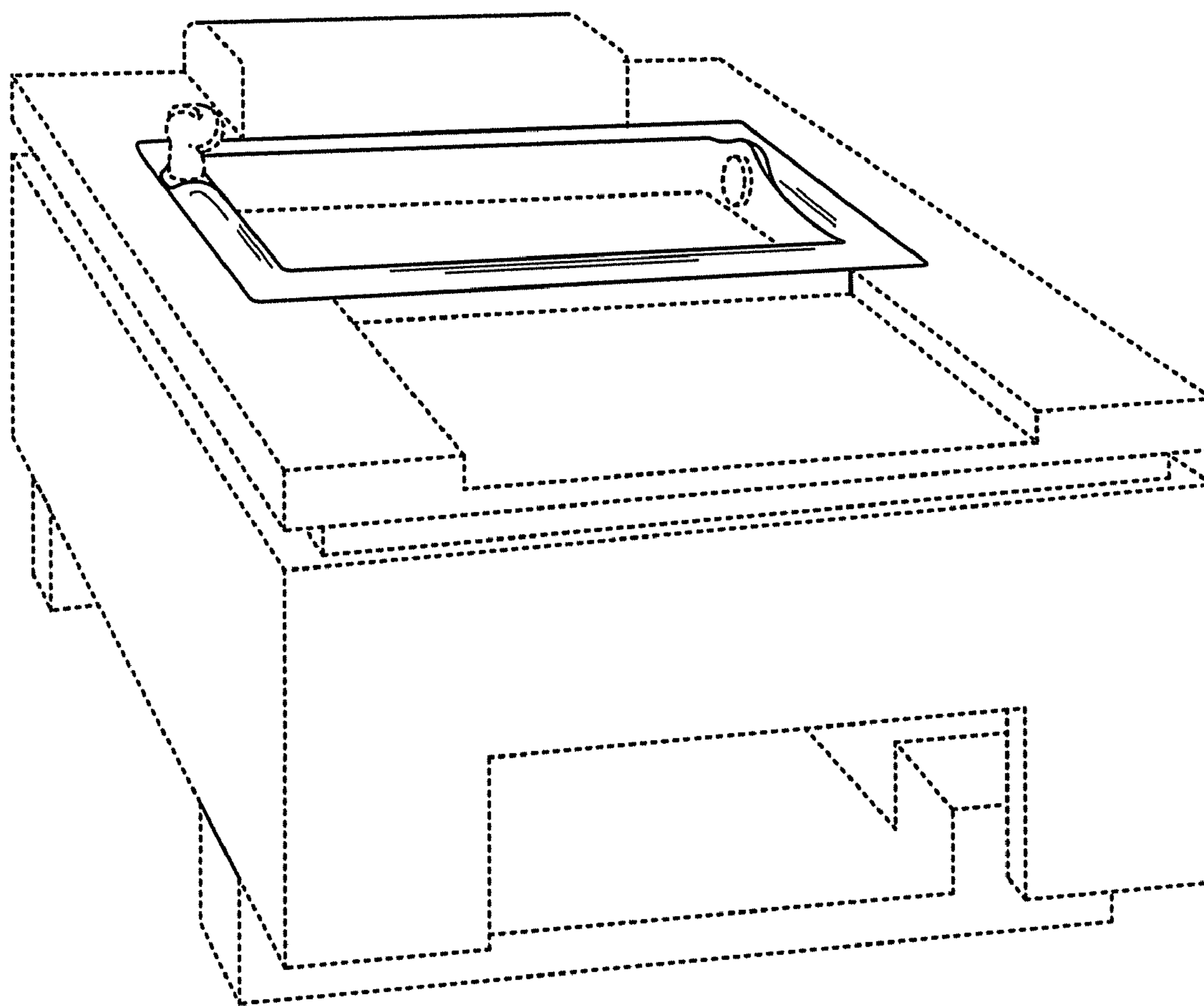


Fig. 3

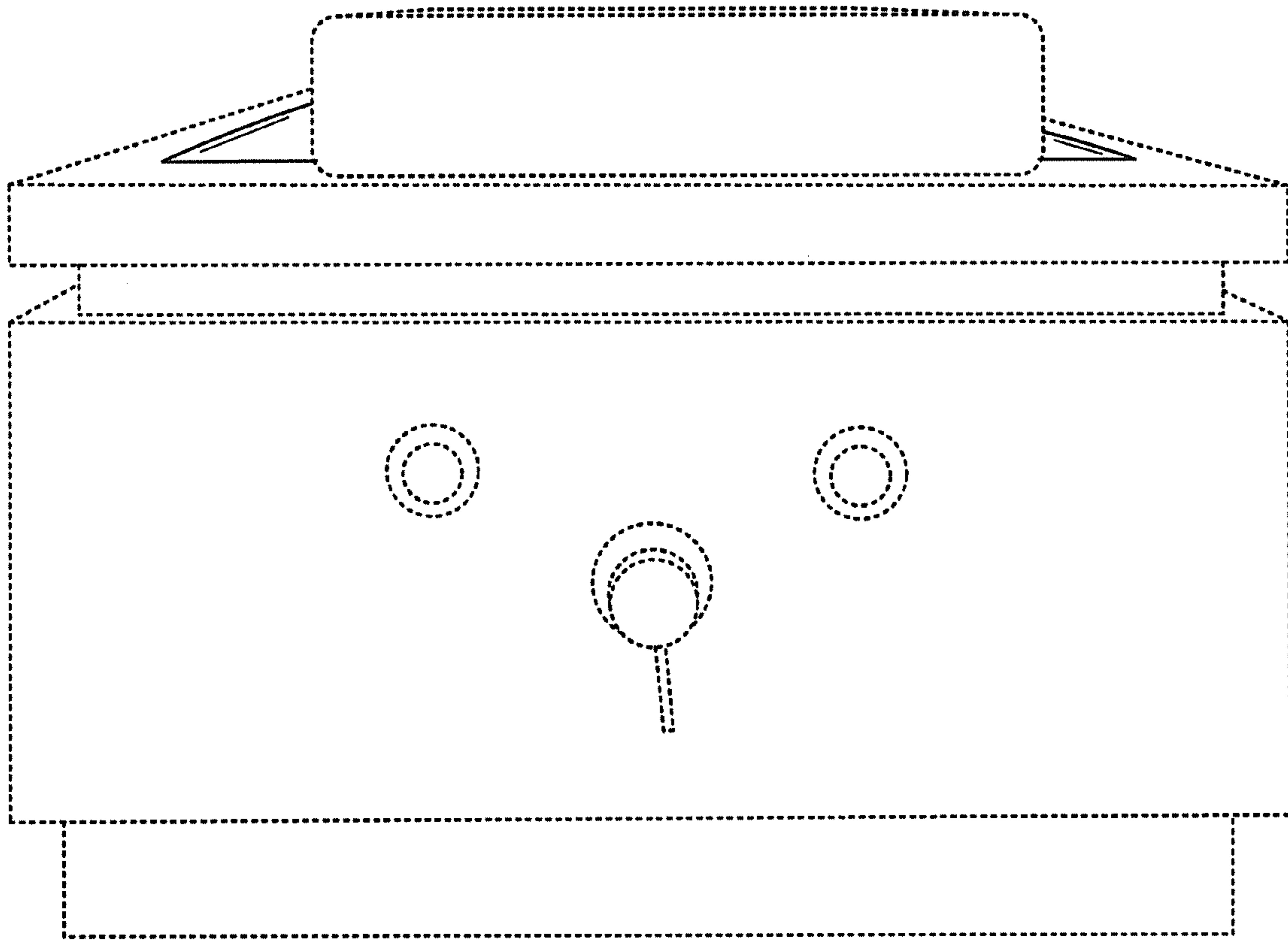


Fig. 4

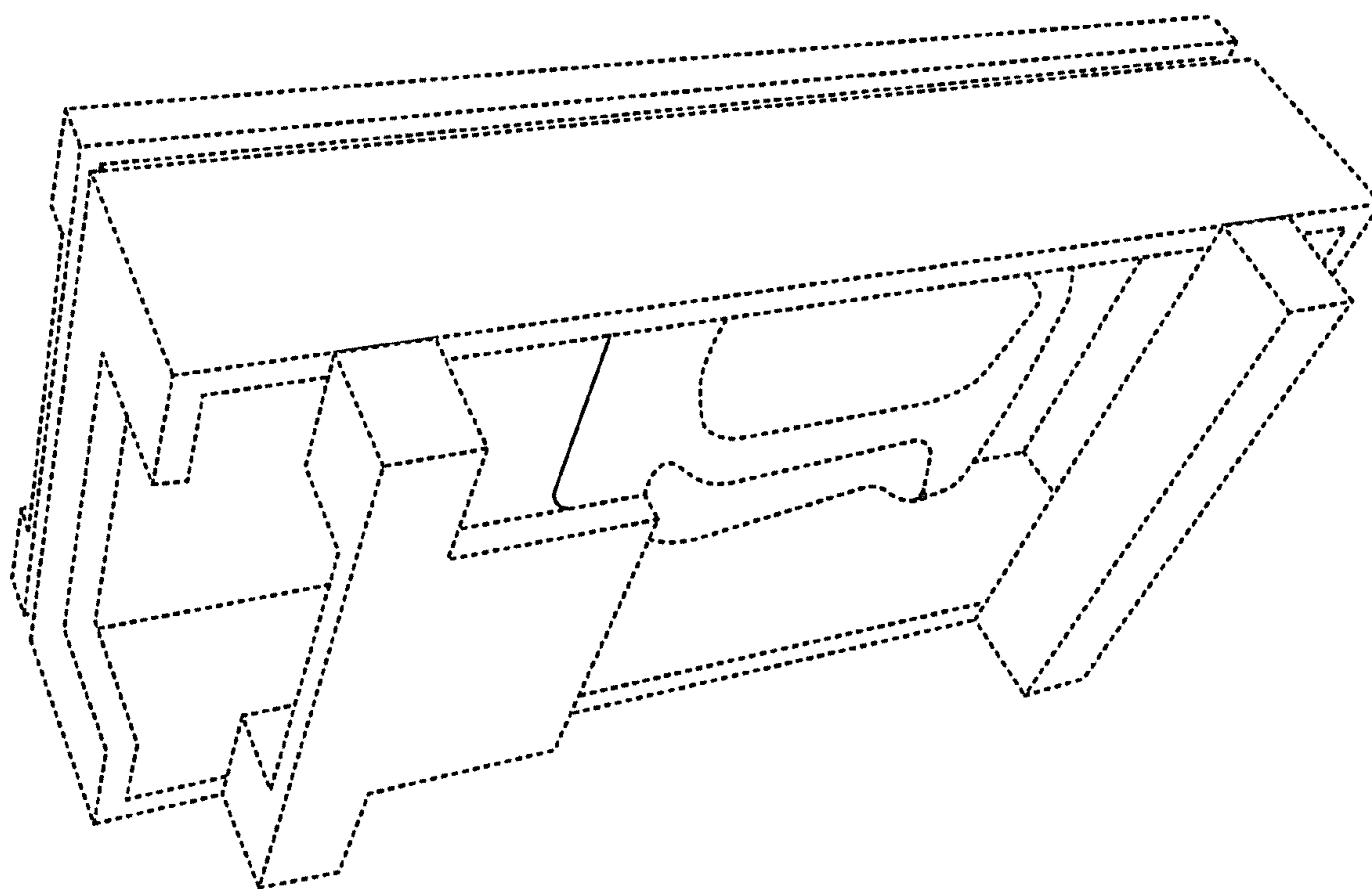


Fig. 5