



US00D602162S

(12) **United States Design Patent**
Albrecht et al.

(10) **Patent No.:** **US D602,162 S**
(45) **Date of Patent:** **** Oct. 13, 2009**

(54) **HEIGHT ADJUSTABLE COLUMN FOR AN OPERATING TABLE OR THE LIKE**

(75) Inventors: **Dirk Albrecht**, Jena (DE); **Martin Stohr**, Jena (DE); **Ilka Schlesiger**, Jena (DE)

(73) Assignee: **Trumpf Medizin Systeme GmbH**, Saafeld (DE)

(**) Term: **14 Years**

(21) Appl. No.: **29/331,763**

(22) Filed: **Jan. 30, 2009**

(30) **Foreign Application Priority Data**

Jul. 30, 2008 (EM) 000986344-0001

(51) **LOC (9) Cl.** **24-01**

(52) **U.S. Cl.** **D24/184**

(58) **Field of Classification Search** D24/183-184;
D6/360, 361, 367, 392; 5/600, 607-608,
5/611-612, 614, 618, 621-622, 652; 378/209;
600/102; 601/367

See application file for complete search history.

(56) **References Cited**

U.S. PATENT DOCUMENTS

3,281,141 A * 10/1966 Smiley et al. 5/614
D221,910 S * 9/1971 Robisson D24/183
3,868,103 A * 2/1975 Pageot et al. 5/614
3,982,741 A * 9/1976 Mitchell et al. 5/614
D249,359 S * 9/1978 Stott et al. D24/183
4,186,917 A * 2/1980 Rais et al. 5/614
4,195,829 A * 4/1980 Reser 5/614
D260,172 S * 8/1981 Kyle D24/183
4,501,414 A * 2/1985 Mason et al. 5/614
4,865,303 A * 9/1989 Hall 5/614
4,872,657 A * 10/1989 Lussi 5/608
D344,802 S * 3/1994 Kuck et al. D24/183

6,038,718 A * 3/2000 Pennington et al. 5/618
D434,151 S * 11/2000 Fanuzzi D24/183
D439,670 S * 3/2001 Sommer D24/183
D453,968 S * 2/2002 Zachrisson D24/183
D462,445 S * 9/2002 Barde et al. D24/183
D467,344 S * 12/2002 van den Heuvel D24/183
6,505,364 B2 * 1/2003 Simmons et al. 5/600
D527,459 S * 8/2006 Gireesh D24/183
7,125,167 B2 * 10/2006 Alakkat 378/209
D553,246 S * 10/2007 Banryu D24/183
D583,954 S * 12/2008 Genelli D24/183
2004/0074003 A1 * 4/2004 Bannister 5/616

* cited by examiner

Primary Examiner—T. Chase Nelson

Assistant Examiner—Mark Cavanna

(74) *Attorney, Agent, or Firm*—Fish & Richardson P.C.

(57) **CLAIM**

The ornamental design for a height adjustable column for an operating table or the like, substantially as shown and described.

DESCRIPTION

FIG. 1 shows a perspective view of a height adjustable column for an operating table or the like showing our new design;

FIG. 2 shows a front view thereof;

FIG. 3 shows a rear view thereof;

FIG. 4 shows a right side thereof;

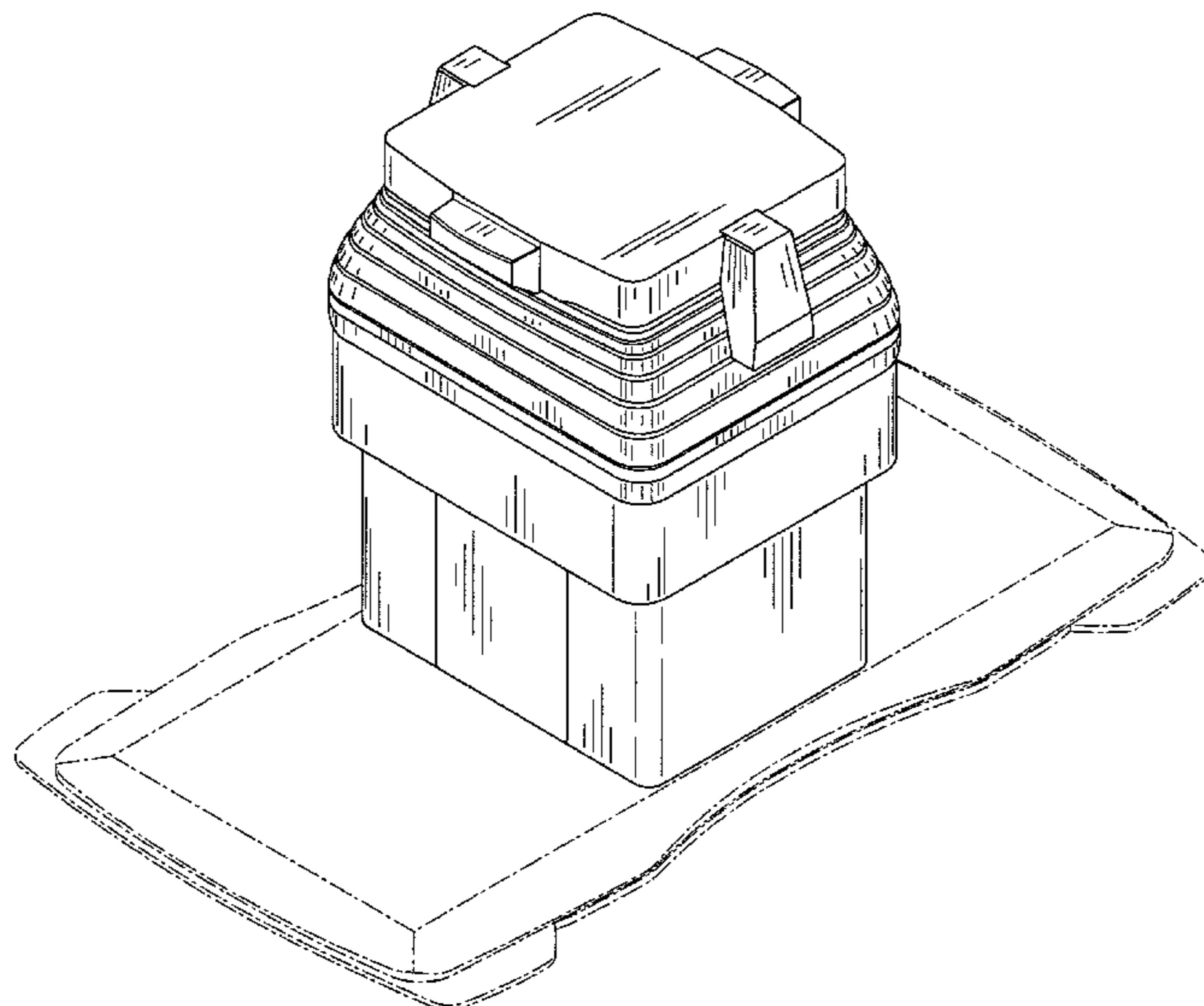
FIG. 5 shows a left side thereof;

FIG. 6 shows a top thereof; and,

FIG. 7 shows a bottom thereof.

The broken lines are included for the purpose of illustrating portions of the height adjustable column for an operating table or the like that forms no part of the claimed design.

1 Claim, 4 Drawing Sheets



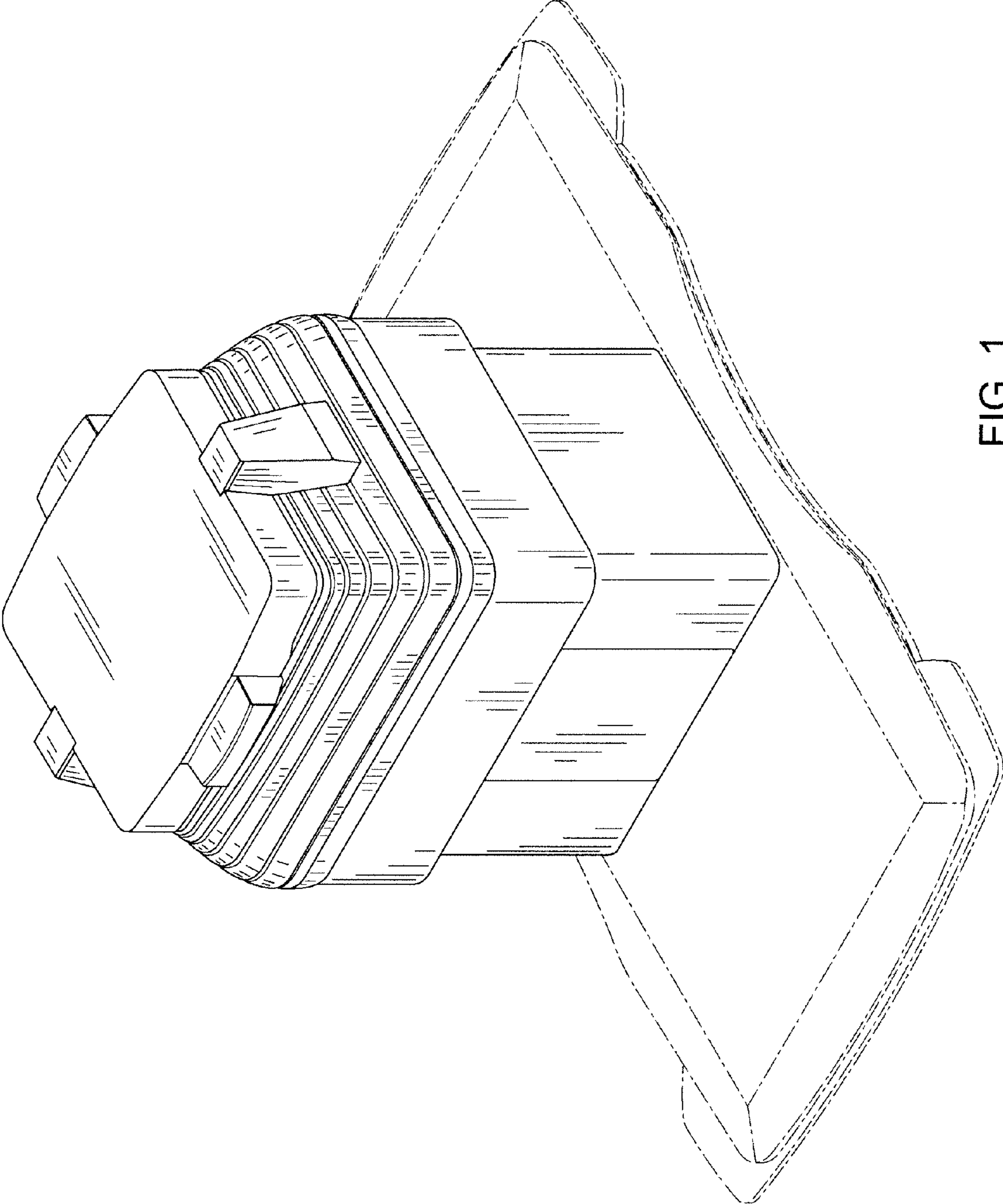


FIG. 1

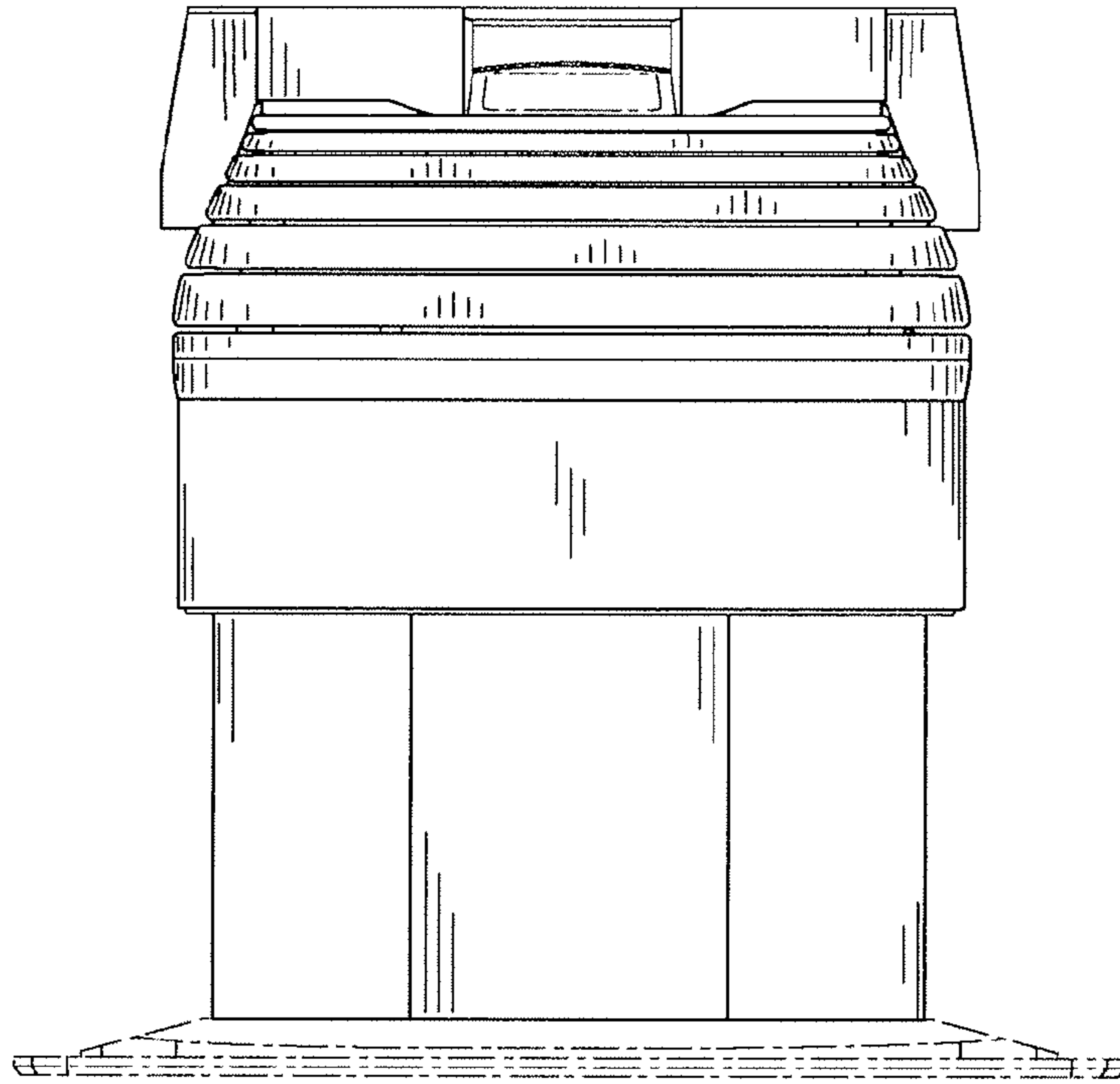


FIG. 2

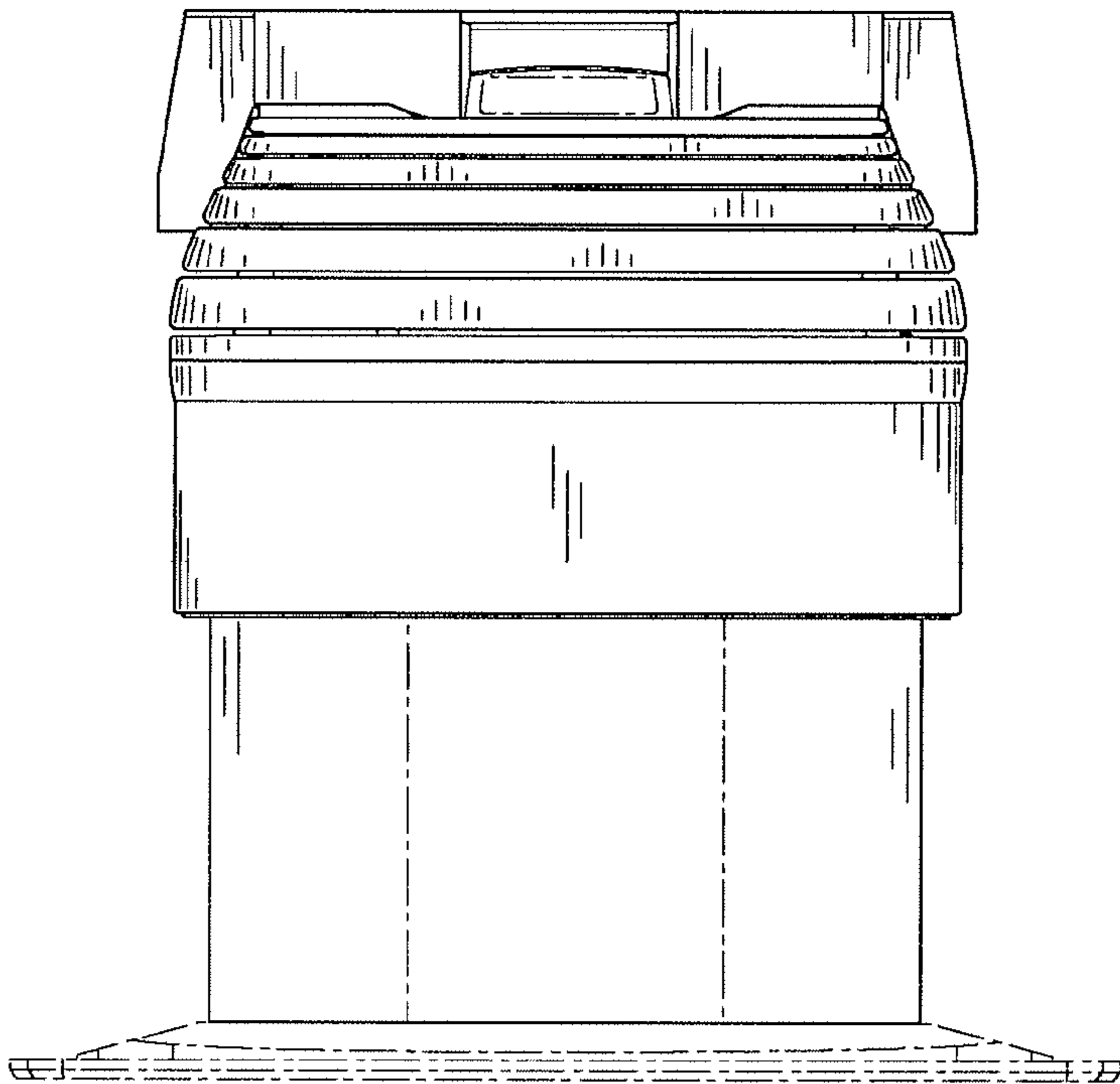


FIG. 3

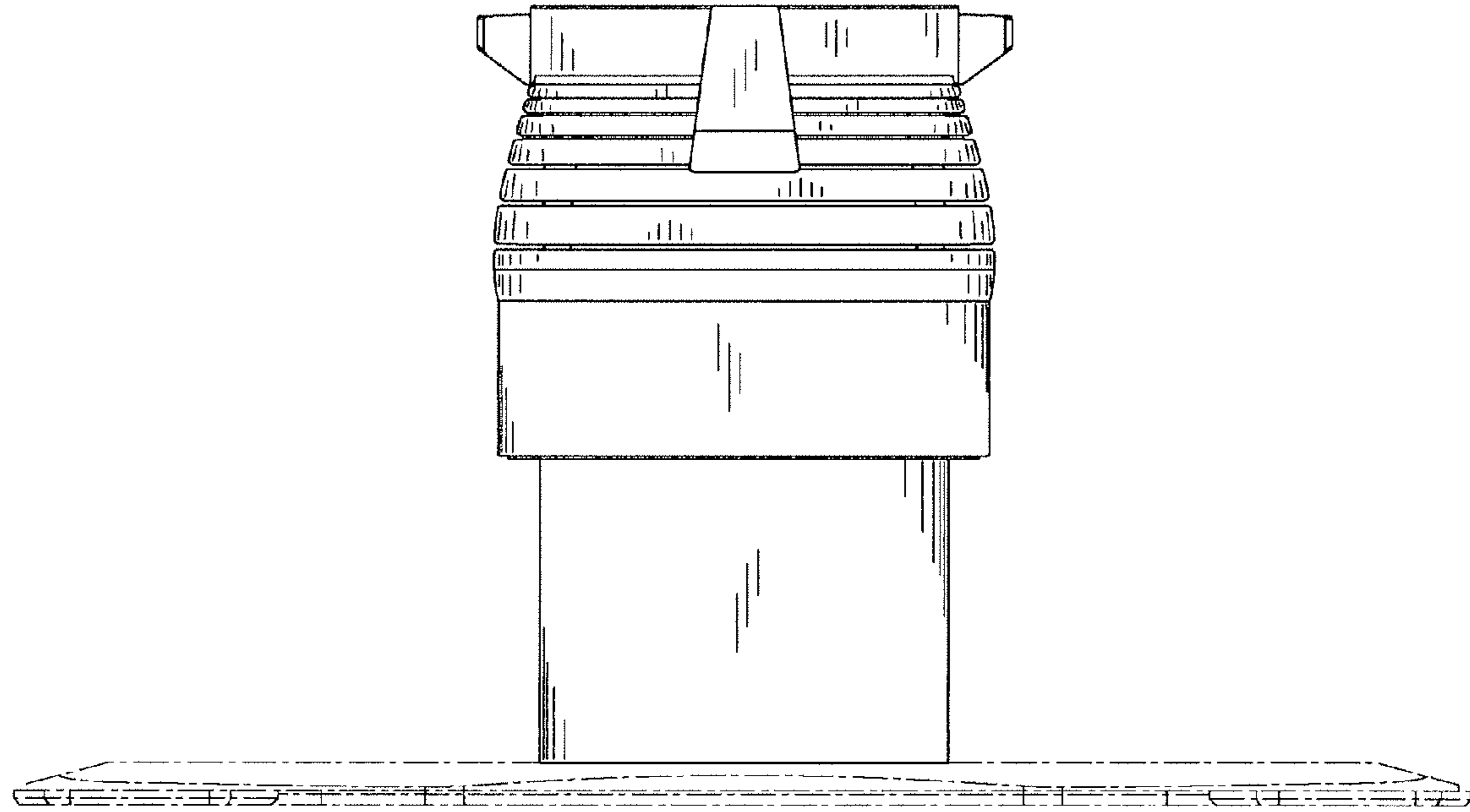


FIG. 4

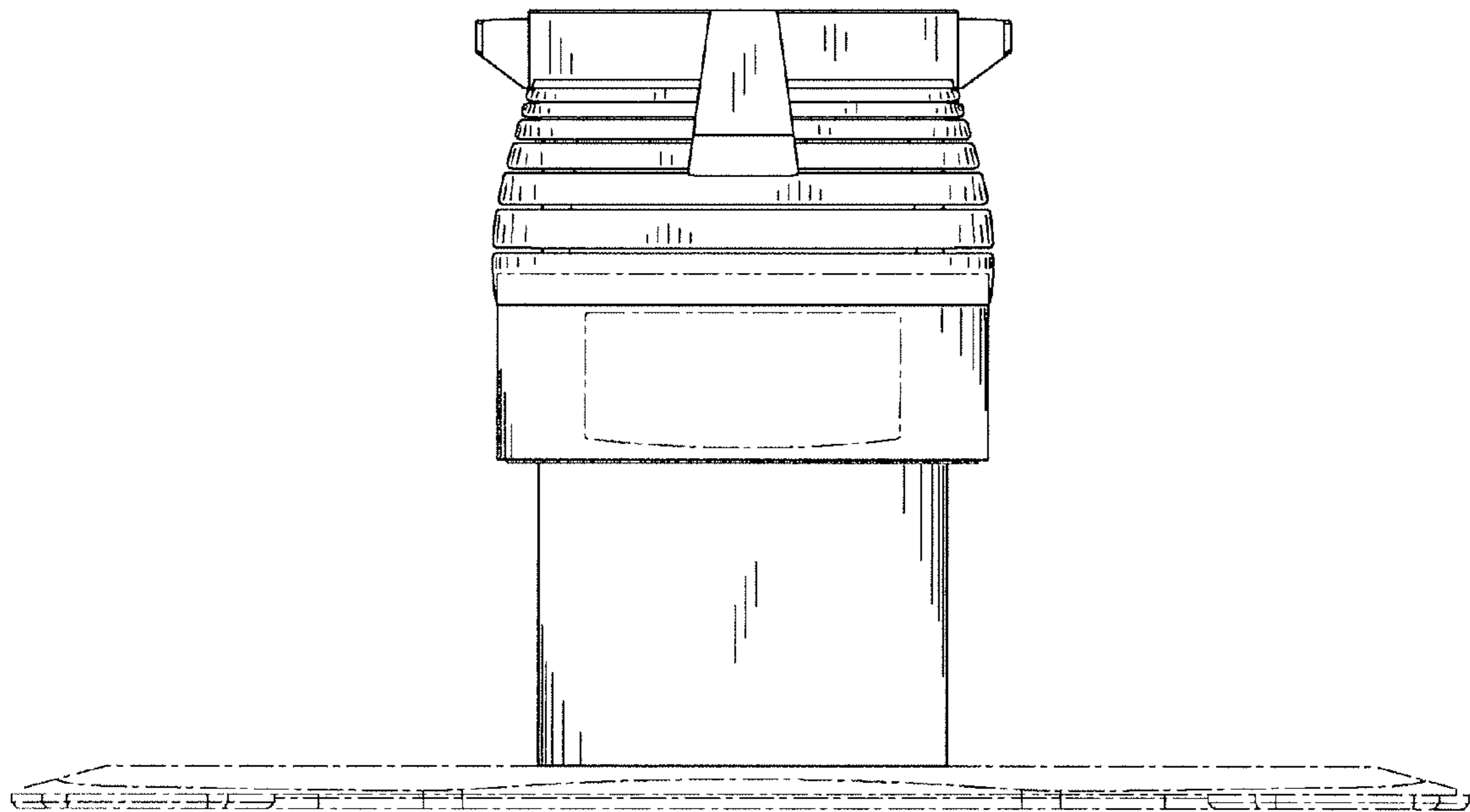


FIG. 5

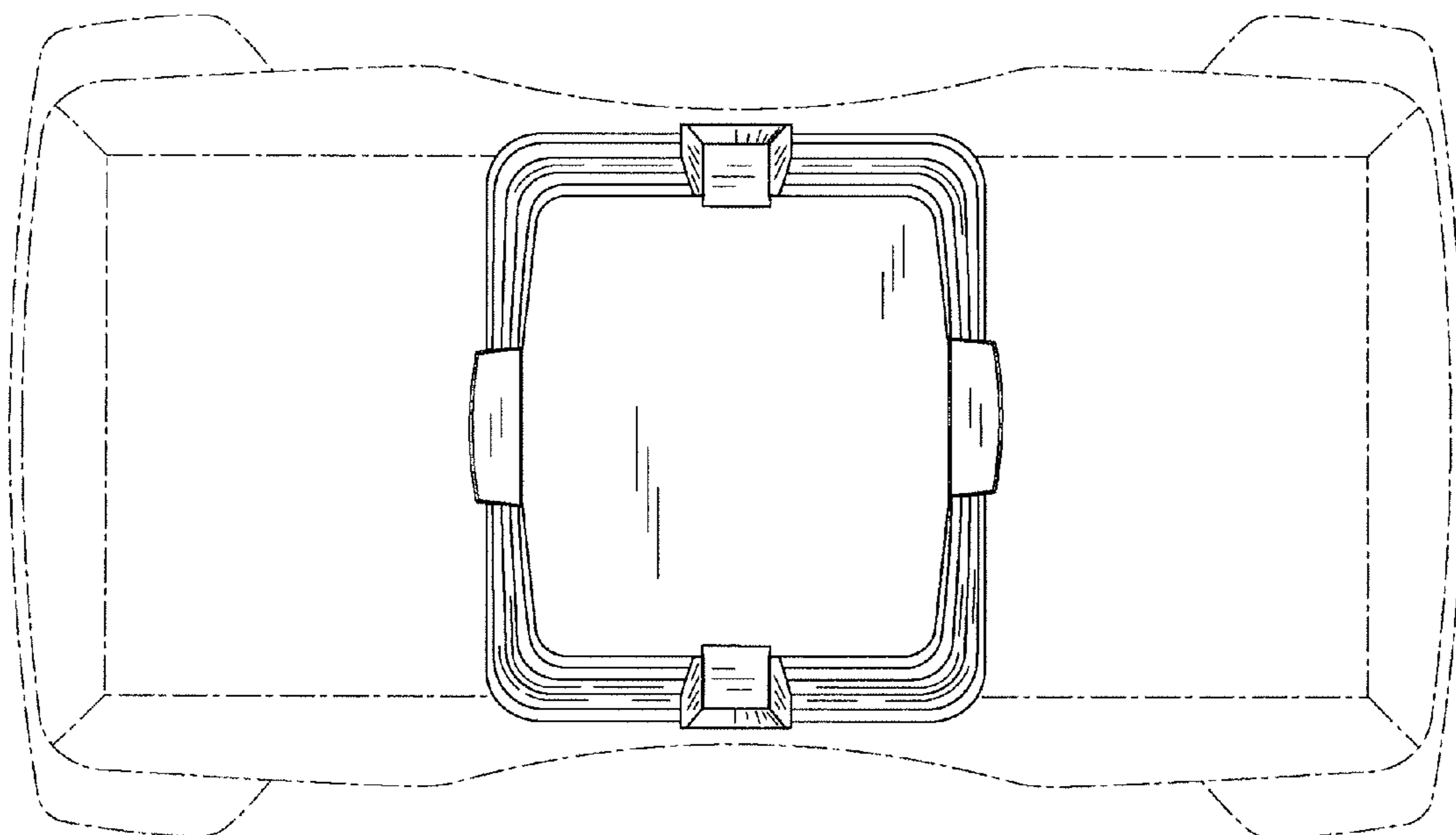


FIG. 6

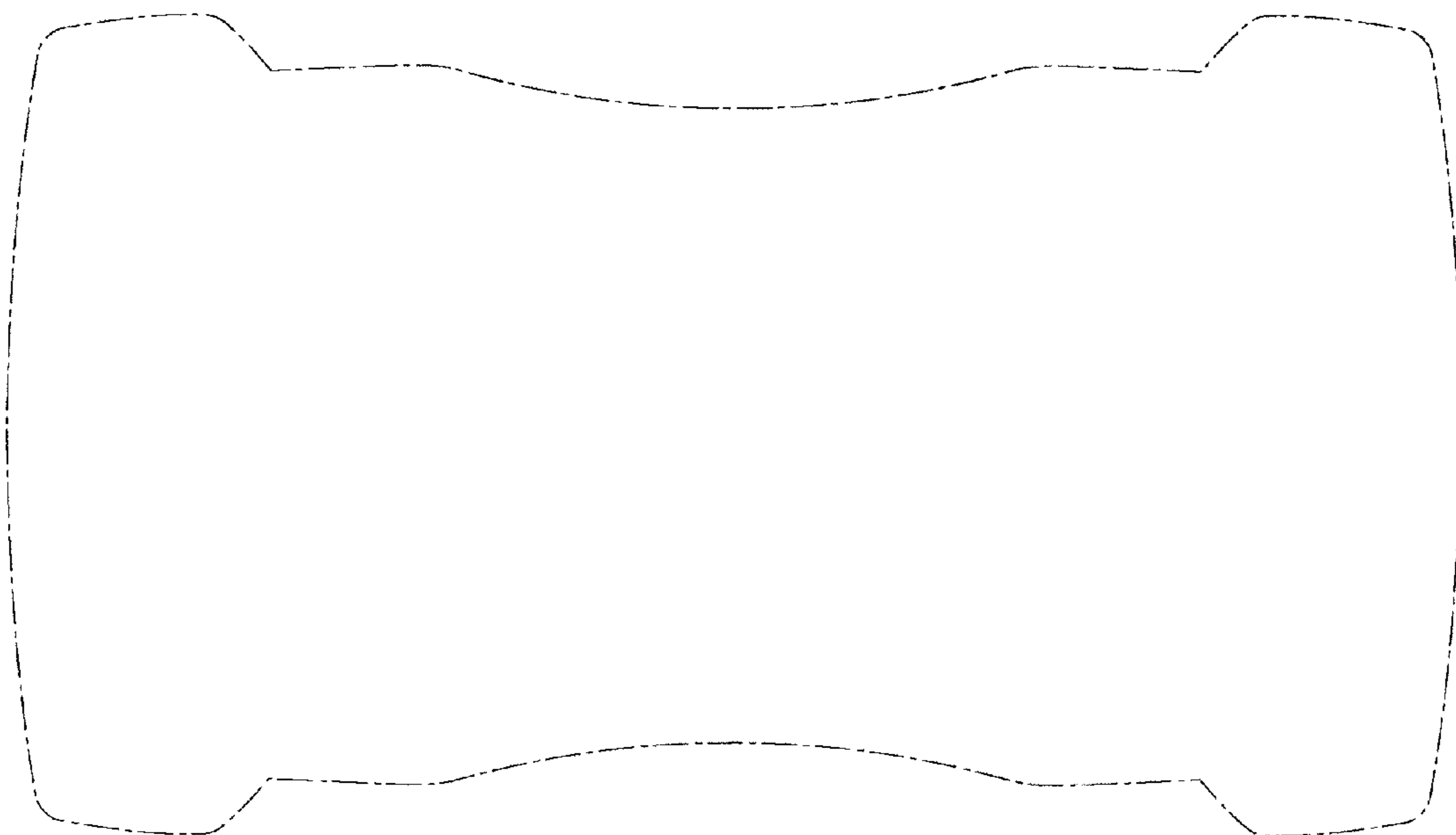


FIG. 7

UNITED STATES PATENT AND TRADEMARK OFFICE
CERTIFICATE OF CORRECTION

PATENT NO. : Des. 602,162 S
APPLICATION NO. : 29/331763
DATED : October 13, 2009
INVENTOR(S) : Dirk Albrecht, Martin Stohr and Ilka Schlesiger

Page 1 of 1

It is certified that error appears in the above-identified patent and that said Letters Patent is hereby corrected as shown below:

On the cover page item (73), delete "Saafeld" and insert --**Saalfeld**--.

Signed and Sealed this

Twenty-third Day of February, 2010

A handwritten signature in black ink that reads "David J. Kappos". The signature is written in a cursive style with a large, prominent 'D' and 'K'.

David J. Kappos
Director of the United States Patent and Trademark Office