



US00D602158S

(12) **United States Design Patent**
Cuevas et al.

(10) **Patent No.:** **US D602,158 S**
(45) **Date of Patent:** **** Oct. 13, 2009**

(54) **BUTTERFLY FLANGE**

FOREIGN PATENT DOCUMENTS

(75) Inventors: **Brian J. Cuevas**, Cumming, GA (US);
Joe Cesa, Cumming, GA (US); **Michael Sleva**, Atlanta, GA (US); **Sam Chan**, Atlanta, GA (US)

GB 1431761 A 4/1976
GB 2102490 A 2/1983
WO WO 2006/087512 8/2006
WO WO 2006/087513 8/2006

(73) Assignee: **Kimberly-Clark Worldwide, Inc.**, Neenah, WI (US)

OTHER PUBLICATIONS

ASTM Designation: D 2240-05, Standard Test Method for Rubber Property—Durometer Hardness, Published Sep. 2005, pp. 1-13.

(**) Term: **14 Years**

Primary Examiner—T. Chase Nelson
Assistant Examiner—Eric L Goodman

(21) Appl. No.: **29/320,497**

(74) *Attorney, Agent, or Firm*—James B. Robinson

(22) Filed: **Jun. 27, 2008**

(57) **CLAIM**

(51) **LOC (9) Cl.** **24-02**

We claim the ornamental design for a butterfly flange, as shown and described.

(52) **U.S. Cl.** **D24/128**

(58) **Field of Classification Search** D24/112,
D24/124, 128, 110.1; 128/207.14–207.17,
128/200.26, 205.24, 207.29; 604/158, 165
See application file for complete search history.

DESCRIPTION

FIG. 1 is a view of the butterfly flange on a tracheostomy tube.
FIG. 2 is a top view of the butterfly flange on a tracheostomy tube.

(56) **References Cited**

U.S. PATENT DOCUMENTS

3,338,992 A 8/1967 Kinney
3,341,394 A 9/1967 Kinney
3,502,763 A 3/1970 Hartmann
3,542,615 A 11/1970 Dobo et al.
3,556,103 A * 1/1971 Calhoun et al. 128/207.29
3,692,618 A 9/1972 Dorschner et al.
3,802,817 A 4/1974 Matsuki et al.
3,849,241 A 11/1974 Butin et al.
4,033,353 A 7/1977 La Rosa
4,041,203 A 8/1977 Brock et al.
4,100,324 A 7/1978 Anderson et al.
4,235,229 A 11/1980 Ranford et al.
4,340,563 A 7/1982 Appel et al.
4,470,176 A 9/1984 Vermeulen et al.

FIG. 3 is a view of the butterfly flange on a tracheostomy tube as seen from the proximal end.

FIG. 4 is a view of the butterfly flange on a tracheostomy tube as seen from the left side.

FIG. 5 is a view of the butterfly flange on a tracheostomy tube as seen from the right side.

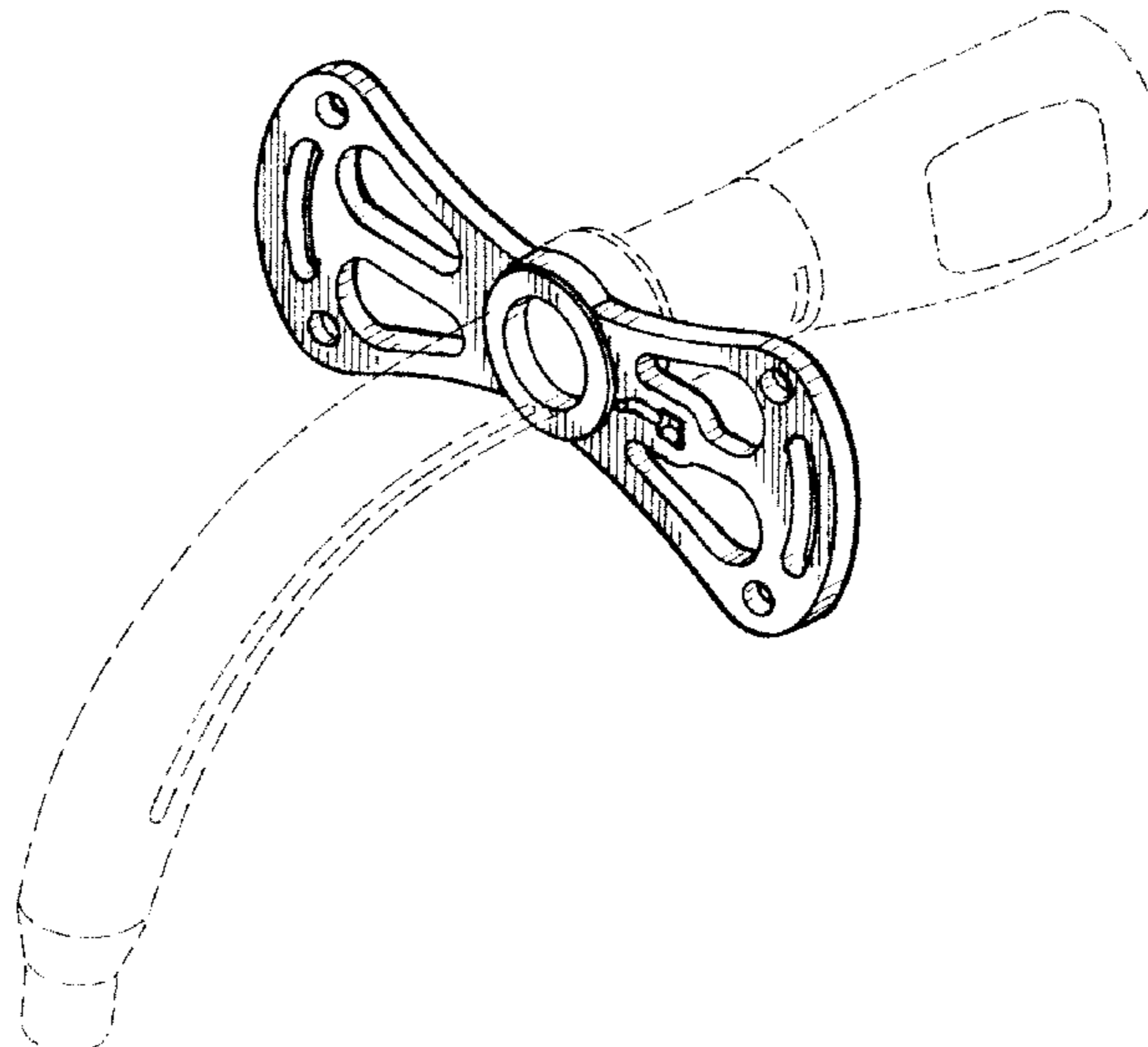
FIG. 6 is a view of the butterfly flange on a tracheostomy tube as seen from the distal side; and,

FIG. 7 is a bottom view of the butterfly flange on a tracheostomy tube.

The broken line showing of a tracheostomy tube is included for the purpose of illustrating environmental structure and forms no part of the claimed design.

(Continued)

1 Claim, 7 Drawing Sheets



US D602,158 S

Page 2

U.S. PATENT DOCUMENTS

4,817,598	A *	4/1989	LaBombard	128/207.14	5,819,734	A	10/1998	Deily et al.	
4,818,464	A	4/1989	Lau			5,839,437	A	11/1998	Briggs, III	
5,145,727	A	9/1992	Potts et al.			6,135,111	A *	10/2000	Mongeon 128/207.15
D332,140	S *	12/1992	La Bombard et al.	D24/129	6,588,428	B2 *	7/2003	Shikani et al. 128/207.16
5,169,706	A	12/1992	Collier, IV et al.			7,093,598	B1	8/2006	Hanneman et al.	
5,178,931	A	1/1993	Perkins et al.			D585,980	S *	2/2009	Cabrera D24/110.1
5,188,885	A	2/1993	Timmons et al.			D586,459	S *	2/2009	Cabrera D24/110.1
5,237,988	A	8/1993	McNeese			2002/0157674	A1 *	10/2002	Shikani et al. 128/207.29
5,251,616	A	10/1993	Desch			2005/0081860	A1	4/2005	Gonzales	
5,419,314	A *	5/1995	Christopher	128/200.26	2005/0166924	A1	8/2005	Thomas et al.	
5,435,306	A *	7/1995	Stuart	128/207.17	2006/0124134	A1	6/2006	Wood	
5,558,081	A *	9/1996	Lipkin	128/200.24	2008/0072911	A1 *	3/2008	Flagler et al. 128/207.14

* cited by examiner

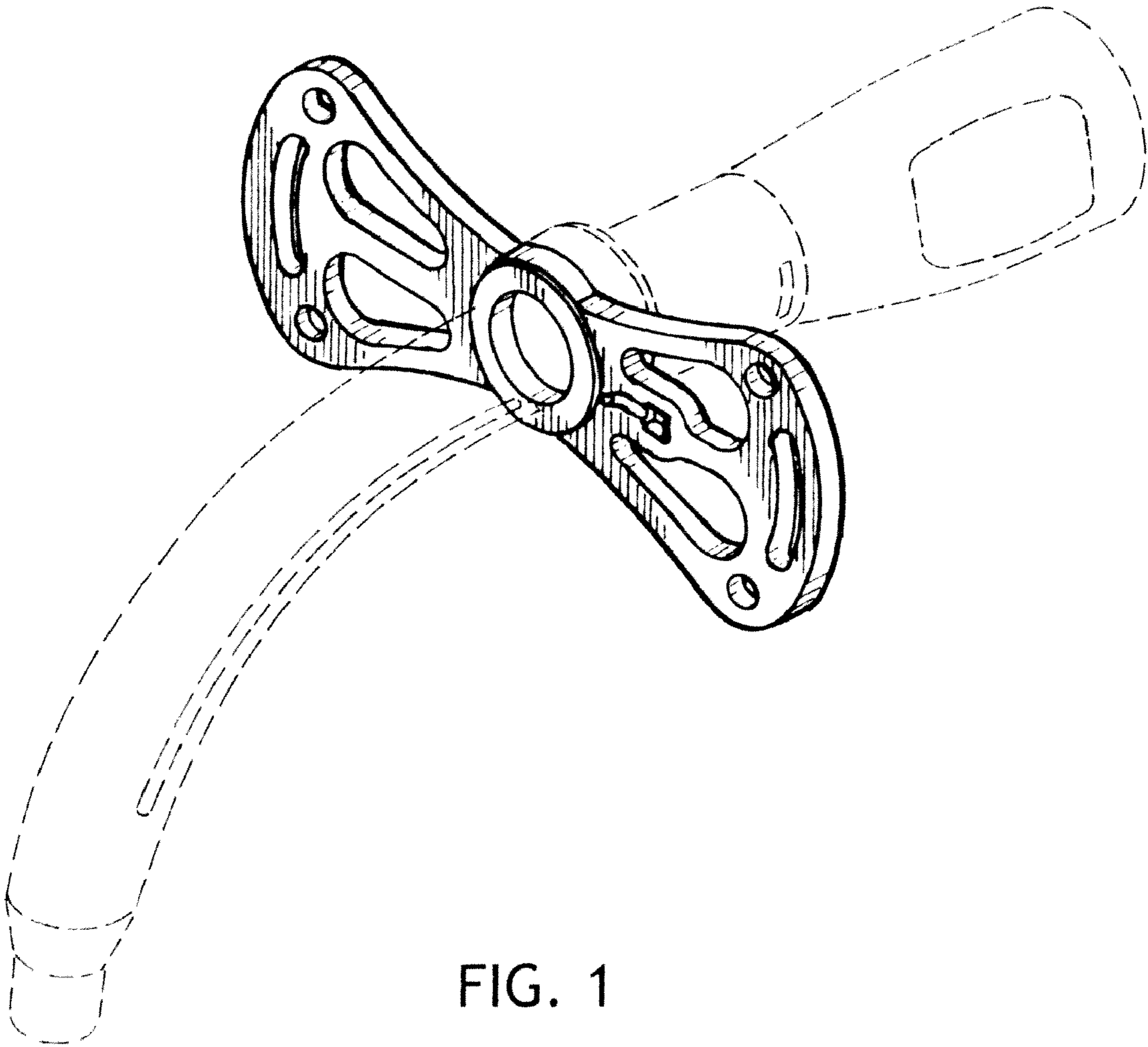


FIG. 1

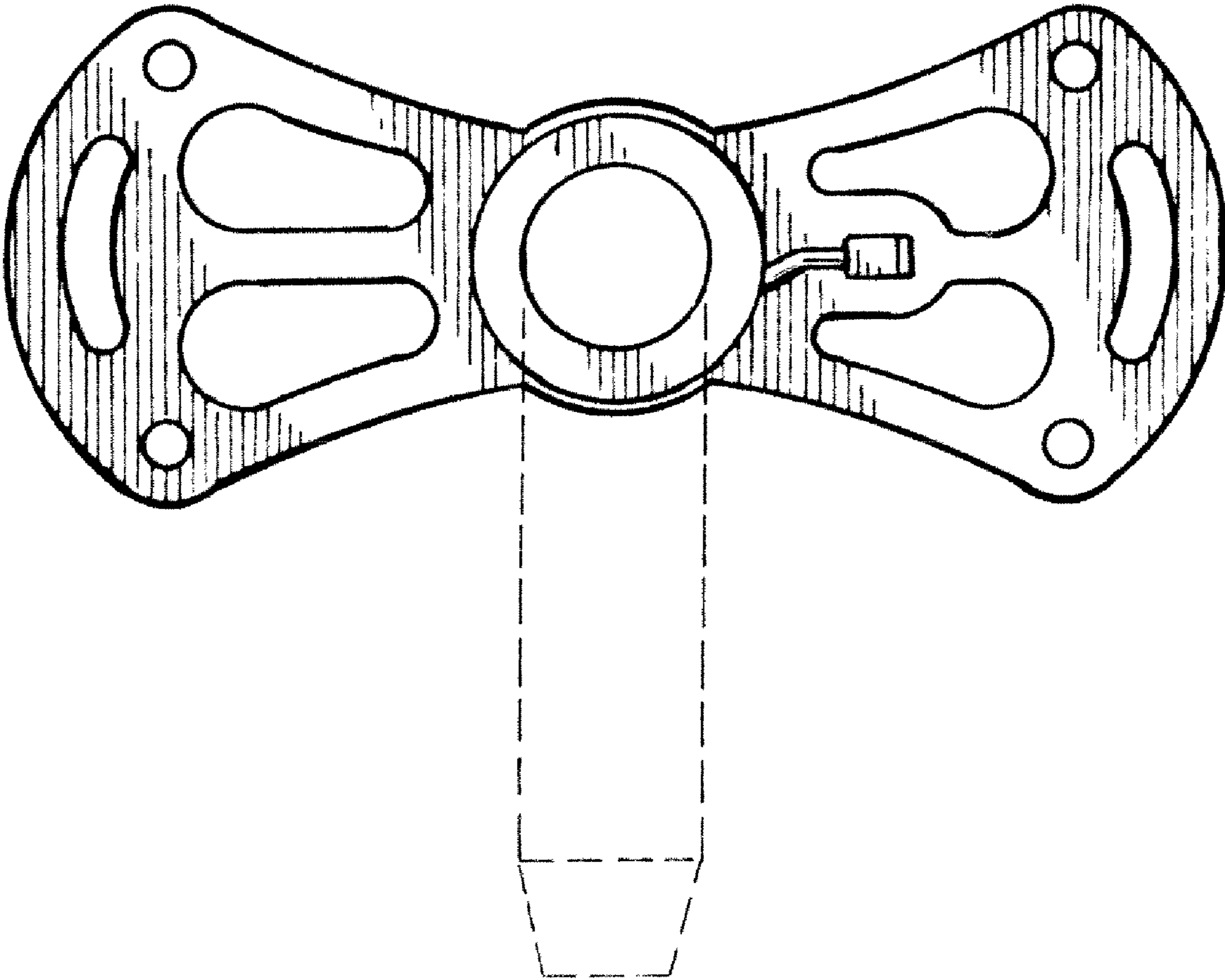


FIG. 2

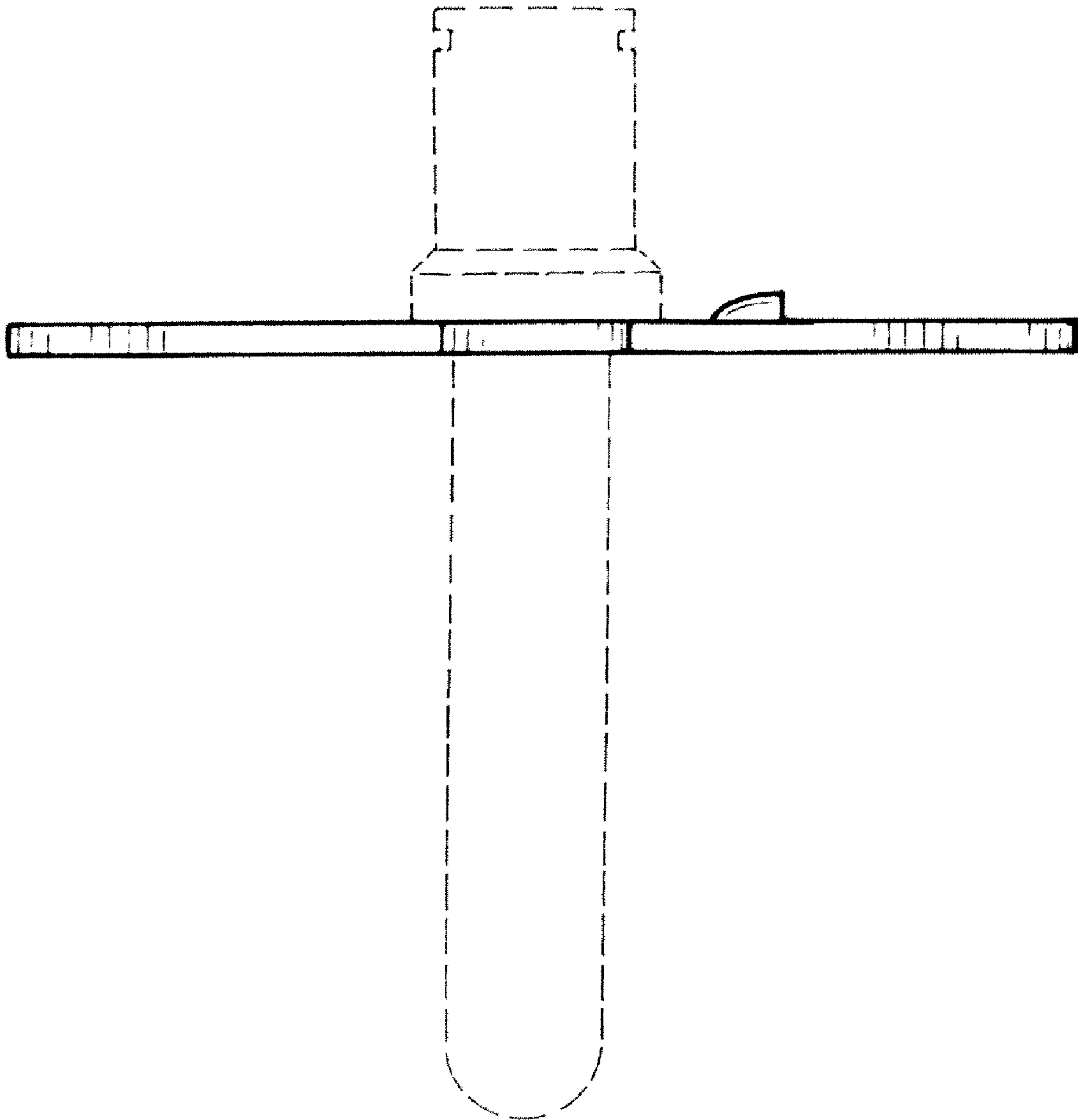


FIG. 3

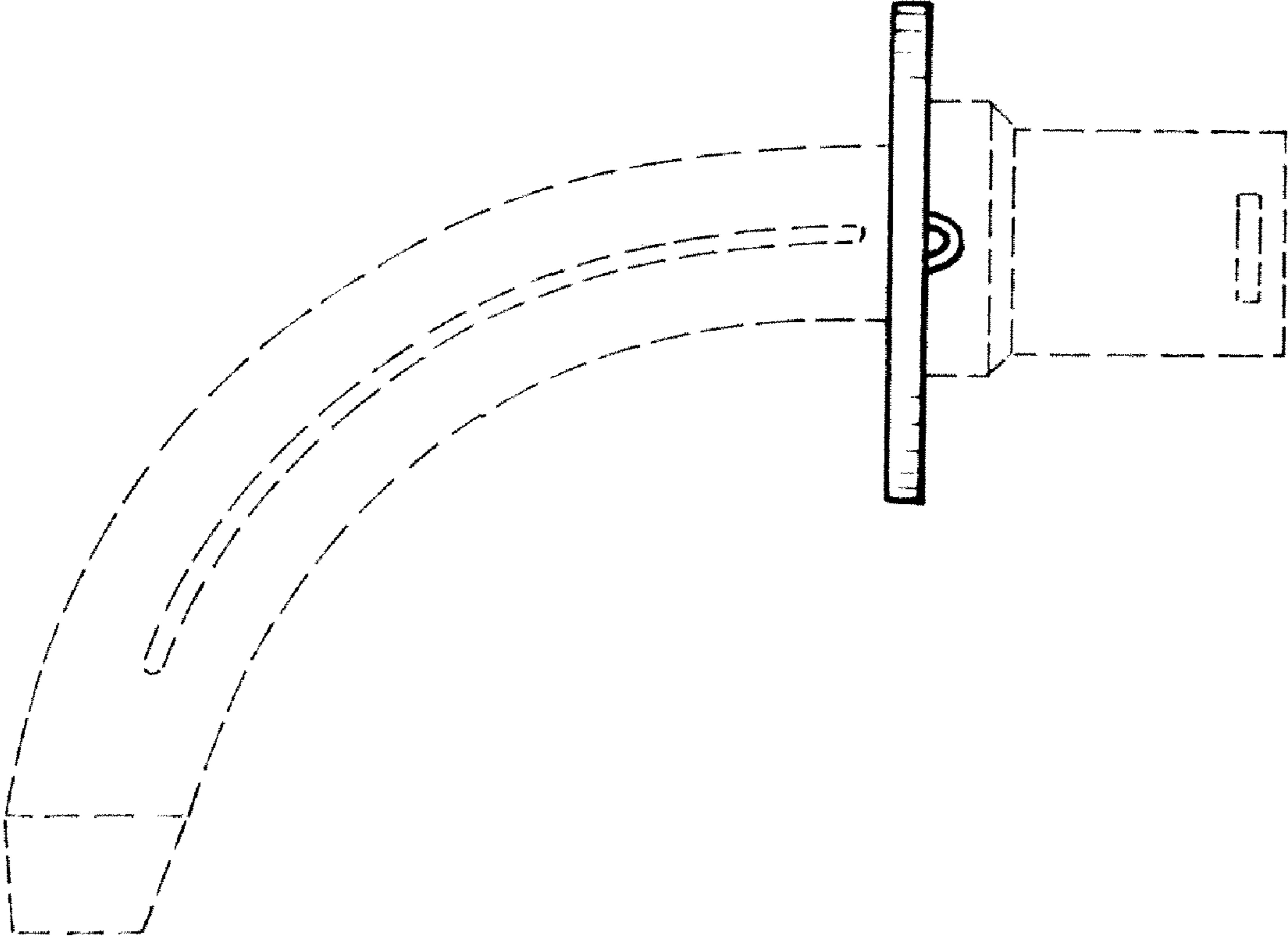


FIG. 4

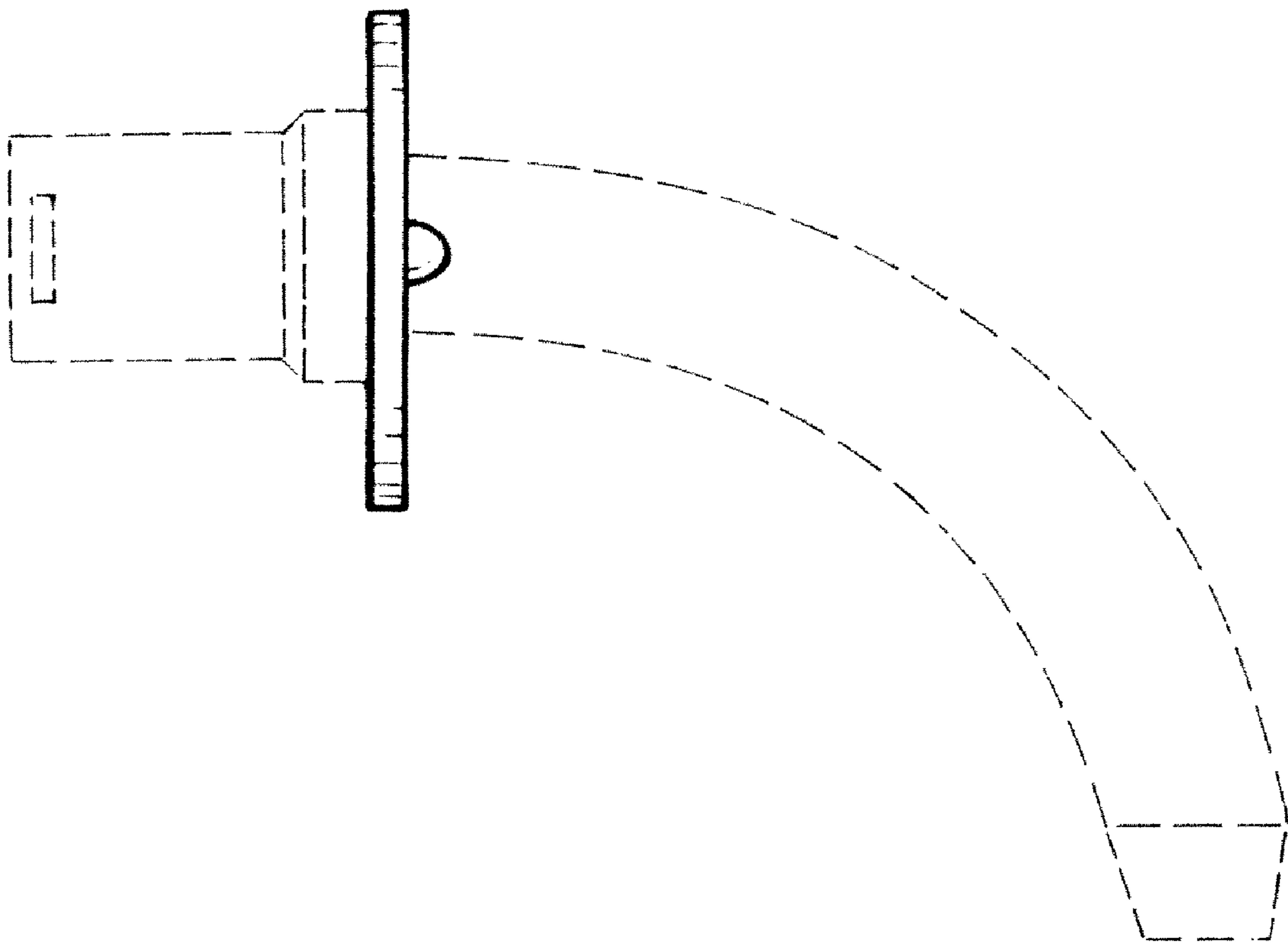


FIG. 5

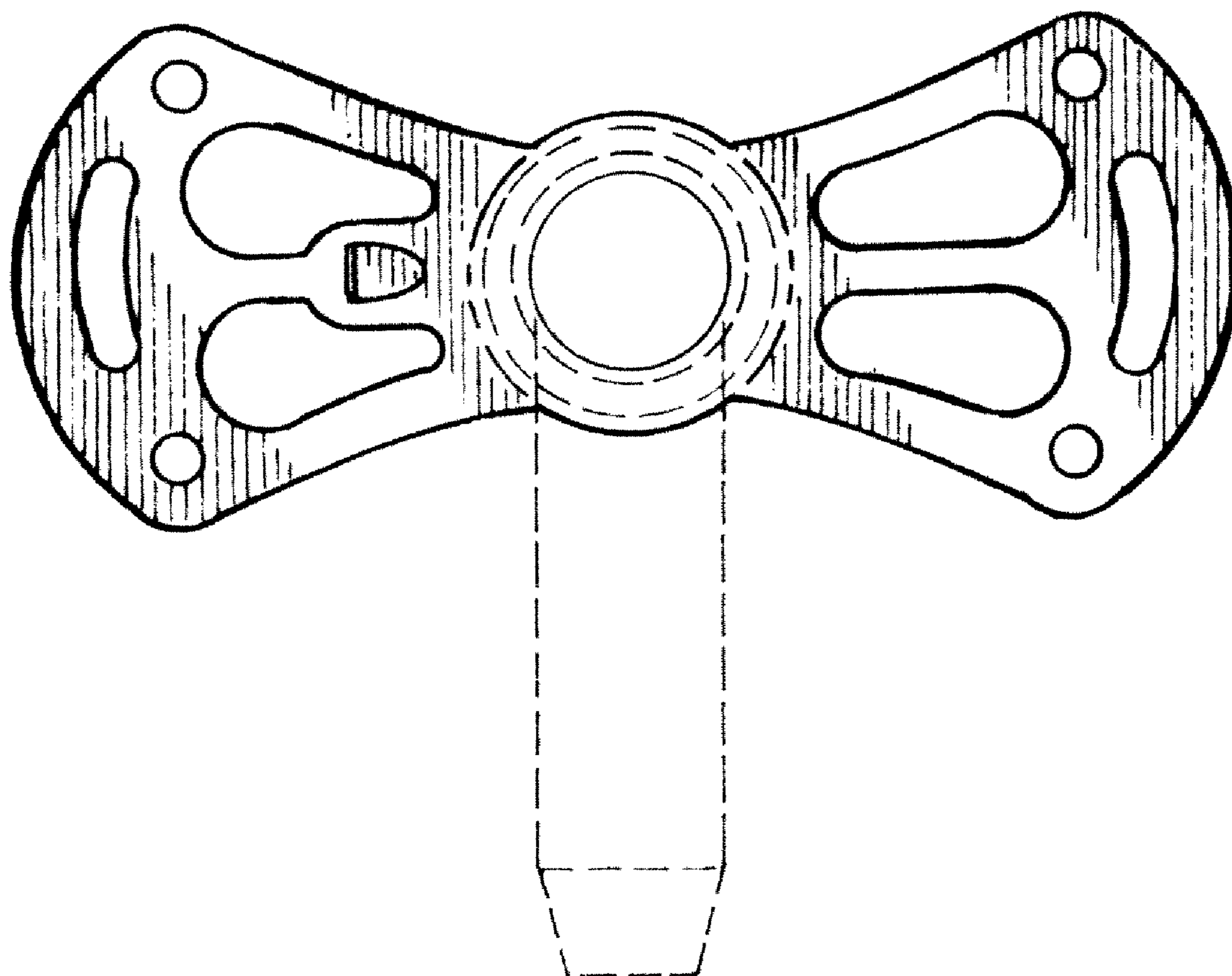


FIG. 6

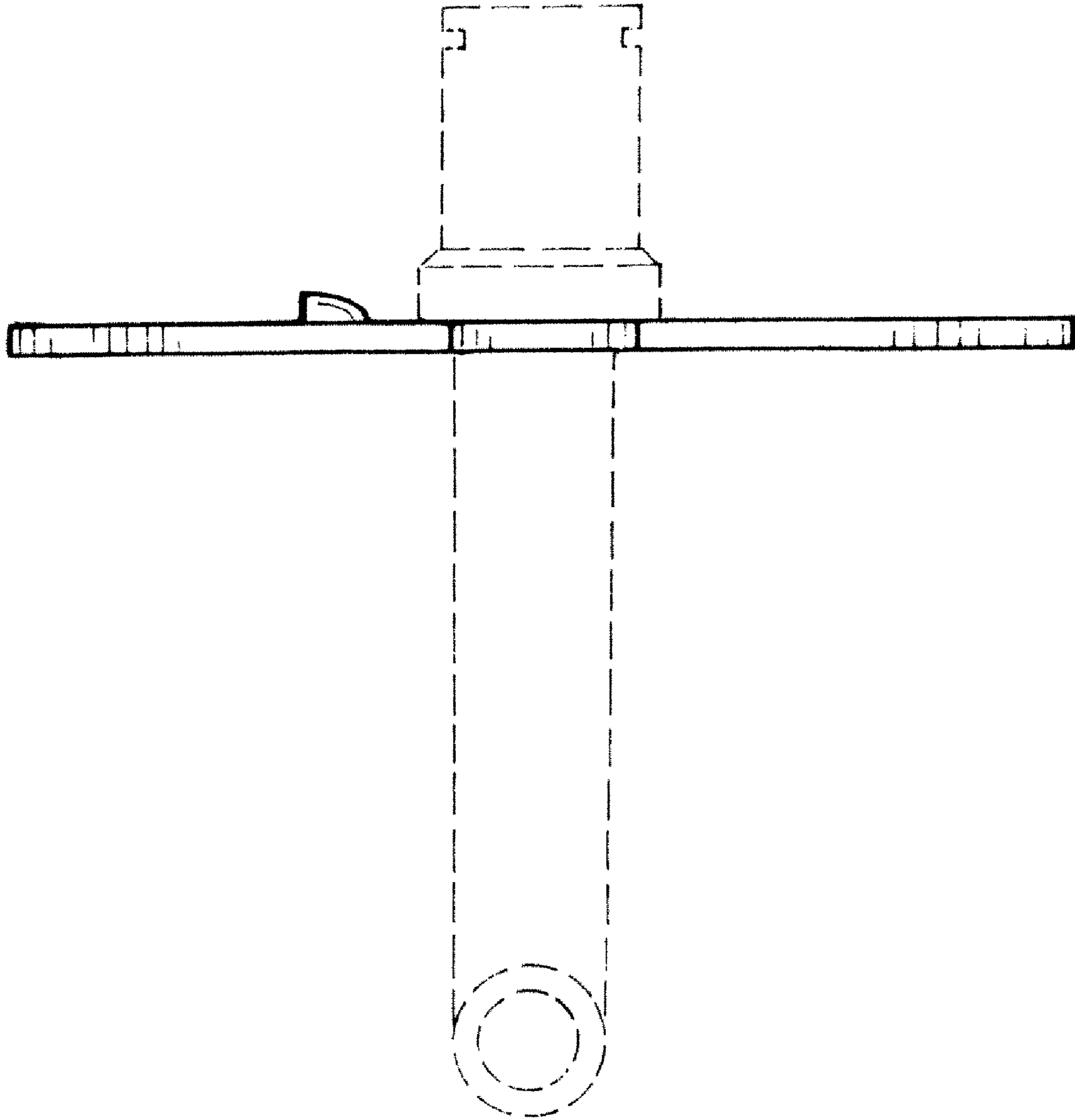


FIG. 7