



US00D602153S

(12) **United States Design Patent**  
**Osterberg**

(10) **Patent No.:** **US D602,153 S**

(45) **Date of Patent:** **\*\* Oct. 13, 2009**

(54) **CONDOM WITH A SPIRALED WALL**

(76) **Inventor:** **Brian Jay Osterberg**, 1801 W. Sheridan St., Apt. #5, Petosky, MI (US) 49770

(\*\*) **Term:** **14 Years**

(21) **Appl. No.:** **29/325,561**

(22) **Filed:** **Oct. 2, 2008**

(51) **LOC (9) Cl.** ..... **24-04**

(52) **U.S. Cl.** ..... **D24/105**

(58) **Field of Classification Search** ..... D24/105;  
128/839-841, 844; 604/347  
See application file for complete search history.

(56) **References Cited**

**U.S. PATENT DOCUMENTS**

2,285,981	A *	6/1942	Johns	.....	2/21
2,586,674	A	2/1952	Lonne		
3,809,090	A *	5/1974	Povlacs et al.	.....	604/347
D252,949	S	9/1979	Okamoto		
4,919,149	A	4/1990	Stang		
5,109,871	A *	5/1992	Thornton	.....	128/844
5,623,945	A *	4/1997	Shecterle et al.	.....	128/842
5,836,308	A	11/1998	Alla et al.		
5,885,205	A	3/1999	Kassman		
6,000,398	A *	12/1999	Alla et al.	.....	128/844
D420,127	S	2/2000	Rudge et al.		
D426,311	S *	6/2000	Horowitz et al.	.....	D24/215
D434,138	S *	11/2000	DeVries	.....	D24/105

6,308,708	B2	10/2001	Strauss et al.		
7,086,403	B2	8/2006	Harrison et al.		
2007/0186935	A1 *	8/2007	Wang et al.	.....	128/844
2008/0047564	A1 *	2/2008	Badea	.....	128/844

\* cited by examiner

*Primary Examiner*—Charles A Rademaker

*Assistant Examiner*—Charles D Hanson

(74) *Attorney, Agent, or Firm*—Gifford, Krass, Sprinkle, Anderson & Citkowski, P.C.

(57) **CLAIM**

I claim the ornamental design for a condom with a spiraled wall, as shown and described.

**DESCRIPTION**

FIG. 1 is a view of the condom with a spiraled wall according to the design;

FIG. 2 is a view of the opposite side of the design, relative to the view of FIG. 1;

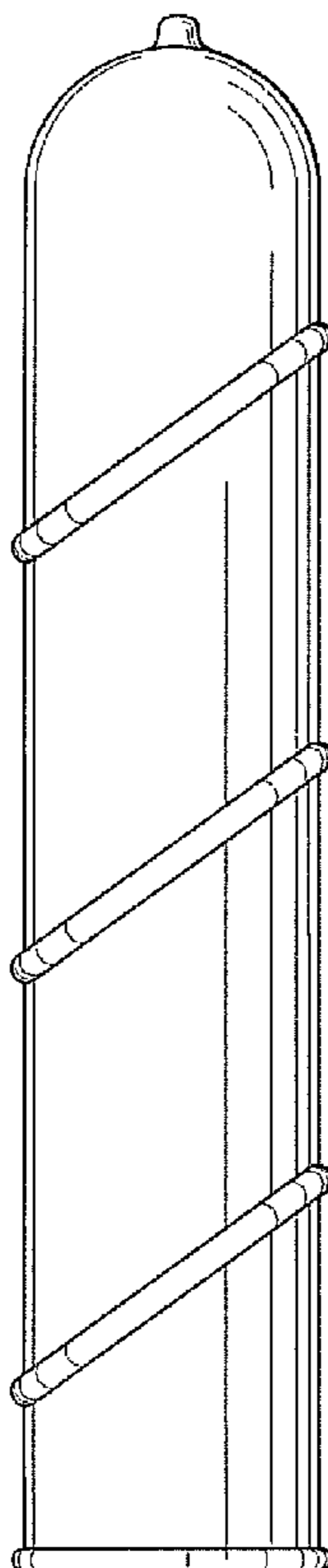
FIG. 3 is a view of the right side of the design, relative to the view of FIG. 1;

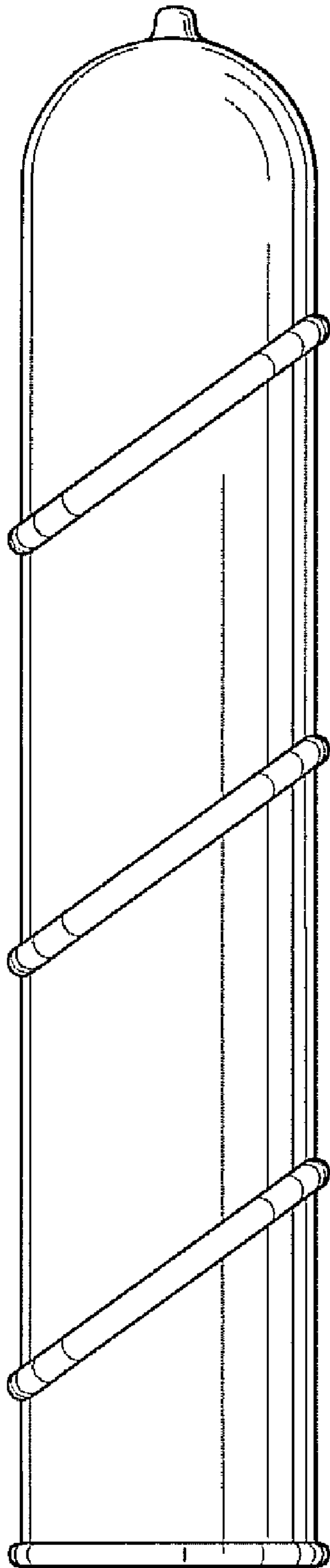
FIG. 4 is a view of the left side of the design, relative to the view of FIG. 1;

FIG. 5 is a top view of the design; and,

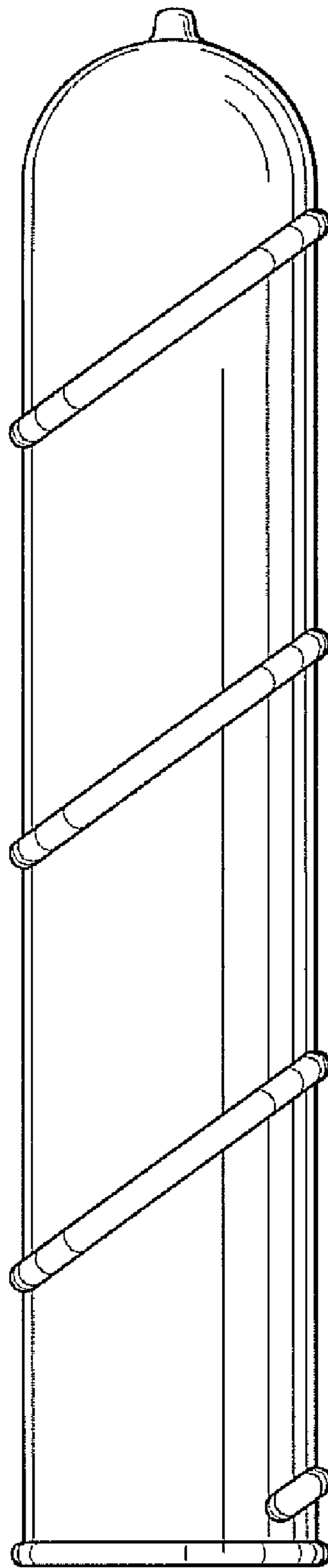
FIG. 6 is a bottom view of the design.

**1 Claim, 2 Drawing Sheets**

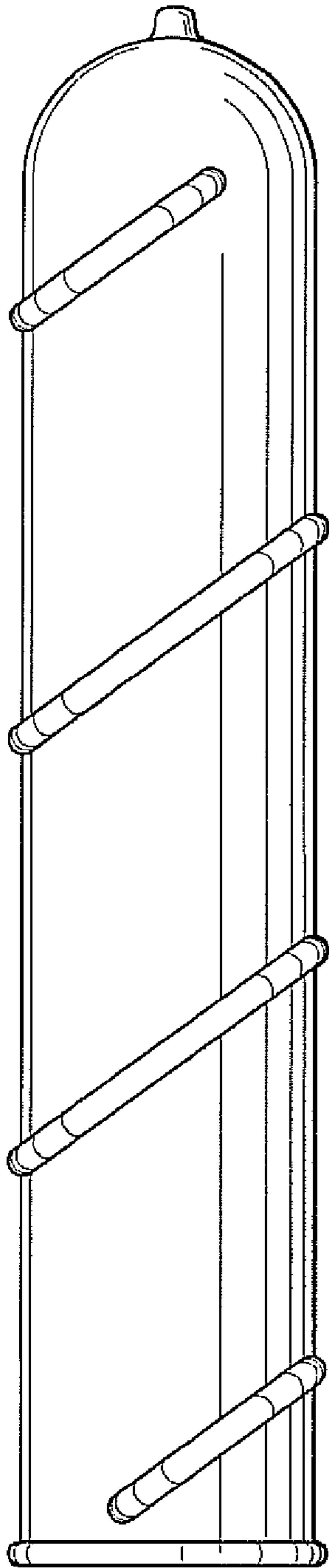




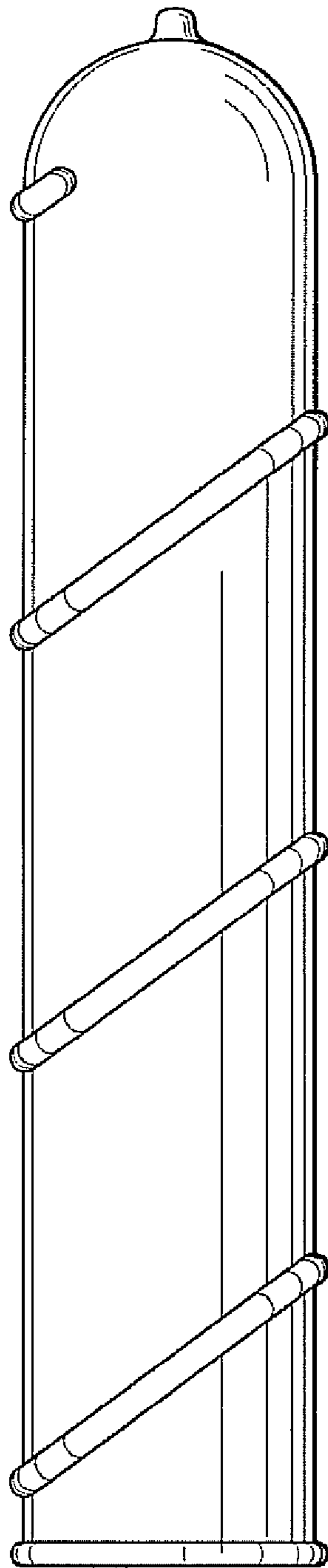
**FIG - 1**



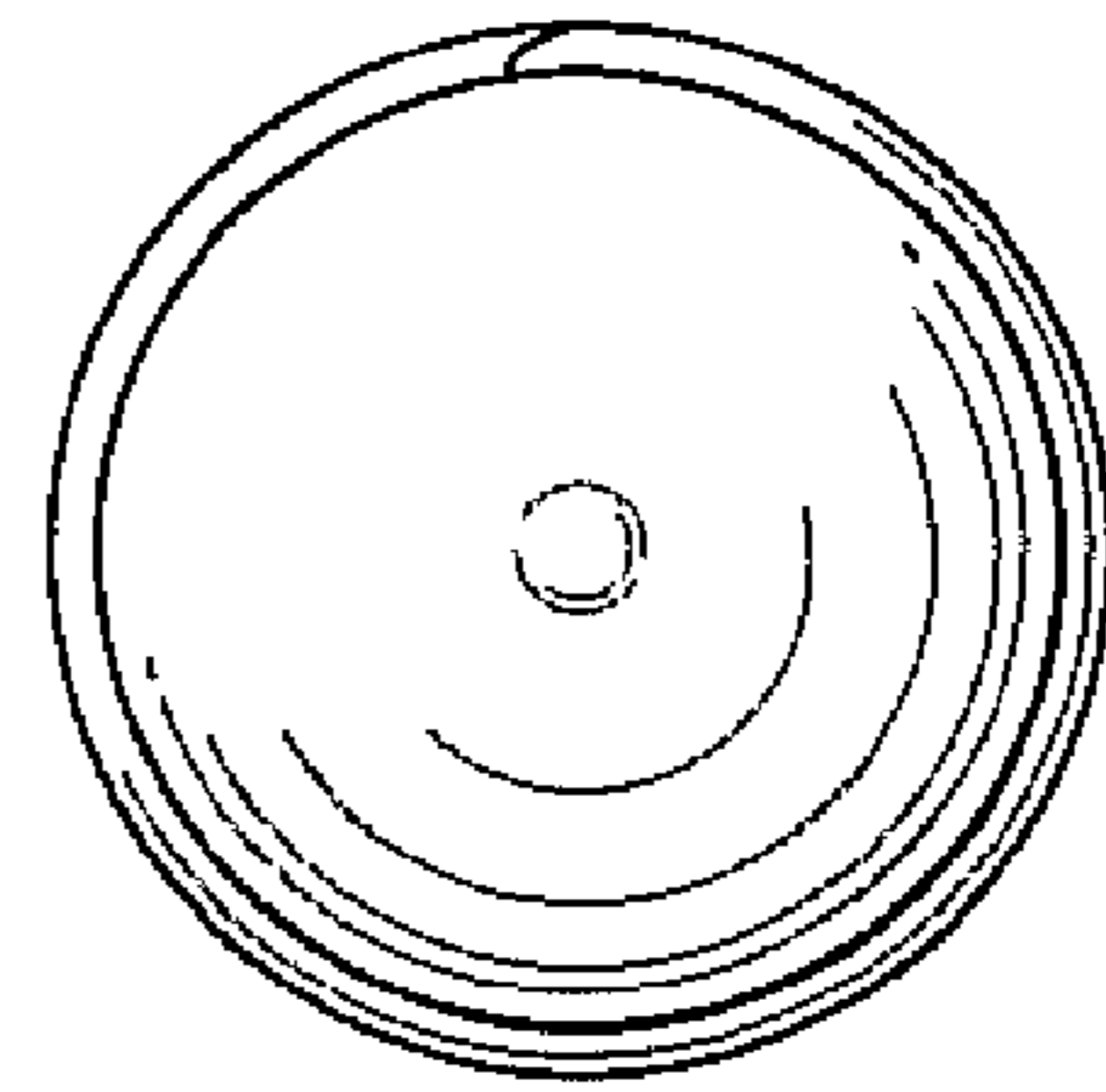
**FIG - 2**



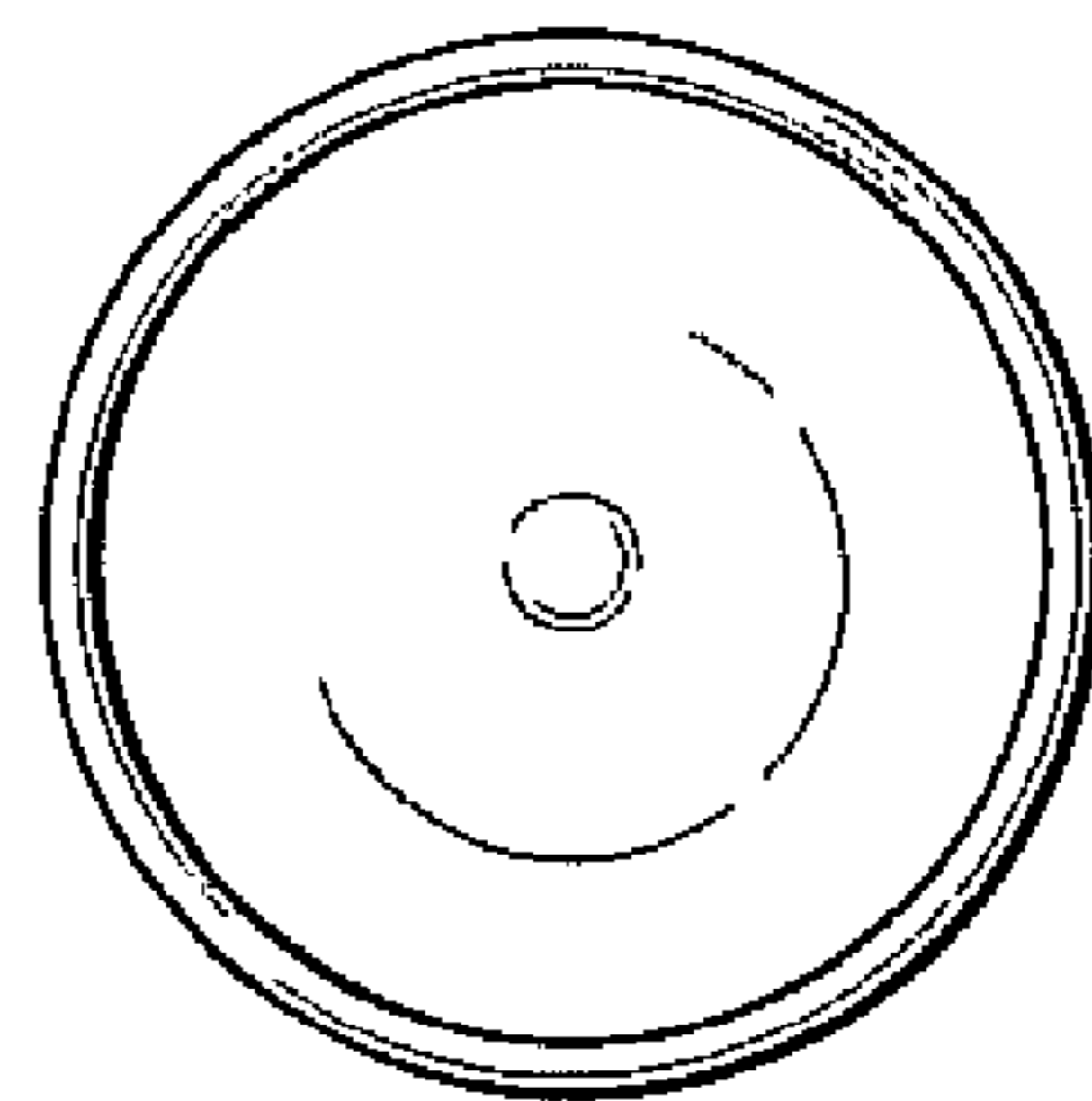
**FIG - 3**



**FIG - 4**



**FIG - 5**



**FIG - 6**