



US00D602148S

(12) **United States Design Patent**
DeFouw et al.

(10) **Patent No.:** **US D602,148 S**
(45) **Date of Patent:** **** Oct. 13, 2009**

(54) **GAS FIREPIT**
(75) Inventors: **Douglas J. DeFouw**, Moore, SC (US);
Marshall H. Mullins, Scottsdale, AZ
(US)
(73) Assignee: **Agio International Company, Ltd.**,
Hong Kong (HK)
(**) Term: **14 Years**
(21) Appl. No.: **29/307,531**
(22) Filed: **Apr. 25, 2008**

Related U.S. Application Data

(63) Continuation of application No. 29/288,664, filed on
Jun. 19, 2007.

(51) **LOC (9) Cl.** **23-03**
(52) **U.S. Cl.** **D23/403**
(58) **Field of Classification Search** D23/314,
D23/32, 403-410, 415-422, 343, 345, 347-350,
D23/373, 374, 393, 499; D7/332, 333, 335,
D7/402, 407, 408; 52/58, 218, 219; 126/9 A,
126/9 B, 9 R, 39 H, 39 R, 58, 144, 215, 218,
126/219, 245, 500, 509, 510, 519, 540, 544,
126/546, 547, 555; 150/154, 165; 428/15,
428/21, 102; 454/12; D6/486, 495
See application file for complete search history.

(56) **References Cited**

U.S. PATENT DOCUMENTS

3,491,744 A * 1/1970 Von Kohorn, Jr. et al. . 126/25 R
3,494,308 A * 2/1970 Perrin 108/150
3,822,078 A * 7/1974 Spadolini 297/140
3,830,217 A 8/1974 Maness et al.
D233,088 S * 10/1974 Skarky D6/423
3,980,027 A * 9/1976 Maes 108/103
4,126,719 A 11/1978 Koyanagi et al.
D258,259 S * 2/1981 Lindholm D7/332
D285,760 S * 9/1986 Milling D6/486
4,635,612 A 1/1987 Kakubari et al.

4,635,614 A 1/1987 Segroves
4,662,349 A 5/1987 McKenzie et al.
D291,394 S * 8/1987 Dunwell D6/487
D297,290 S * 8/1988 Close D6/429
4,788,905 A 12/1988 Von Kohorn
4,840,128 A 6/1989 McFarlane et al.
D302,215 S * 7/1989 Fontanelli D6/335
D306,108 S * 2/1990 Grosfillex D6/486
D316,639 S * 5/1991 Adler D6/429
D329,768 S * 9/1992 Intardonato D6/495
5,156,140 A 10/1992 Zisman
5,168,796 A 12/1992 Porton et al.
5,183,027 A 2/1993 Saldana
D361,467 S * 8/1995 Kabayama D7/334
5,479,916 A 1/1996 Shimek et al.
5,655,435 A 8/1997 Rachesky
D390,935 S * 2/1998 Bosje et al. D23/332
5,738,084 A 4/1998 Hussong
D394,779 S * 6/1998 Hilvitz D7/335
5,960,782 A 10/1999 Clements et al.
6,024,082 A 2/2000 Straubel et al.

(Continued)

Primary Examiner—T. Chase Nelson
Assistant Examiner—Karen Acker
(74) *Attorney, Agent, or Firm*—Williams Mullen

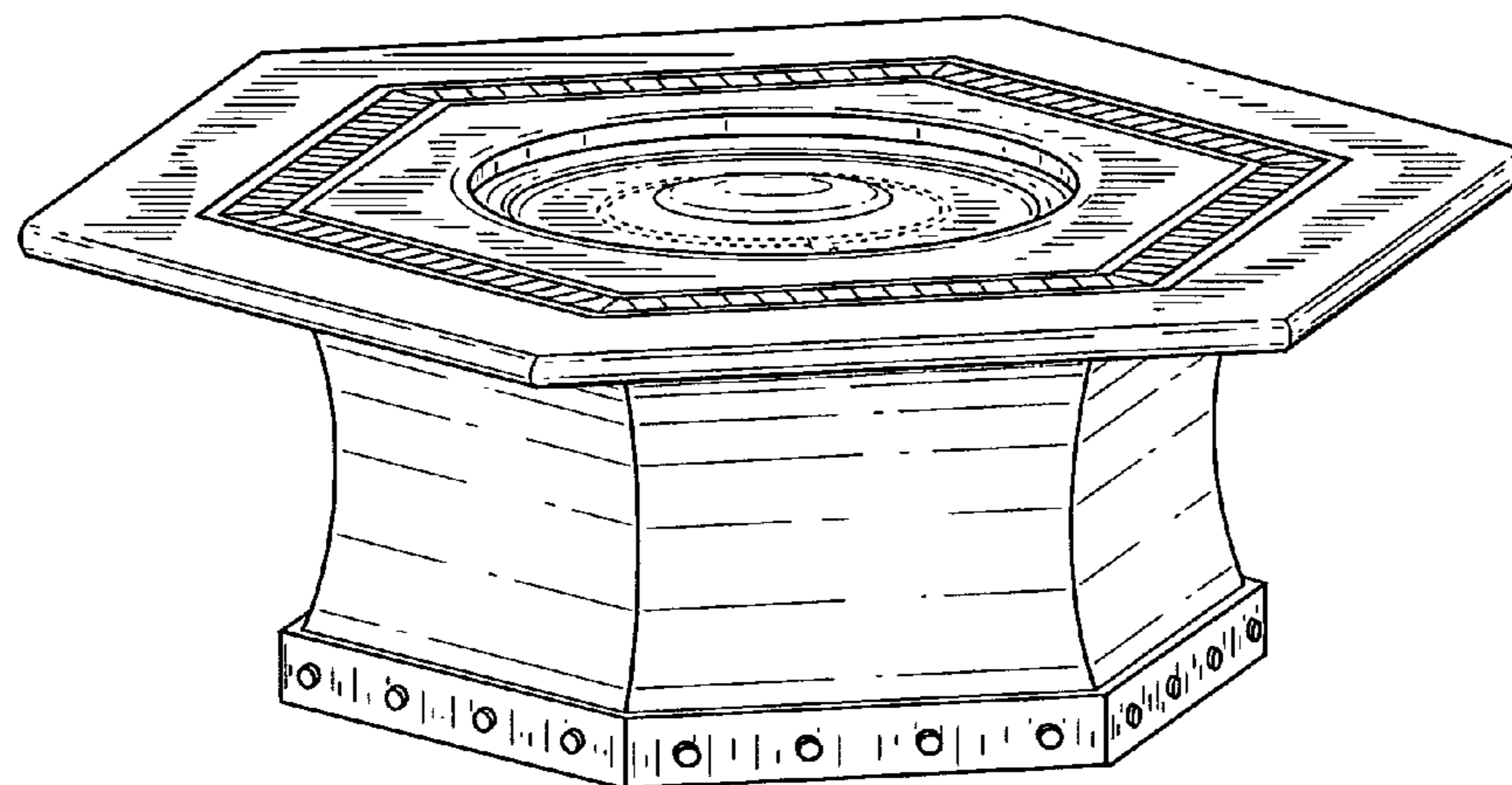
(57) **CLAIM**

The ornamental design for a gas firepit, as shown and
described.

DESCRIPTION

FIG. 1: is a perspective view;
FIG. 2: is a top view;
FIG. 3: is a side view;
FIG. 4: is a side view without the top; and,
FIG. 5: is a side view without the top and with the door open.
The portions of the gas firepit shown in broken lines are
included for the purpose of showing the design in a condition
of use and form no part of the claimed design.

1 Claim, 3 Drawing Sheets



US D602,148 S

Page 2

U.S. PATENT DOCUMENTS

6,065,466	A	5/2000	Baykal				
D431,133	S *	9/2000	Lewis	D6/486			
D434,125	S *	11/2000	Remeyer	D23/322			
6,142,143	A	11/2000	Martin				
D434,601	S *	12/2000	Lewis et al.	D7/407			
6,196,213	B1	3/2001	Van Der Woude				
D440,289	S *	4/2001	Olson et al.	D23/350			
6,253,760	B1	7/2001	Mashburn et al.				
6,264,868	B1	7/2001	Marchant				
6,293,272	B1	9/2001	Harneit				
D449,490	S *	10/2001	Frederick	D7/332			
D454,400	S *	3/2002	Nored	D24/234			
6,354,288	B1 *	3/2002	McDonald	126/519			
6,403,004	B1	6/2002	Stecker				
D466,340	S *	12/2002	Diaz-Azcuy	D6/495			
D468,368	S *	1/2003	Jones	D21/397			
6,598,598	B1 *	7/2003	Bratsikas	126/25 R			
6,609,514	B1	8/2003	Bertolas				
6,640,803	B2	11/2003	Davis et al.				
6,694,967	B2	2/2004	Stephen et al.				
6,736,132	B2	5/2004	Schlosser et al.				
6,769,906	B1 *	8/2004	Grove et al.	431/326			
6,790,033	B2	9/2004	Grady et al.				
6,851,423	B2	2/2005	Klemming				
6,869,278	B2	3/2005	Streit				
6,926,517	B2 *	8/2005	Van Vleet	431/125			
6,951,214	B2 *	10/2005	Beech	126/273.5			
7,124,694	B2 *	10/2006	Li	108/50.12			
7,175,424	B2	2/2007	Frink et al.				
D542,570	S *	5/2007	Tabashi	D6/488			
D545,093	S *	6/2007	Mullins	D6/511			
7,234,932	B2	6/2007	Streit				
7,263,991	B2	9/2007	Schlosser et al.				
D562,599	S *	2/2008	Everson et al.	D6/486			
D578,194	S *	10/2008	DeFouw	D23/343			
2002/0033172	A1	3/2002	Ruiz				
2003/0029443	A1	2/2003	Davis et al.				
2003/0075166	A1	4/2003	Glass				
2003/0188735	A1	10/2003	Yang				
2004/0211410	A1	10/2004	Kuelbs				
2004/0255930	A1	12/2004	Klemming				
2005/0126556	A1	6/2005	Bossler				
2006/0054160	A1	3/2006	Borowske				
2007/0128562	A1	6/2007	Thomas				

* cited by examiner

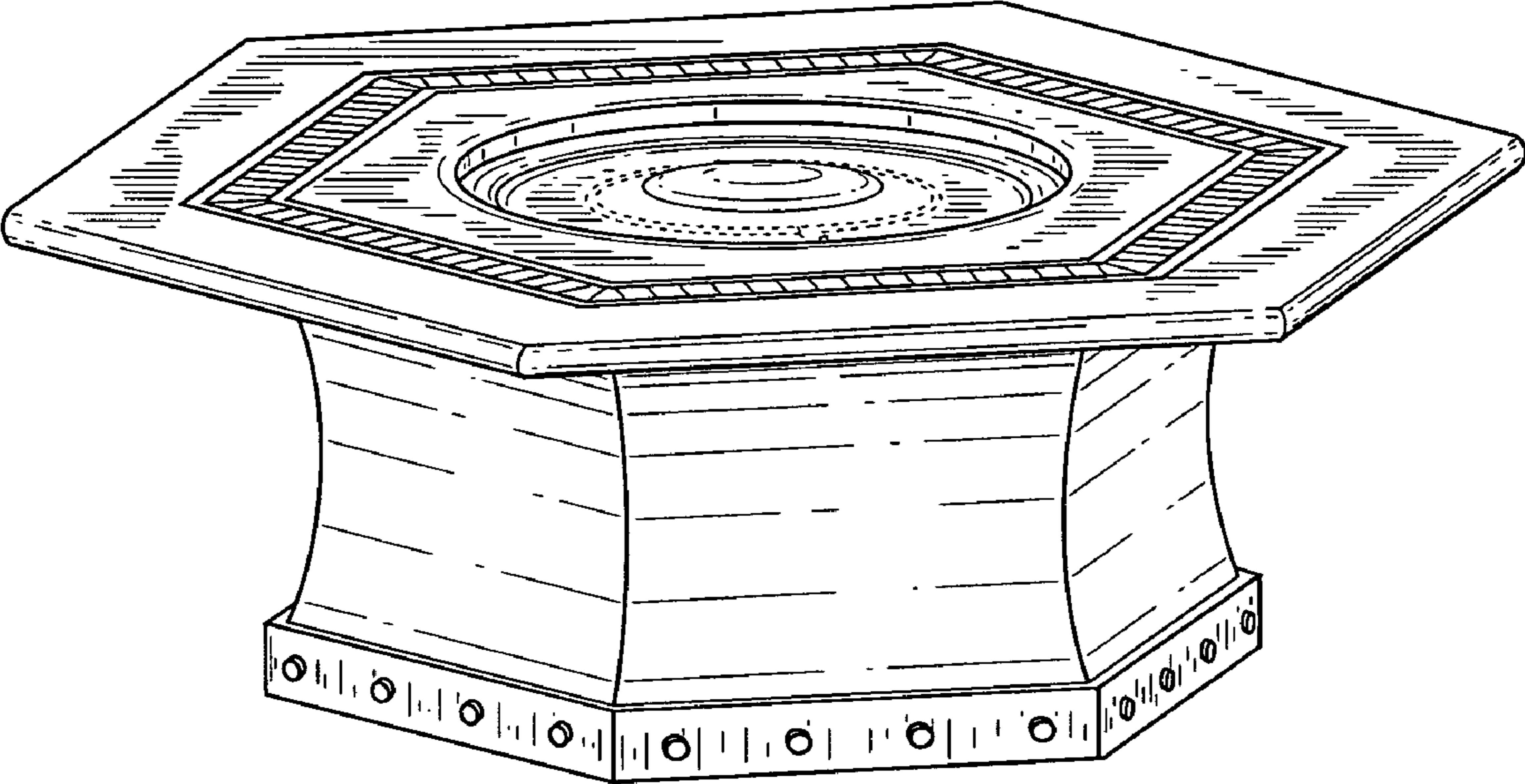


FIG. 1

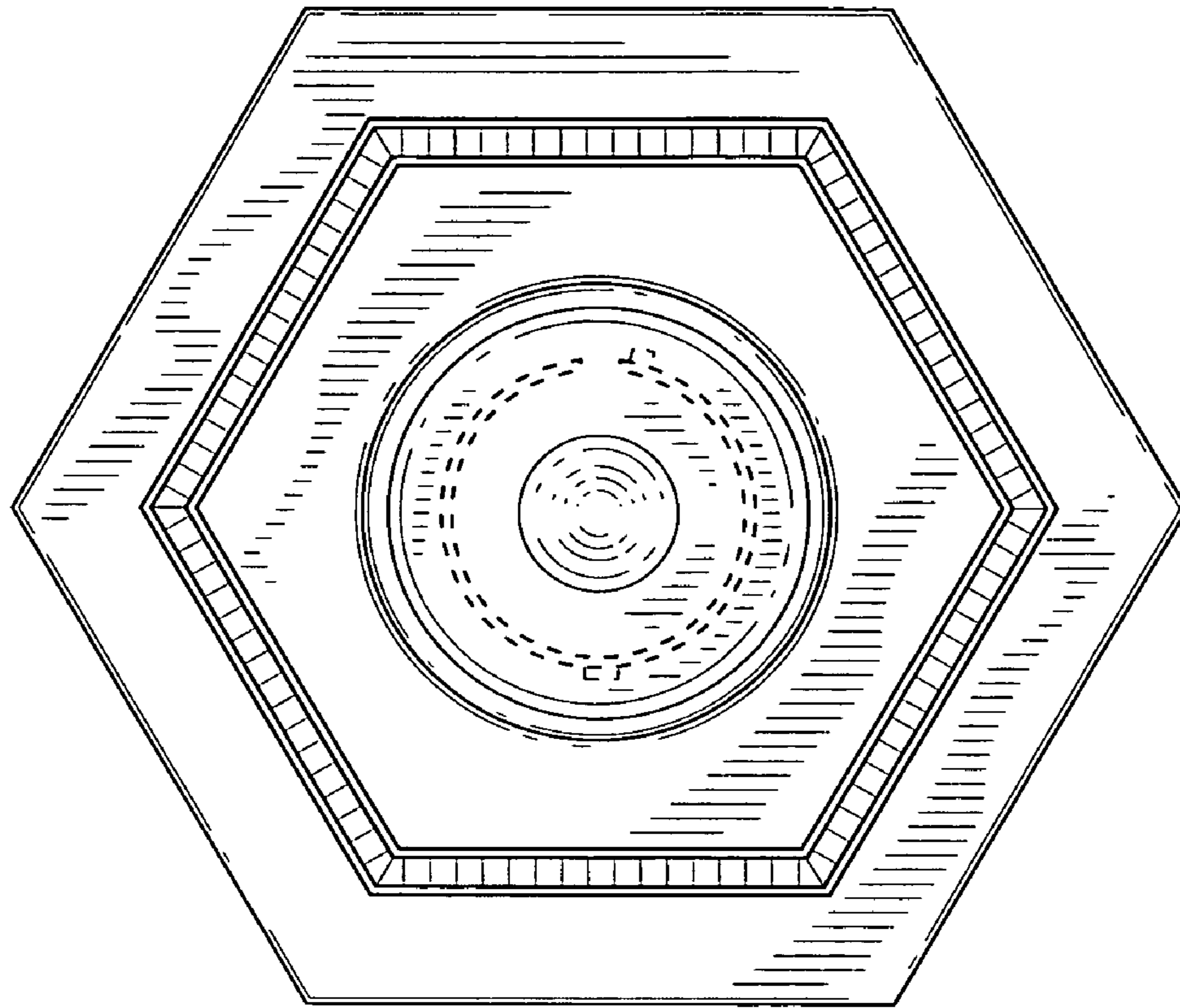


FIG. 2

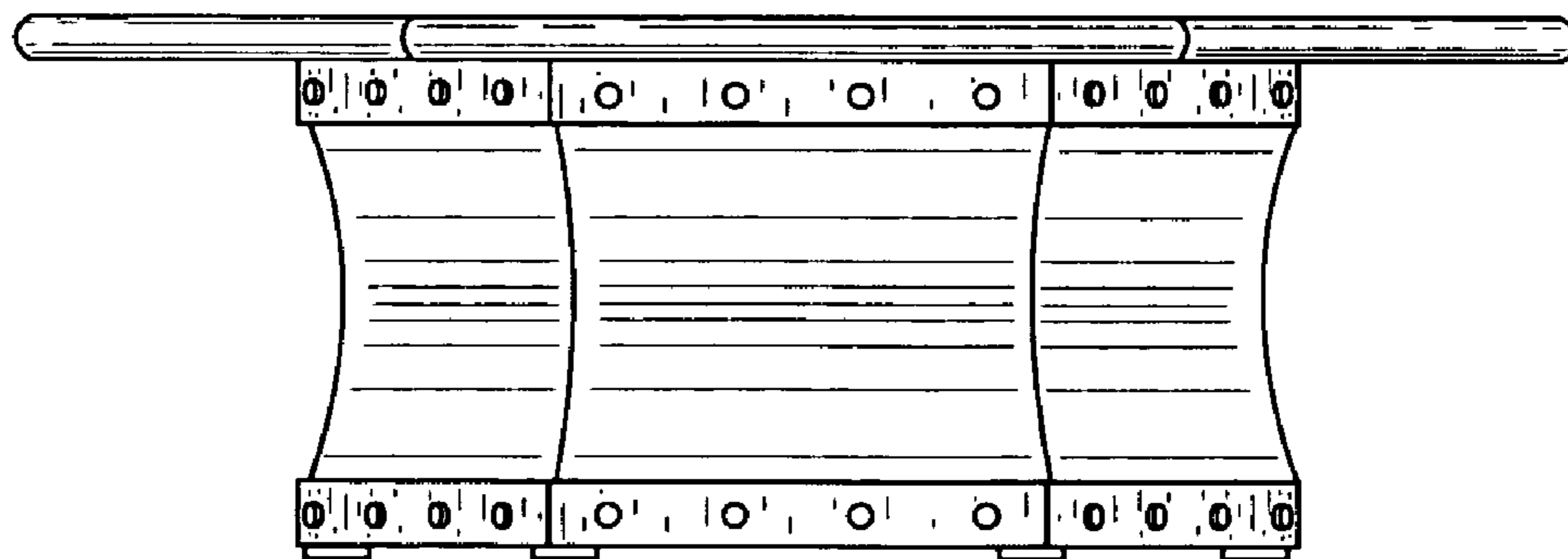


FIG. 3

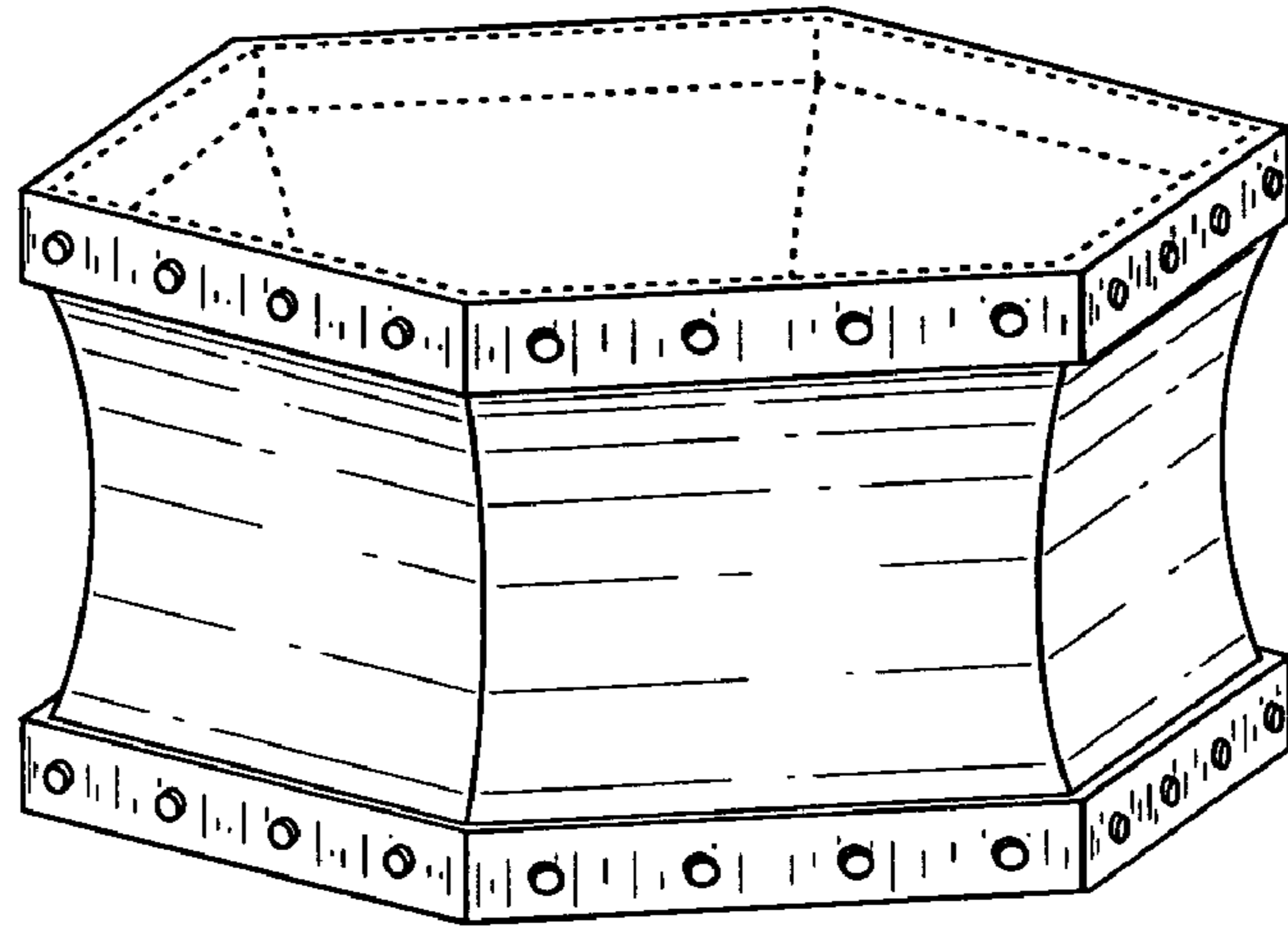


FIG. 4

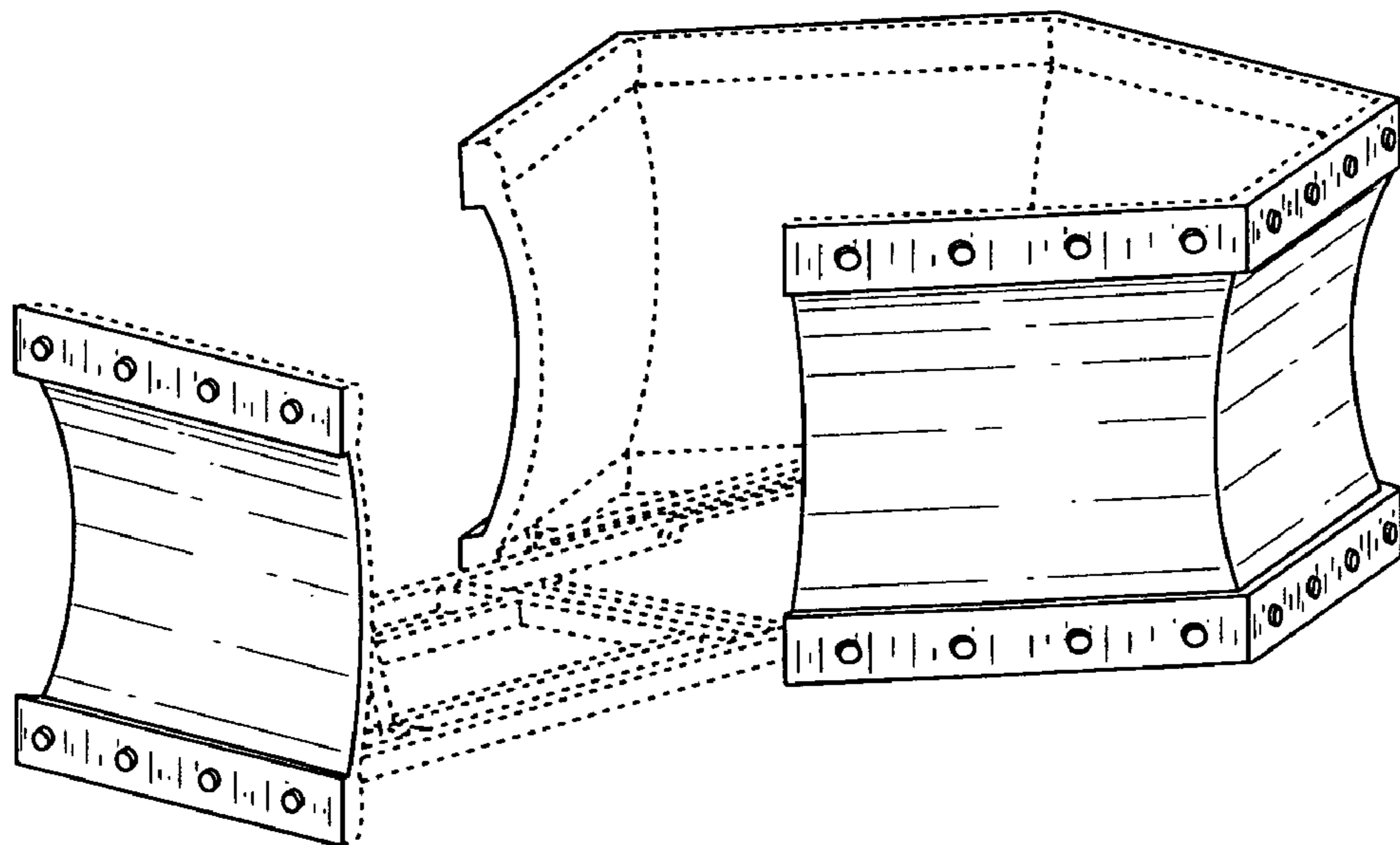


FIG. 5