



US00D602147S

(12) **United States Design Patent**
Lucero

(10) **Patent No.:** **US D602,147 S**
(45) **Date of Patent:** **** Oct. 13, 2009**

(54) **ROOFTOP VENT CLASP**

(76) Inventor: **John Lucero**, 2005 N. Hicks Ave., Los Angeles, CA (US) 90032

(**) Term: **14 Years**

(21) Appl. No.: **29/306,115**

(22) Filed: **Apr. 2, 2008**

Related U.S. Application Data

(63) Continuation-in-part of application No. 29/277,755, filed on Mar. 8, 2007, now Pat. No. Des. 566,825.

(51) **LOC (9) Cl.** **23-04**

(52) **U.S. Cl.** **D23/386**

(58) **Field of Classification Search** D23/386,
D23/393, 373, 370, 371, 387, 391, 376; D8/349,
D8/366, 377, 381, 382, 354, 383, 394, 395,
D8/373; 52/198, 199, 302.1, 57, 473, 86,
52/60, 530, 12; D25/119, 60; 454/242, 367,
454/368; 248/222.11, 222.12, 231.81, 316.7;
160/223

See application file for complete search history.

(56) **References Cited**

U.S. PATENT DOCUMENTS

2,792,581	A *	5/1957	Woyton	248/316.7
3,264,793	A *	8/1966	Schlensker	52/530
4,340,106	A *	7/1982	Van Horn, II	248/222.11
D270,574	S *	9/1983	Black	D8/354
D288,171	S *	2/1987	Dey	D8/366
D288,282	S *	2/1987	Sheets	D8/373
D293,885	S *	1/1988	Carlmark	D8/395
D295,080	S *	4/1988	Willan	D25/60
4,750,300	A *	6/1988	Winger, Jr.	52/12
D312,038	S *	11/1990	Sachs	D8/354
D318,608	S *	7/1991	Schenker	D8/382
D376,805	S *	12/1996	Johansson	D8/349
D376,972	S *	12/1996	Zissu	D8/354
D378,748	S *	4/1997	Miller	D8/354
D391,915	S *	3/1998	Miller	D8/354
D409,077	S *	5/1999	Brooks	D8/354

6,073,899	A *	6/2000	Omrani	248/316.7
D428,328	S *	7/2000	Jarnagin et al.	D8/382
6,108,981	A *	8/2000	Sama et al.	52/60
6,167,660	B1 *	1/2001	Sama	52/60
D481,932	S *	11/2003	Bess	D8/394
6,786,011	B2 *	9/2004	Mares	52/60
D532,291	S *	11/2006	Geers	D8/394
D547,642	S *	7/2007	Urmson et al.	D8/382

* cited by examiner

Primary Examiner—T. Chase Nelson

Assistant Examiner—David G Muller

(74) *Attorney, Agent, or Firm*—Hani Z. Sayed; Rutan & Tucker, LLP

(57) **CLAIM**

The ornamental design of a rooftop vent clasp, as shown and described.

DESCRIPTION

FIG. 1 is a front, left side perspective view of the rooftop vent clasp in the engaged state in an embodiment of the present invention;

FIG. 2 is a front, left side perspective view thereof in the disengaged state;

FIG. 3 is a front left side perspective view thereof in the engaged state as attached to the vent hood;

FIG. 4 is a front left side perspective view thereof in the disengaged state as attached to the vent hood;

FIG. 5 is a left side elevation view thereof in the engaged state;

FIG. 6 is a top plan view thereof;

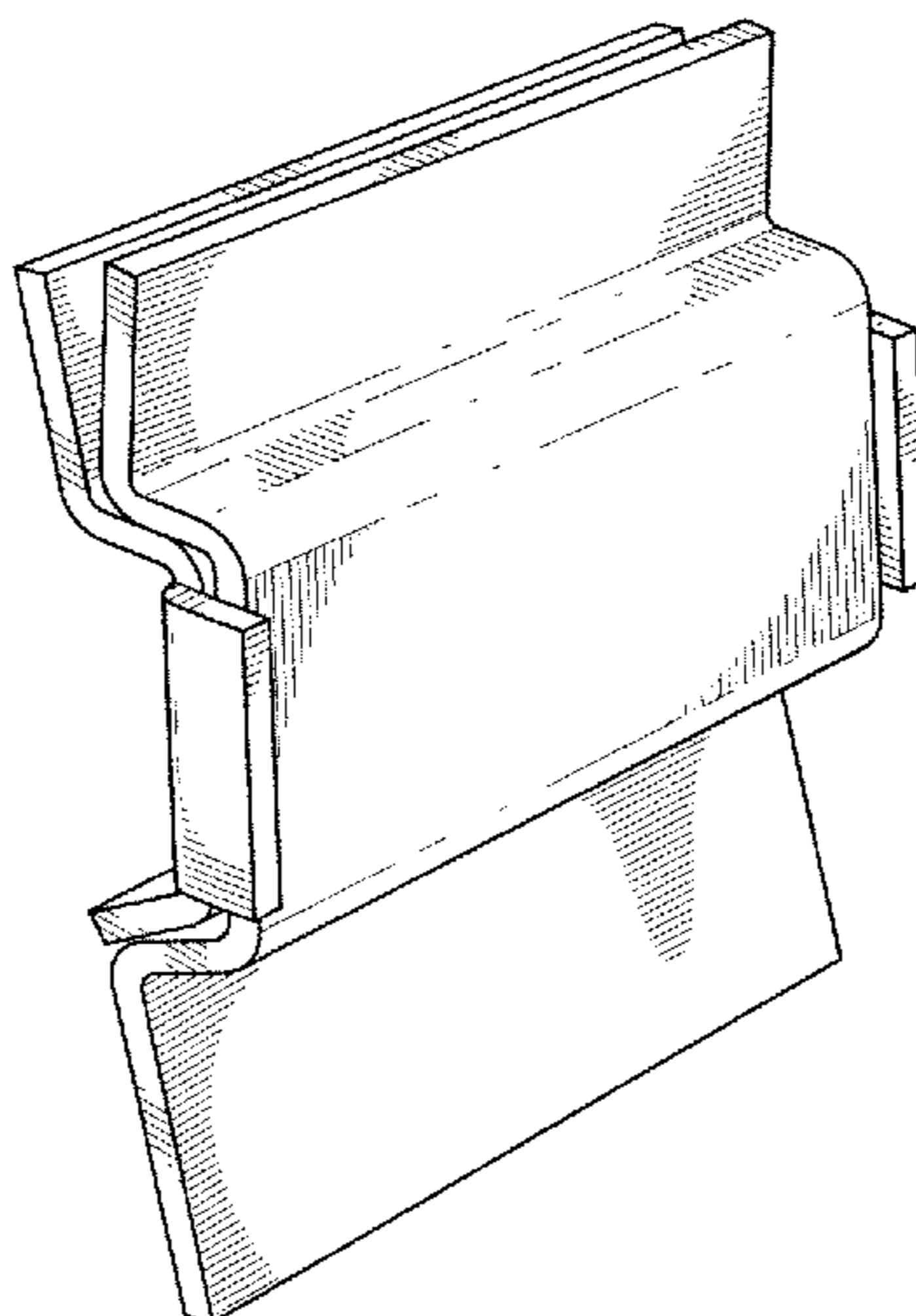
FIG. 7 is a bottom plan view thereof;

FIG. 8 is a front elevation view thereof; and,

FIG. 9 is a rear elevation view thereof.

The broken line showing of the rooftop vent clasp is included for the purpose of illustrating use and environment and forms no part of the claimed design.

1 Claim, 4 Drawing Sheets



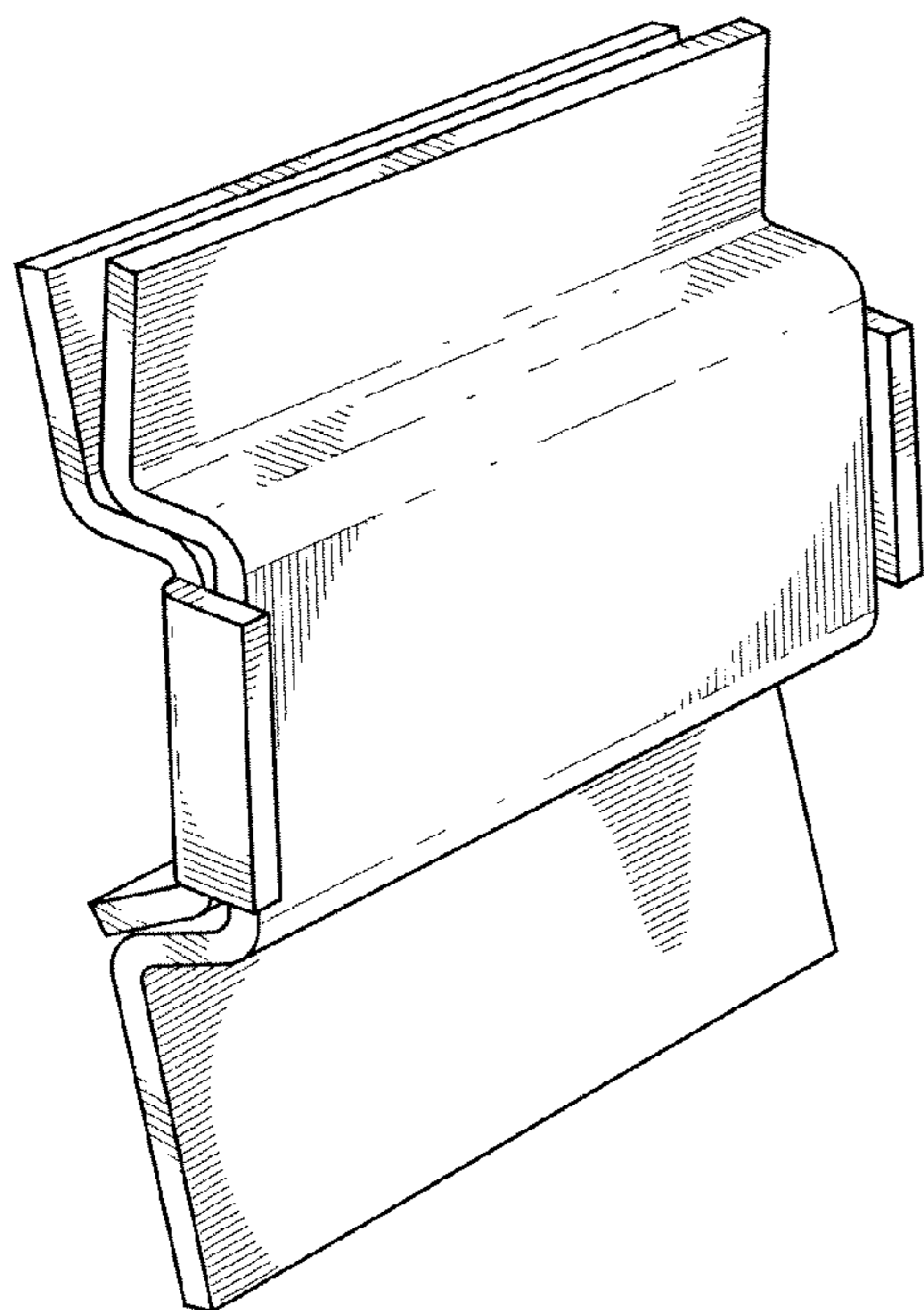


FIG. 1

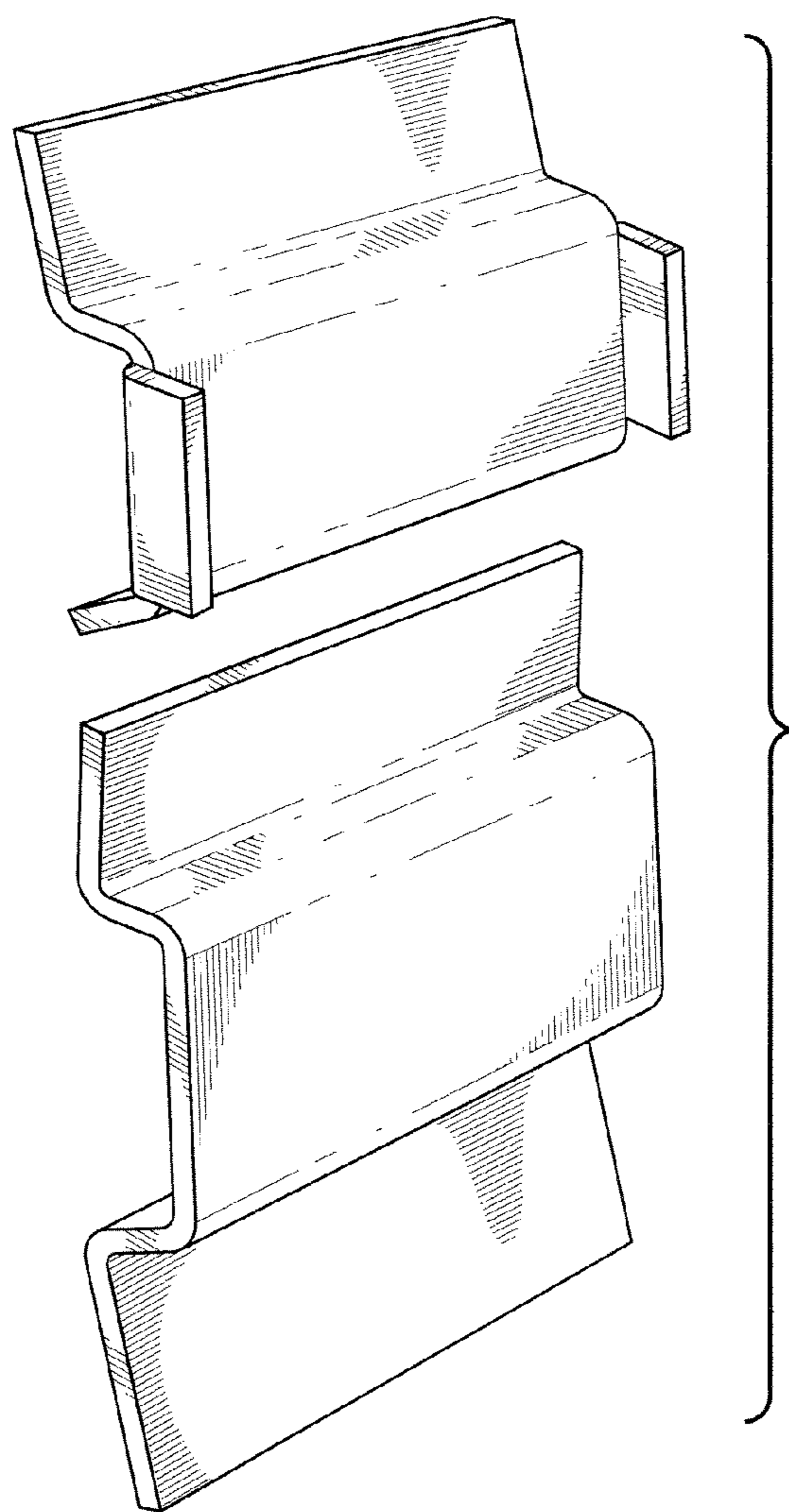


FIG. 2

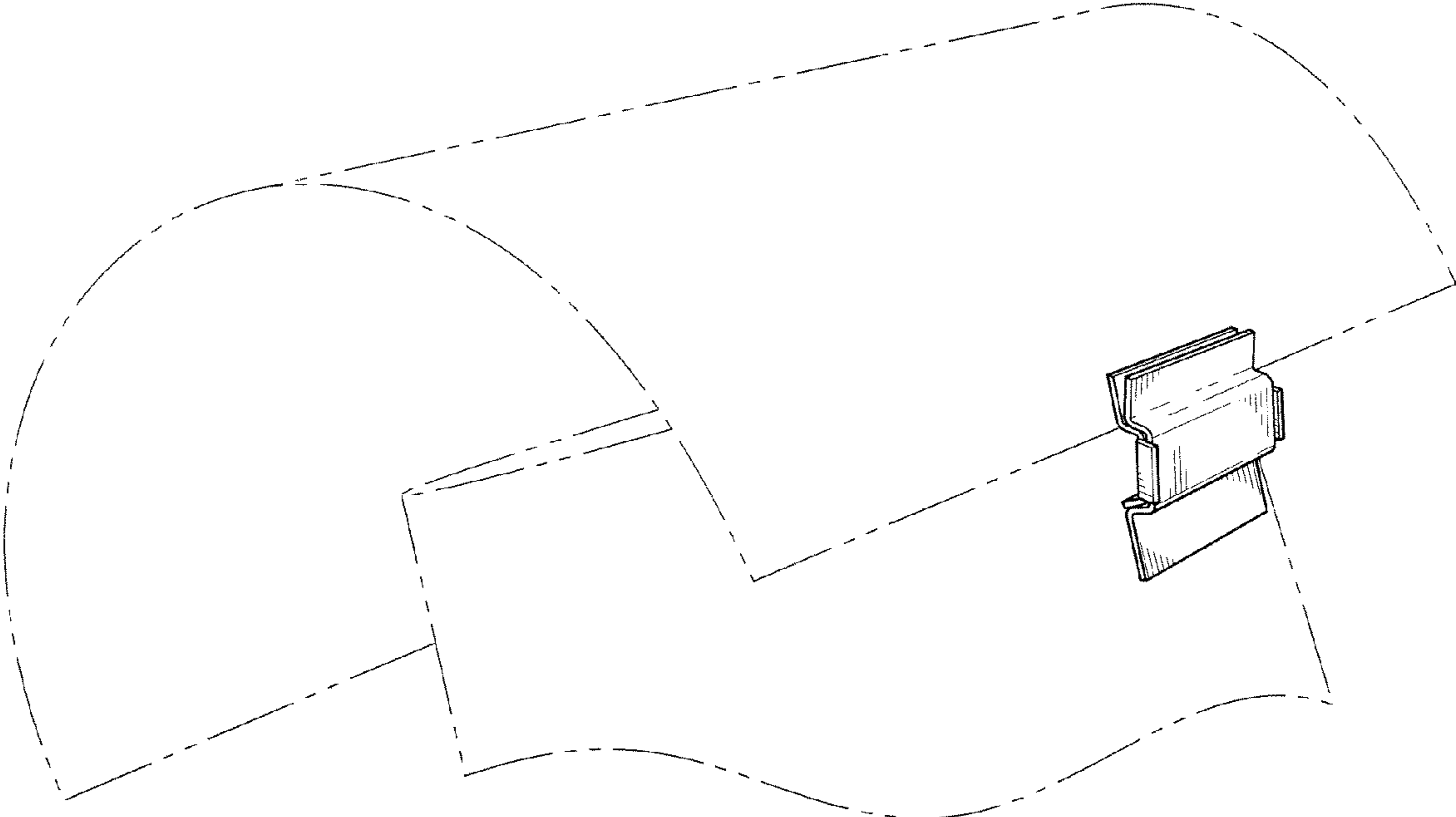


FIG. 3

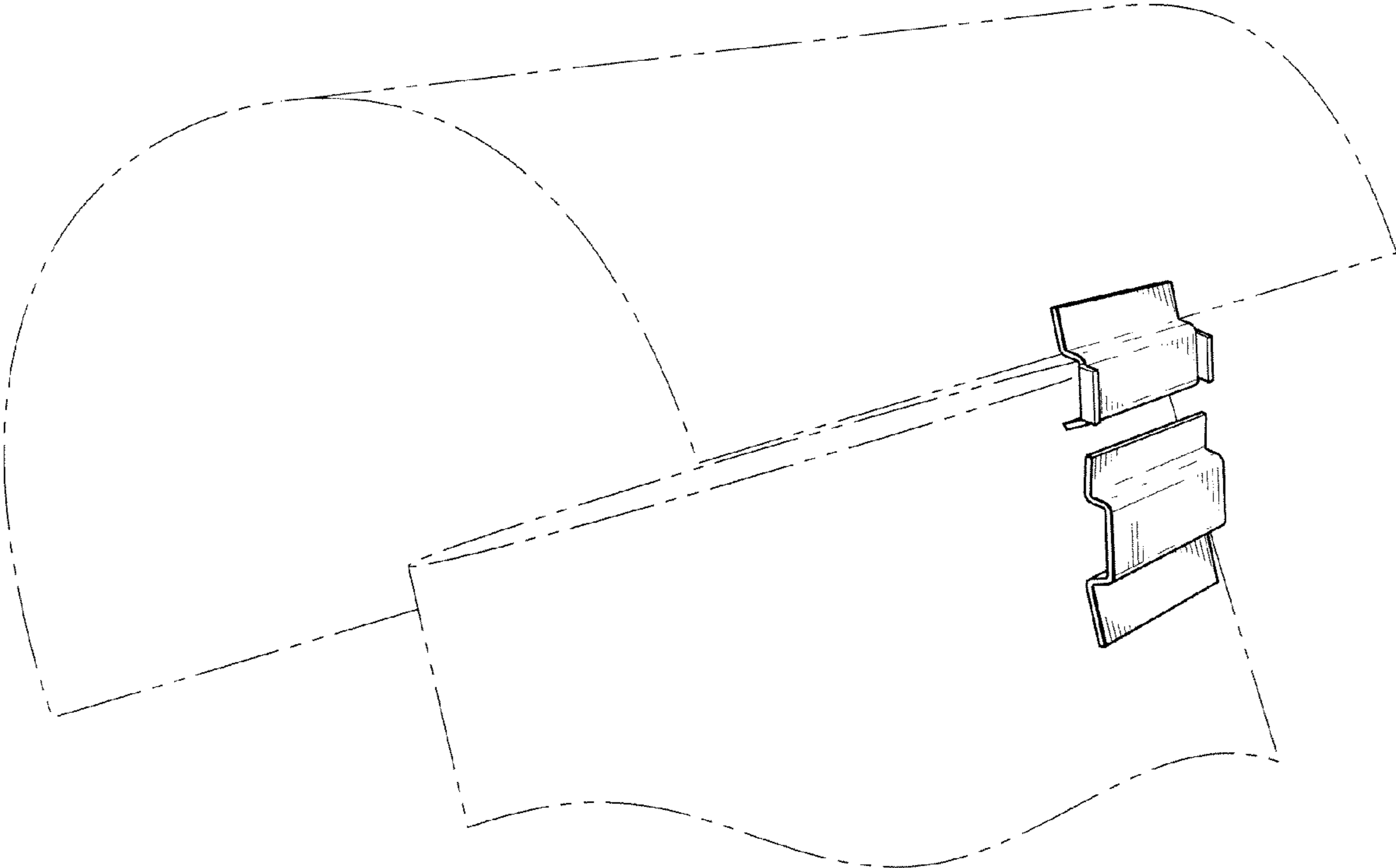


FIG. 4

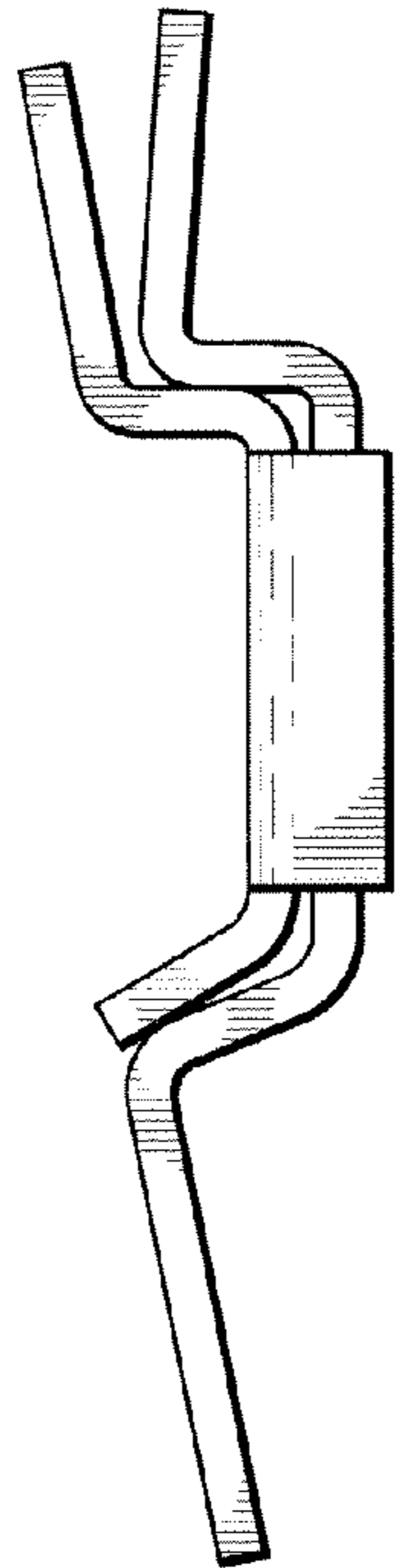


FIG. 5

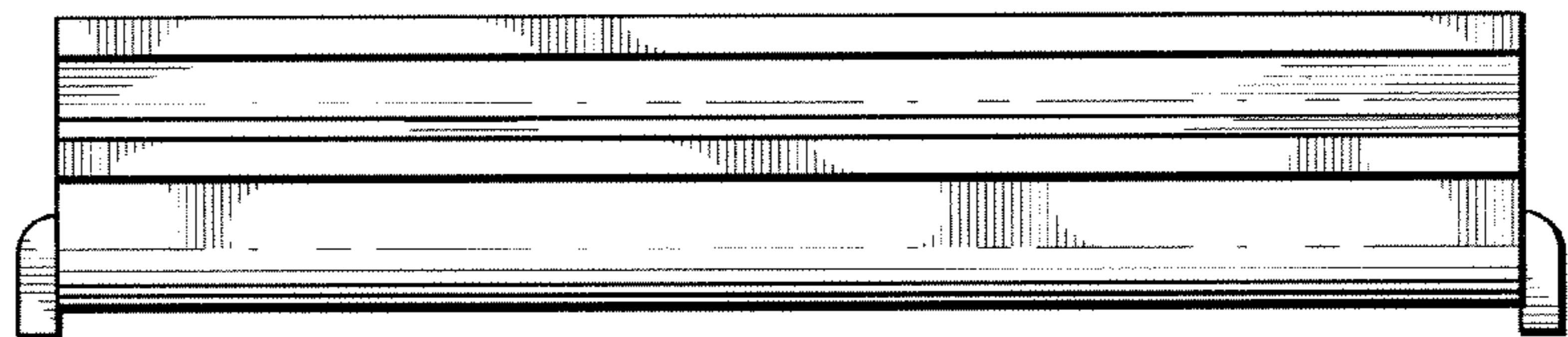


FIG. 6

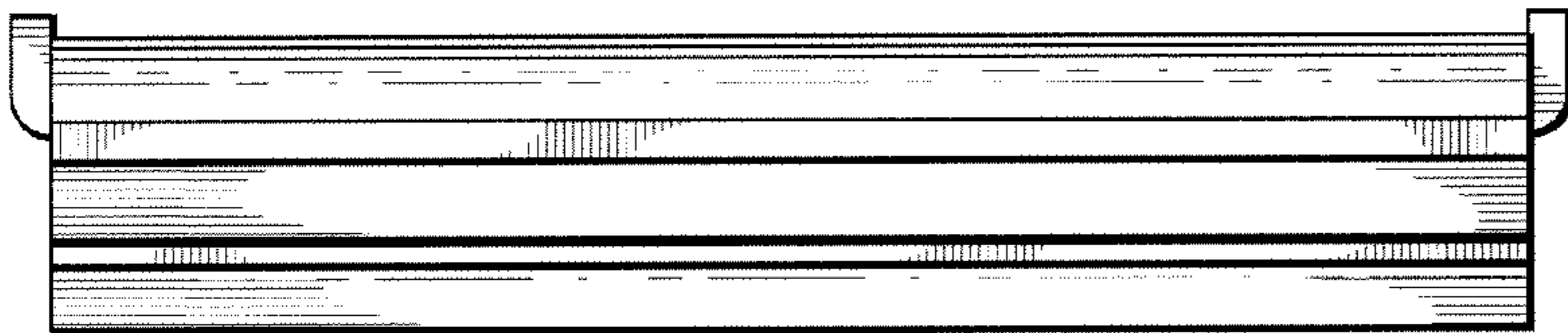


FIG. 7

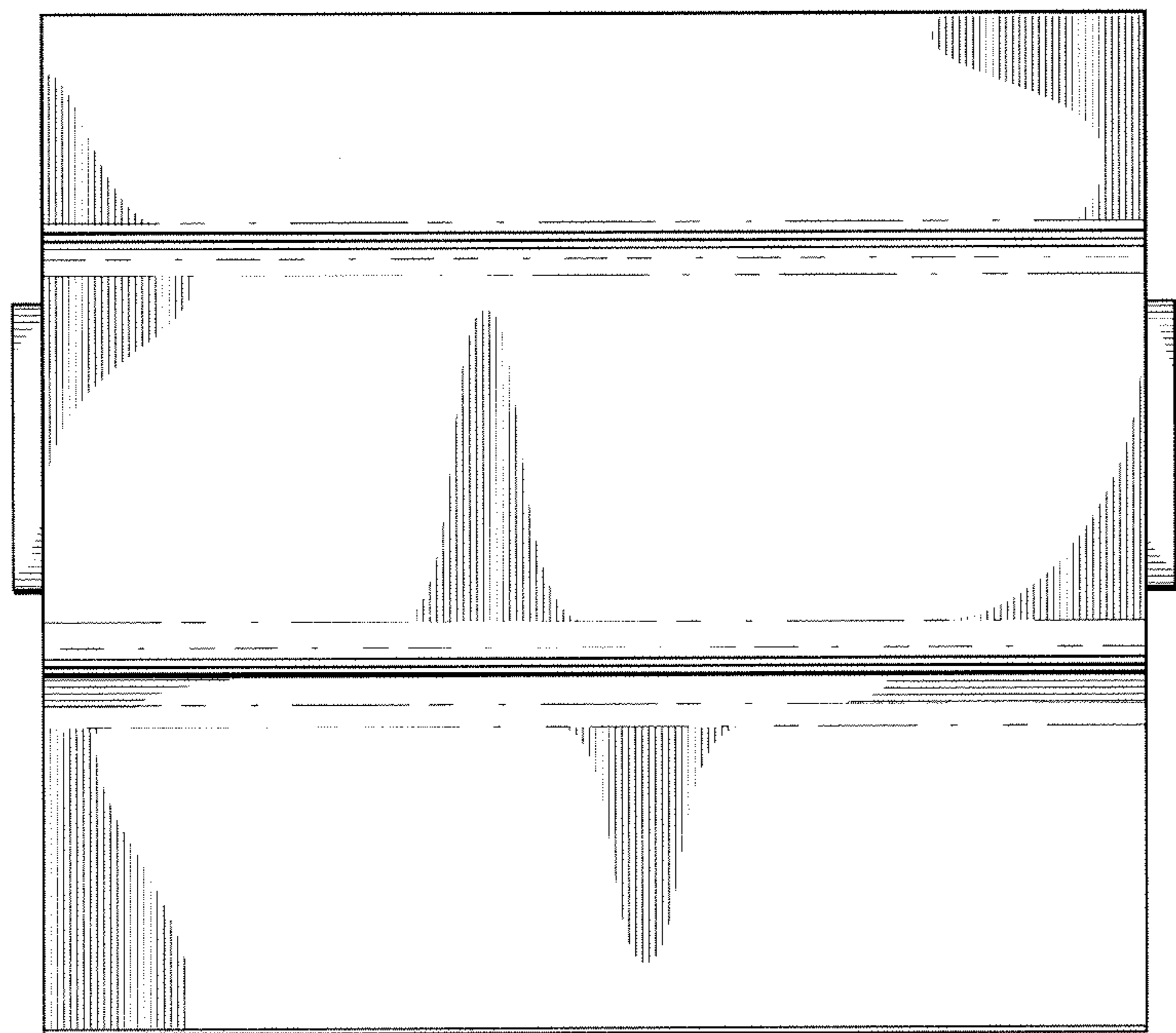


FIG. 8

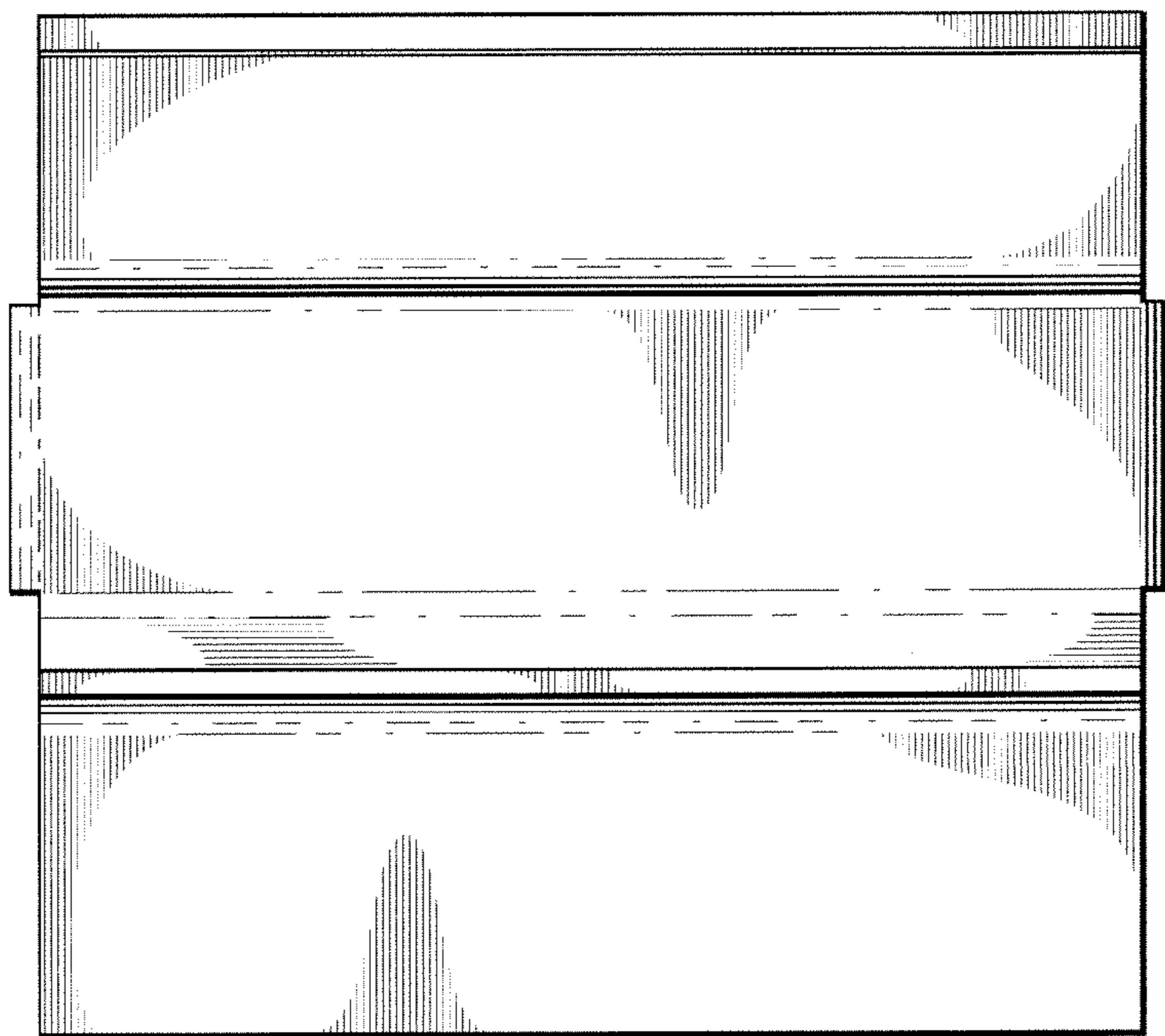


FIG. 9