



US00D602143S

(12) **United States Design Patent**  
**Gammack et al.**

(10) **Patent No.:** **US D602,143 S**

(45) **Date of Patent:** **\*\* Oct. 13, 2009**

(54) **FAN**

D435,899 S \* 1/2001 Melwani ..... D23/382  
D485,895 S \* 1/2004 Melwani ..... D23/370  
D539,414 S 3/2007 Russak et al.

(75) Inventors: **Peter David Gammack**, Malmesbury  
(GB); **James Dyson**, Malmesbury (GB)

**FOREIGN PATENT DOCUMENTS**

(73) Assignee: **Dyson Limited**, Malmesbury (GB)

DE 1291090 3/1969  
DE 19510397 9/1996  
GB 1501473 2/1978  
GB 2236804 4/1991  
GB 2242935 10/1991  
JP 56-167897 12/1981

(\*\*) Term: **14 Years**

(21) Appl. No.: **29/328,961**

(22) Filed: **Dec. 4, 2008**

**OTHER PUBLICATIONS**

(30) **Foreign Application Priority Data**

Gammack et al., U.S. Office Action mailed Jun. 15, 2009, directed to U.S. Des. Appl. No. 29/328,939; (5 pages).

Jun. 6, 2008 (GB) ..... 4007841

\* cited by examiner

(51) **LOC (9) Cl.** ..... **23-04**

(52) **U.S. Cl.** ..... **D23/370**

*Primary Examiner*—Lisa P Lichtenstein

(58) **Field of Classification Search** ..... D23/382,  
D23/381, 370, 413, 411, 412; 416/244 R,  
416/246, 247 R; D6/309

(74) *Attorney, Agent, or Firm*—Morrison and Foerster LLP

See application file for complete search history.

(57) **CLAIM**

(56) **References Cited**

We claim the ornamental design for a fan, as shown and described.

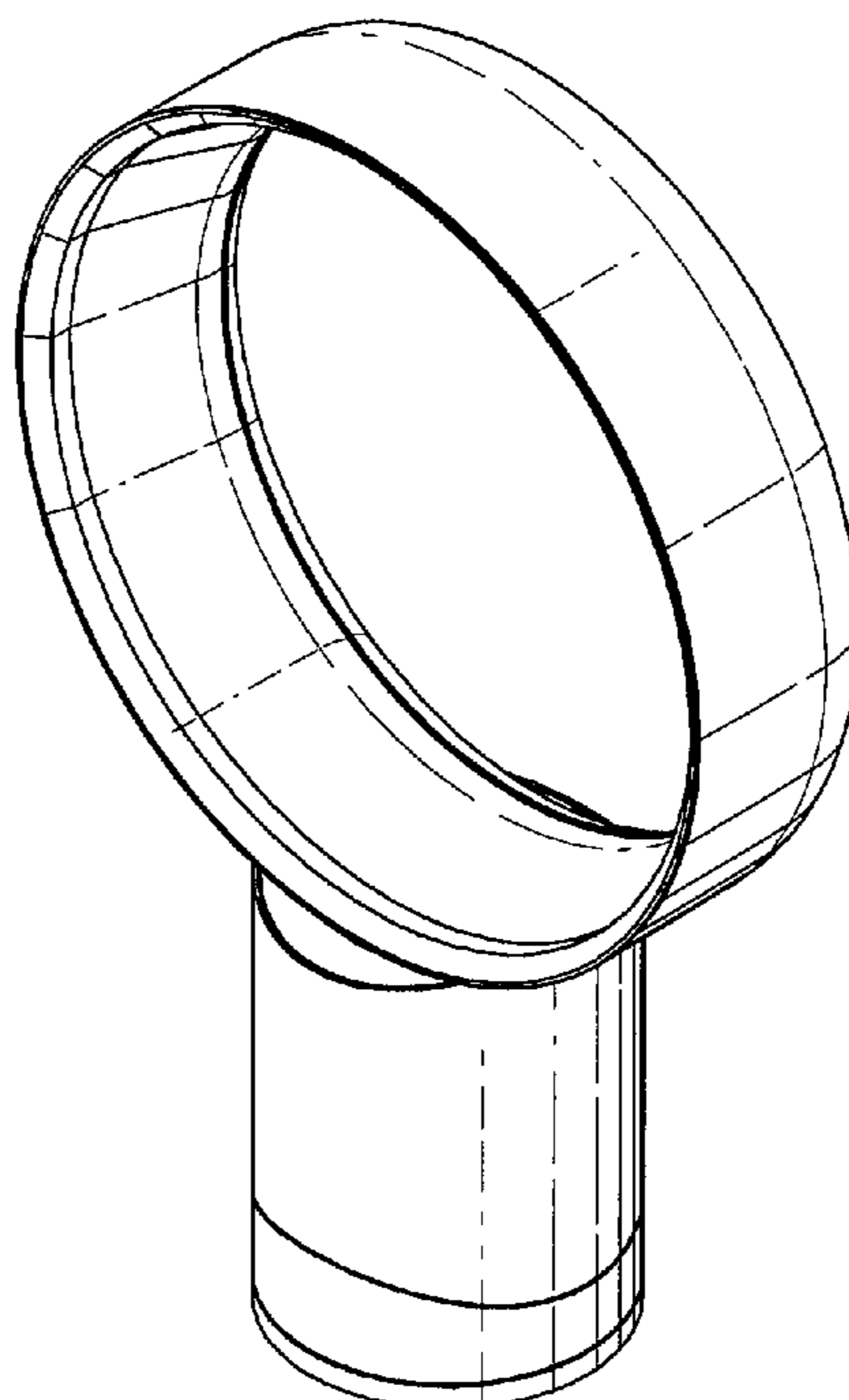
**U.S. PATENT DOCUMENTS**

**DESCRIPTION**

1,767,060 A 6/1930 Ferguson  
D103,476 S 3/1937 Weber  
D115,344 S \* 6/1939 Chapman ..... D23/411  
2,433,795 A 12/1947 Stokes  
2,488,467 A 11/1949 De Lisio  
D206,973 S 2/1967 De Lisio  
5,881,685 A 3/1999 Foss et al.  
D415,271 S \* 10/1999 Feer ..... D23/411  
6,073,881 A 6/2000 Chen  
D429,808 S \* 8/2000 Krauss et al. .... D23/411  
6,123,618 A 9/2000 Day

FIG. 1 is a perspective view of a fan showing our new design;  
FIG. 2 is a front view thereof;  
FIG. 3 is a rear view thereof;  
FIG. 4 is a side view thereof;  
FIG. 5 is a top plan view thereof; and,  
FIG. 6 is an underneath plan view thereof.

**1 Claim, 4 Drawing Sheets**



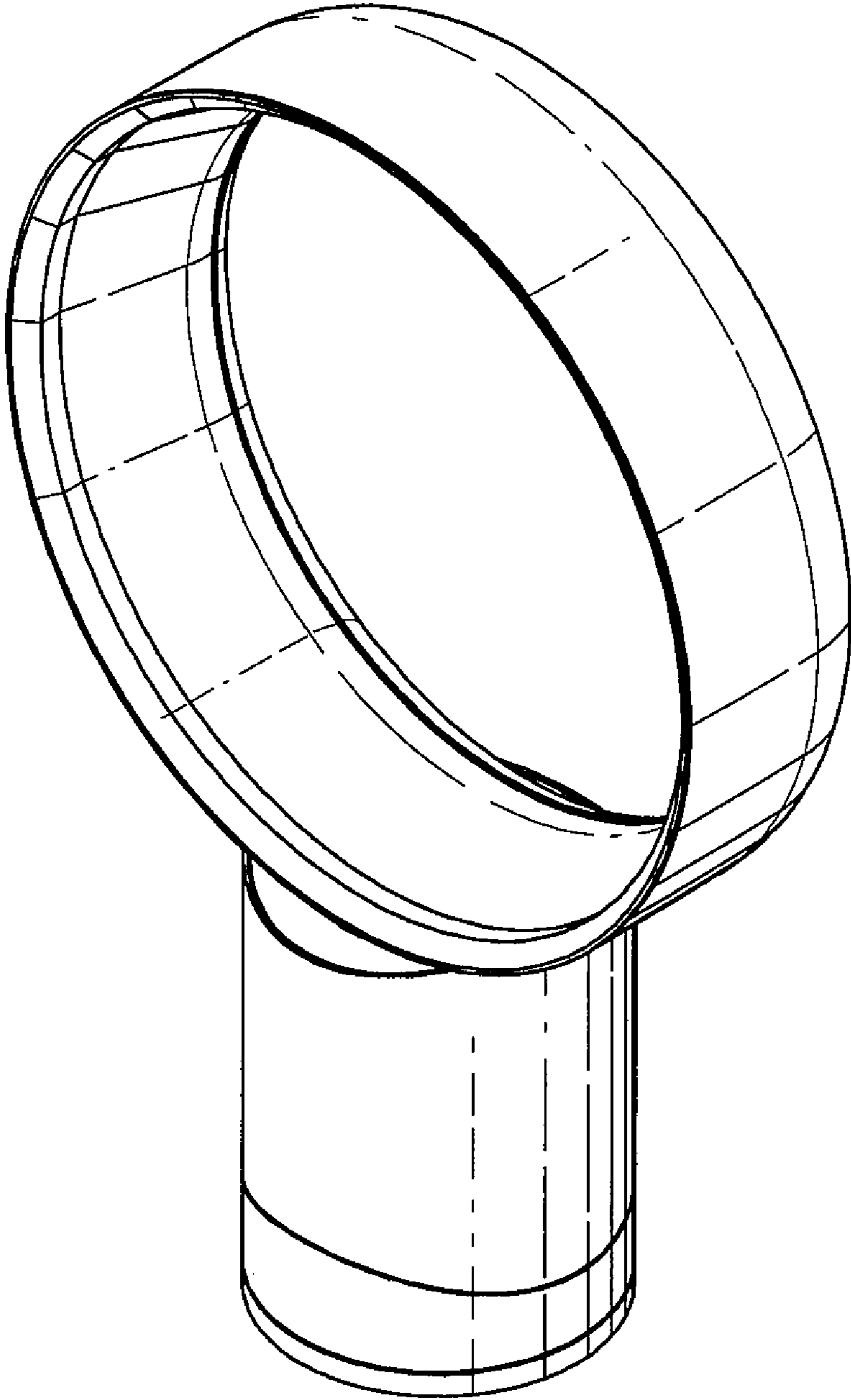


FIG. 1

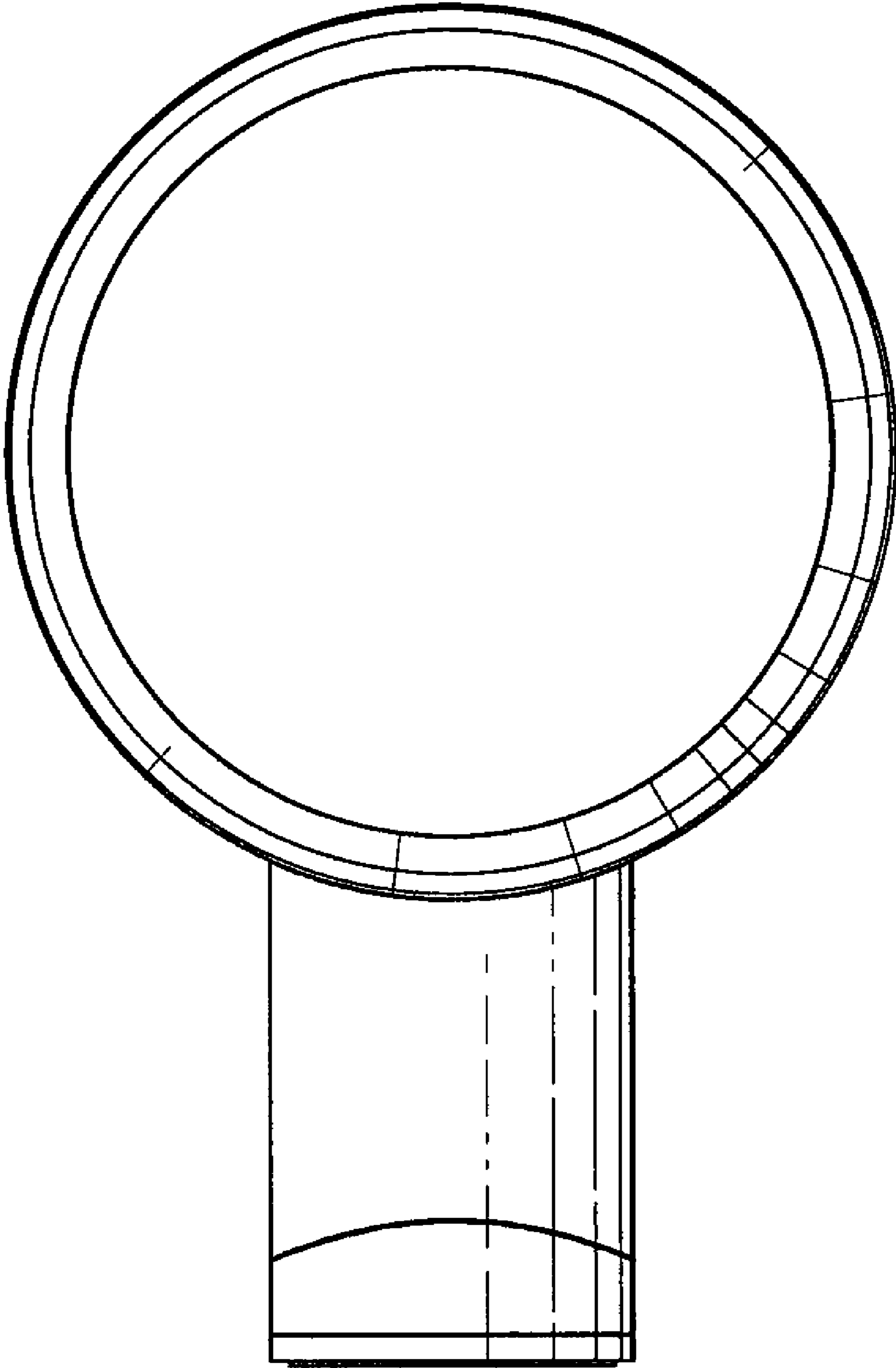


FIG. 2

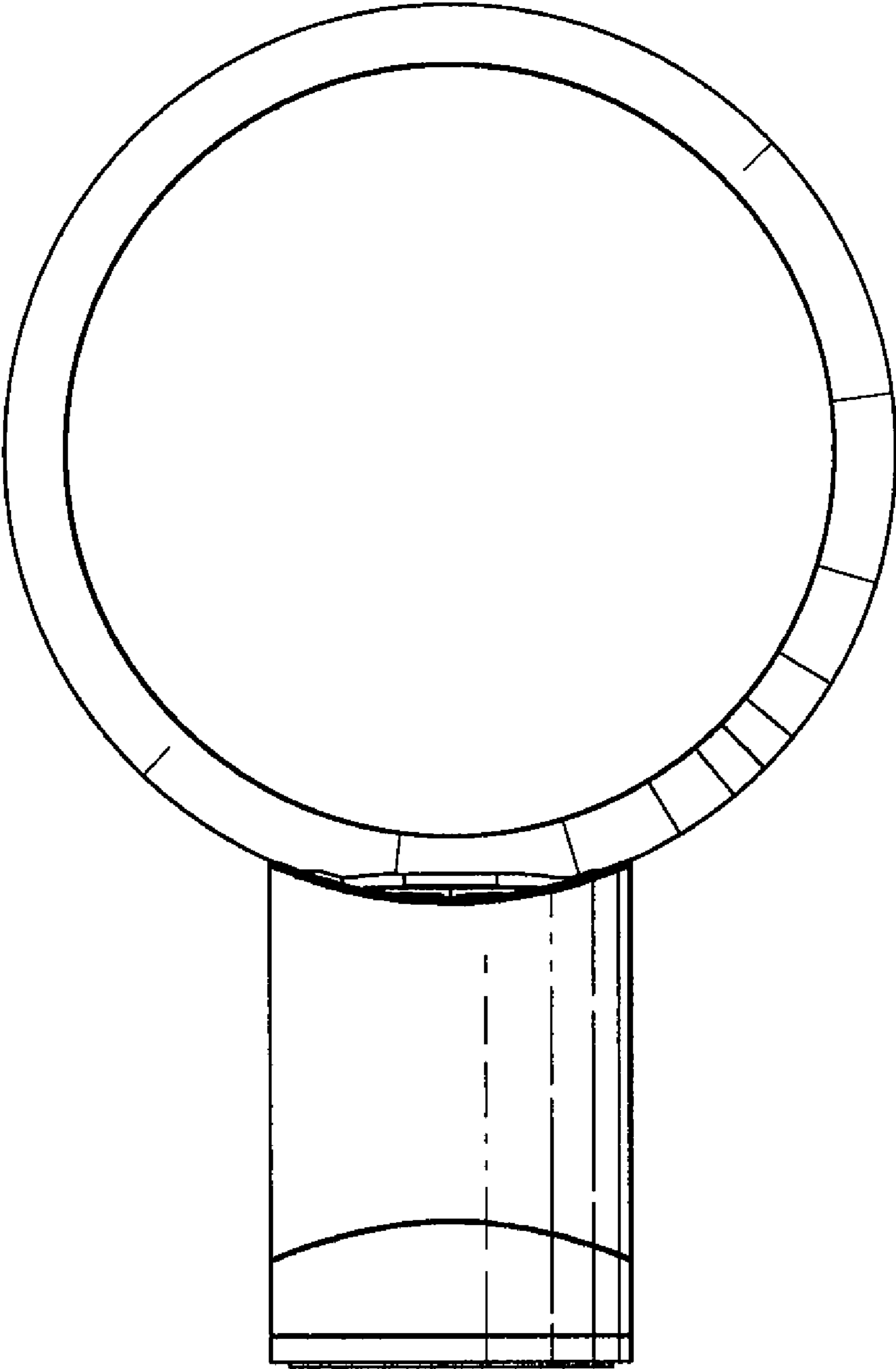


FIG. 3

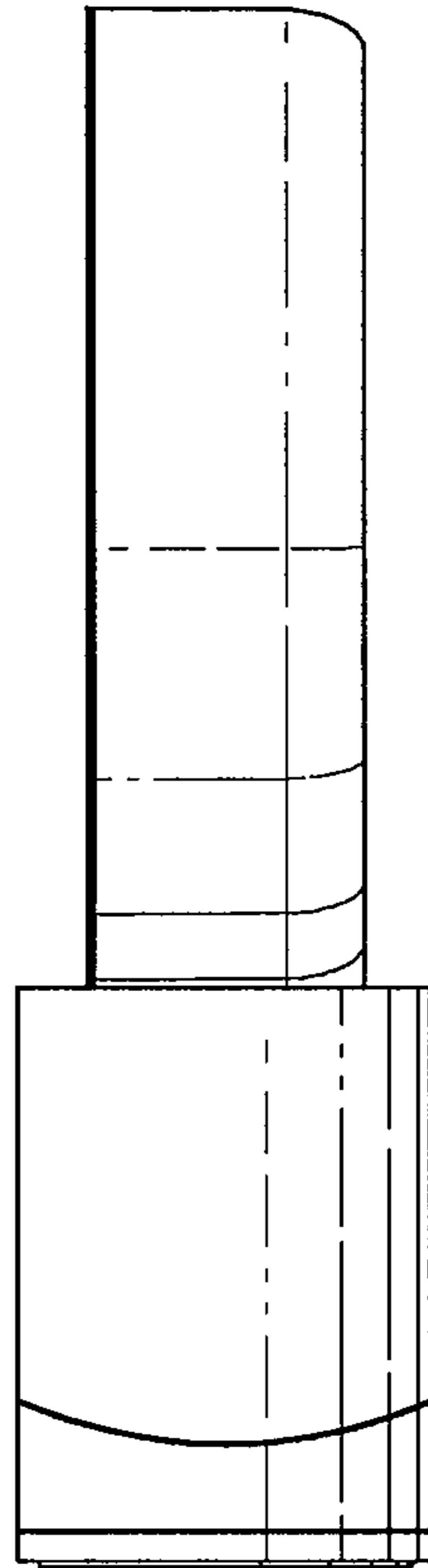


FIG. 4

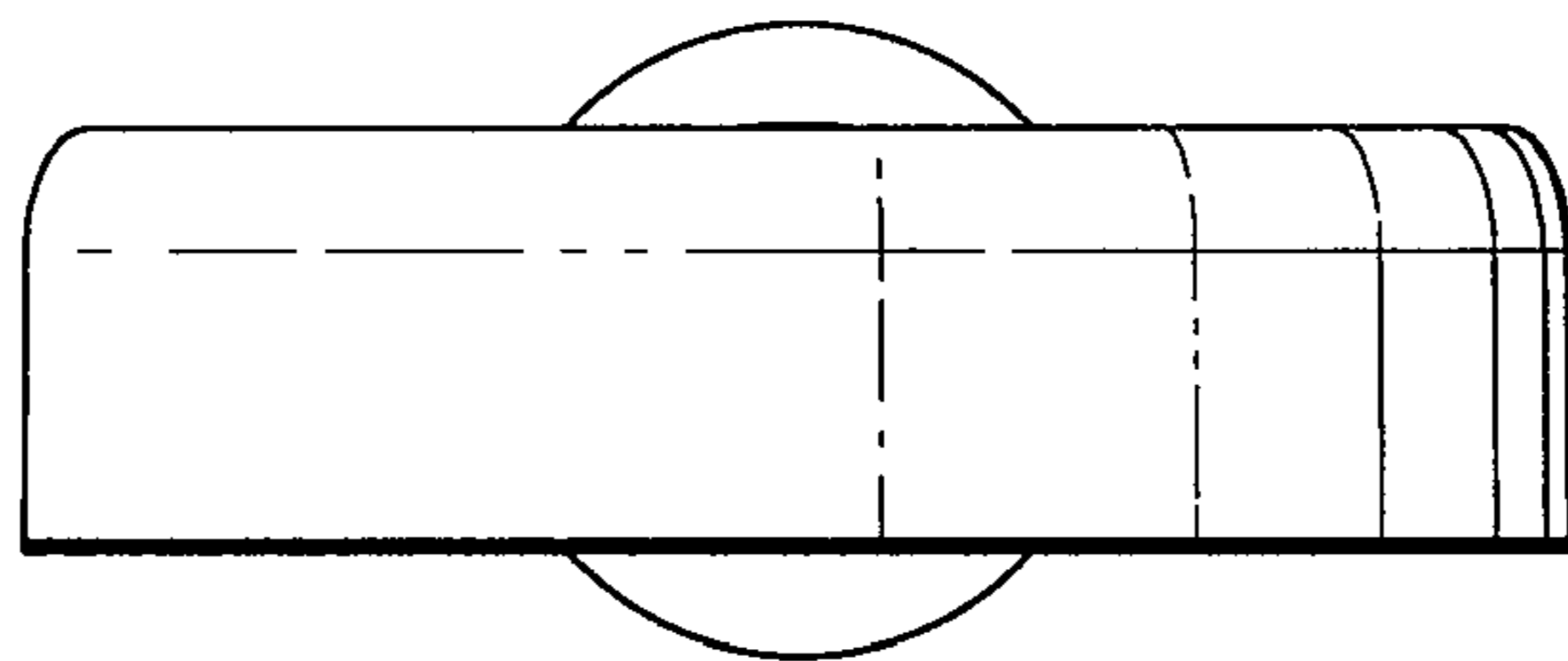


FIG. 5

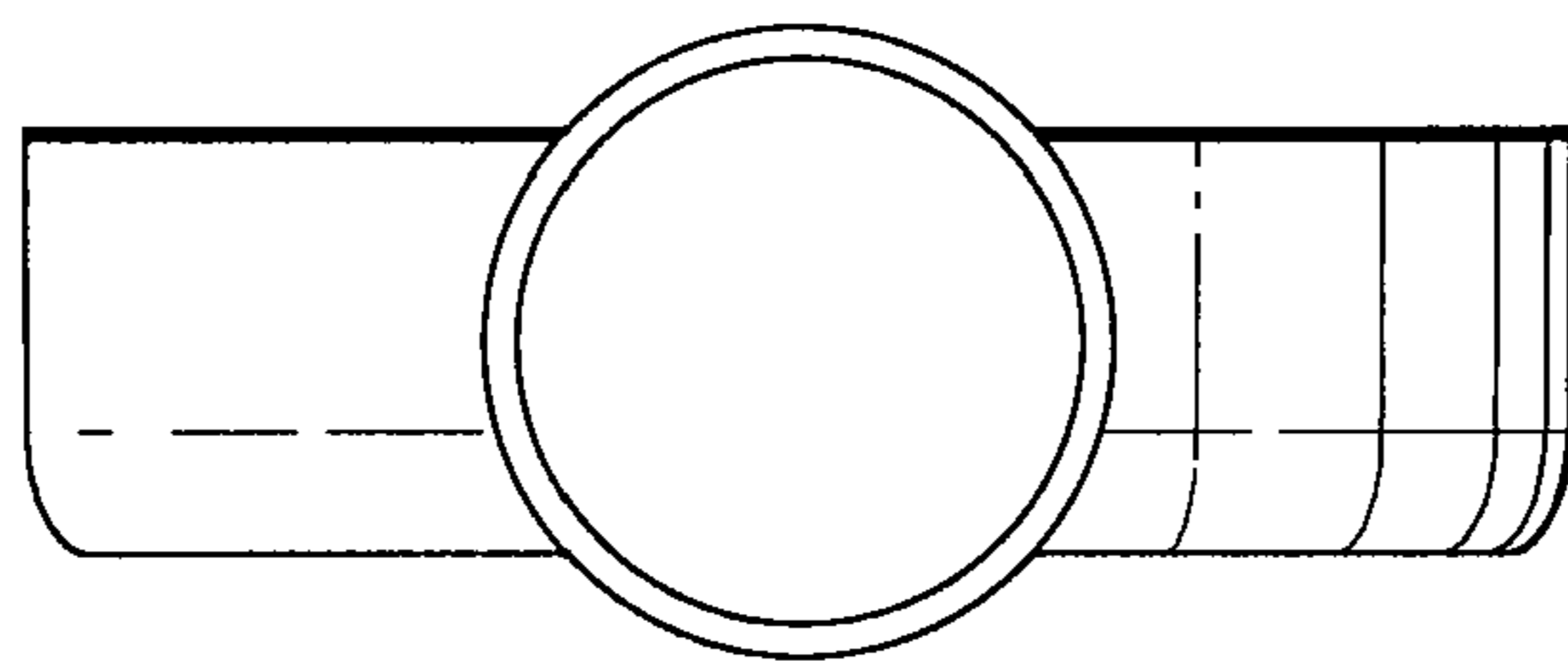


FIG. 6