

US00D602141S

(12) **United States Design Patent**  
**Harris**

(10) **Patent No.:** **US D602,141 S**

(45) **Date of Patent:** **\*\* Oct. 13, 2009**

(54) **OZONE GENERATOR**

(76) Inventor: **Charles E. Harris**, 104-6 Moo 17  
Tarribol Mae Fah Luang, P.O. Box 18.  
Mae Lunag District, Chiang Rai (TH)  
57240

(\*\*) Term: **14 Years**

(21) Appl. No.: **29/331,196**

(22) Filed: **Jan. 21, 2009**

(51) **LOC (9) Cl.** ..... **28-99**

(52) **U.S. Cl.** ..... **D23/366**

(58) **Field of Classification Search** ..... D23/355-369;  
261/DIG. 17, DIG. 42, DIG. 65, DIG. 88,  
261/DIG. 89; 239/34-36, 44-45, 53-54,  
239/56-57, 60, 136, 152, 302, 326; 392/386,  
392/390, 392, 394, 395; D28/5, 6

See application file for complete search history.

(56) **References Cited**

**U.S. PATENT DOCUMENTS**

- 2,810,167 A \* 10/1957 Parks, Sr. .... 422/117
- 3,480,001 A \* 11/1969 Briggin et al. .... 126/261
- D324,099 S \* 2/1992 Weick ..... D23/367
- D350,190 S \* 8/1994 Clawson et al. .... D23/358
- D352,104 S \* 11/1994 Clawson et al. .... D23/358
- D545,396 S \* 6/2007 Casey et al. .... D23/209

D549,313 S \* 8/2007 Kelhofer ..... D23/360  
D581,506 S \* 11/2008 Kelhofer ..... D23/360

\* cited by examiner

*Primary Examiner*—Sandra Snapp

(74) *Attorney, Agent, or Firm*—Nixon Peabody LLP

(57) **CLAIM**

The ornamental design for an ozone generator, as shown and described.

**DESCRIPTION**

FIG. 1 is a top perspective view of an ozone generator showing my new design;

FIG. 2 is a left side view of the ozone generator shown in FIG. 1;

FIG. 3 is a front view of the ozone generator shown in FIG. 1;

FIG. 4 is a right side view of the ozone generator shown in FIG. 1;

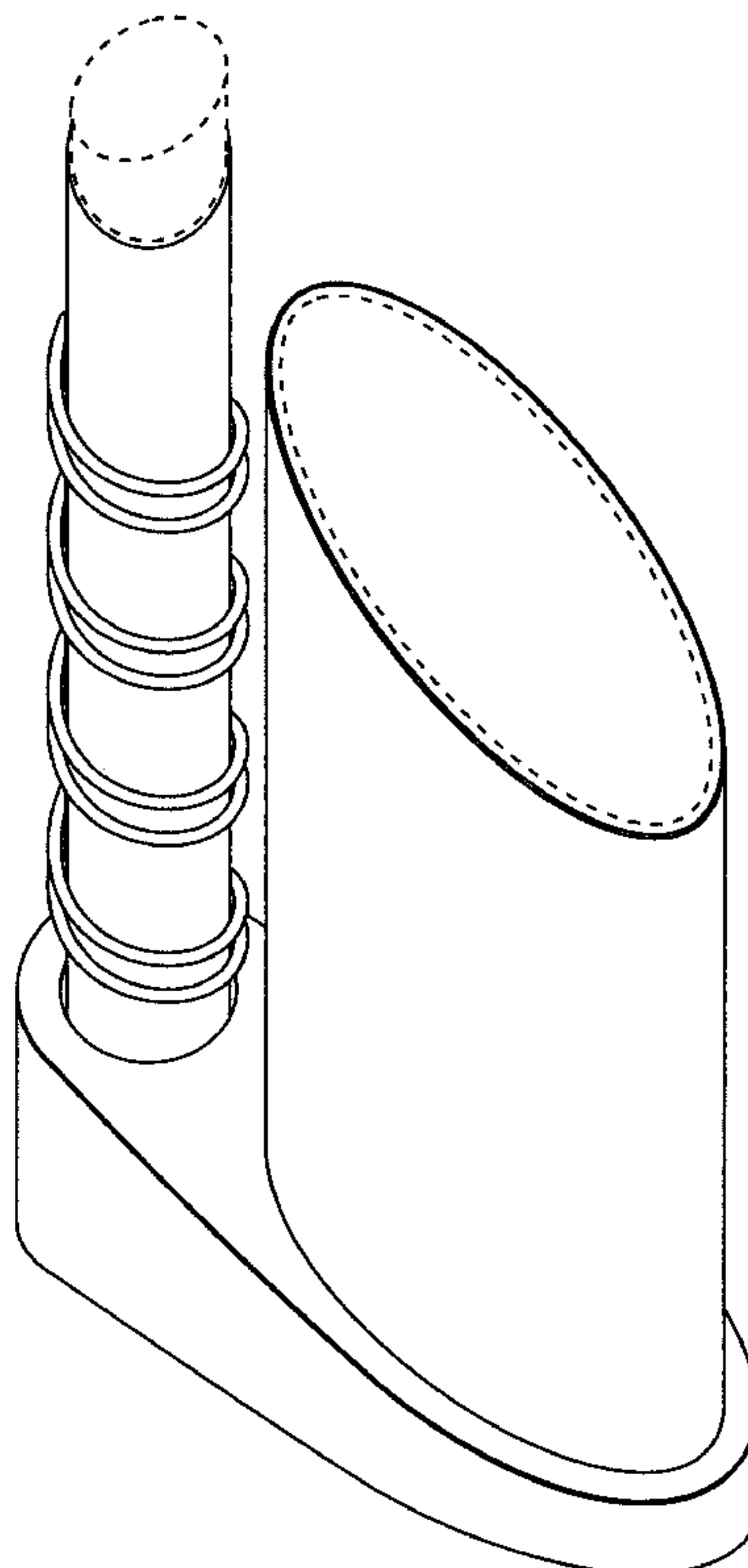
FIG. 5 is a rear view of the ozone generator shown in FIG. 1;

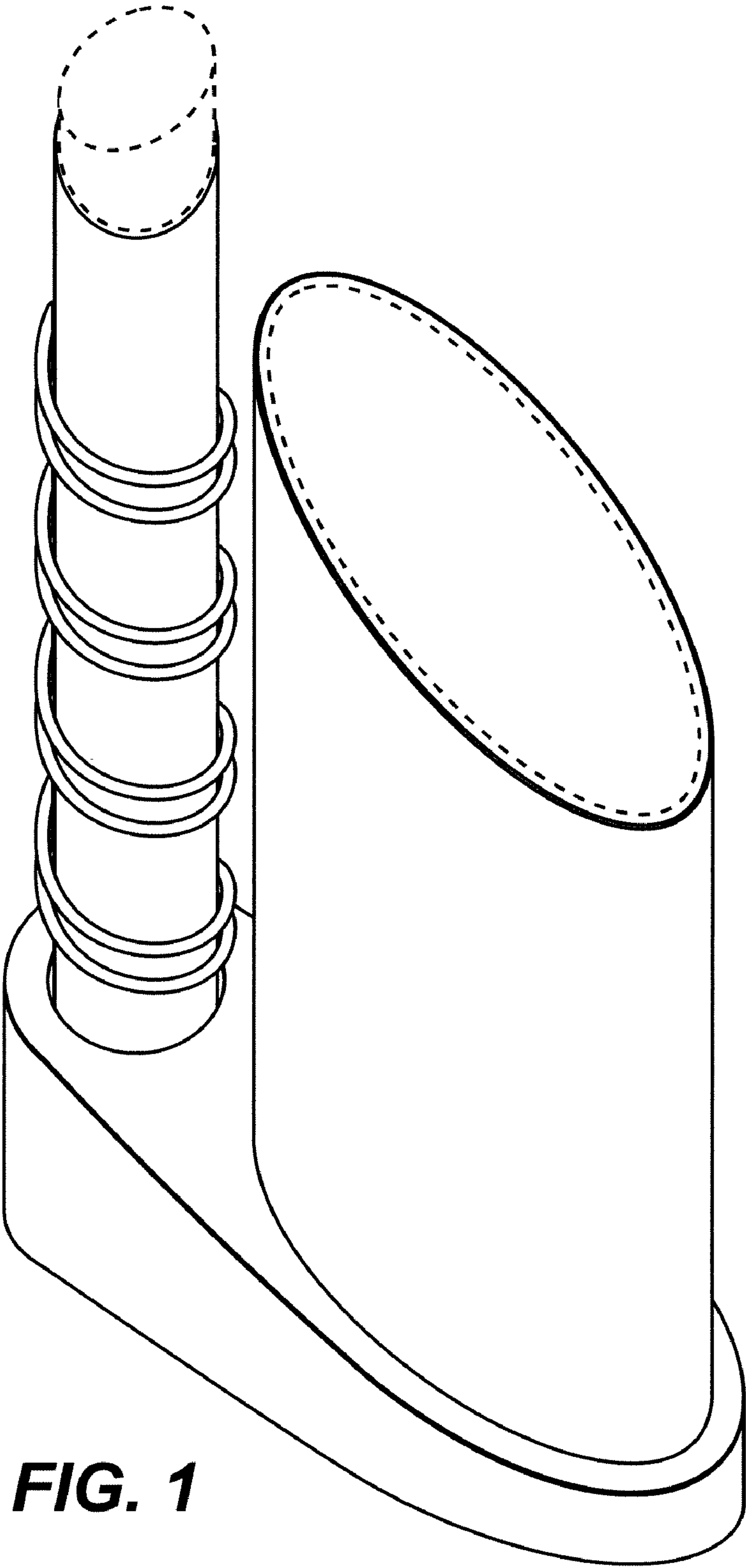
FIG. 6 is a top view of the ozone generator shown in FIG. 1; and,

FIG. 7 is a bottom view of the ozone generator shown in FIG. 1.

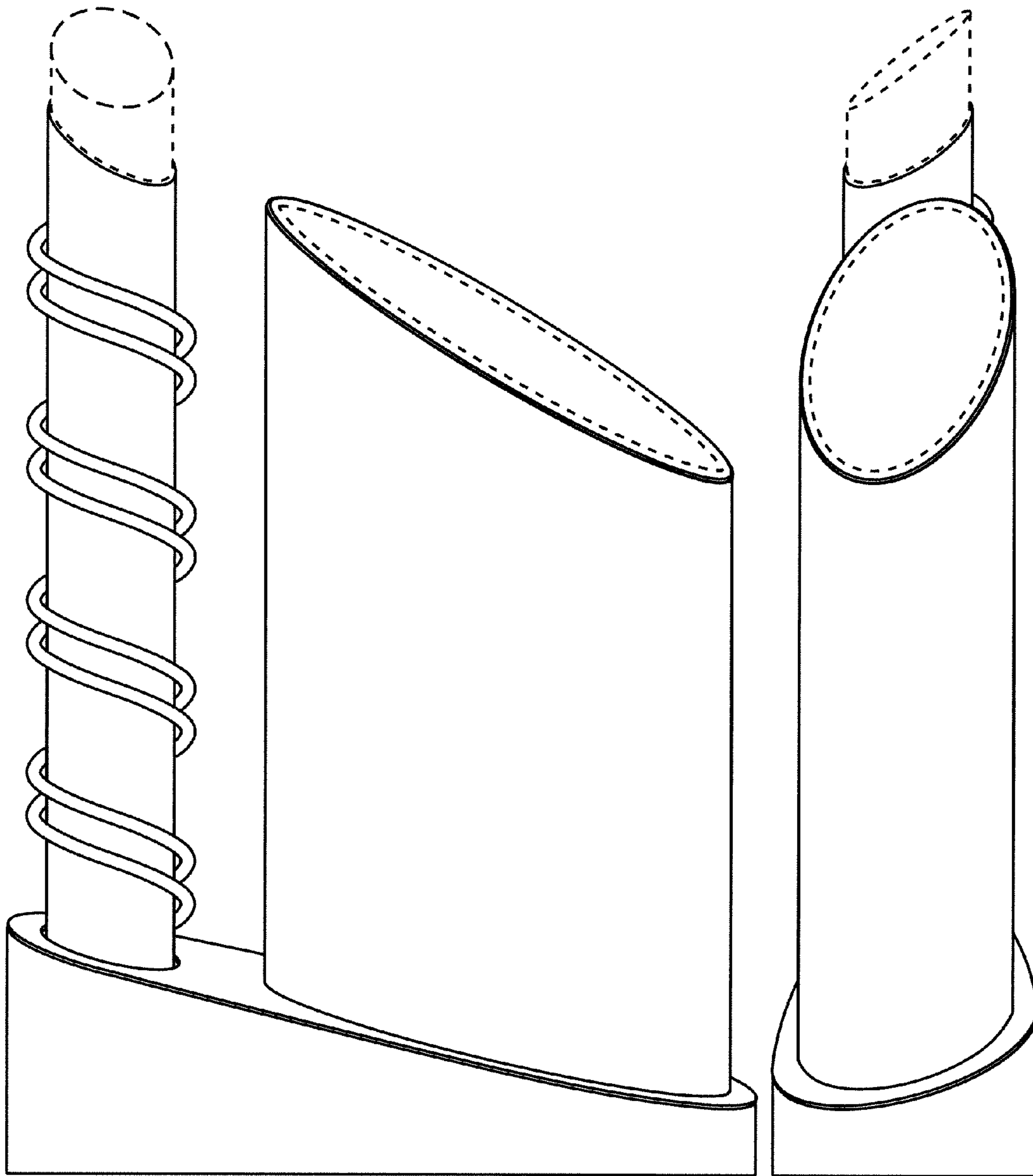
The broken lines shown in the figure drawings are included for the purpose of illustrating environmental structure and form no part of the claimed design.

**1 Claim, 3 Drawing Sheets**



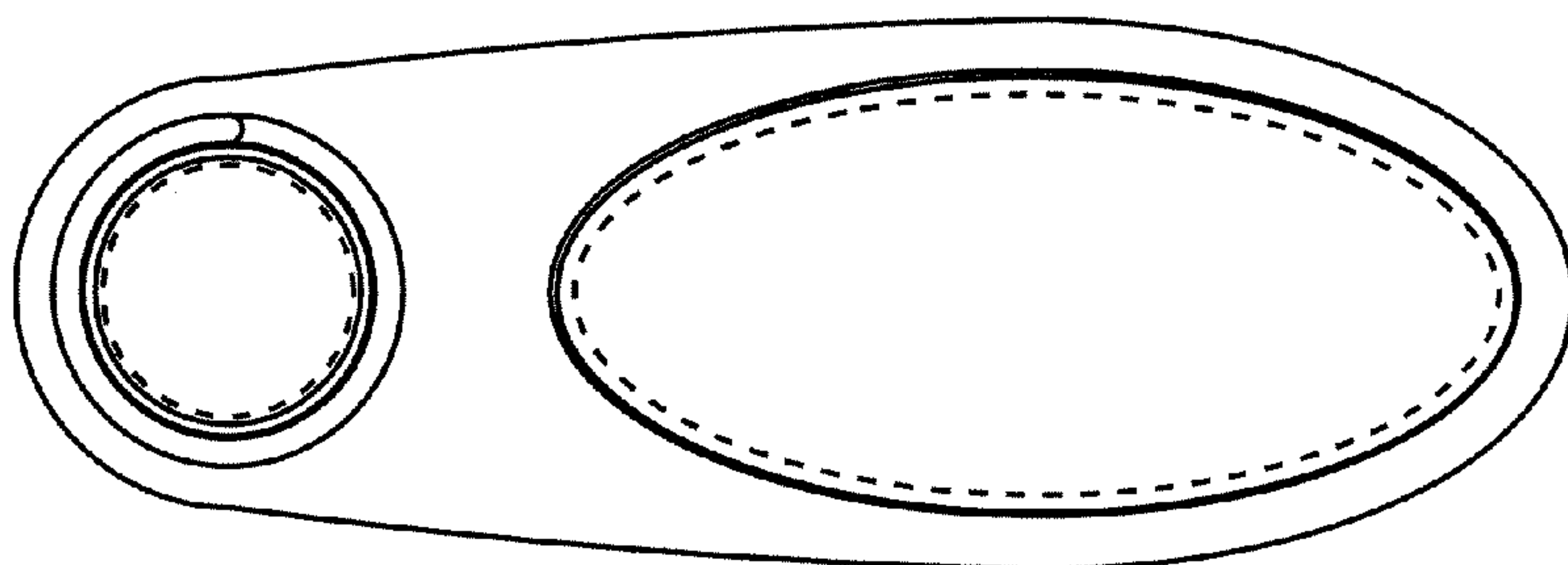


**FIG. 1**

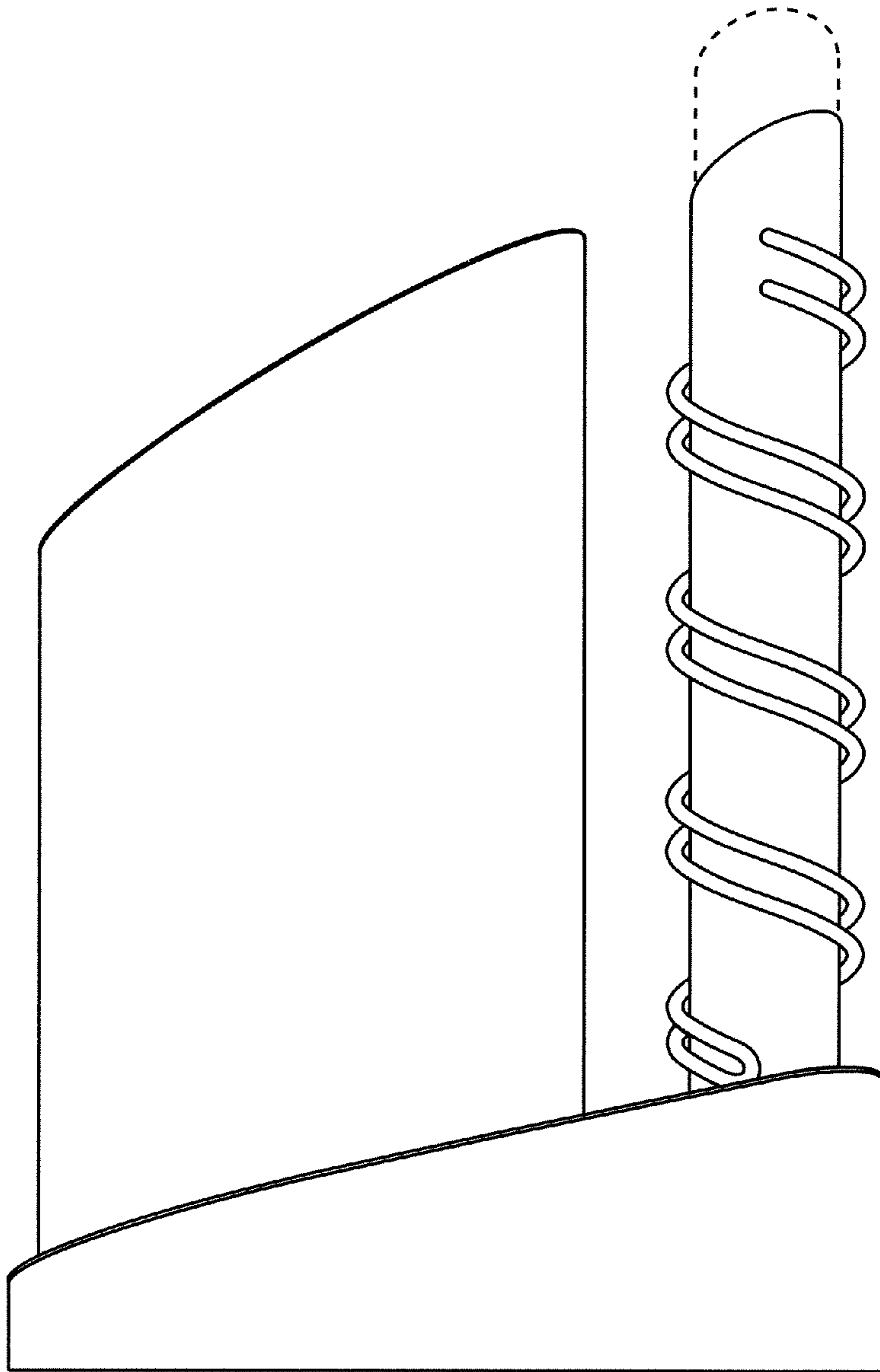


**FIG. 2**

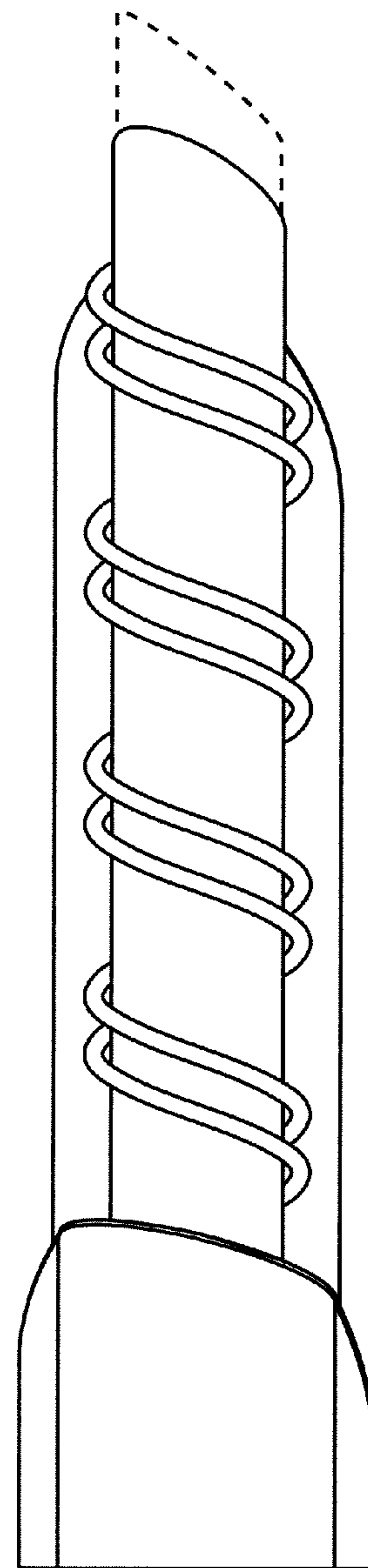
**FIG. 3**



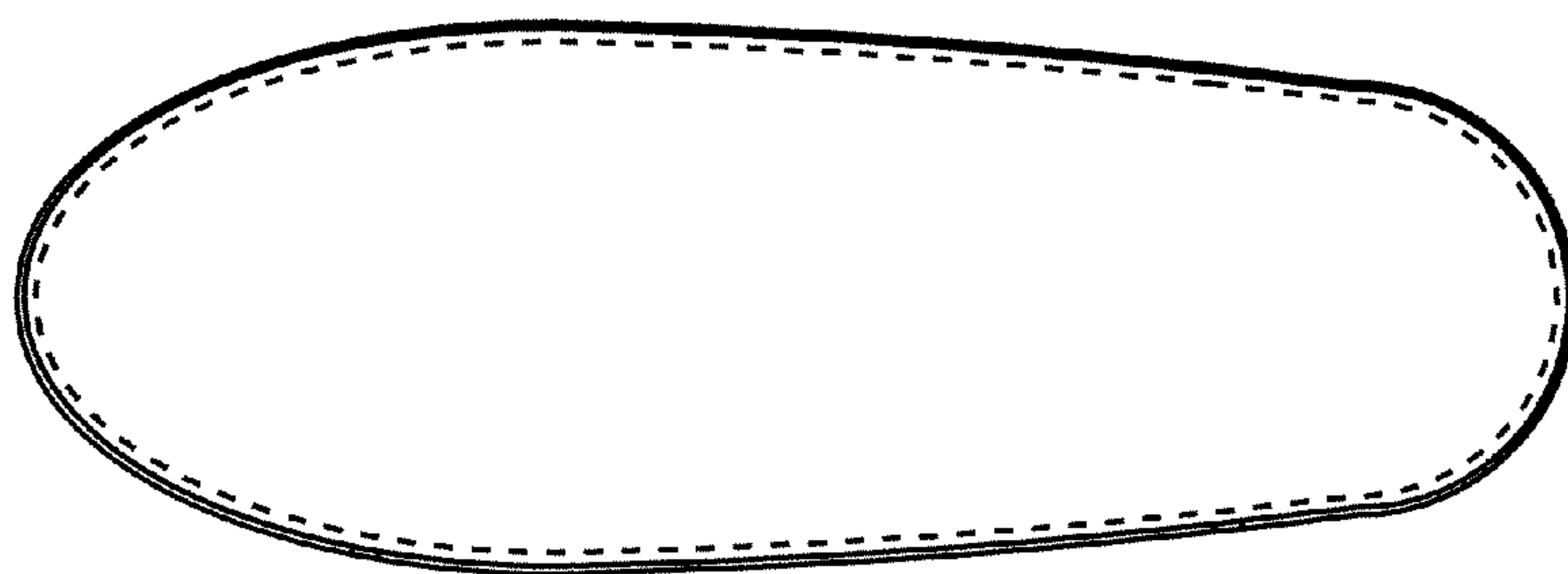
**FIG. 6**



**FIG. 4**



**FIG. 5**



**FIG. 7**