



US00D602140S

(12) **United States Design Patent**
Thomas

(10) **Patent No.:** **US D602,140 S**
(45) **Date of Patent:** **** Oct. 13, 2009**

(54) **FIREPLACE**

(75) Inventor: **Stephane Thomas**, Annandale (AU)

(73) Assignee: **Fire Company Pty Ltd.**, Warriewood (AU)

(**) Term: **14 Years**

(21) Appl. No.: **29/322,908**

(22) Filed: **Aug. 14, 2008**

(30) **Foreign Application Priority Data**

Mar. 5, 2008 (EM) 000891353

(51) **LOC (9) Cl.** **23-01**

(52) **U.S. Cl.** **D23/343**

(58) **Field of Classification Search** D23/342-350;
392/348; 126/500, 544, 547; 431/125
See application file for complete search history.

(56) **References Cited**

U.S. PATENT DOCUMENTS

1,378,247 A * 5/1921 Lightfoot 392/425
D172,931 S * 8/1954 Kosmak D23/350
3,080,862 A * 3/1963 Desgagne 126/521
4,404,953 A * 9/1983 Thulman et al. 126/77

D305,928 S * 2/1990 Heger D23/350
D411,293 S * 6/1999 Lipperini D23/342
D440,289 S * 4/2001 Olson et al. D23/350
D450,822 S * 11/2001 Mills D23/350
D561,317 S * 2/2008 Ou et al. D23/344

* cited by examiner

Primary Examiner—T. Chase Nelson

Assistant Examiner—Eric L Goodman

(74) *Attorney, Agent, or Firm*—Millen, White, Zelano & Branigan, P.C.

(57) **CLAIM**

The new ornamental design for a fireplace, as shown and described.

DESCRIPTION

FIG. 1 is a front perspective view of the fireplace;

FIG. 2 is a front view of the fireplace;

FIG. 3 is a side view of the fireplace;

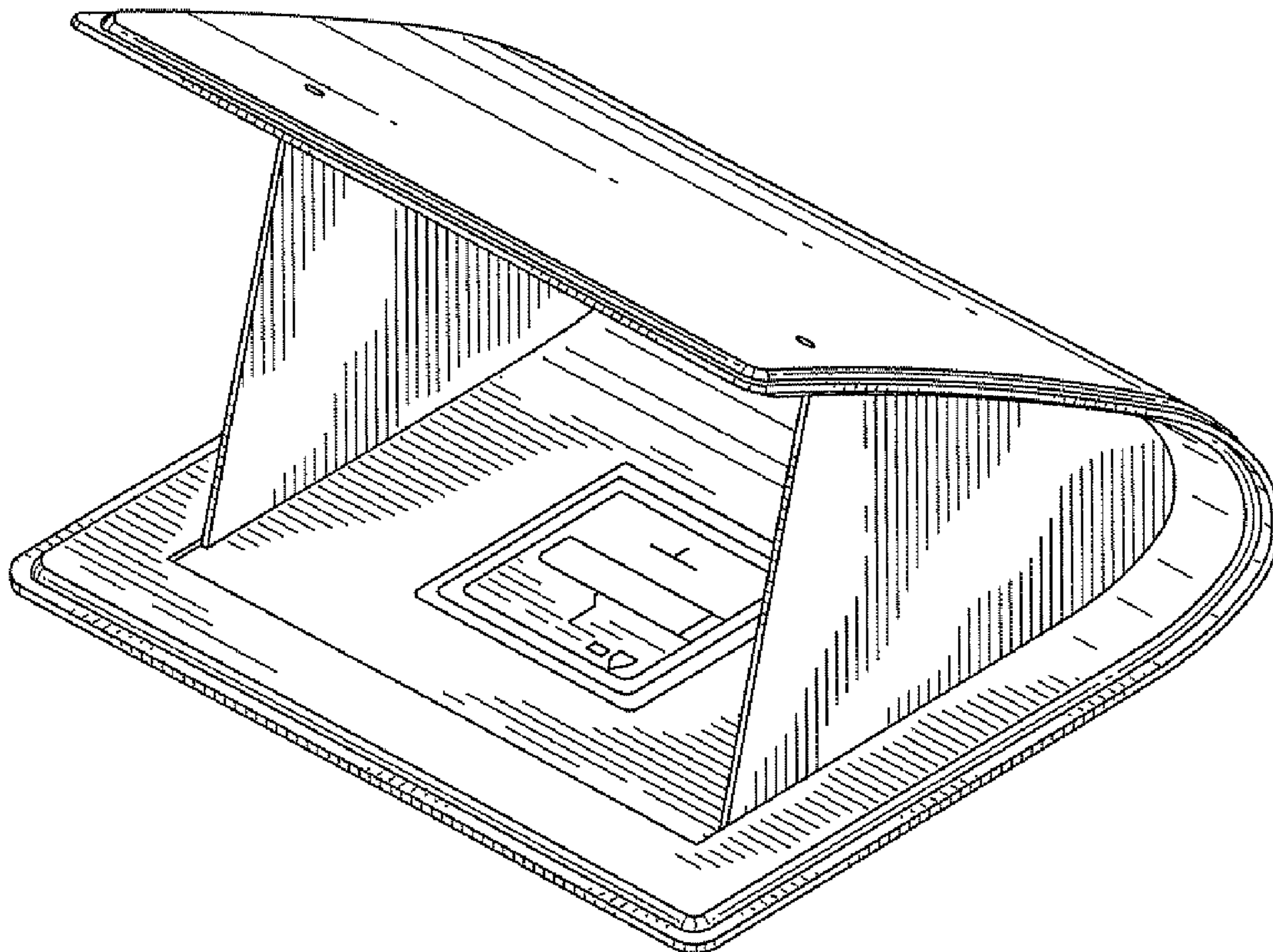
FIG. 4 is a top view of the fireplace;

FIG. 5 is a rear view of the fireplace;

FIG. 6 is a bottom view of the fireplace; and,

FIG. 7 is a bottom perspective view of the fireplace.

1 Claim, 4 Drawing Sheets



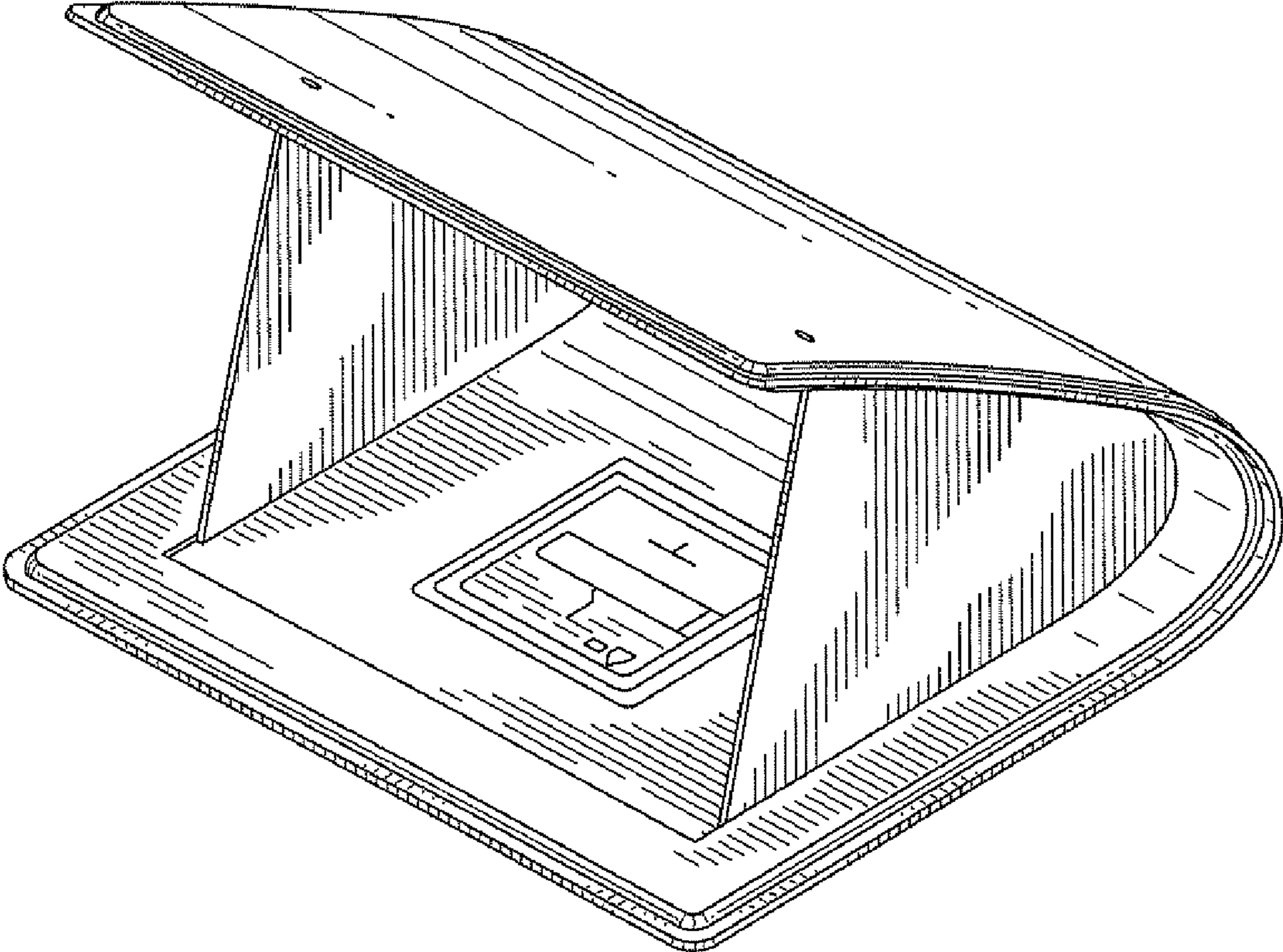


FIG. 1

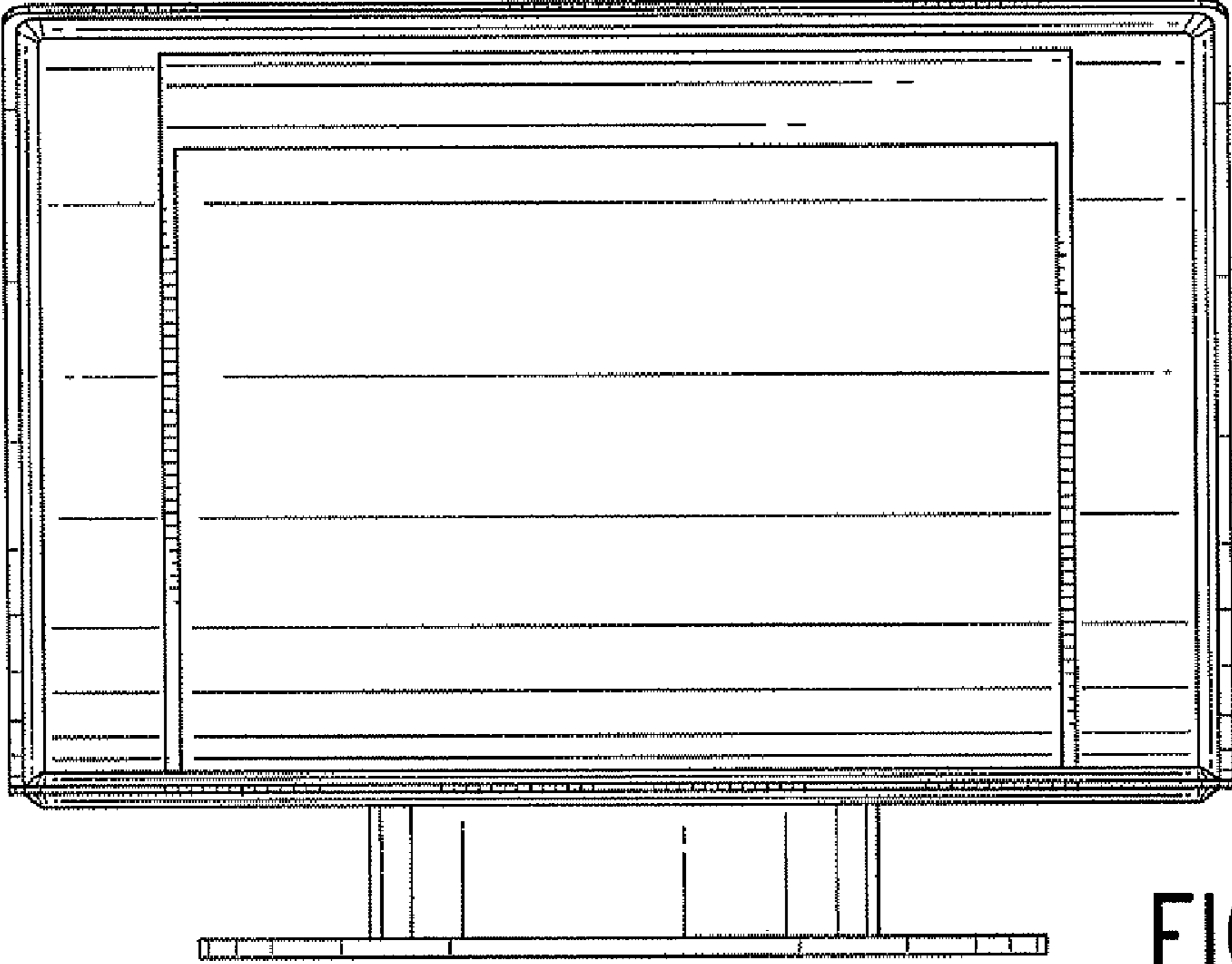


FIG. 2

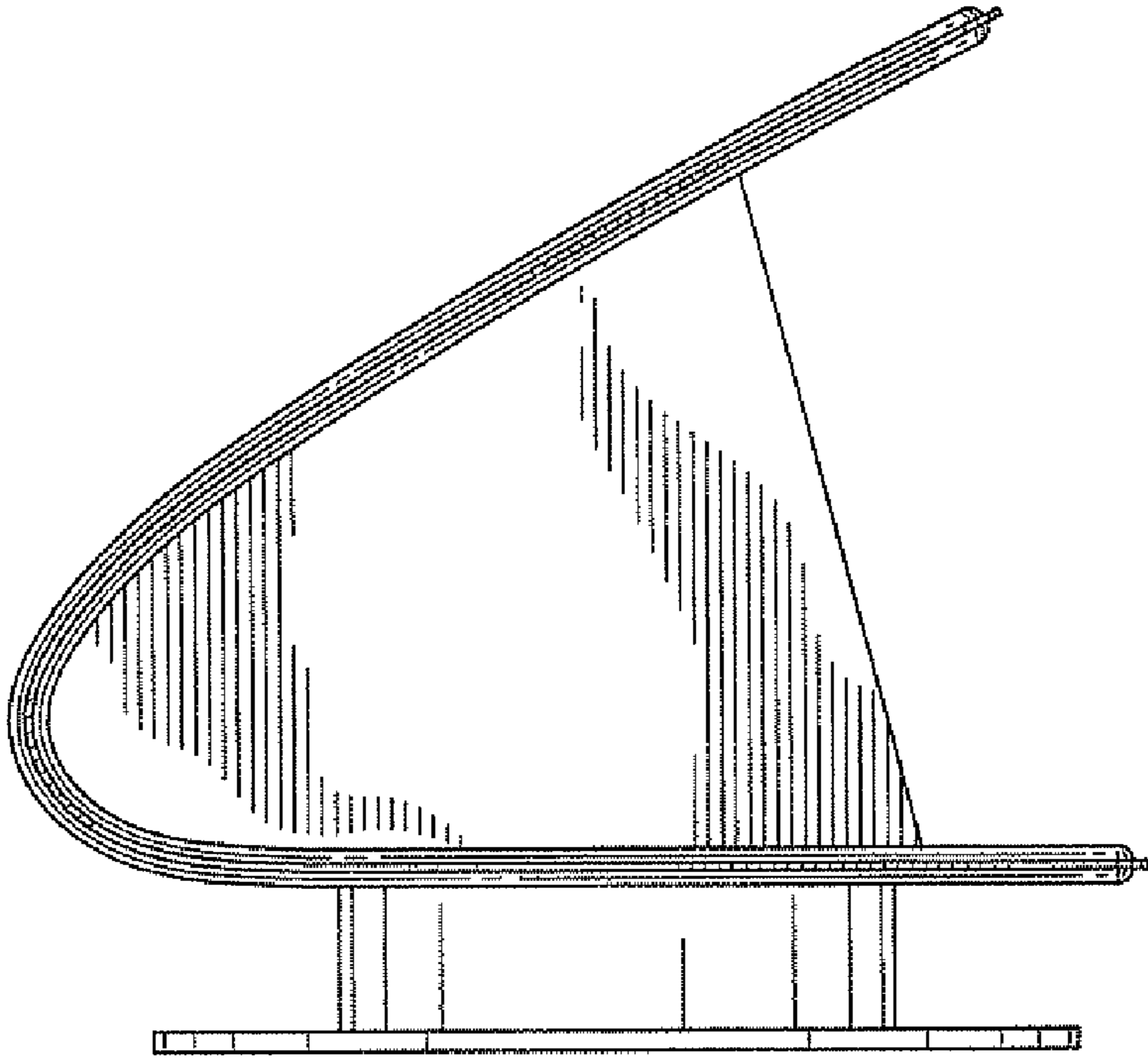


FIG. 3

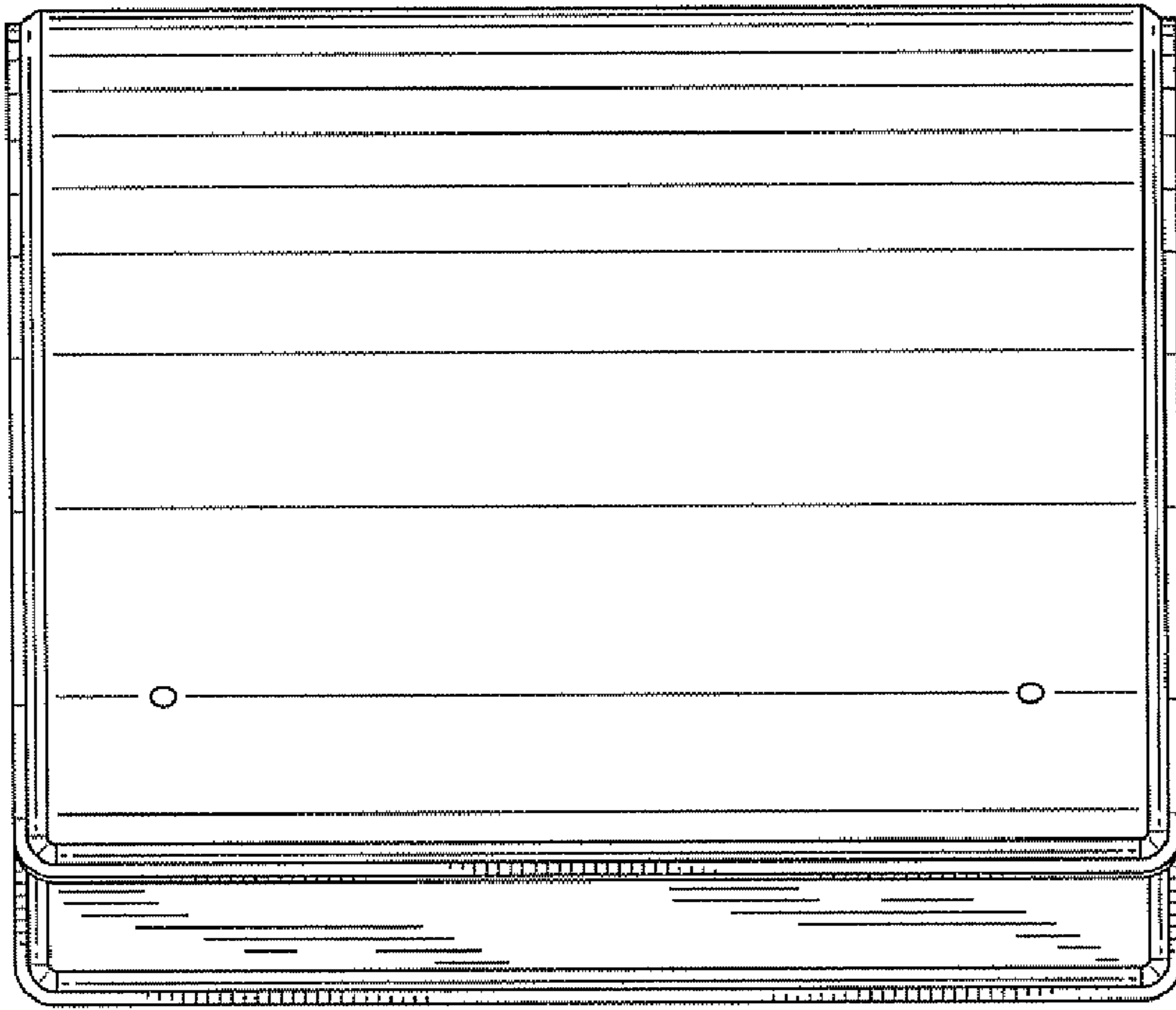


FIG. 4

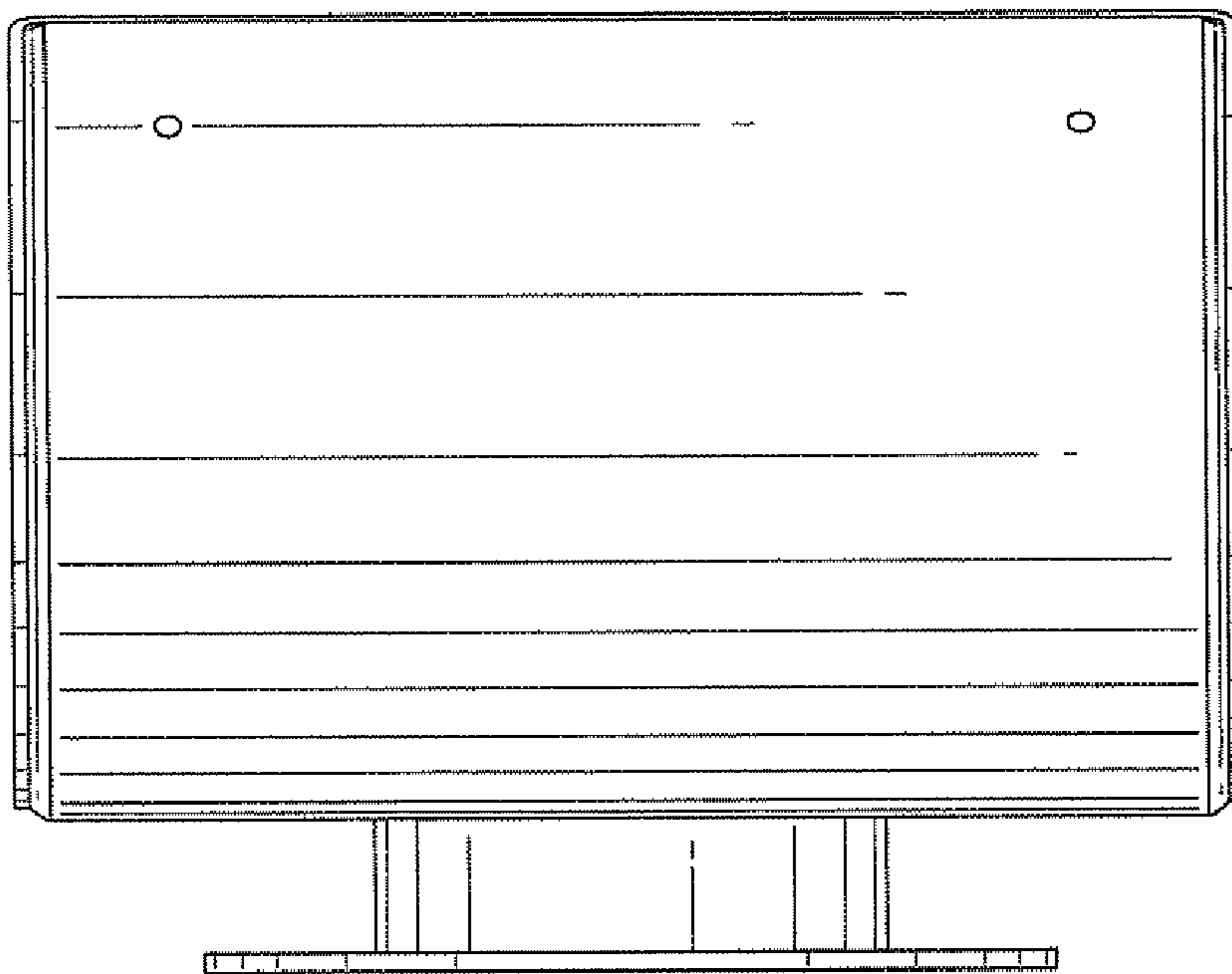


FIG. 5

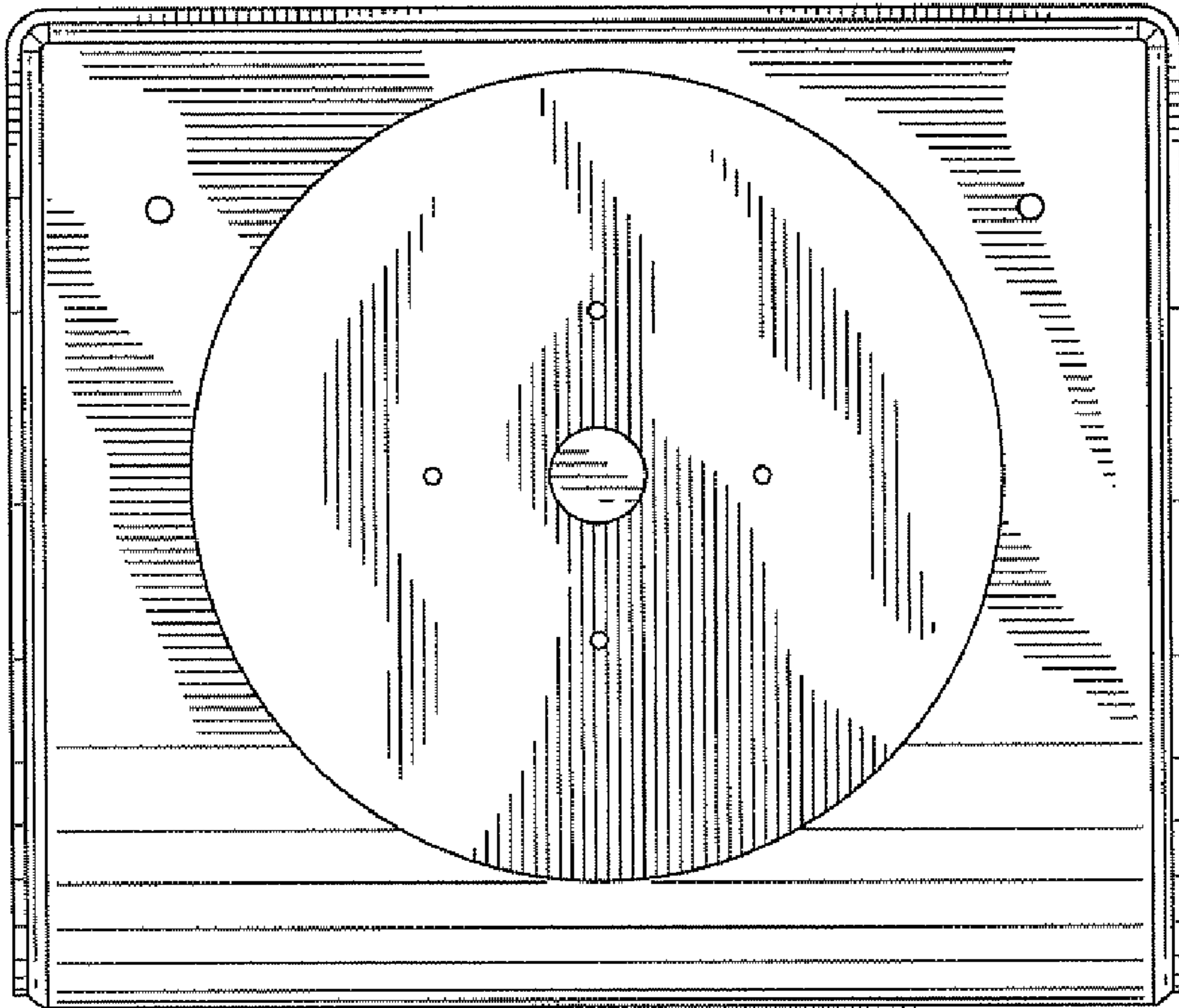


FIG. 6

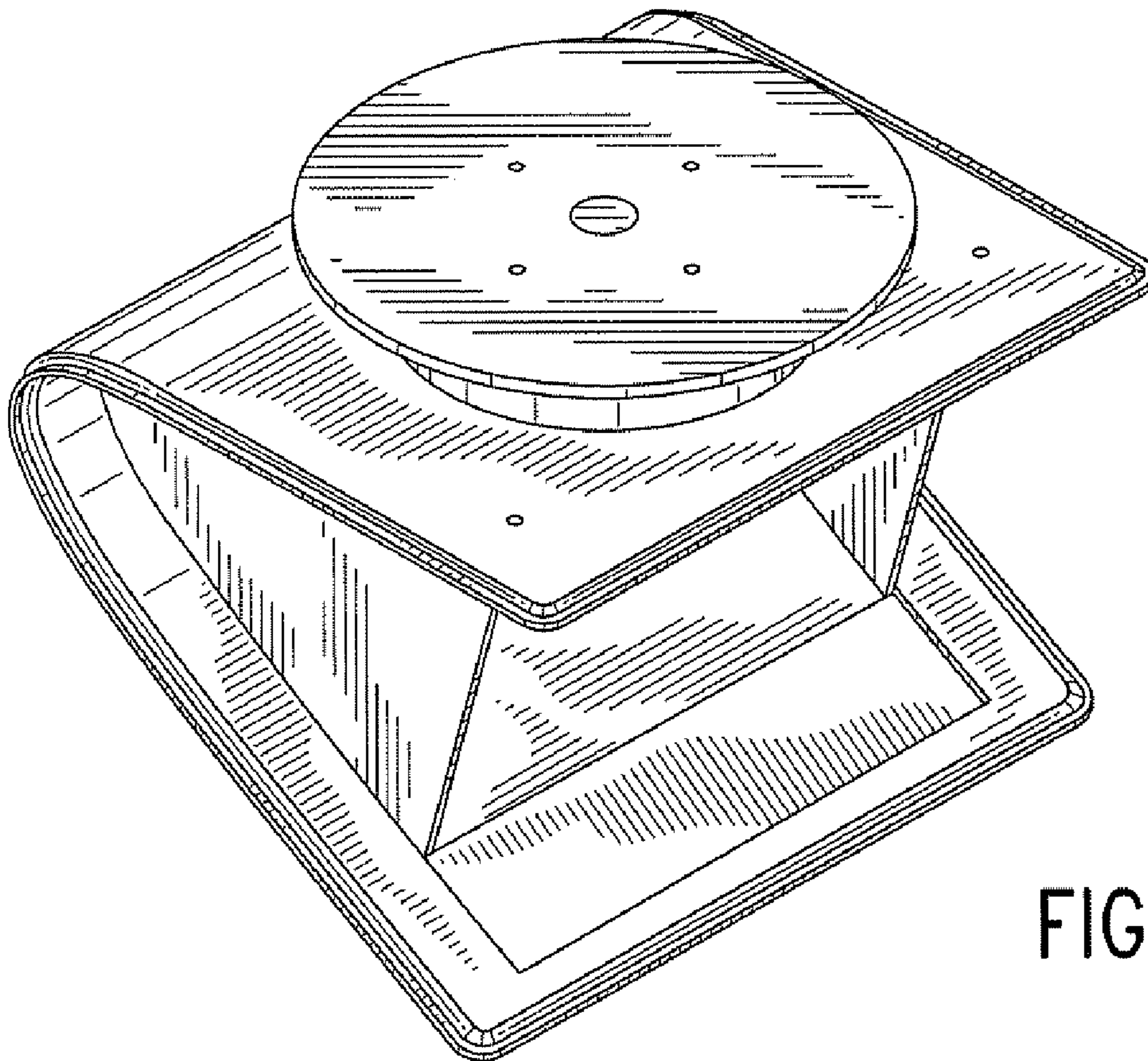


FIG. 7

UNITED STATES PATENT AND TRADEMARK OFFICE
CERTIFICATE OF CORRECTION

PATENT NO. : Des. 602,140 S
APPLICATION NO. : 29/322908
DATED : October 13, 2009
INVENTOR(S) : Stephane Thomas

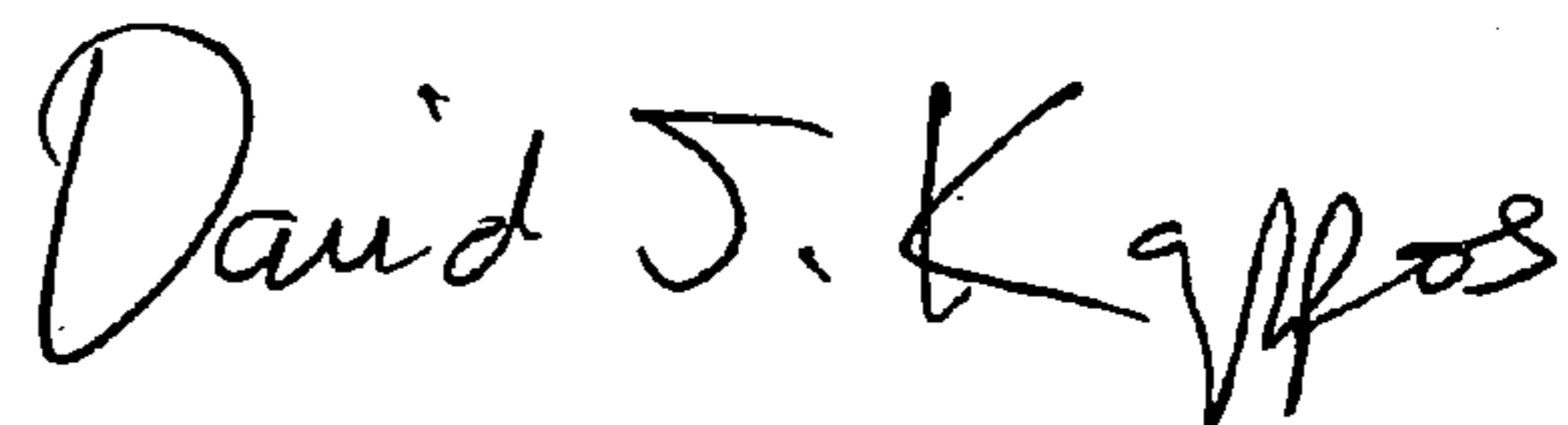
Page 1 of 1

It is certified that error appears in the above-identified patent and that said Letters Patent is hereby corrected as shown below:

Title page, item [30] Under Foreign Application Priority Data reads
"Mar. 5, 2008 (EM)000891353"
should read --Mar. 5, 2008 (EU)000891353--

Signed and Sealed this

Thirtieth Day of March, 2010



David J. Kappos
Director of the United States Patent and Trademark Office