



US00D602137S

(12) **United States Design Patent**
Kergoet

(10) **Patent No.:** **US D602,137 S**

(45) **Date of Patent:** **** Oct. 13, 2009**

(54) **PLUMBING FIXTURE**

(75) Inventor: **Francois Kergoet**, Malakoff (FR)

(73) Assignee: **Kohler France SAS**, Paris (FR)

(**) Term: **14 Years**

(21) Appl. No.: **29/304,369**

(22) Filed: **Feb. 29, 2008**

(51) **LOC (9) Cl.** **23-01**

(52) **U.S. Cl.** **D23/295**

(58) **Field of Classification Search** D23/273–274,
D23/299–301, 303, 309, 313; 4/663–664,
4/328, 329, 353, 420, 661, DIG. 15
See application file for complete search history.

(56) **References Cited**

U.S. PATENT DOCUMENTS

D412,742 S *	8/1999	Soulier	D23/301
D416,314 S	11/1999	Chiu		
D457,608 S	5/2002	Moll		
D460,812 S	7/2002	Tani		
D483,448 S	12/2003	Ruxchaivan		
D485,604 S	1/2004	Good et al.		
D501,916 S	2/2005	Kakahana		
D514,208 S *	1/2006	Gordon	D23/301
D520,614 S	5/2006	Tani		
D558,313 S	12/2007	Igarashi et al.		
D558,863 S	1/2008	Taguchi		
D582,530 S *	12/2008	Cummings et al.	D23/301

OTHER PUBLICATIONS

Jacob Delafon. Altair and "Patio". Jacob Delafon catalog.

Sterling. "Windham 12" Rough-in Round-Front Toilet". Model No. 402015. Copyright 2007 Kohler Co.

Jacob Delafon. "Presquile". Remont-Market.ru online catalog. Copyright 2005 Remont-Market.

* cited by examiner

Primary Examiner—Robert A Delehanty

(74) *Attorney, Agent, or Firm*—Quarles & Brady LLP

(57) **CLAIM**

The ornamental design for a plumbing fixture, as shown and described.

DESCRIPTION

In a preferred embodiment, the nature of this product is as a plumbing fixture in the form of a water closet and a base for a water closet.

FIG. 1 is a right, top, front perspective view of a plumbing fixture embodying my new design;

FIG. 2 is a top plan view thereof;

FIG. 3 is a front elevational view thereof;

FIG. 4 is a right side elevational view thereof, the left side elevational view thereof being a mirror image of the right side shown;

FIG. 5 is a rear elevational view thereof; and,

FIG. 6 is a bottom plan view thereof.

The broken line representations in the figures are for the purpose of illustration only, and form no part of the claimed design.

1 Claim, 3 Drawing Sheets

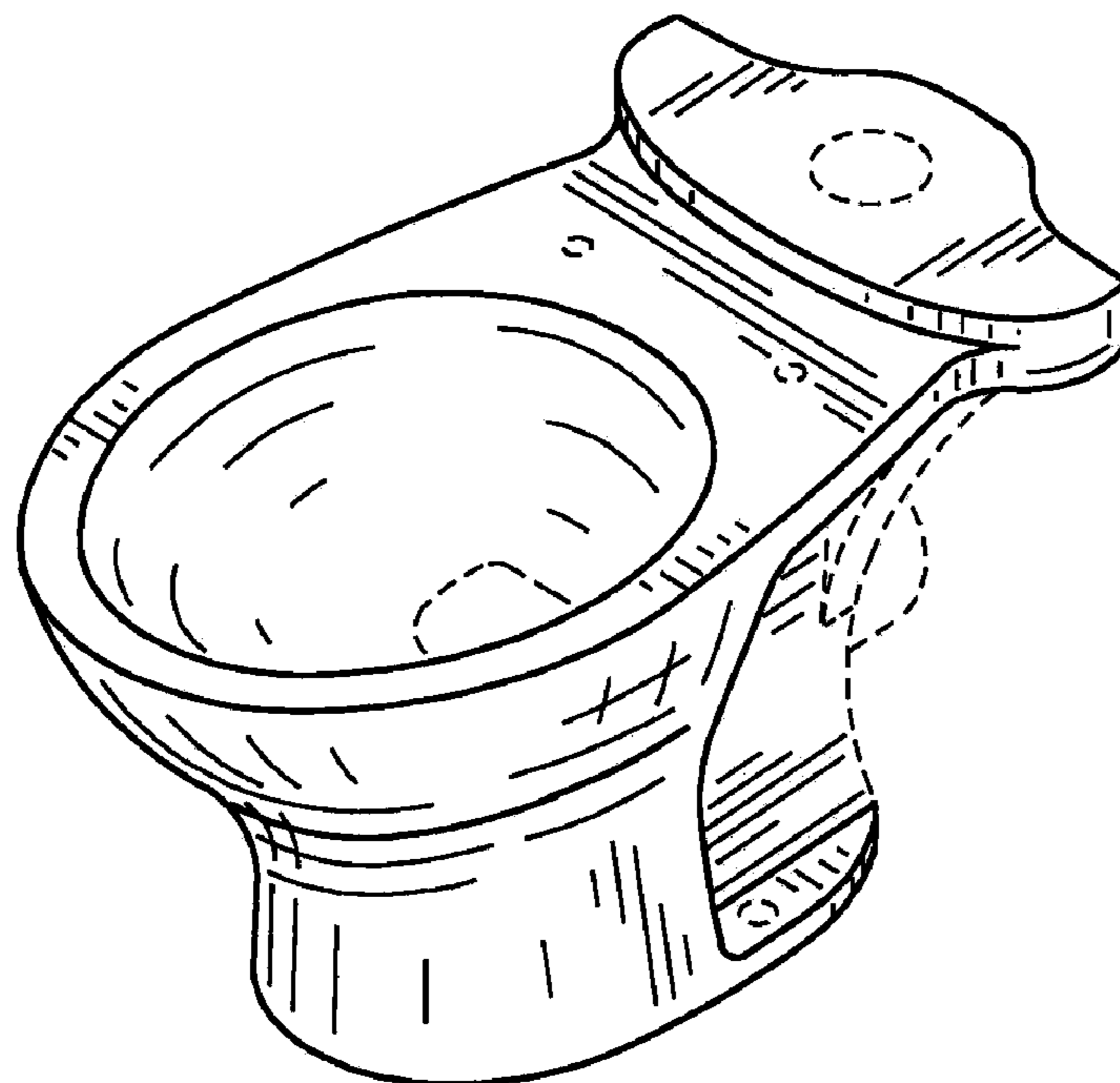


FIG. 1

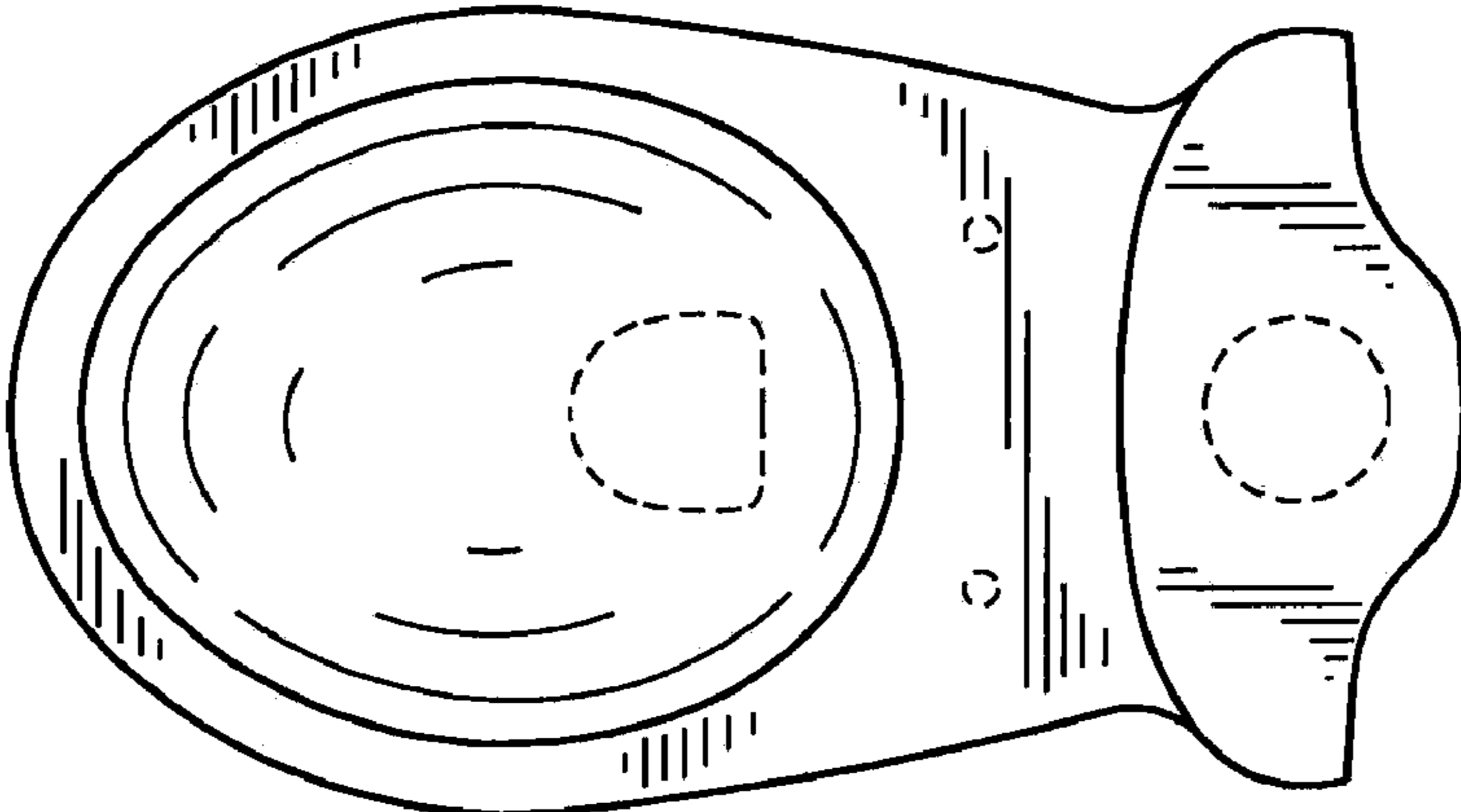
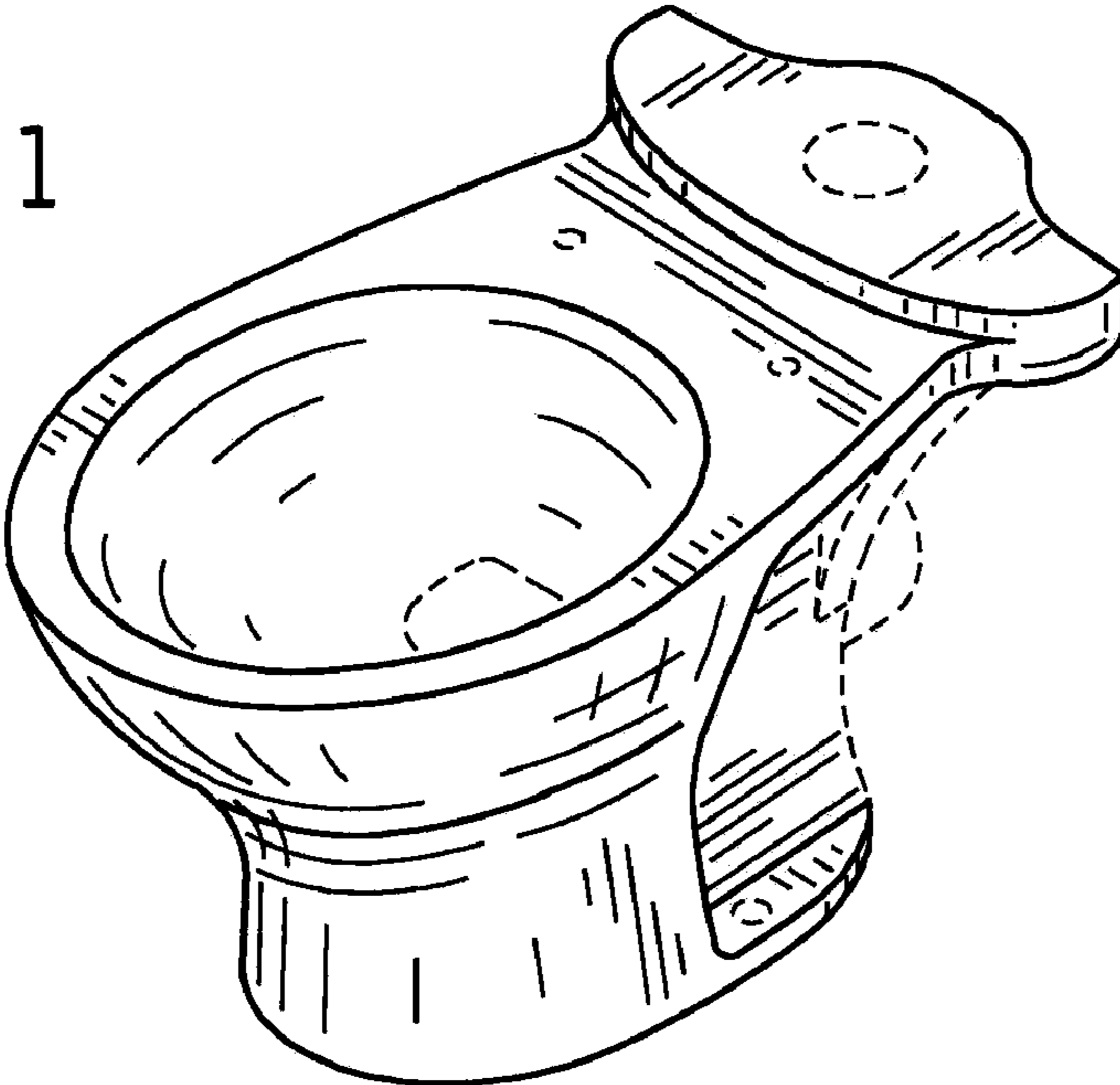


FIG. 2

FIG. 3

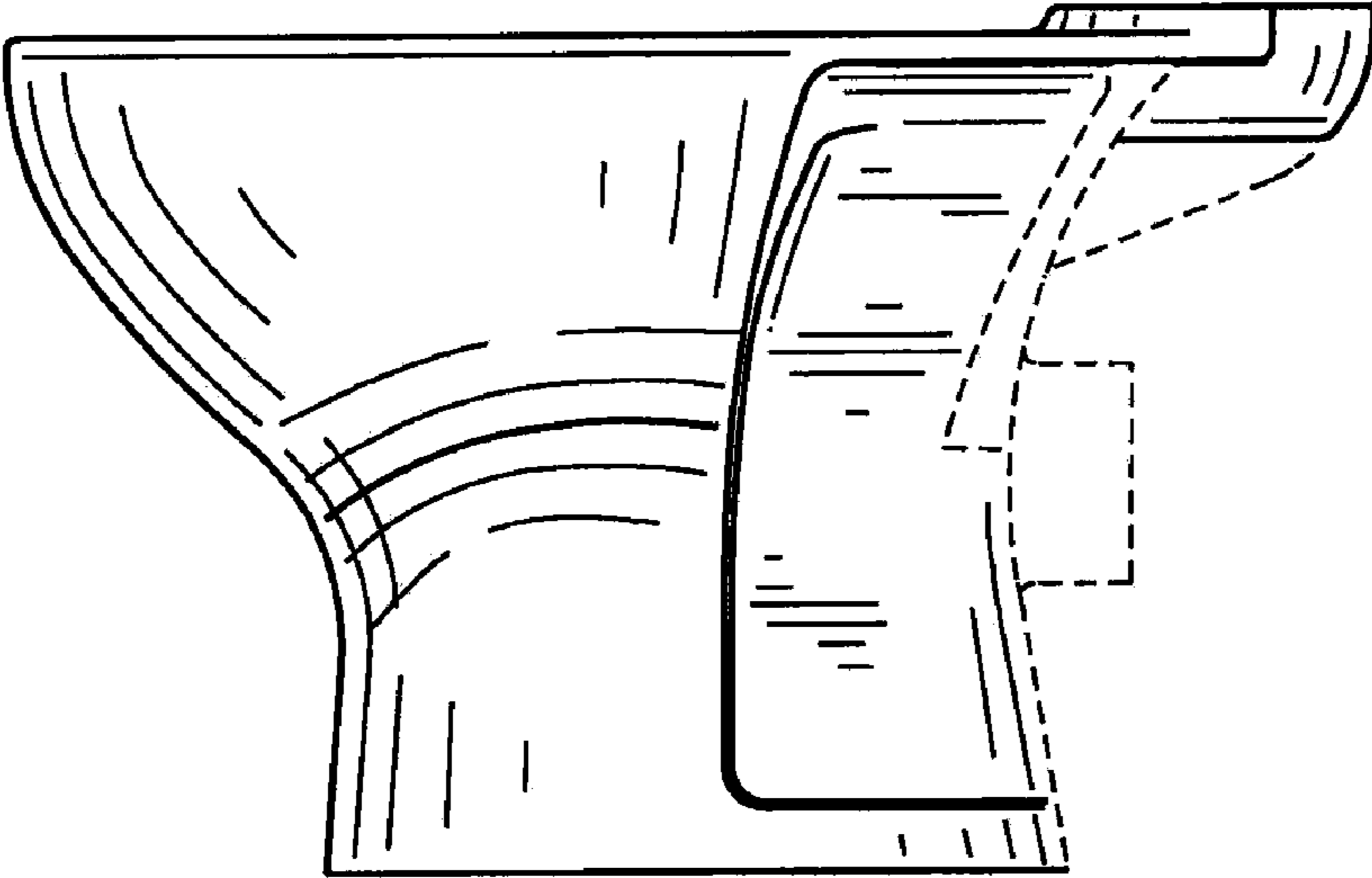
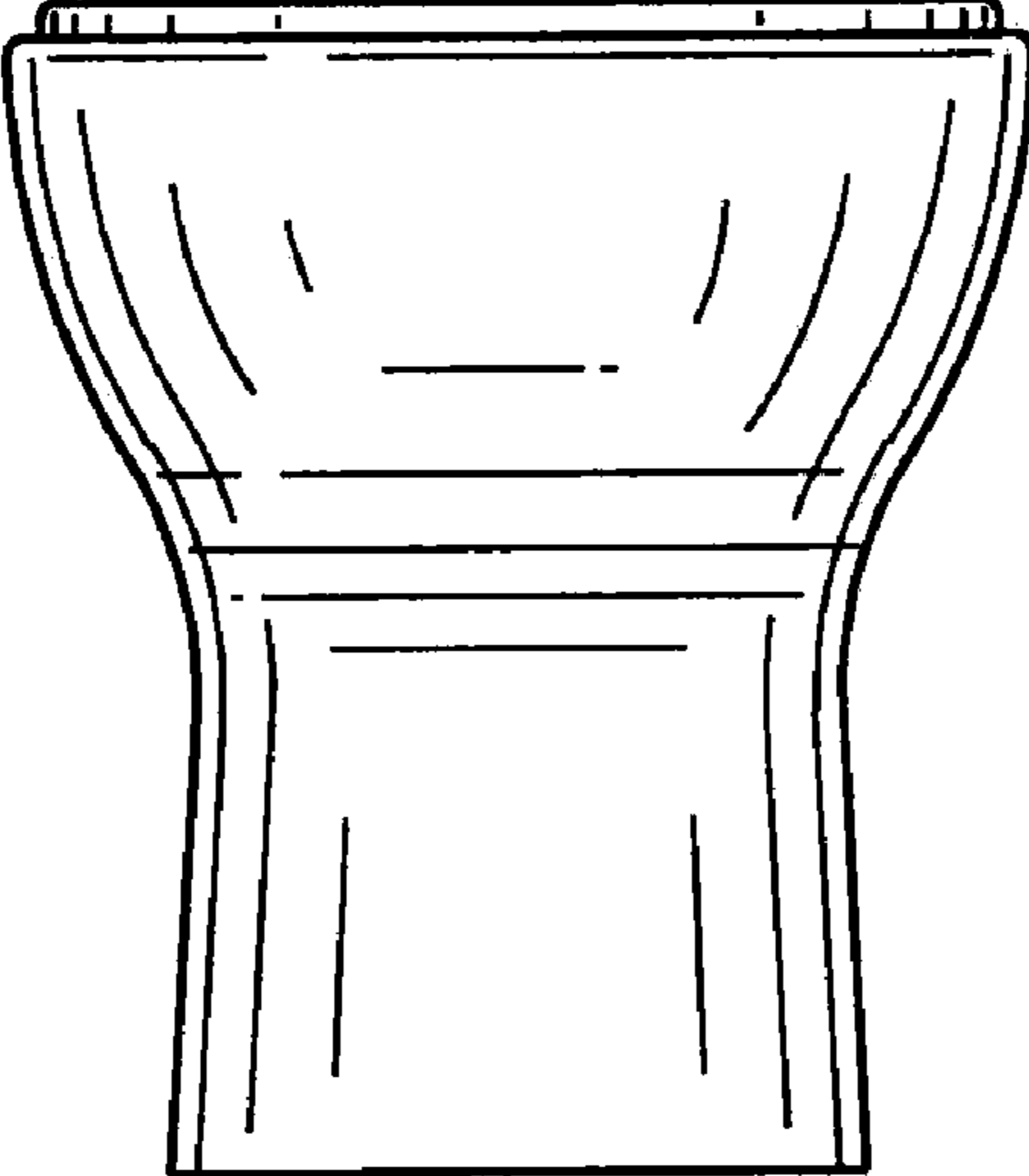


FIG. 4

FIG. 5

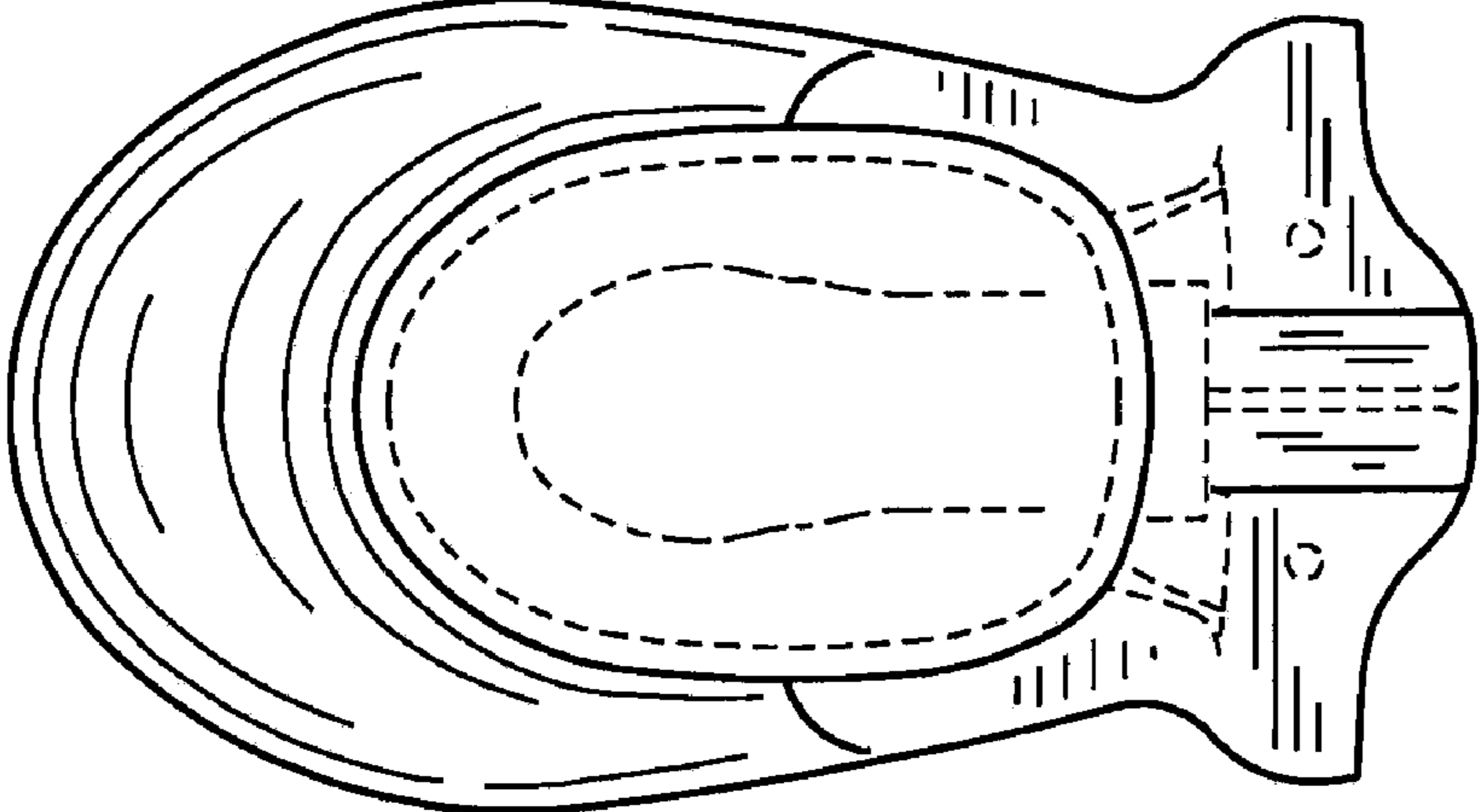
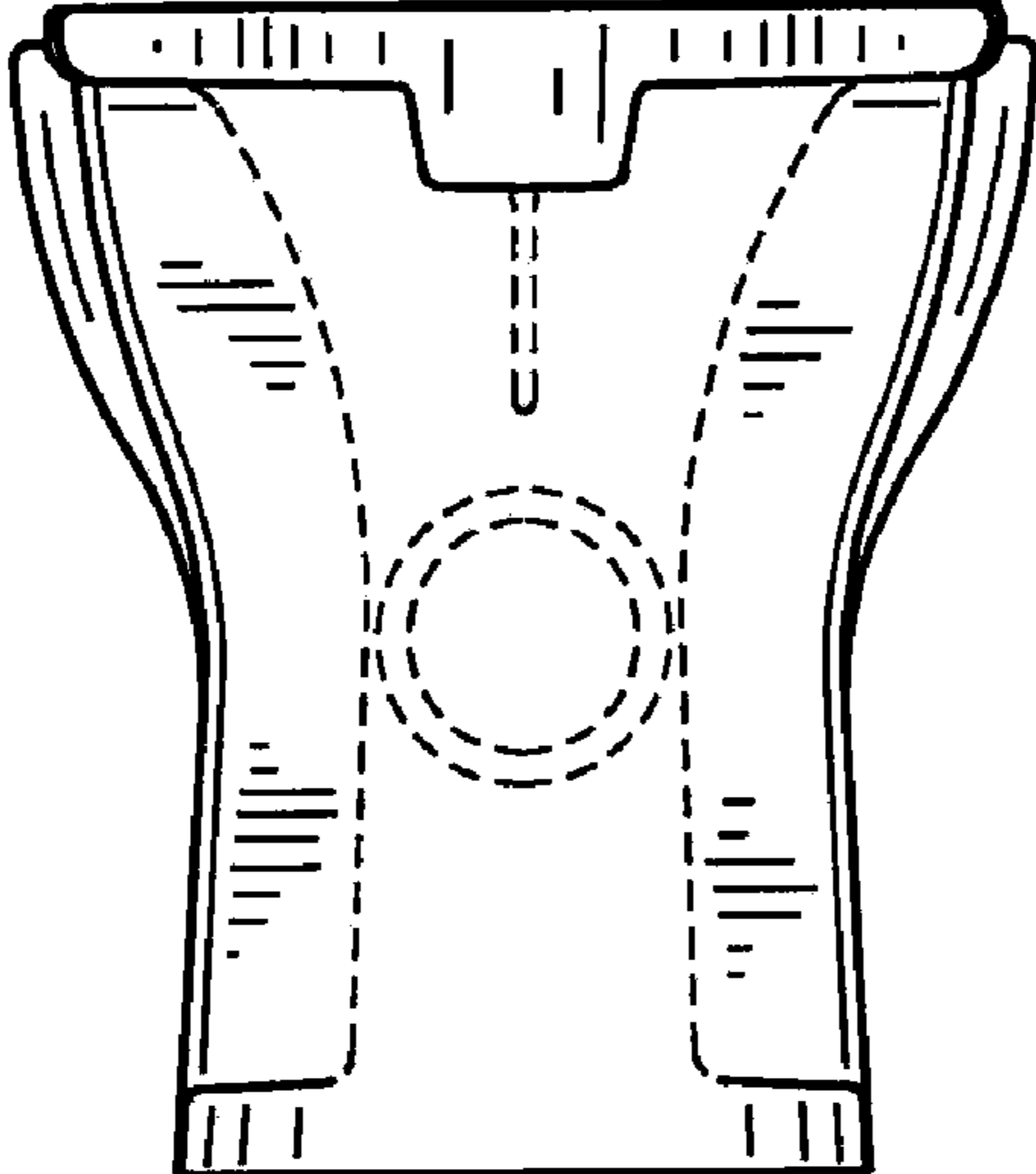


FIG. 6