



US00D602136S

(12) **United States Design Patent**  
**Lee et al.**

(10) **Patent No.:** **US D602,136 S**  
(45) **Date of Patent:** **\*\* Oct. 13, 2009**

- (54) **HEAVY DUTY UTILITY TUB**
- (75) Inventors: **Chia Ying Lee**, Chicago, IL (US);  
**Victor Hoernig**, Lowell, IN (US)
- (73) Assignee: **American Shower and Bath**,  
Moorestown, NJ (US)
- (\*\*) Term: **14 Years**
- (21) Appl. No.: **29/296,515**
- (22) Filed: **Oct. 23, 2007**
- (51) **LOC (9) Cl.** ..... **23-02**
- (52) **U.S. Cl.** ..... **D23/287; D23/292**
- (58) **Field of Classification Search** ..... D23/270–271,  
D23/273–274, 284, 286–287, 292–293.1,  
D23/303, 308; 4/619, 630–631, 637–638,  
4/639, 643, 655, 660–661, DIG. 18; D6/397  
See application file for complete search history.

- D193,168 S \* 7/1962 Kanoff ..... D23/308
- 5,715,547 A \* 2/1998 Becker et al. .... 4/619
- 5,881,404 A \* 3/1999 Knight ..... 4/645
- D464,715 S \* 10/2002 Zarker ..... D23/284
- D583,445 S \* 12/2008 Lee et al. .... D23/284

\* cited by examiner

*Primary Examiner*—Robert A Delehanty  
(74) *Attorney, Agent, or Firm*—Carlson, Gaskey & Ilds

(57) **CLAIM**

We claim the ornamental design for a heavy duty utility tub,  
as shown and described.

**DESCRIPTION**

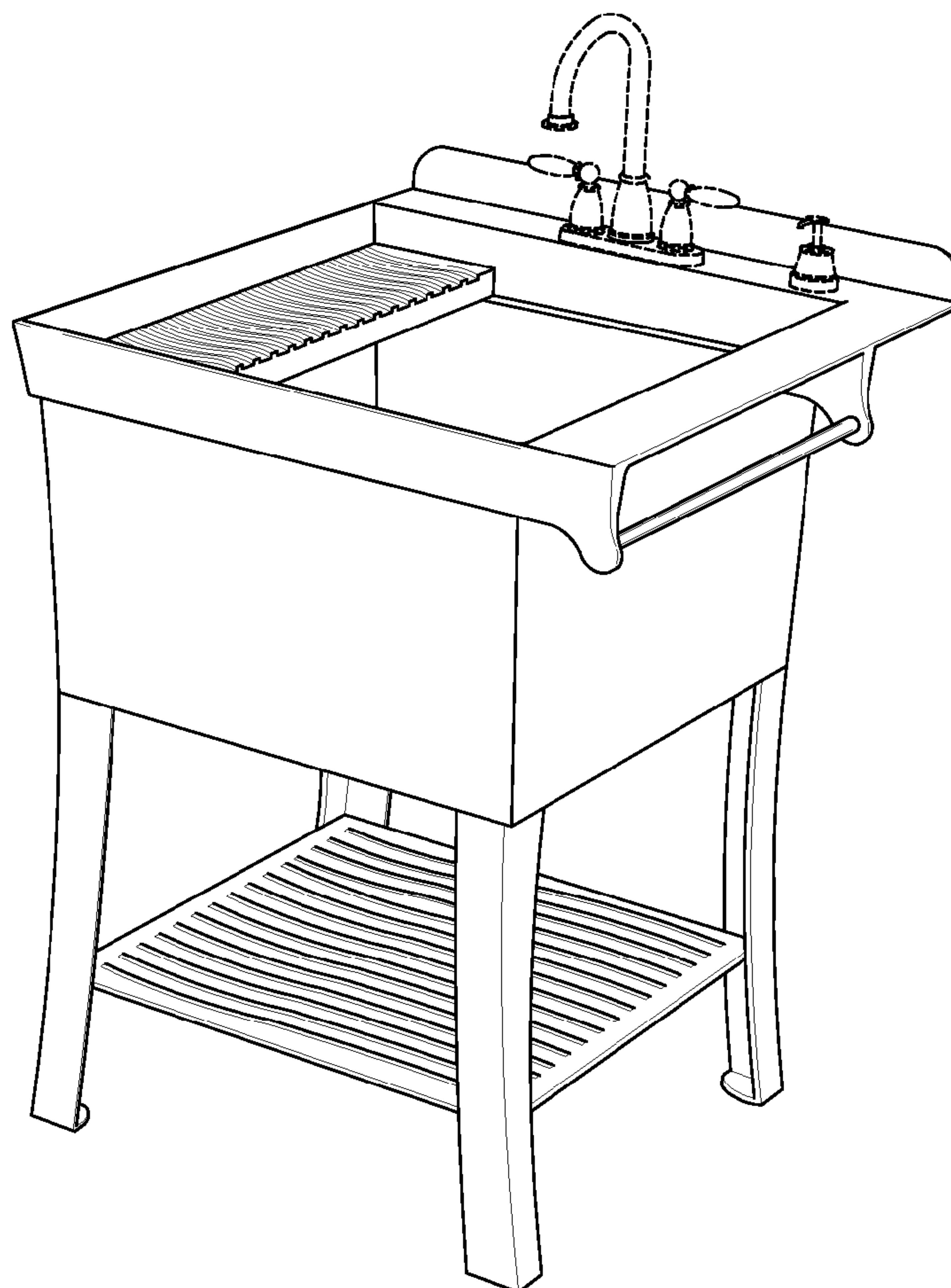
FIG. 1 is a perspective view of the heavy duty utility tub.  
FIG. 2 is a front view of the heavy duty utility tub.  
FIG. 3 is a first side view of the heavy duty utility tub.  
FIG. 4 is a second side view of the heavy duty utility tub; and,  
FIG. 5 is a top view of the heavy duty utility tub.

(56) **References Cited**

**U.S. PATENT DOCUMENTS**

- D175,850 S \* 10/1955 Mustee ..... D23/293.1

**1 Claim, 2 Drawing Sheets**



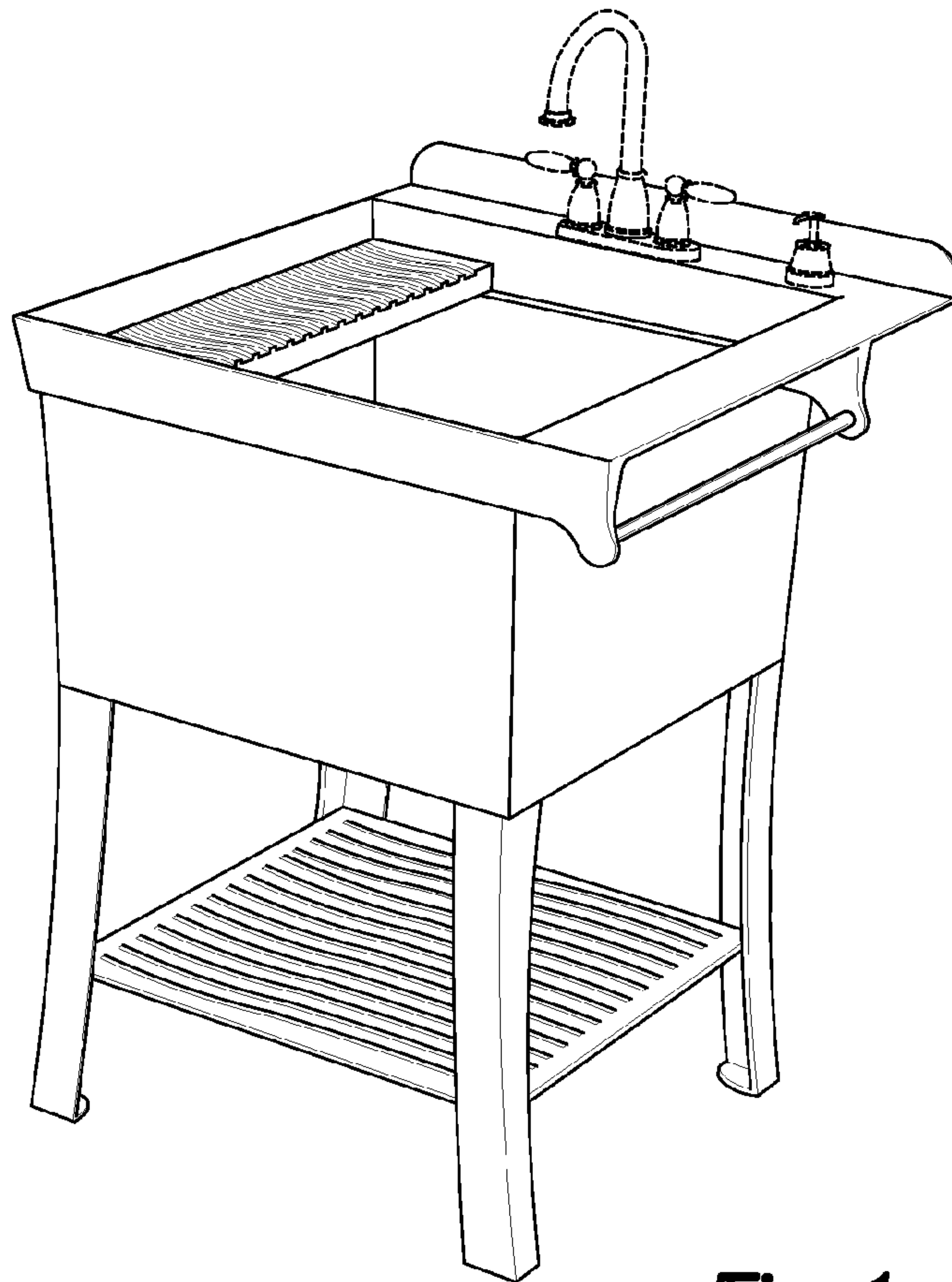


Fig-1

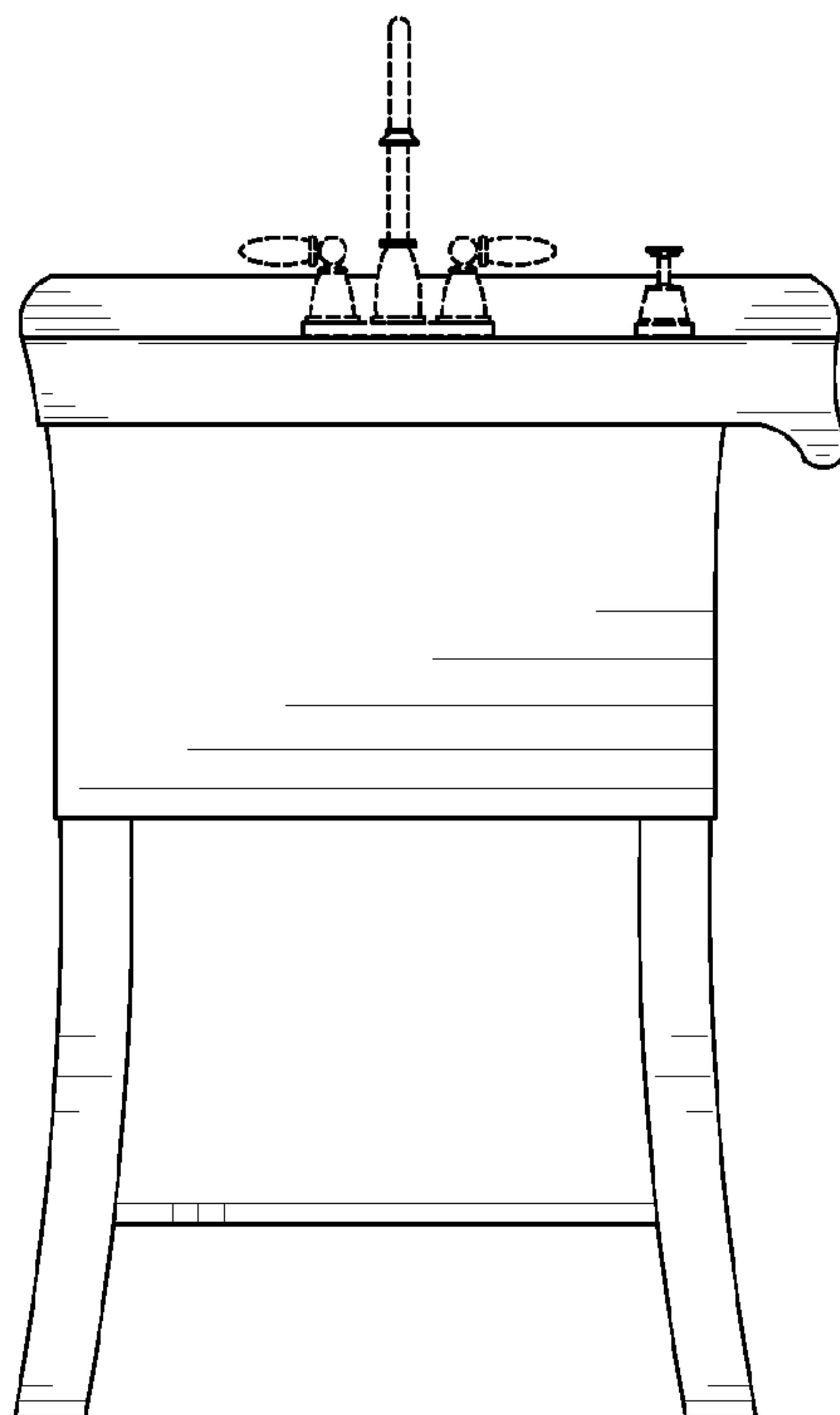


Fig-2

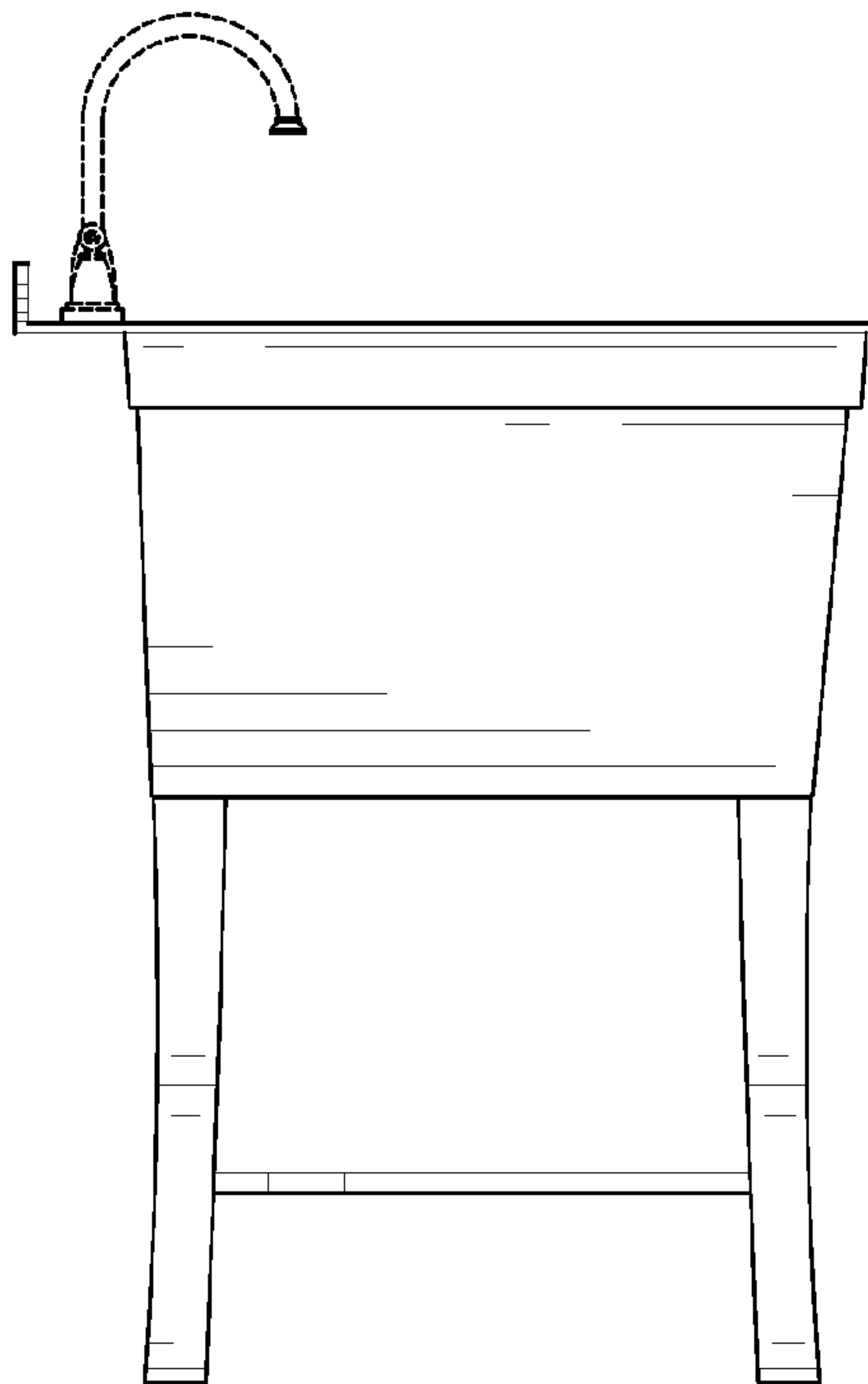


Fig-3

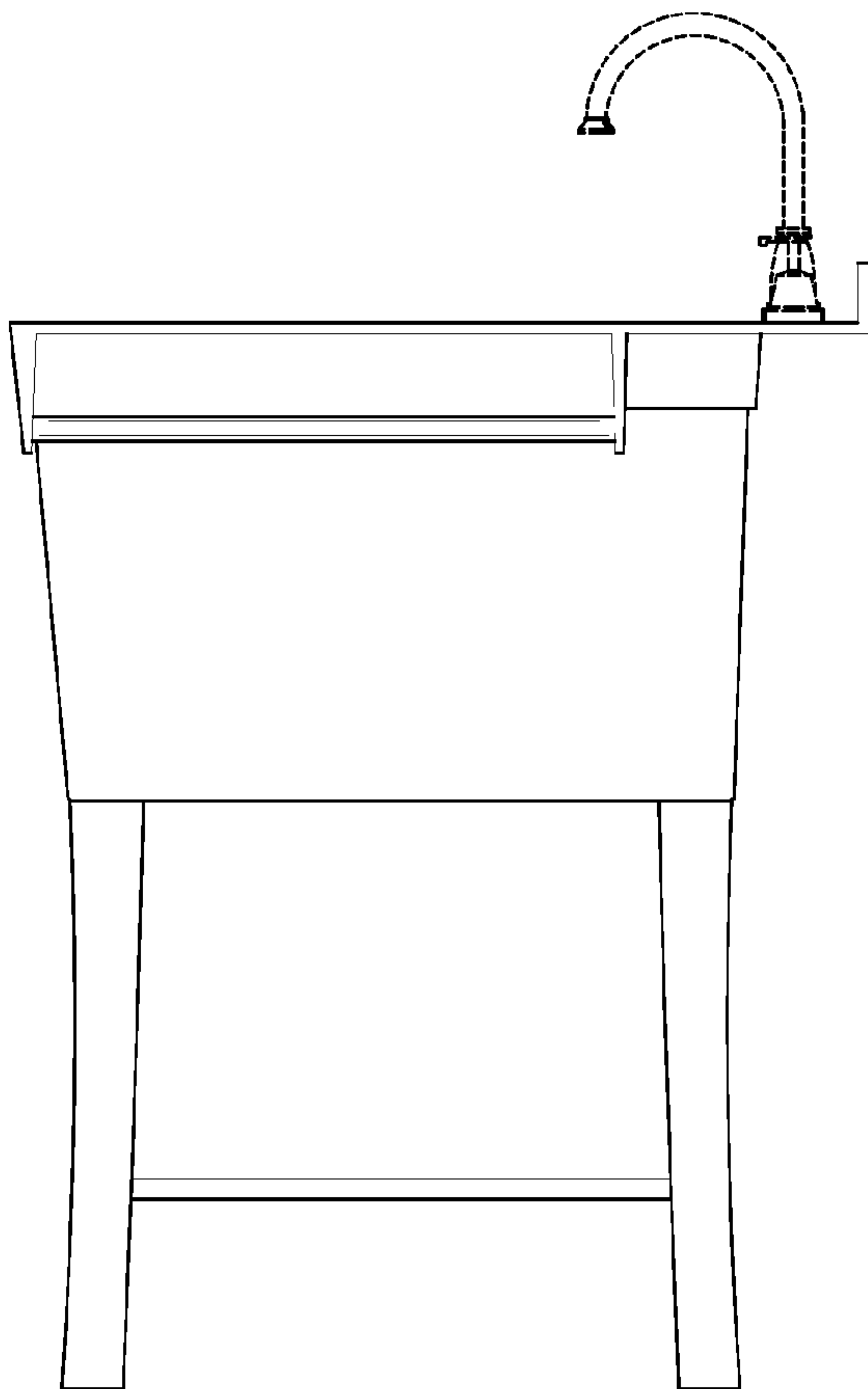


Fig-4

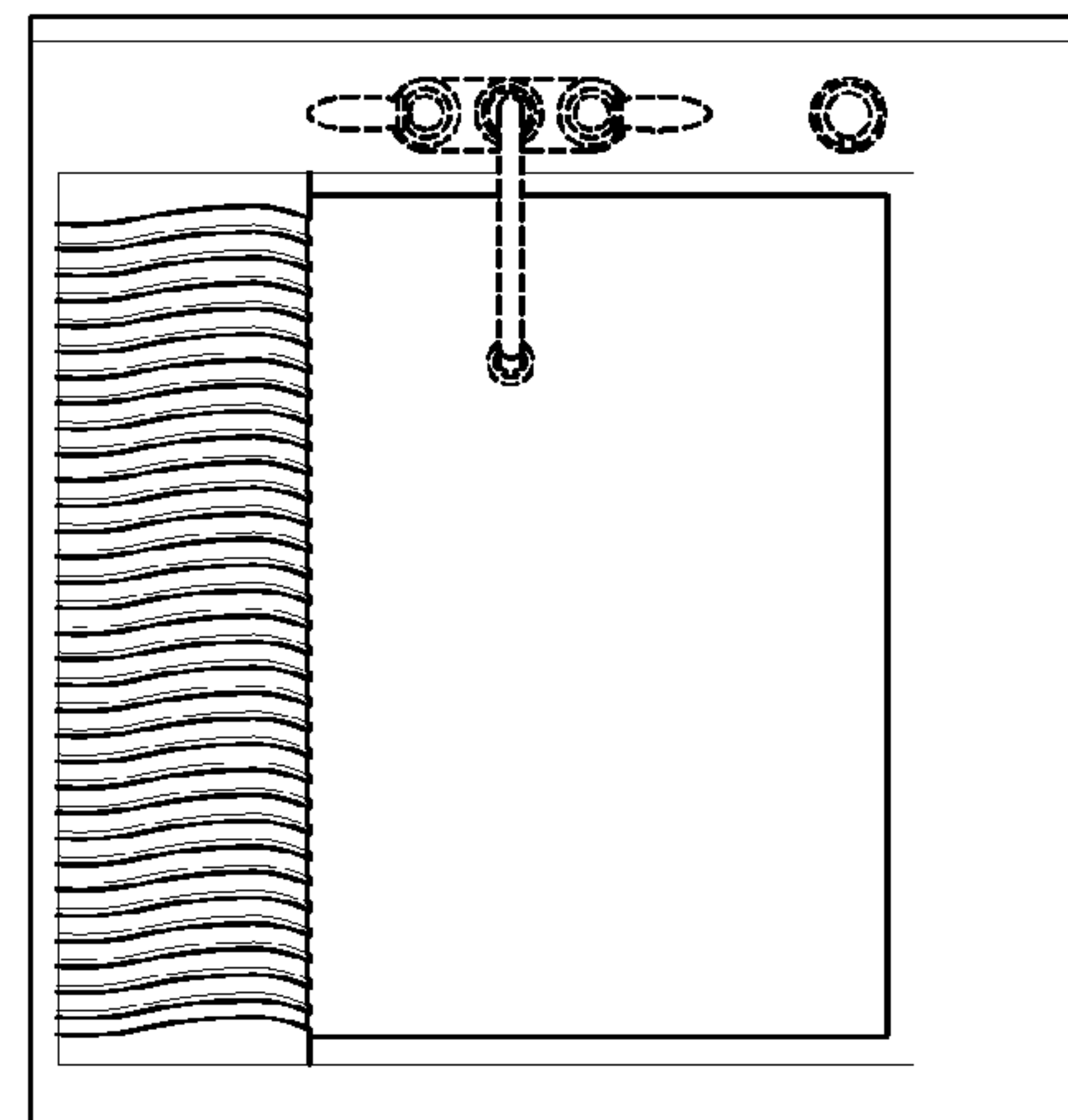


Fig-5