



US00D602135S

(12) **United States Design Patent**
LeTourneau

(10) **Patent No.:** **US D602,135 S**
(45) **Date of Patent:** **** Oct. 13, 2009**

(54) **PLUMBING FIXTURE SUPPORT**

(75) Inventor: **Alexander V. LeTourneau**, Sheboygan, WI (US)

(73) Assignee: **Kohler Co.**, Kohler, WI (US)

(**) Term: **14 Years**

(21) Appl. No.: **29/306,097**

(22) Filed: **Apr. 2, 2008**

(51) **LOC (9) Cl.** **23-02**

(52) **U.S. Cl.** **D23/286; D6/397**

(58) **Field of Classification Search** D23/270–271, D23/273–274, 284, 286–287, 292–293.1, D23/303, 308; 4/619, 630–631, 637–638, 4/639, 643, 655, 660–661, DIG. 18; D6/397, D6/432, 509, 422; D24/177
See application file for complete search history.

(56) **References Cited**

U.S. PATENT DOCUMENTS

D142,688 S *	10/1945	Beebe	D23/271
2,426,152 A *	8/1947	Meldahl	D23/286
D173,921 S *	1/1955	Weise	D23/271
D184,887 S *	4/1959	Ogg	D23/286
D227,891 S *	7/1973	Welsh	D23/286
D535,369 S *	1/2007	Sallick et al.	D23/286

OTHER PUBLICATIONS

Ann Sacks. Vanity. Ann Sacks online catalog.
Nameek's Total Bath Solutions. "Double Vanity Sink Unit 45".
HomePortfolio.com online catalog. Copyright 1997-2008 HomePortfolio Inc.
ModernBathroom.com. Perfecta Custom Double Bathroom Vanity with CaesarStone Countertop. Model No. SKU WHE011 Double. ModernBathroom.com online catalog. Copyright 2005-2007 Modern Bathroom.

* cited by examiner

Primary Examiner—Robert A Delehanty

(74) *Attorney, Agent, or Firm*—Quarles & Brady LLP

(57) **CLAIM**

The ornamental design for a plumbing fixture support, as shown and described.

DESCRIPTION

In a preferred embodiment, the nature of this product is a vanity such as can be used to support a lavatory.

FIG. 1 is a left, top, front perspective view of a plumbing fixture support embodying my new design;

FIG. 2 is a front elevational view thereof;

FIG. 3 is a left side elevational view thereof, the right side elevational view thereof being a mirror image of the left side shown;

FIG. 4 is a top plan view thereof;

FIG. 5 is a rear elevational view thereof;

FIG. 6 is a bottom plan view thereof;

FIG. 7 is a left, top, front perspective view of another embodiment of my new design having a transparent bottom panel, the front, left side and rear elevational views thereof being otherwise as shown in respective FIGS. 2, 3 and 5 and the top plan view thereof being otherwise as shown in FIG. 4; and, FIG. 8 is a bottom plan view thereof.

The broken line representations in the figures are for the purpose of illustration only, and form no part of the claimed design.

1 Claim, 4 Drawing Sheets

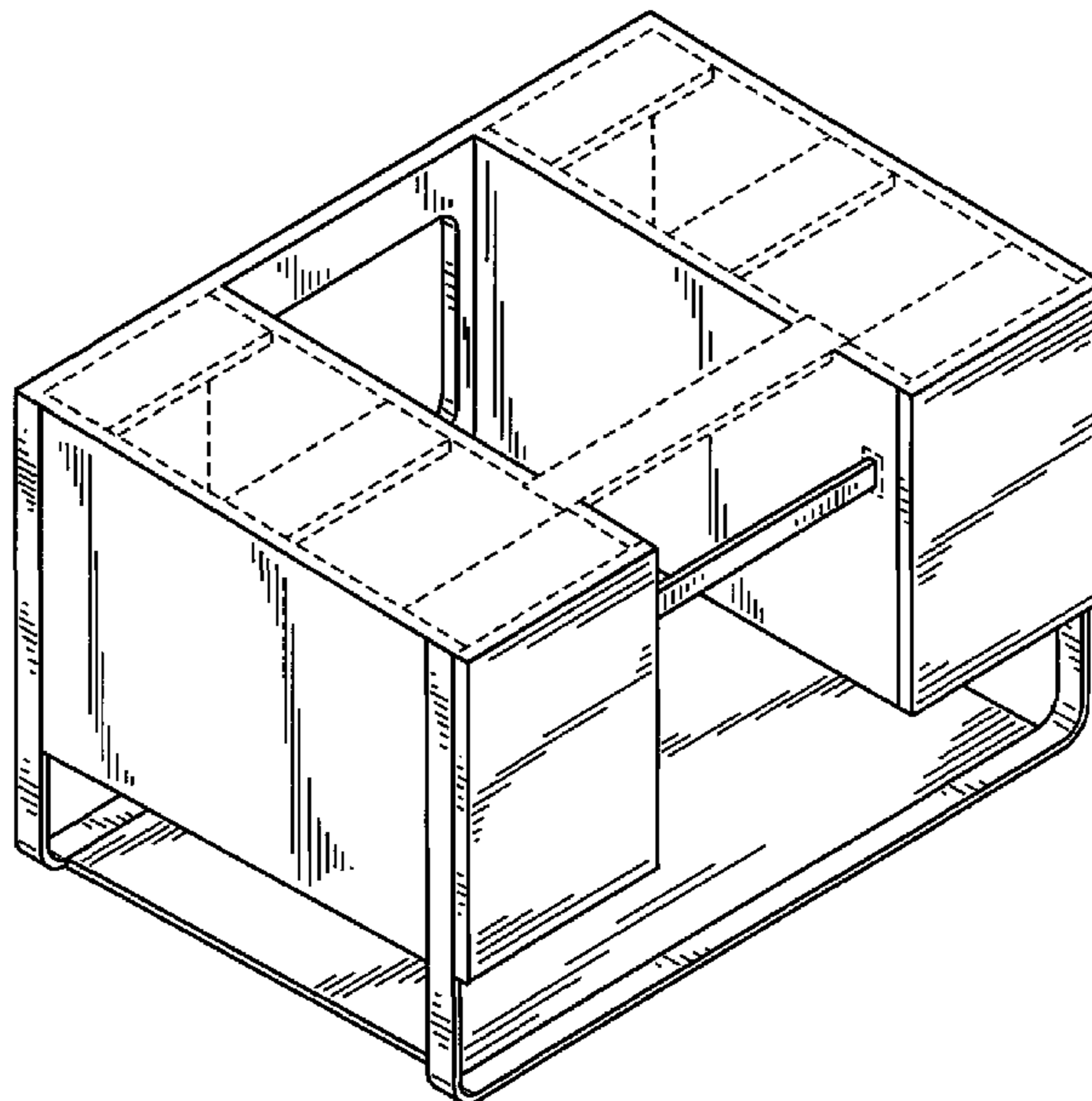


FIG. 1

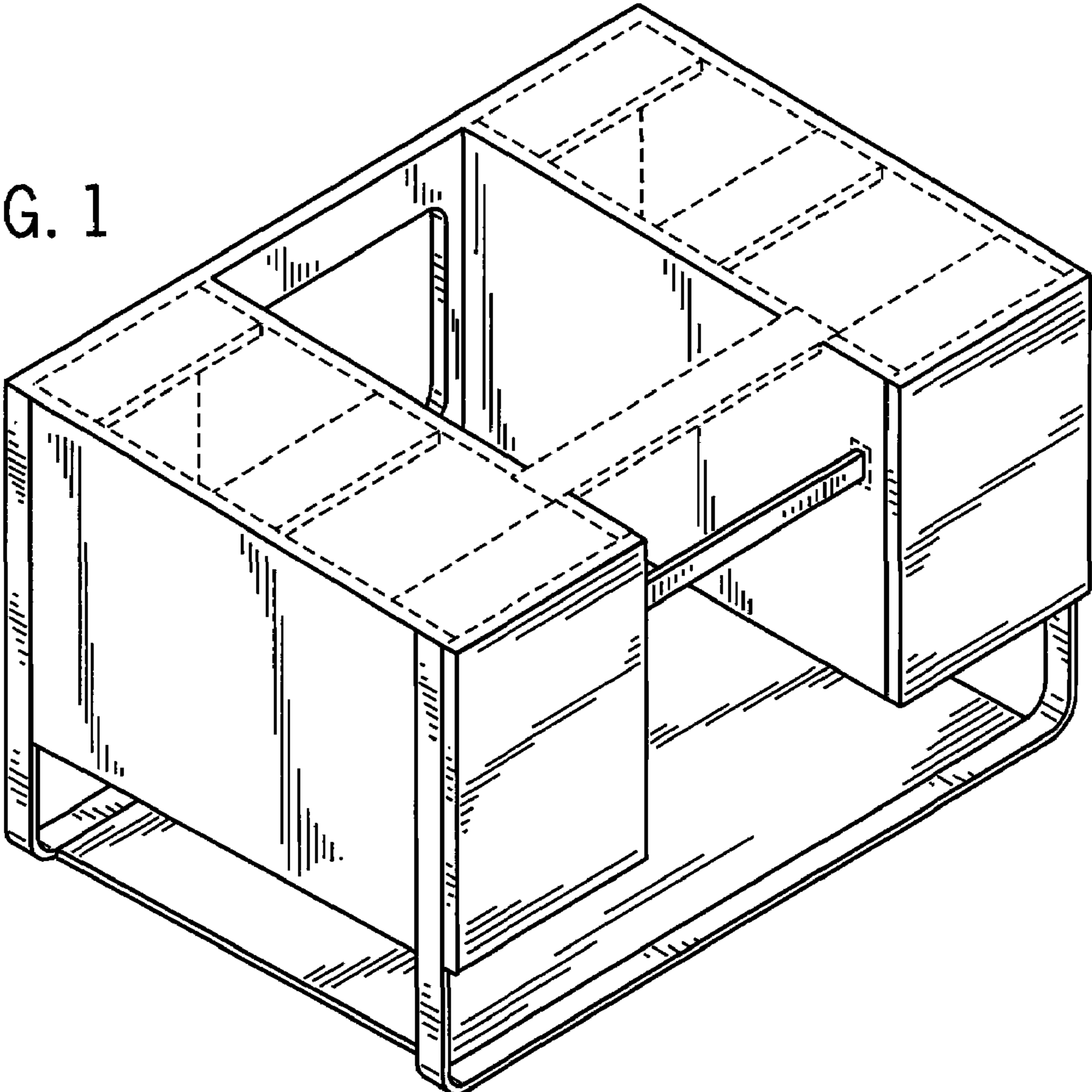


FIG. 2

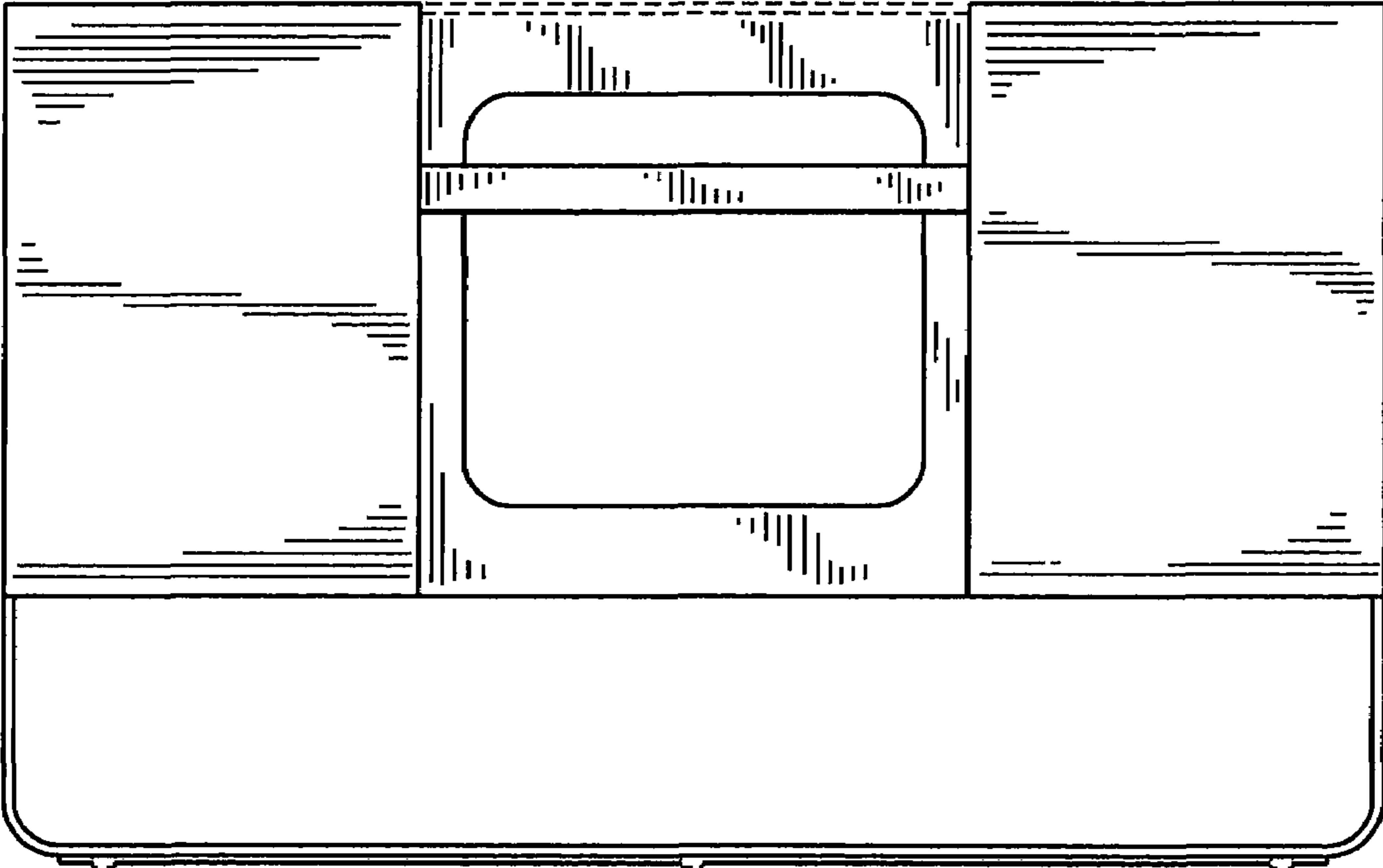


FIG. 3

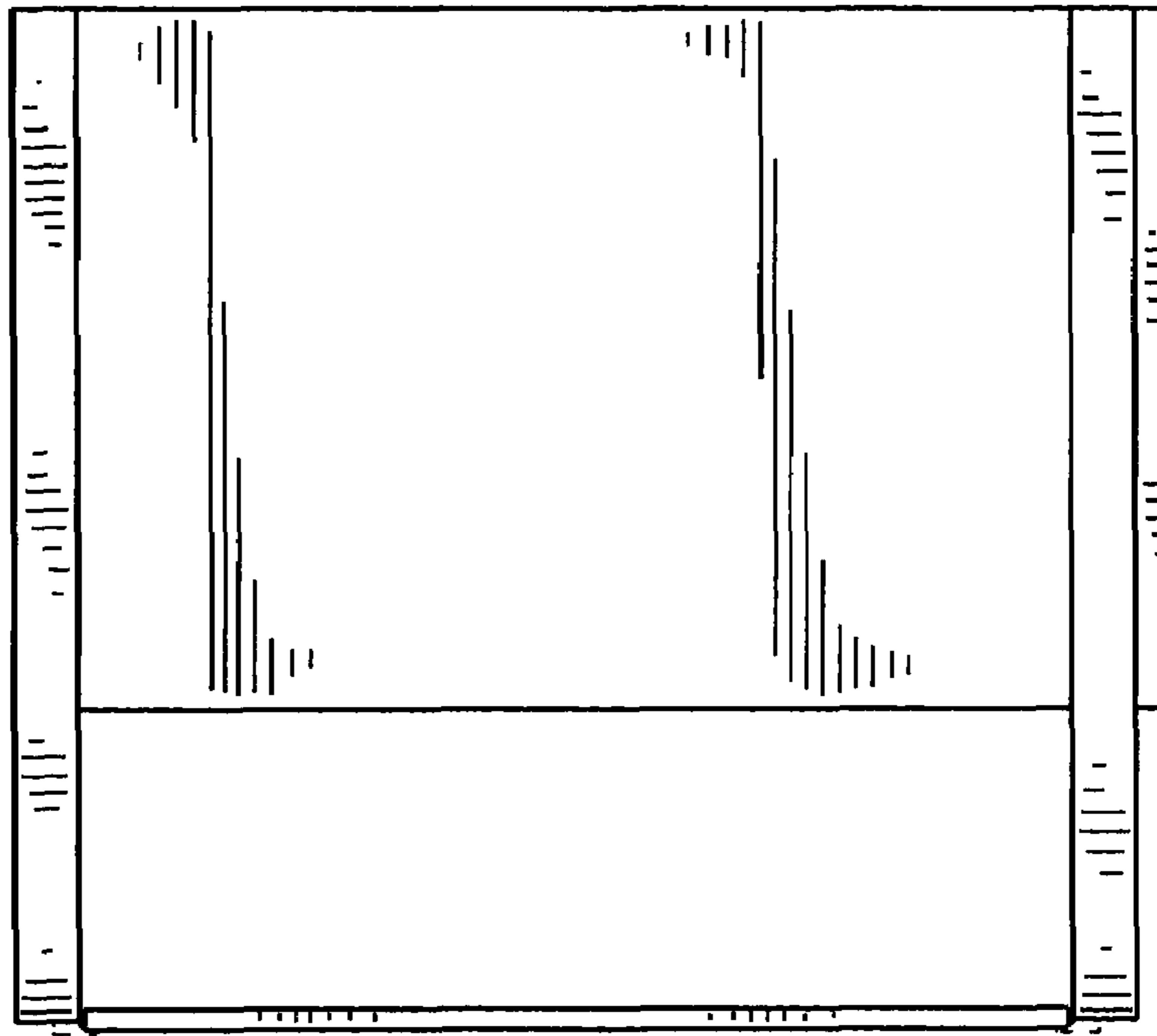
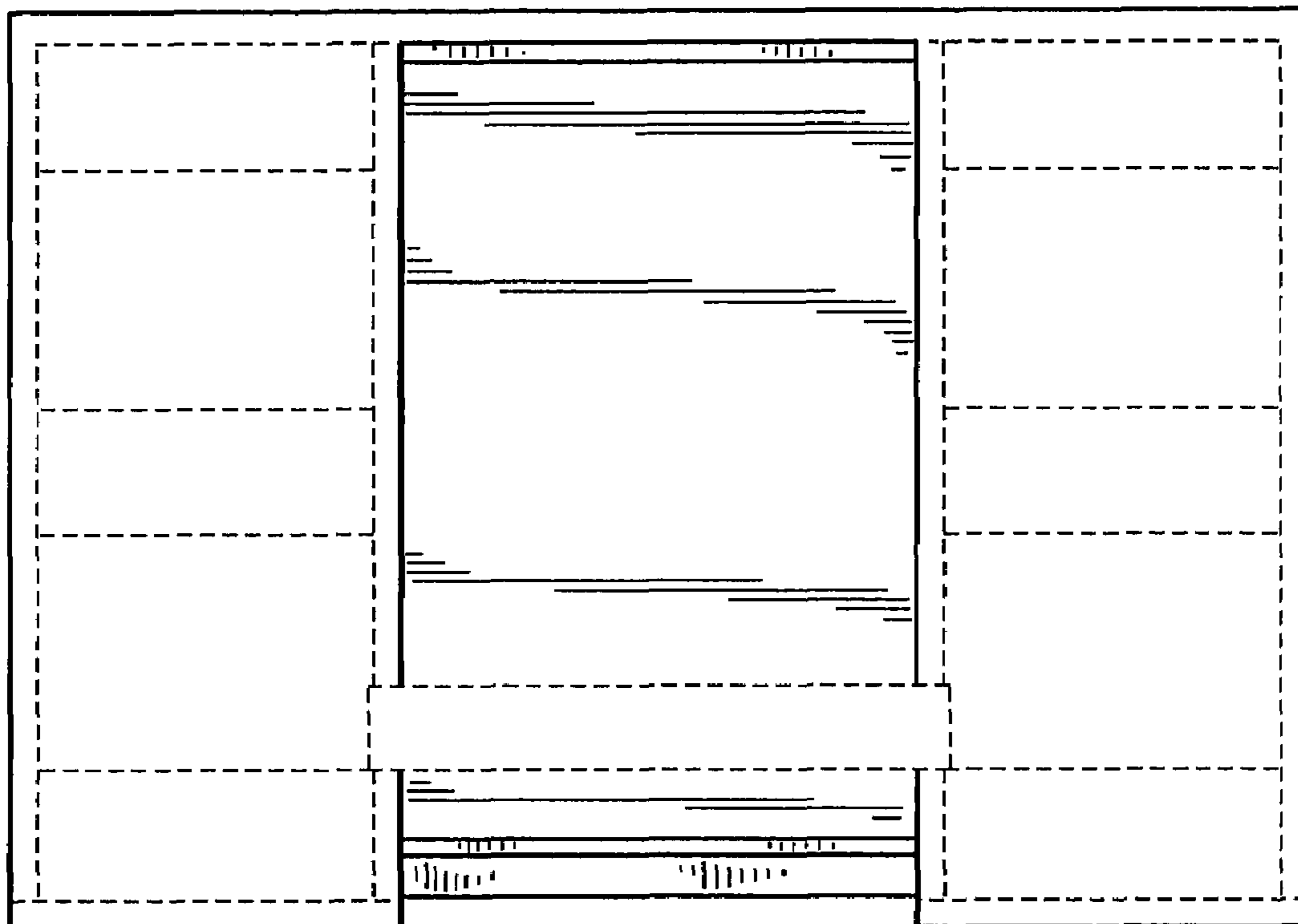


FIG. 4



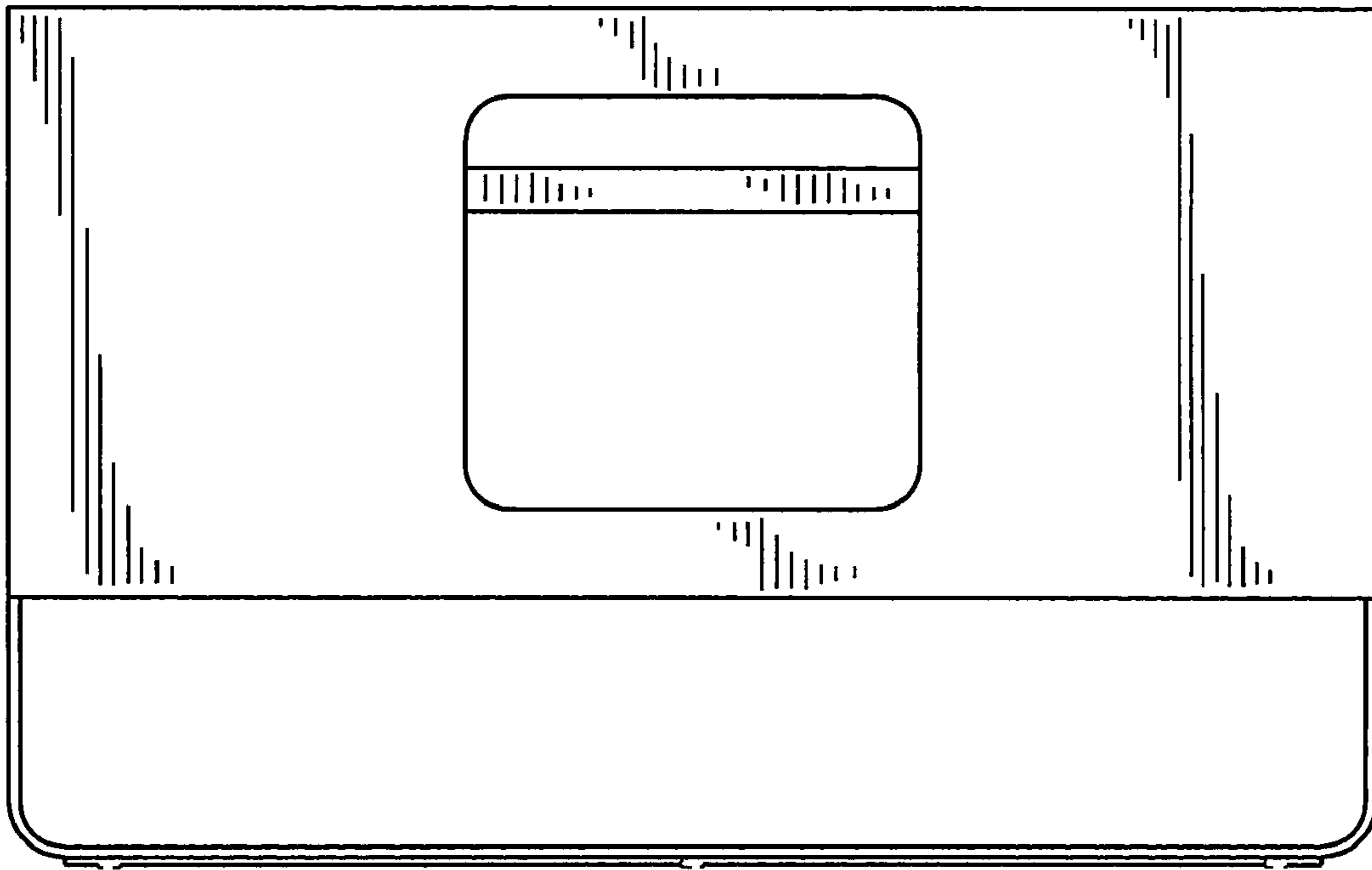


FIG. 5

FIG. 6

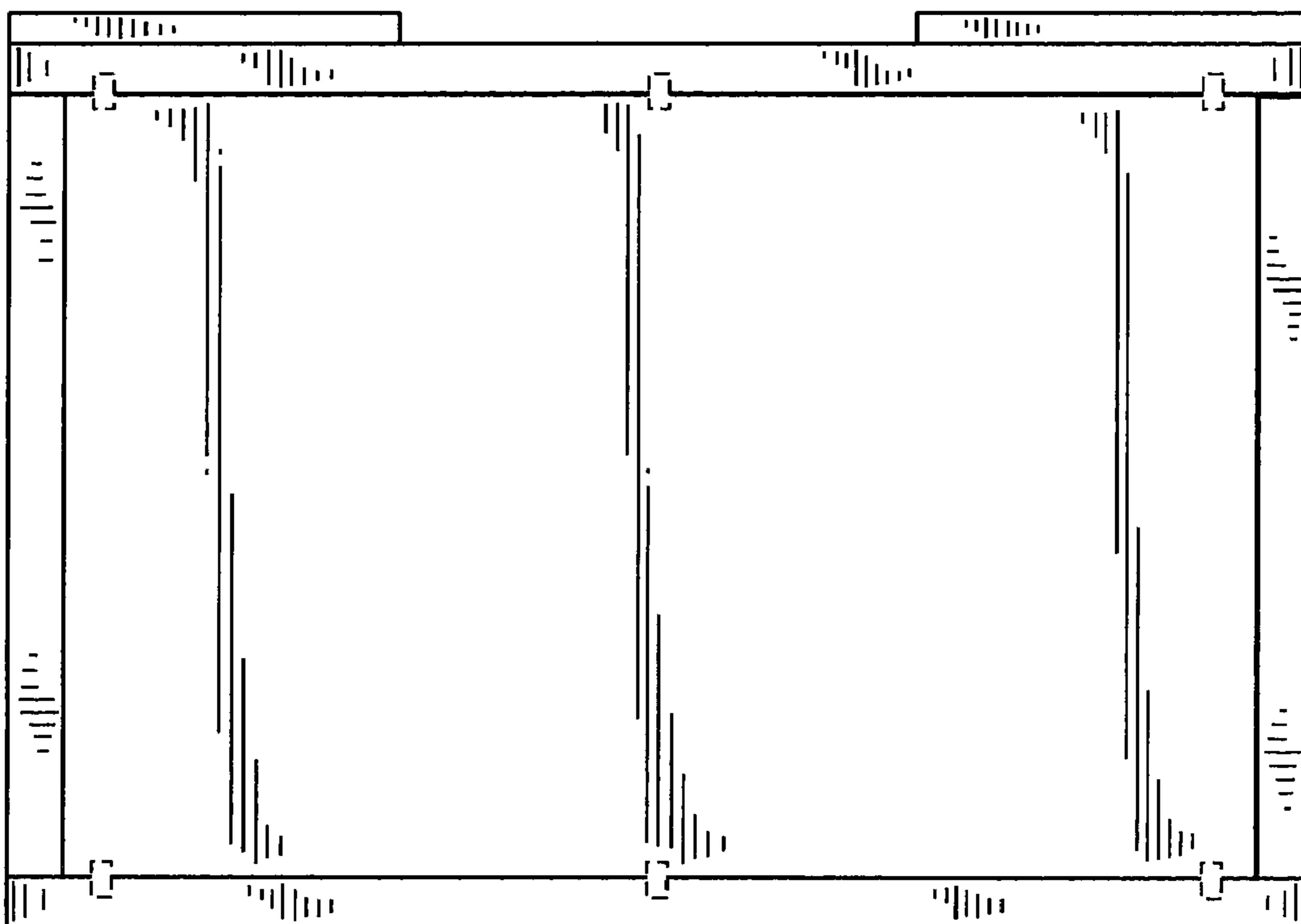


FIG. 7

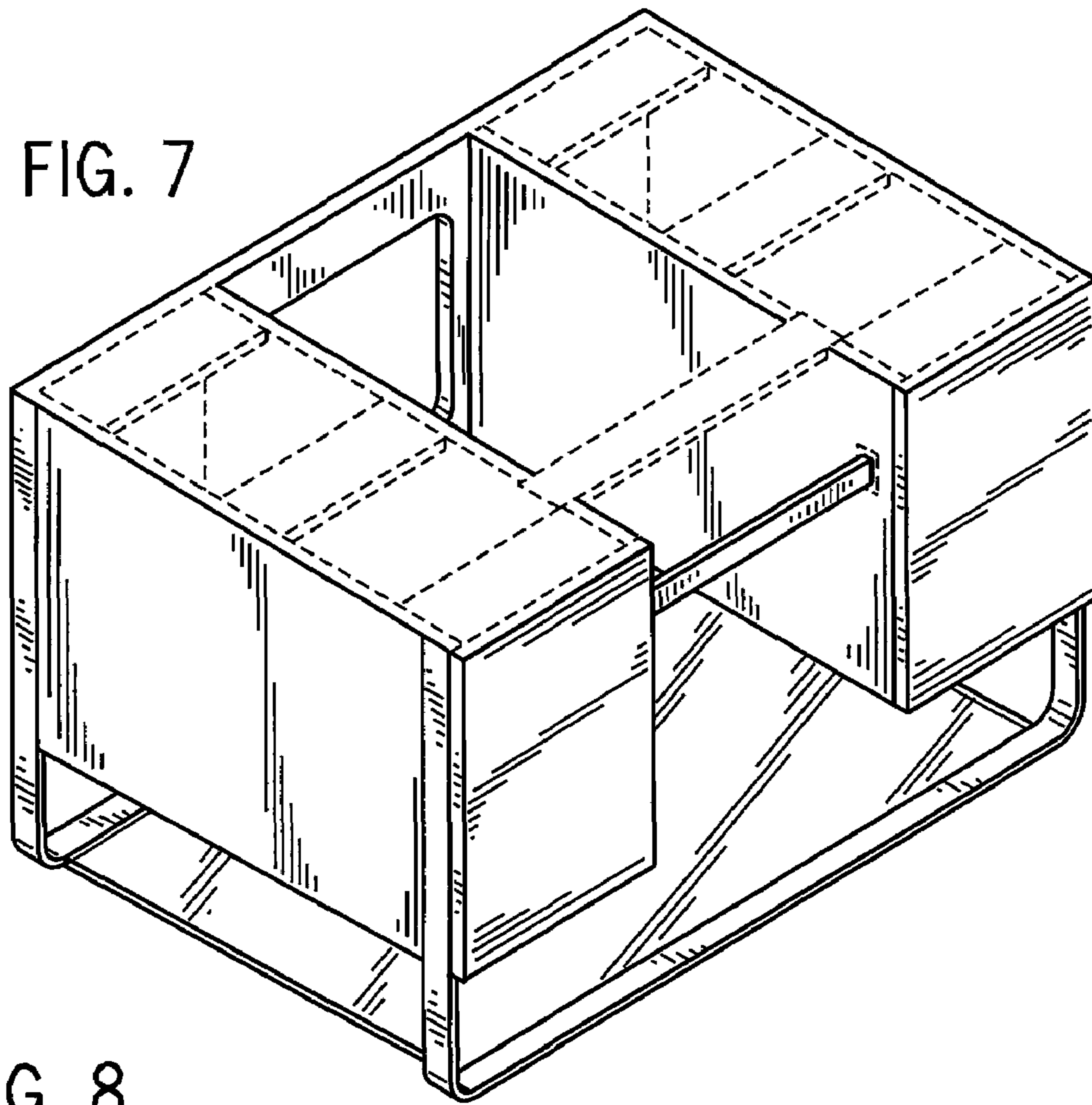


FIG. 8

