

US00D602133S

(12) **United States Design Patent**
Soulier

(10) **Patent No.:** **US D602,133 S**

(45) **Date of Patent:** **** Oct. 13, 2009**

(54) **LAVATORY**

(75) Inventor: **Jean-Hugues Soulier**, Paris (FR)

(73) Assignee: **Kohler France SAS**, Paris (FR)

(**) Term: **14 Years**

(21) Appl. No.: **29/320,611**

(22) Filed: **Jun. 30, 2008**

(30) **Foreign Application Priority Data**

Jan. 4, 2008 (EM) 000853320-0002

(51) **LOC (9) Cl.** **23-01**

(52) **U.S. Cl.** **D23/284**

(58) **Field of Classification Search** D23/270–271,
D23/273–274, 284, 286–287, 292–293.1,
D23/303, 308, 201; 4/619, 631, 637, 661;
D7/300, 304–306

See application file for complete search history.

(56) **References Cited**

U.S. PATENT DOCUMENTS

D185,650 S * 7/1959 Voorhees D23/293.1
D244,291 S * 5/1977 Baker D23/293.1
D547,104 S * 7/2007 Hong D23/293.1

OTHER PUBLICATIONS

Hastings Bath Collection. “Zero Domino 75”. Model No. 7SZE (basin left) or 7DZE (basin right). HomePortfolio.com online catalog. Copyright 1997-2007 HomePortfolio Inc.

Adagio. “Granite Lavatory Sink”. Model No. GB-024. FaucetDirect.com online catalog. Copyright 2000-2007 Improvement Direct, Inc.

Jacob Delafon. “Heist”. Model No. E 1261. Jacob Delafon catalog. Kohler Co. “Ledges undercounter lavatory”. Model No. K-2838. Kohler Co. online catalog. Copyright 2007 Kohler Co.

* cited by examiner

Primary Examiner—Robert A Delehanty

(74) *Attorney, Agent, or Firm*—Quarles & Brady LLP

(57) **CLAIM**

The ornamental design for a lavatory, as shown and described.

DESCRIPTION

In a preferred embodiment, the nature of this product is a lavatory for washing various items and human body parts.

FIG. 1 is a top, right, front perspective view of a lavatory embodying my new design;

FIG. 2 is a top plan view thereof;

FIG. 3 is a front elevational view thereof;

FIG. 4 is a right side elevational view thereof, the left side elevational view thereof being a mirror image of the right side shown;

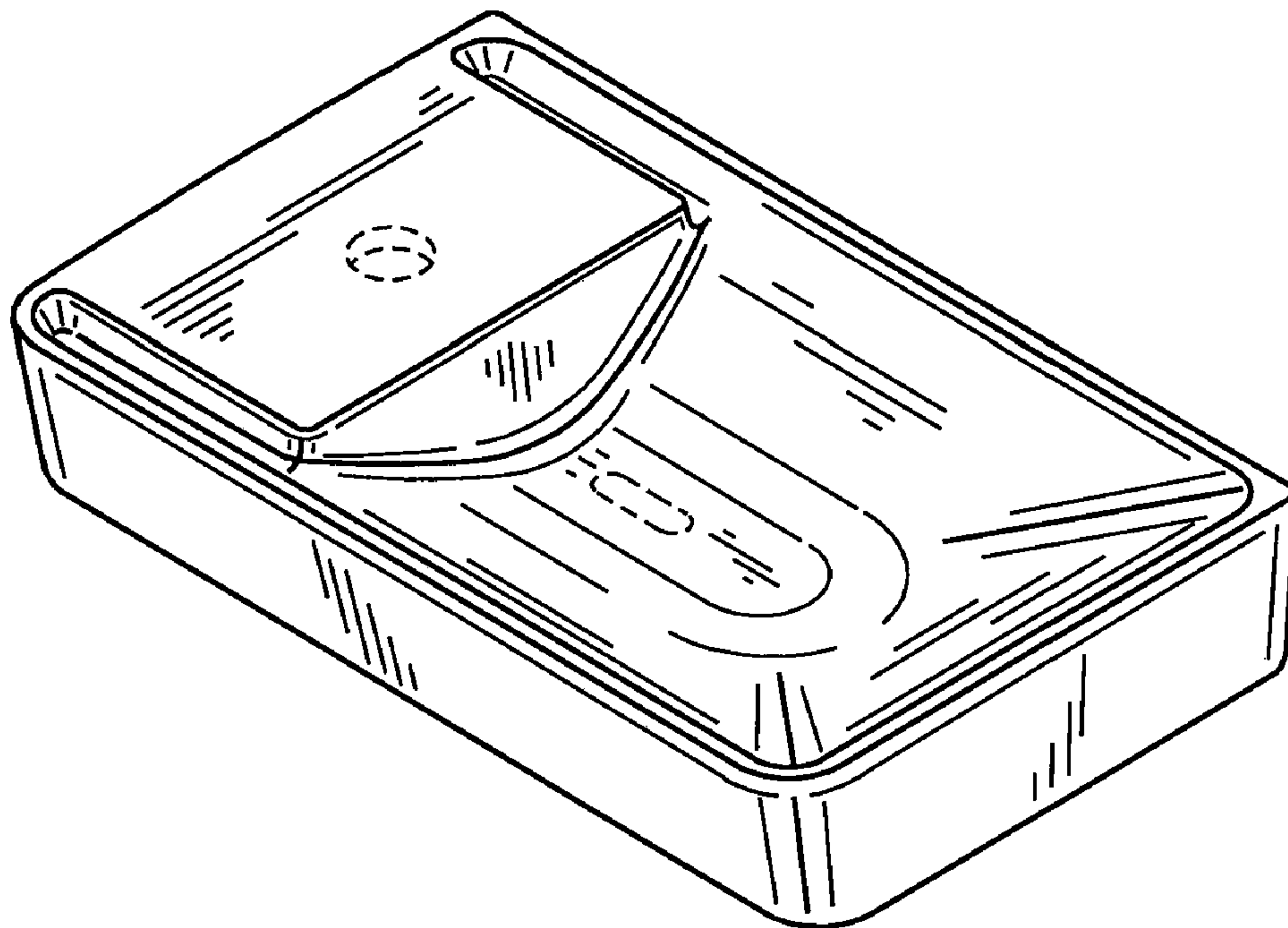
FIG. 5 is a bottom plan view thereof;

FIG. 6 is a rear elevational view thereof; and,

FIG. 7 is a top, left, front perspective view of a lavatory according to another embodiment of my new design, the views thereof being mirror images of the respective views of FIGS. 2–6.

The broken line representations in the figures are for the purpose of illustration only, and form no part of the claimed design.

1 Claim, 4 Drawing Sheets



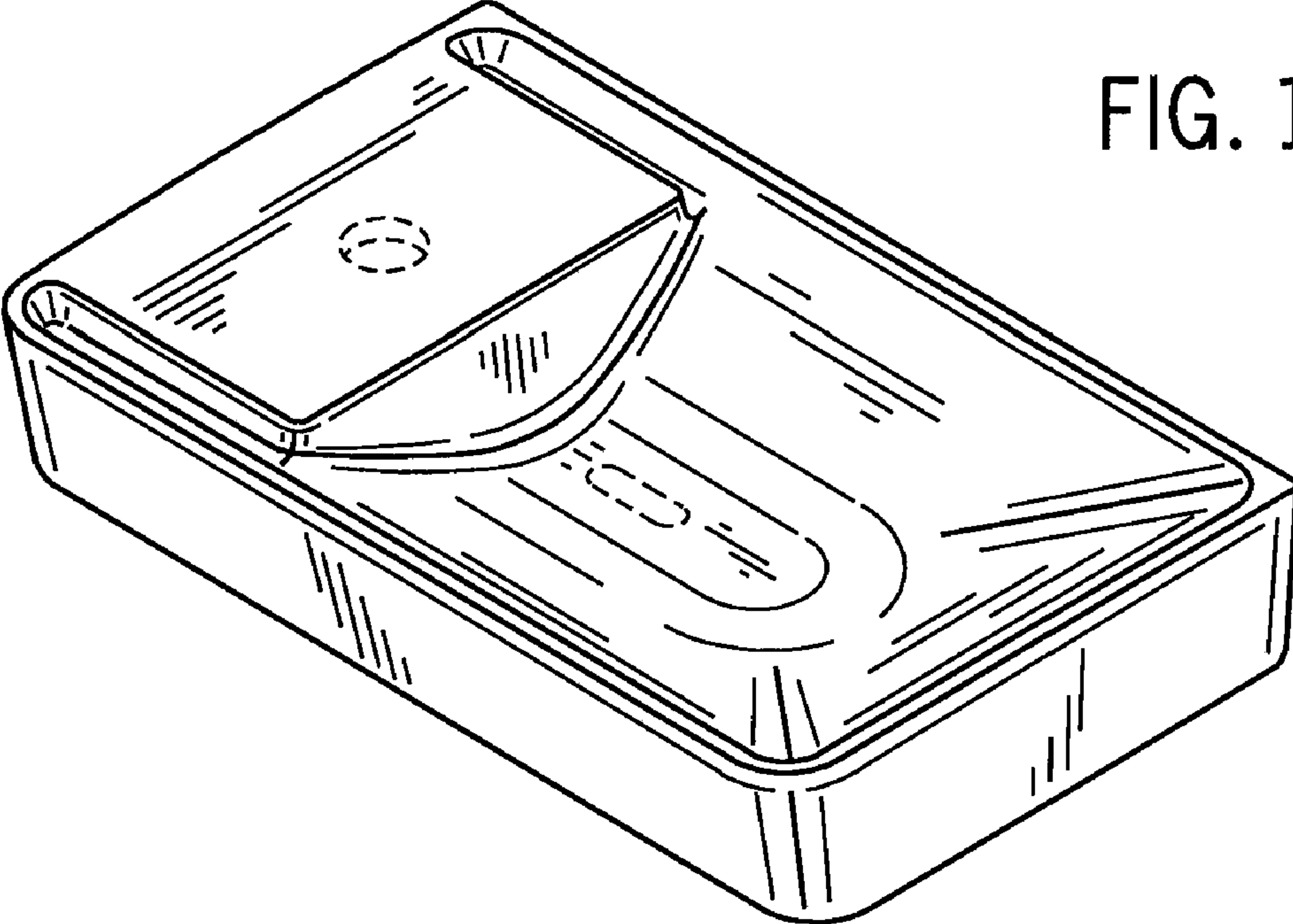


FIG. 1

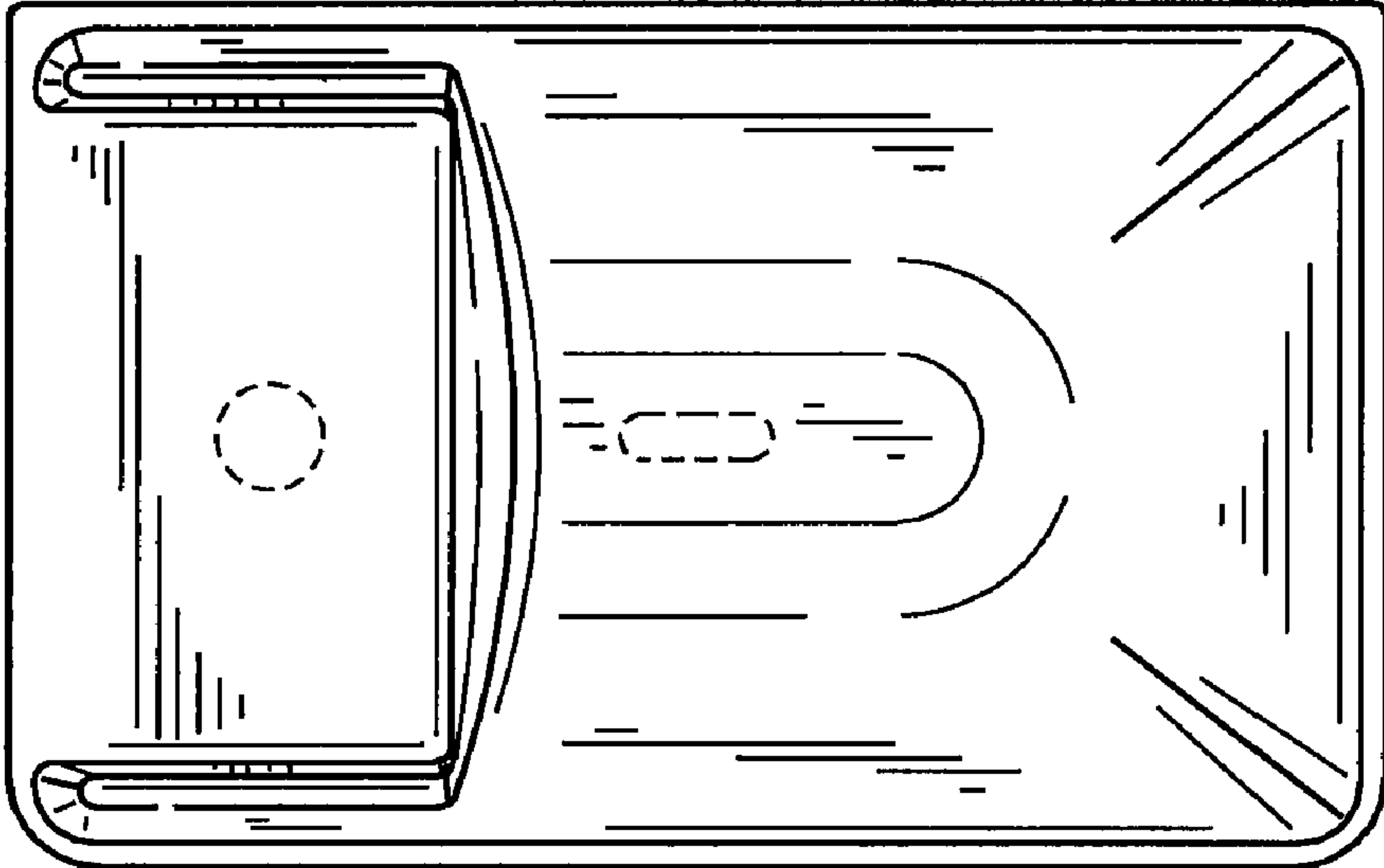


FIG. 2

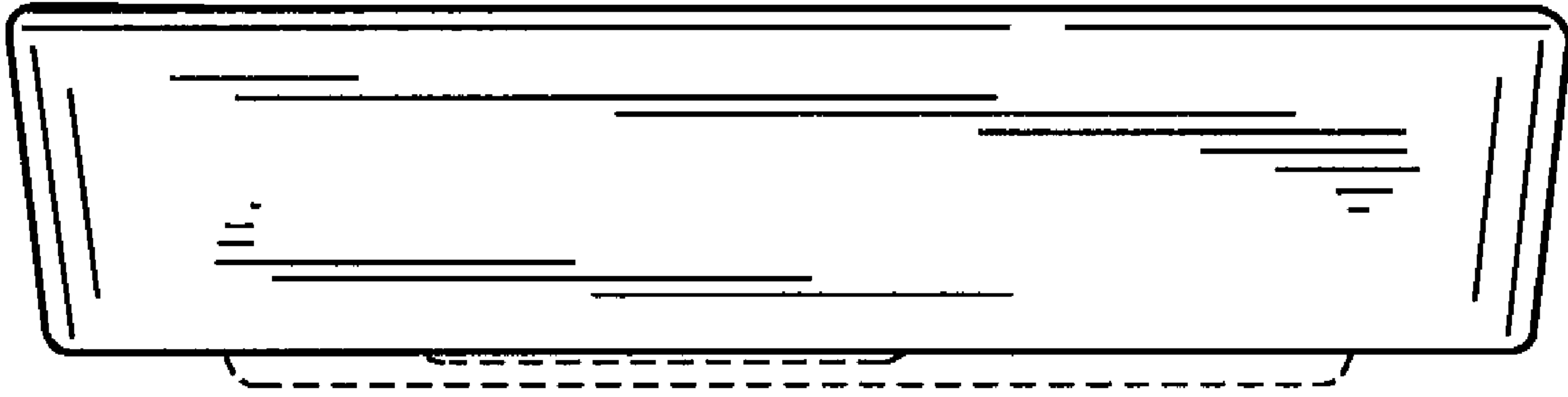


FIG. 3

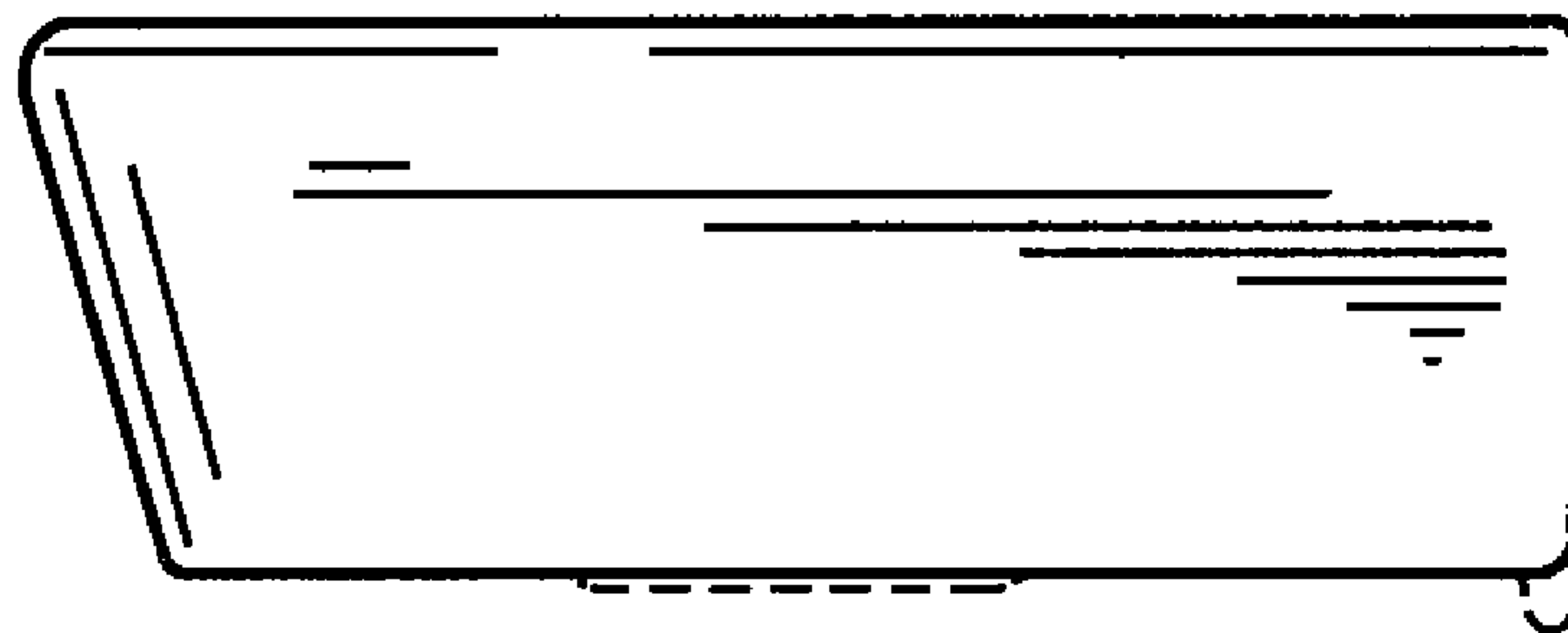


FIG. 4

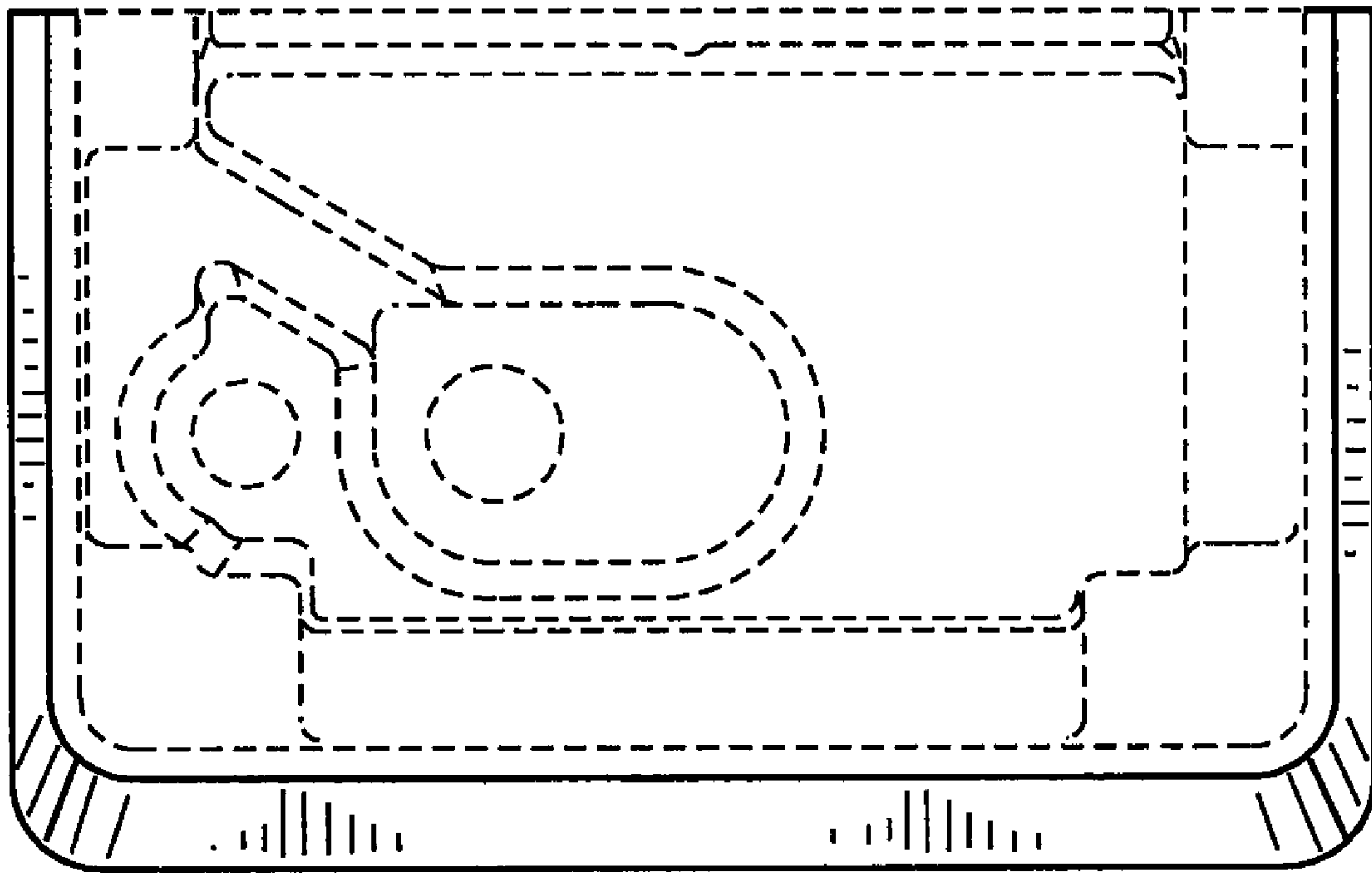


FIG. 5

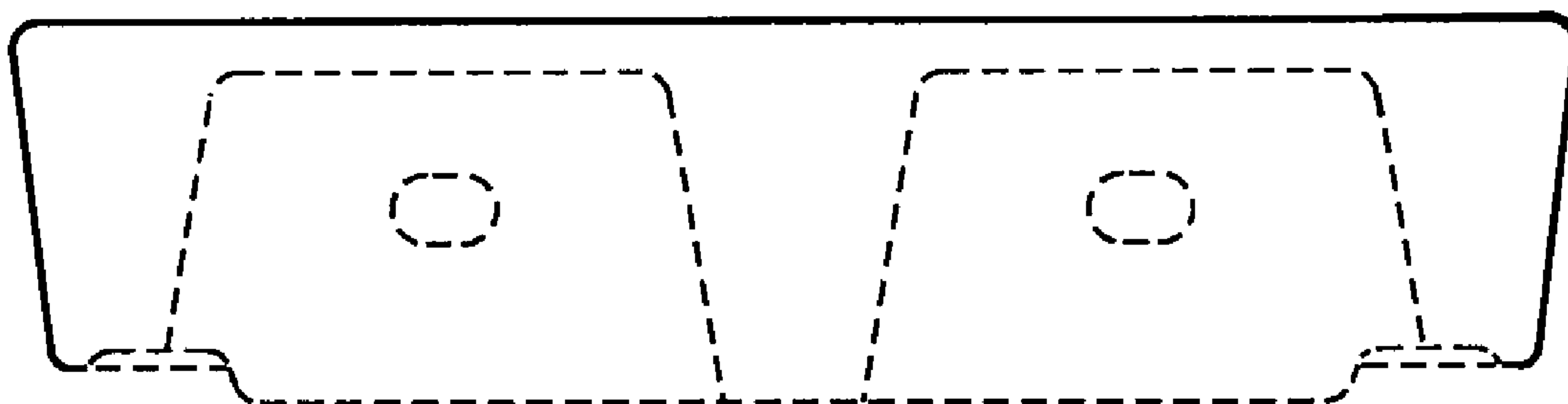


FIG. 6

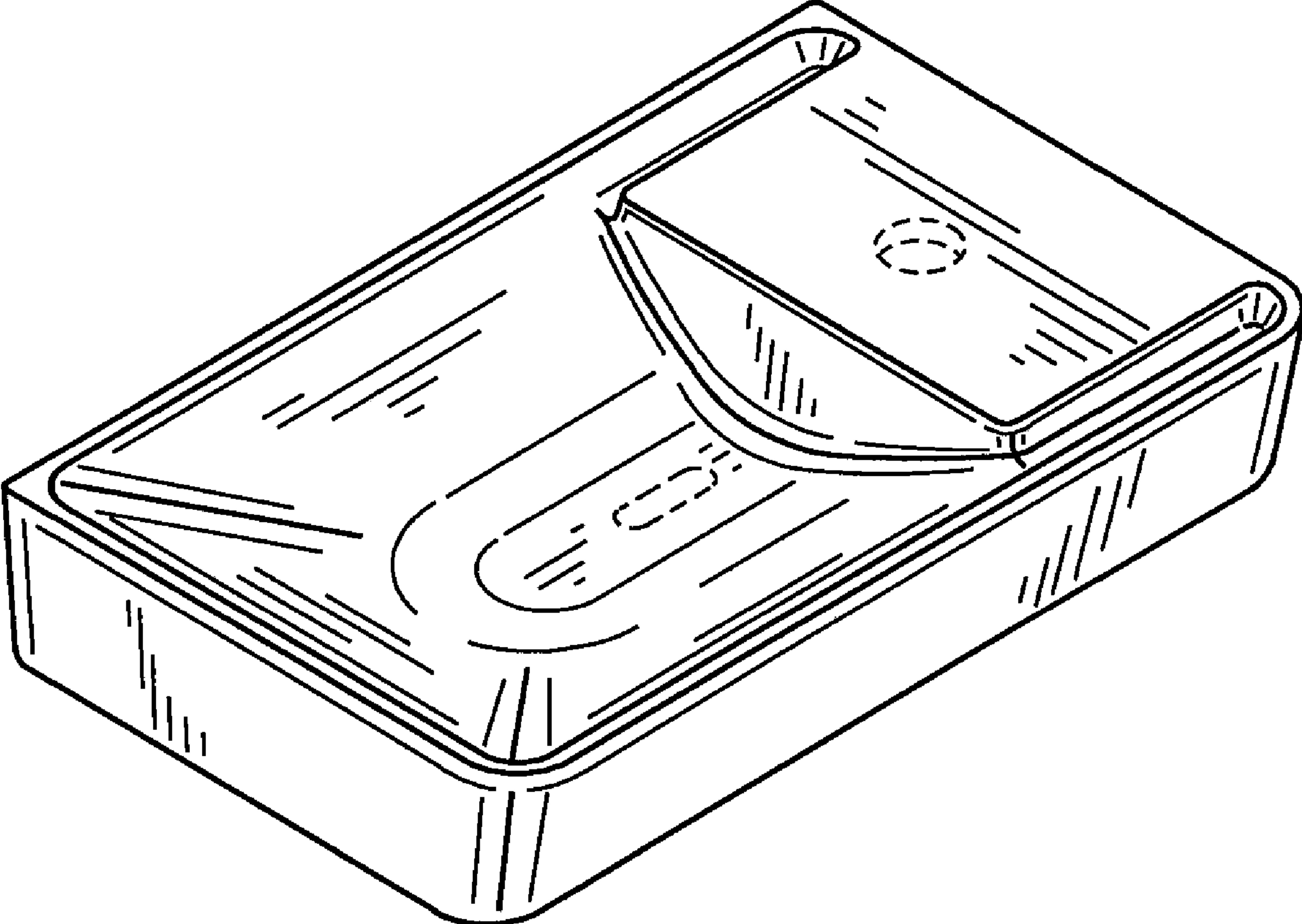


FIG. 7