



US00D602131S

(12) **United States Design Patent**
Morita

(10) **Patent No.:** **US D602,131 S**
(45) **Date of Patent:** **** Oct. 13, 2009**

(54) **HOSE CLAMP**

(75) Inventor: **Naoki Morita**, Yokohama (JP)

(73) Assignee: **Piolax Inc.**, Yokohama-Shi (JP)

(**) Term: **14 Years**

(21) Appl. No.: **29/308,411**

(22) Filed: **Jun. 16, 2008**

(51) **LOC (9) Cl.** **23-01**

(52) **U.S. Cl.** **D23/265**

(58) **Field of Classification Search** D23/213,
D23/249, 257, 259, 260, 261, 262, 263, 264,
D23/265, 266, 267, 268; D8/354-356, 371,
D8/394-396, 382; 24/16 R, 270, 271, 279;
248/49, 62, 74.1-74.4, 73

See application file for complete search history.

(56) **References Cited**

U.S. PATENT DOCUMENTS

4,305,179	A *	12/1981	Sakurada	24/20 R
4,315,348	A *	2/1982	Oetiker	24/20 CW
4,380,096	A *	4/1983	Nishida et al.	24/20 R
D317,351	S *	6/1991	Takeuchi	D23/265
D317,352	S *	6/1991	Takeuchi	D23/265
D335,079	S *	4/1993	Sachs	D8/396
RE35,253	E *	5/1996	Worley et al.	285/243
5,616,205	A *	4/1997	Cogdill et al.	156/229
6,098,251	A *	8/2000	Zielinski	24/20 R
7,225,706	B2 *	6/2007	Kassabian	81/9.3
D583,027	S *	12/2008	Morita	D23/265
2003/0159255	A1 *	8/2003	Senovich et al.	24/20 R
2004/0025304	A1 *	2/2004	Senovich et al.	24/20 R
2006/0278044	A1 *	12/2006	Kassabian	81/9.3

FOREIGN PATENT DOCUMENTS

JP 1299343 S 3/2007

OTHER PUBLICATIONS

Related U.S. Appl. No. 29/308,407, filed Jun. 16, 2008; Inventor:
Naoki Morita; Title: Hose Clamp.

Related U.S. Appl. No. 29/308,408, filed Jun. 16, 2008; Inventor:
Naoki Morita; Title: Hose Clamp.

Related U.S. Appl. No. 29/308,409, filed Jun. 16, 2008; Inventor:
Naoki Morita; Title: Hose Clamp.

Related U.S. Appl. No. 29/308,410, filed Jun. 16, 2008; Inventor:
Naoki Morita; Title: Hose Clamp.

Japanese Office Action dated Sep. 24, 2008 and English Abstract
thereof issued in counterpart Japanese Application No. 2007-034908.

* cited by examiner

Primary Examiner—T. Chase Nelson

Assistant Examiner—Michael A Pratt

(74) *Attorney, Agent, or Firm*—Frishauf, Holtz, Goodman &
Chick, P.C.

(57) **CLAIM**

The ornamental design for the hose clamp, as shown and
described.

DESCRIPTION

FIG. 1 is a perspective view of the hose clamp showing my
new design;

FIG. 2 is a rear view thereof;

FIG. 3 is a front view thereof;

FIG. 4 is a top plan view thereof;

FIG. 5 is a bottom plan view thereof;

FIG. 6 is a left side view thereof;

FIG. 7 is a right side view thereof;

FIG. 8 is a perspective view thereof in a state of use;

FIG. 9 is a fragmentary enlarged view of the clasp structure of
the hose clamp seen at the tops of FIGS. 1 and 2; and,

FIG. 10 is a perspective view of the opposite side of FIG. 9.

The broken lines shown in FIG. 8 are included for the purpose
of illustrating environment and form no part of the claimed
design.

1 Claim, 5 Drawing Sheets

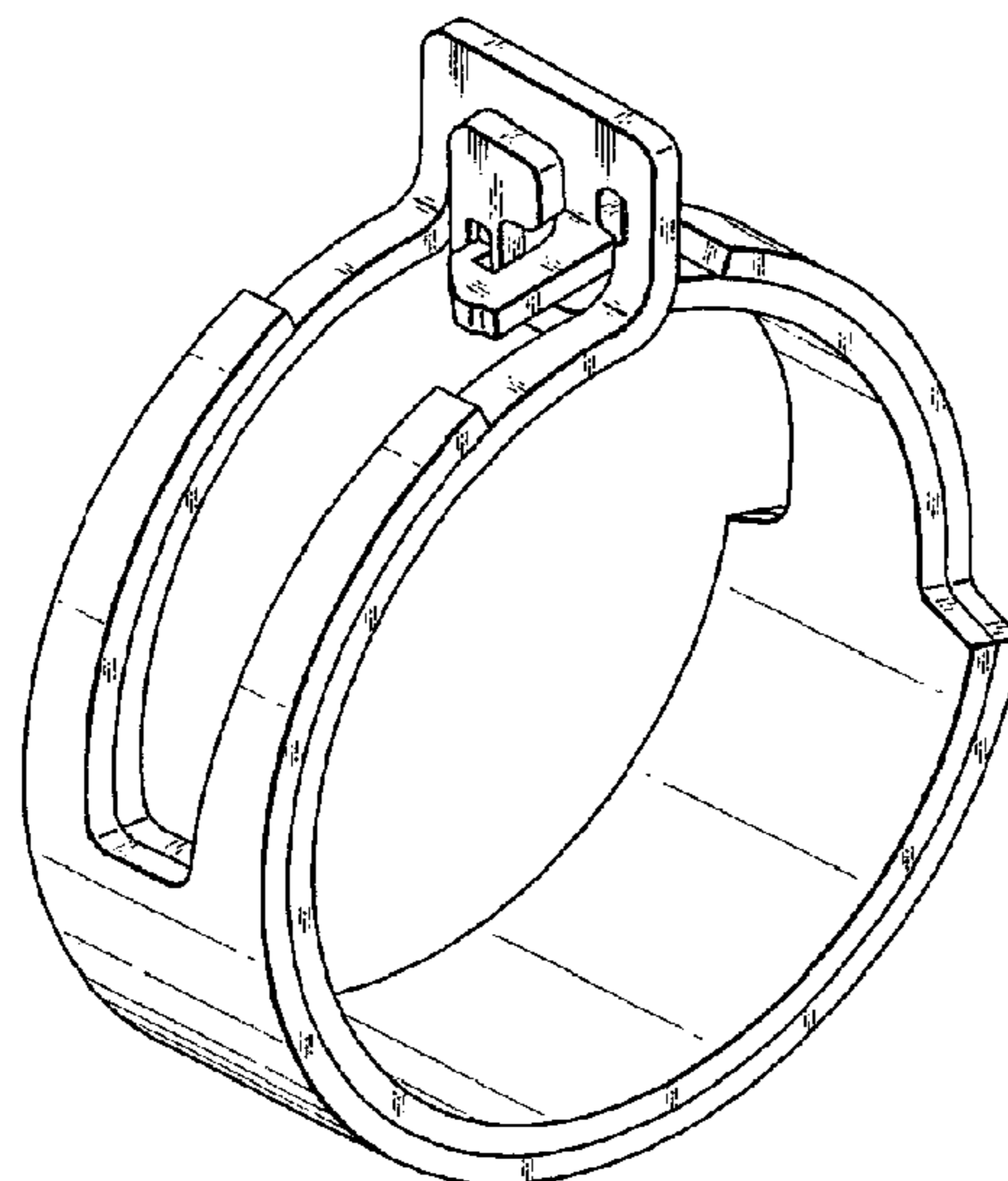


FIG.1

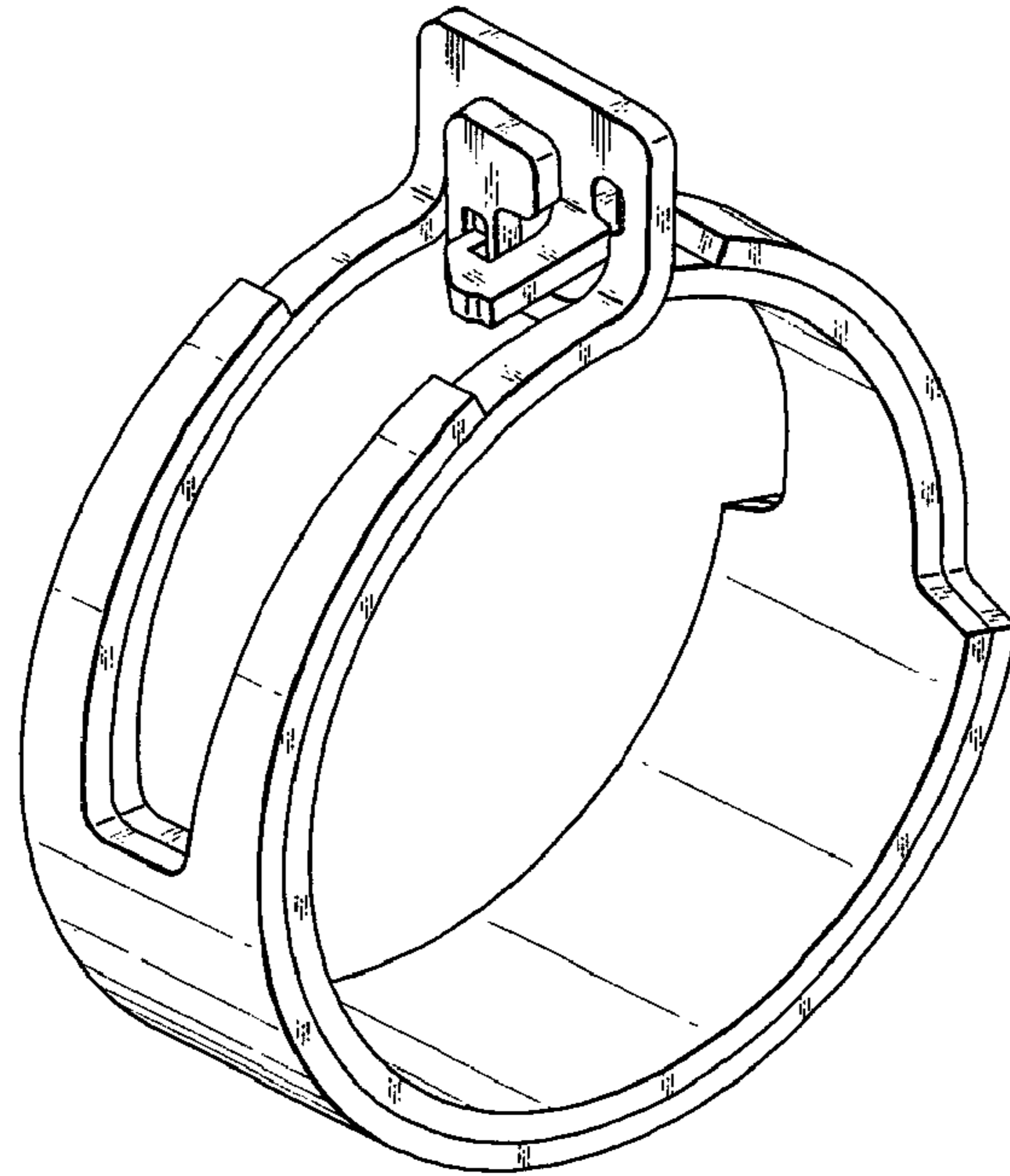


FIG.2

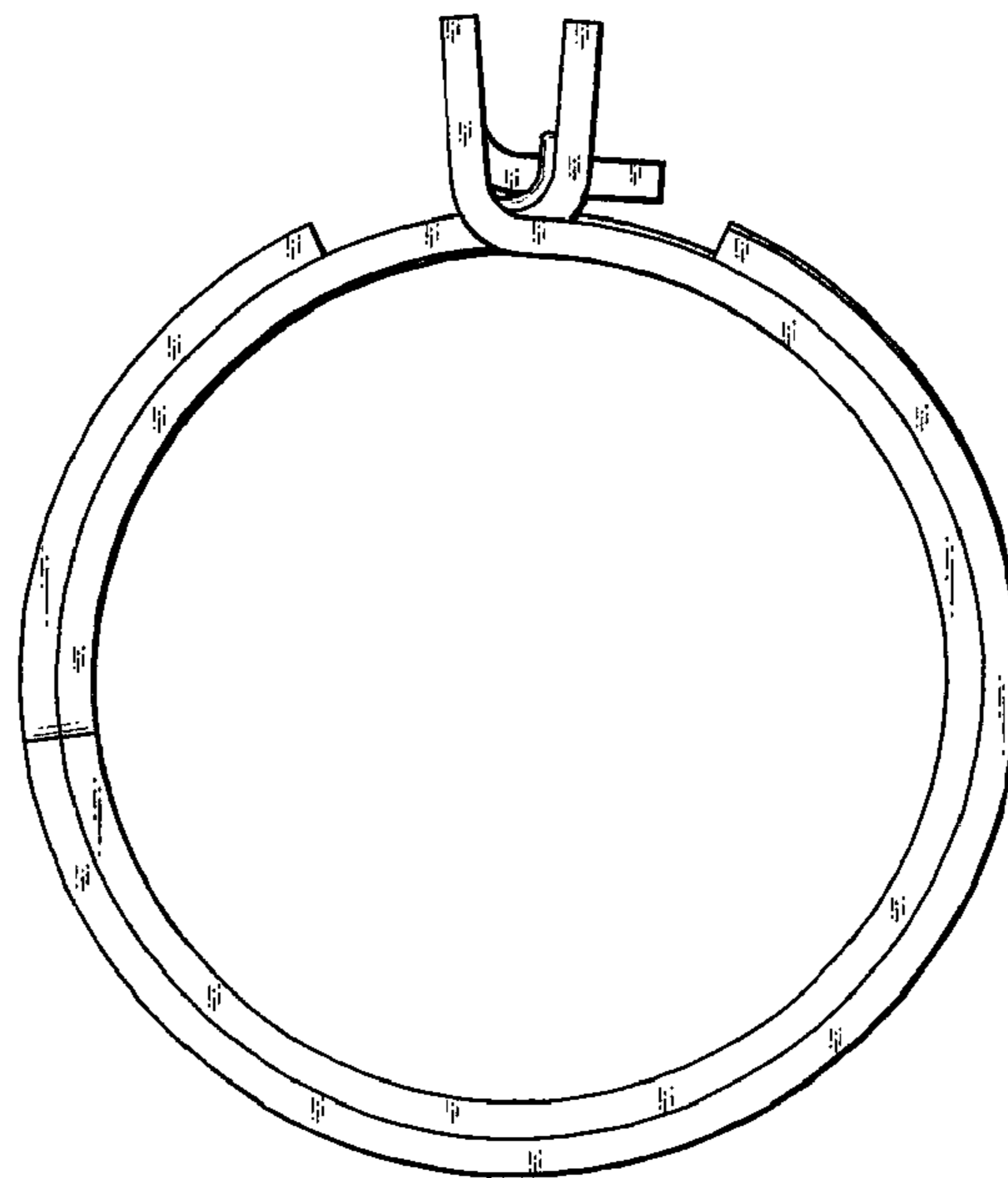


FIG.3

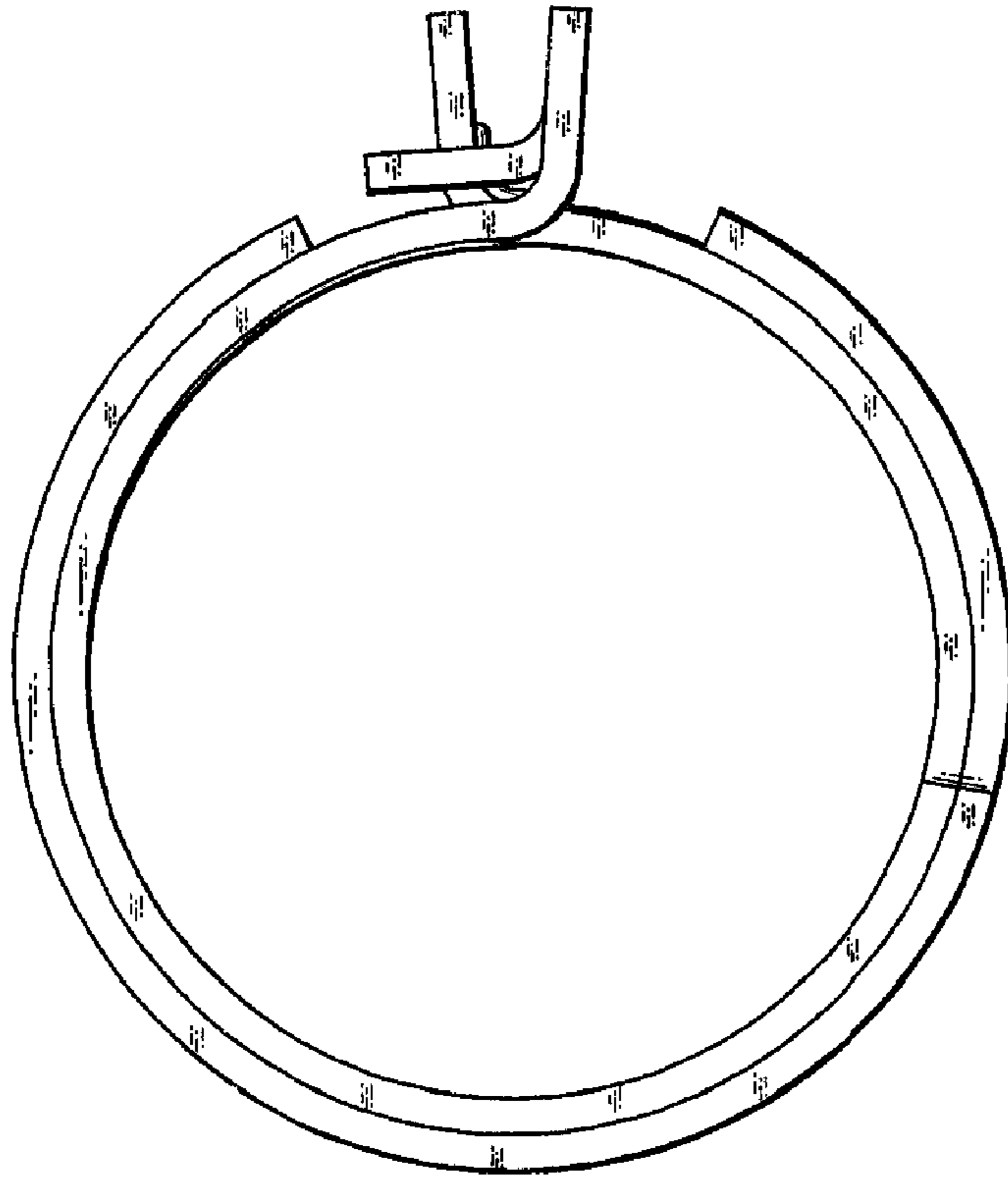


FIG.4

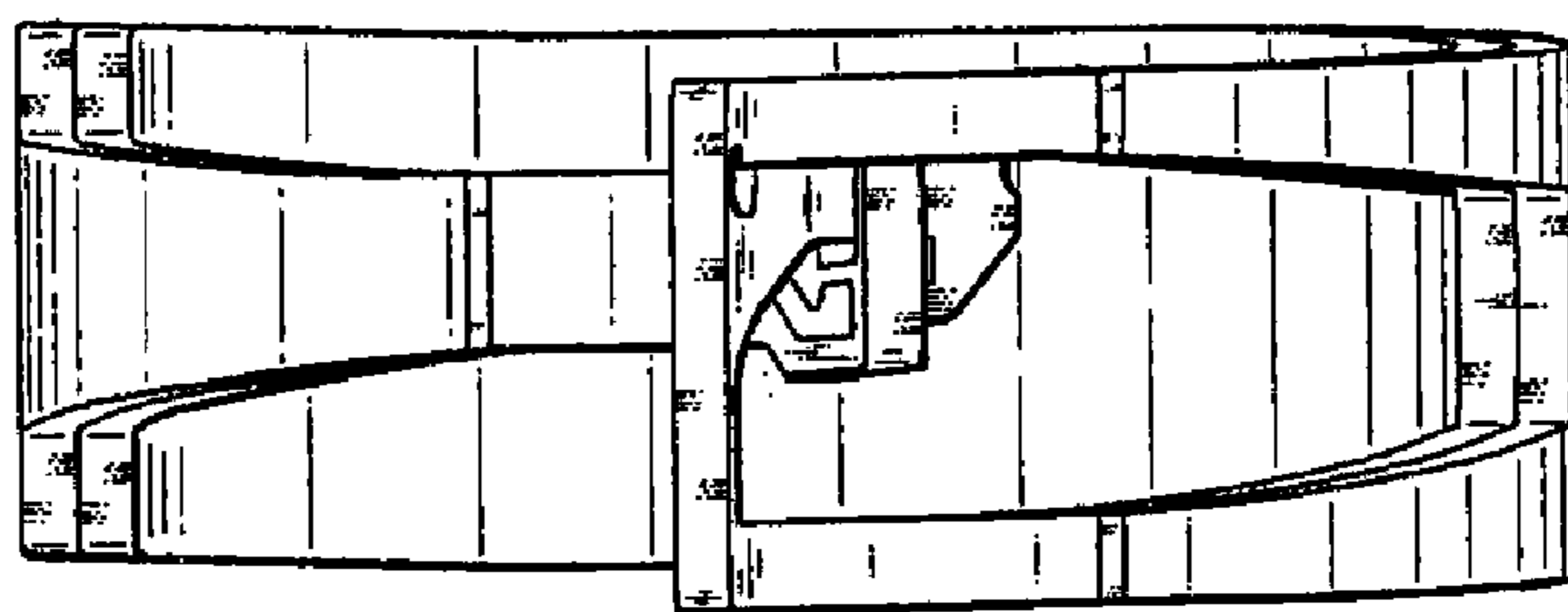


FIG.5

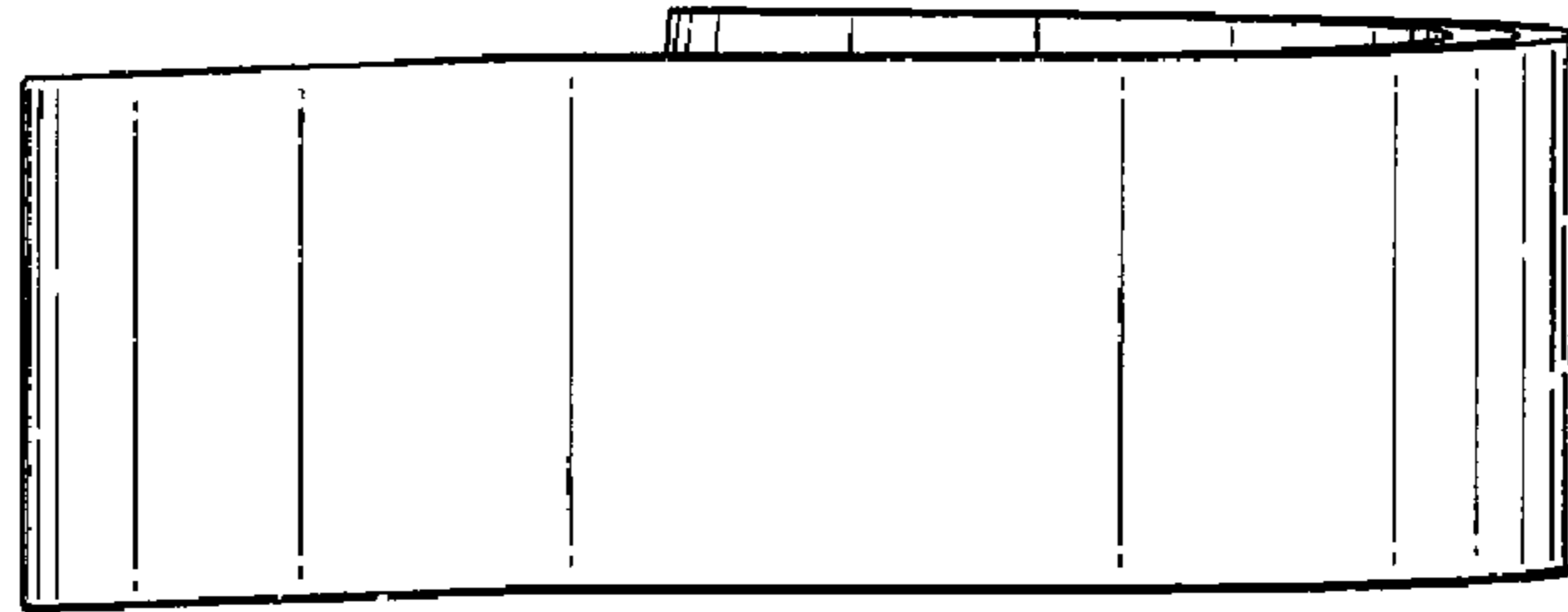


FIG.6

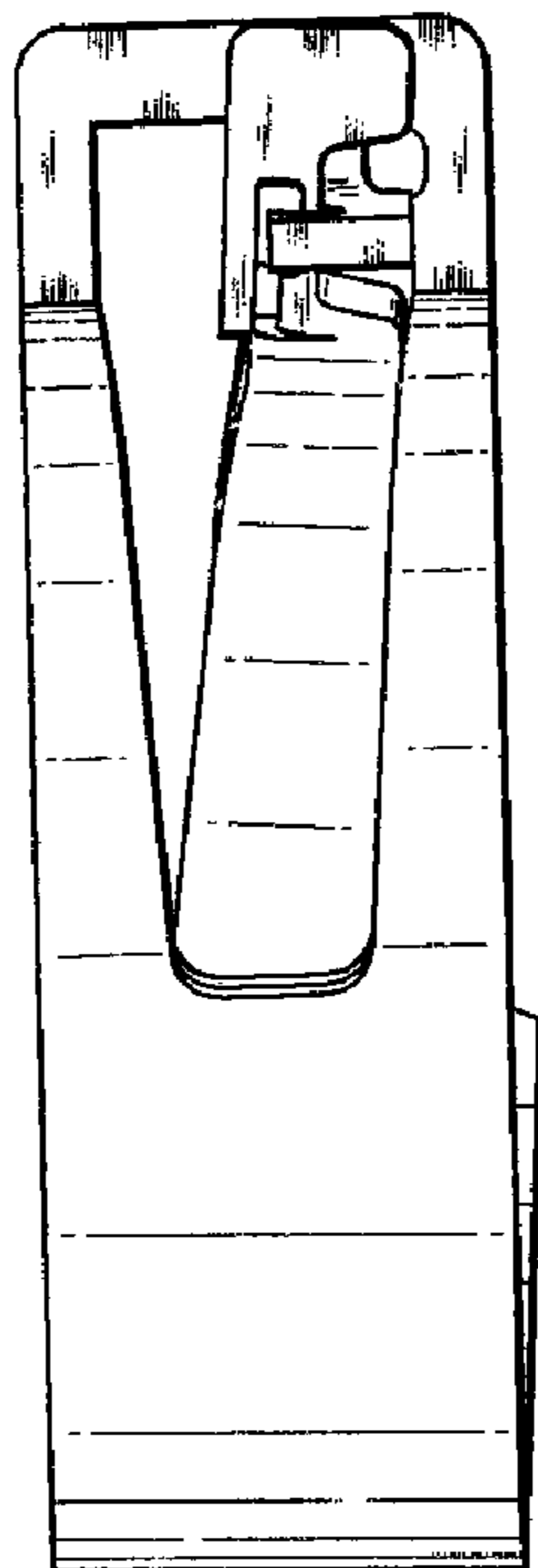


FIG.7

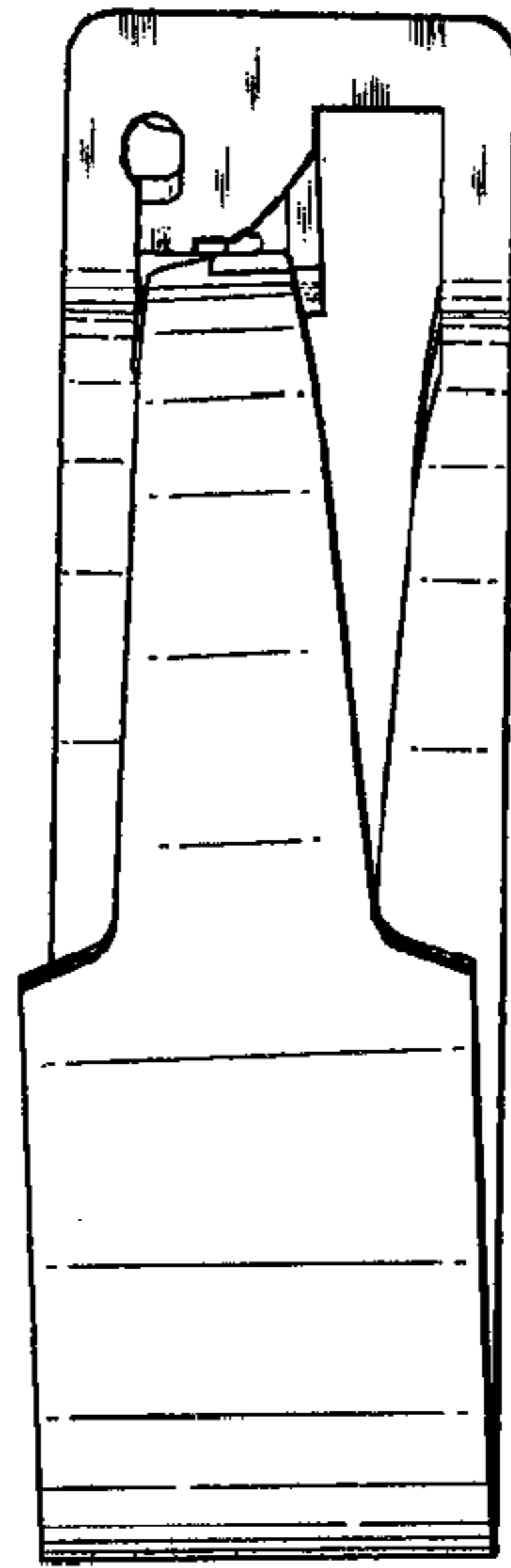


FIG.8

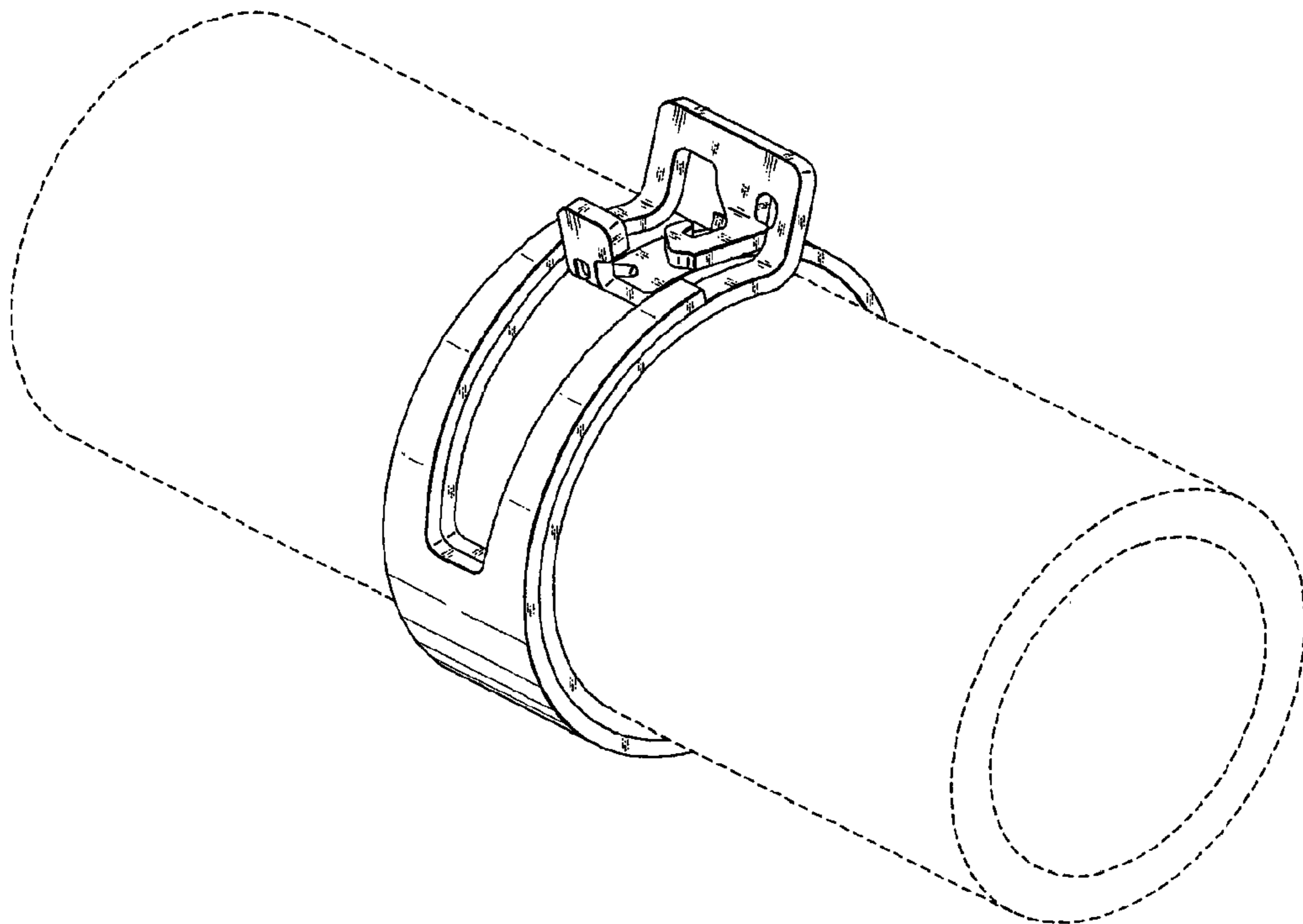


FIG.9

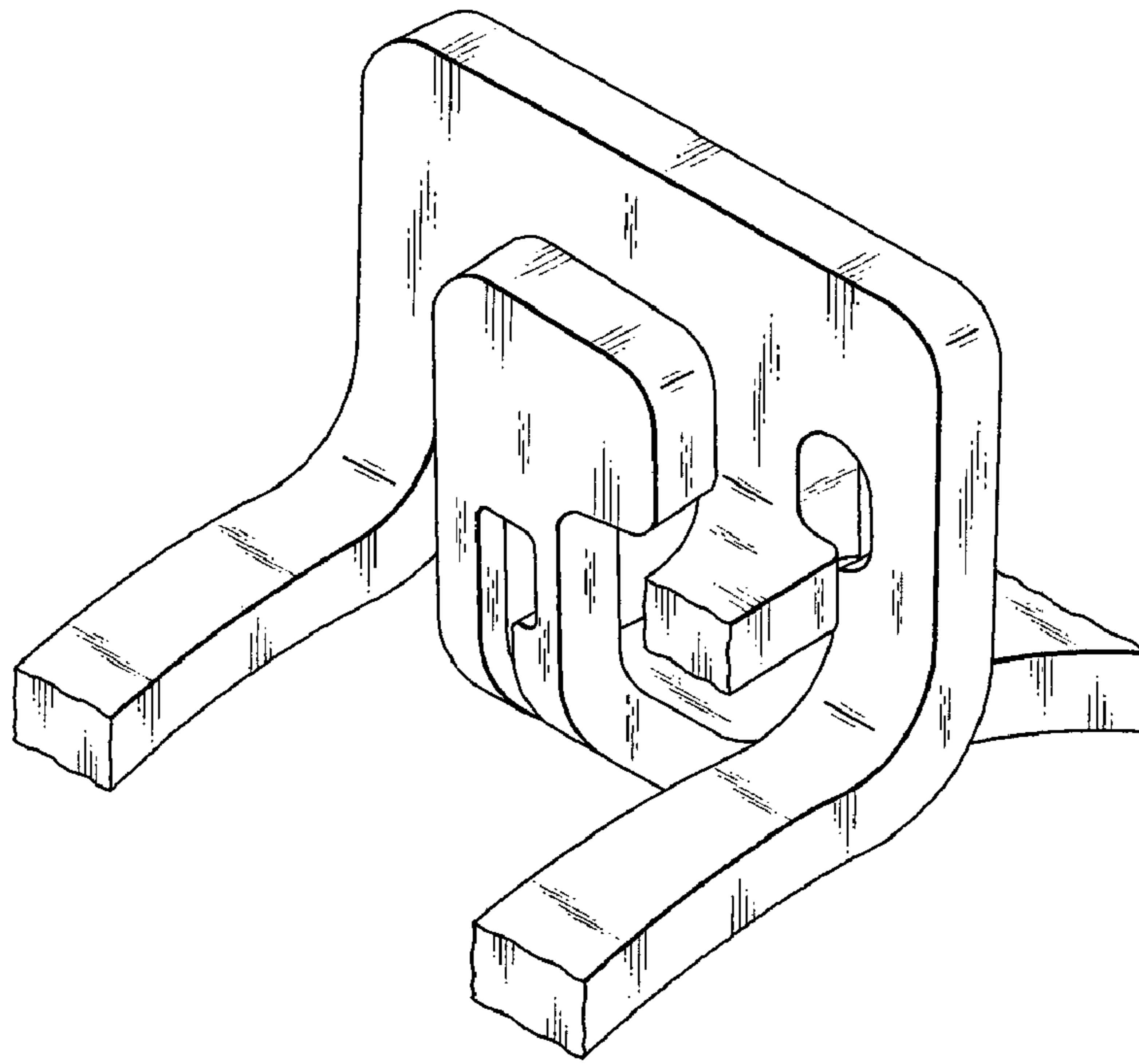


FIG.10

