



US00D602129S

(12) **United States Design Patent**
Morita

(10) **Patent No.:** **US D602,129 S**

(45) **Date of Patent:** **** Oct. 13, 2009**

(54) **HOSE CLAMP**

(75) Inventor: **Naoki Morita**, Yokohama (JP)

(73) Assignee: **Piolax Inc.**, Yokohama-Shi (JP)

(**) Term: **14 Years**

(21) Appl. No.: **29/308,407**

(22) Filed: **Jun. 16, 2008**

(30) **Foreign Application Priority Data**

Dec. 19, 2007 (JP) 2007-034907

(51) **LOC (9) Cl.** **23-01**

(52) **U.S. Cl.** **D23/265**

(58) **Field of Classification Search** D23/213,
D23/249, 257, 259, 260, 261, 262, 263, 264,
D23/265, 266, 267, 268; D8/354–356, 371,
D8/394–396, 382; 24/16 R, 270, 271, 279;
248/49, 62, 74.1–74.4, 73

See application file for complete search history.

(56) **References Cited**

U.S. PATENT DOCUMENTS

4,305,179 A * 12/1981 Sakurada 24/20 R
4,315,348 A * 2/1982 Oetiker 24/20 CW
4,380,096 A * 4/1983 Nishida et al. 24/20 R
D317,351 S * 6/1991 Takeuchi D23/265
D317,352 S * 6/1991 Takeuchi D23/265
D335,079 S * 4/1993 Sachs D8/396
RE35,253 E * 5/1996 Worley et al. 285/243
5,616,205 A * 4/1997 Cogdill et al. 156/229
6,098,251 A * 8/2000 Zielinski 24/20 R
7,225,706 B2 * 6/2007 Kassabian 81/9.3
D583,027 S * 12/2008 Morita D23/265
2003/0159255 A1 * 8/2003 Senovich et al. 24/20 R
2004/0025304 A1 * 2/2004 Senovich et al. 24/20 R
2006/0278044 A1 * 12/2006 Kassabian 81/9.3

FOREIGN PATENT DOCUMENTS

JP 1299343 S 3/2007

OTHER PUBLICATIONS

Related U.S. Appl. No. 29/308,408, filed Jun. 16, 2008; Inventor: Naoki Morita; Title: Hose Clamp.

Related U.S. Appl. No. 29/308,409, filed Jun. 16, 2008; Inventor: Naoki Morita; Title: Hose Clamp.

Related U.S. Appl. No. 29/308,410, filed Jun. 16, 2008; Inventor: Naoki Morita; Title: Hose Clamp.

Related U.S. Appl. No. 29/308,411, filed Jun. 16, 2008; Inventor: Naoki Morita; Title: Hose Clamp.

Japanese Office Action dated Sep. 24, 2008 and English Abstract thereof issued in counterpart Japanese Application No. 2007-034907.

* cited by examiner

Primary Examiner—T. Chase Nelson

Assistant Examiner—Michael A Pratt

(74) *Attorney, Agent, or Firm*—Frishauf, Holtz, Goodman & Chick, P.C.

(57) **CLAIM**

The ornamental design for the hose clamp, as shown and described.

DESCRIPTION

FIG. 1 is a perspective view of the hose clamp showing my new design;

FIG. 2 is a rear view thereof;

FIG. 3 is a front view thereof;

FIG. 4 is a top plan view thereof;

FIG. 5 is a bottom plan view thereof;

FIG. 6 is a left side view thereof;

FIG. 7 is a right side view thereof;

FIG. 8 is a perspective view thereof in a state of use;

FIG. 9 is a fragmentary enlarged view of the clasp structure of the hose clamp seen at the tops of FIGS. 1 and 2; and,

FIG. 10 is a perspective view of the opposite side of FIG. 9.

The broken lines shown in FIGS. 1–8 are included for the purpose of illustrating environment and form no part of the claimed design.

1 Claim, 5 Drawing Sheets

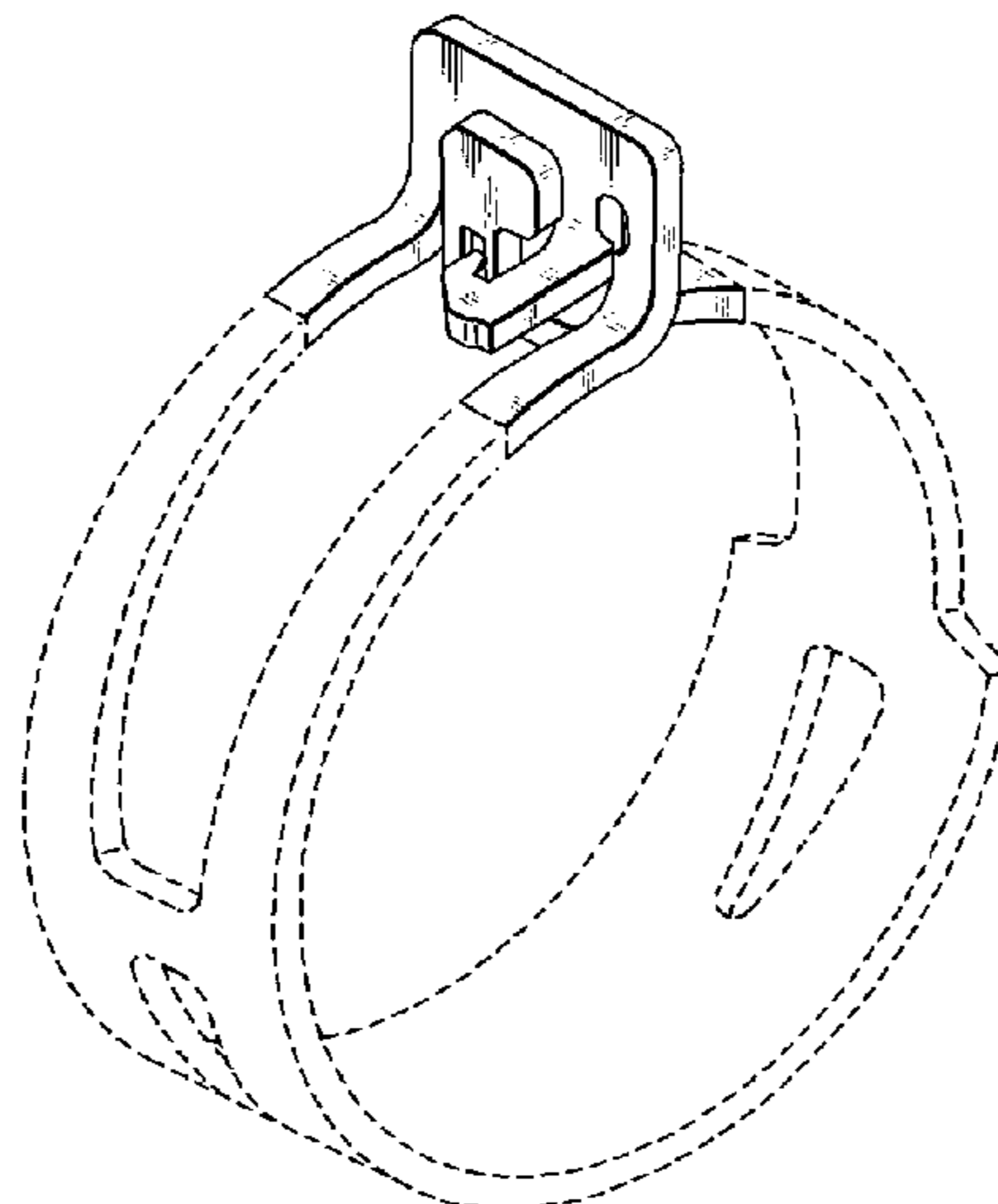


FIG.1

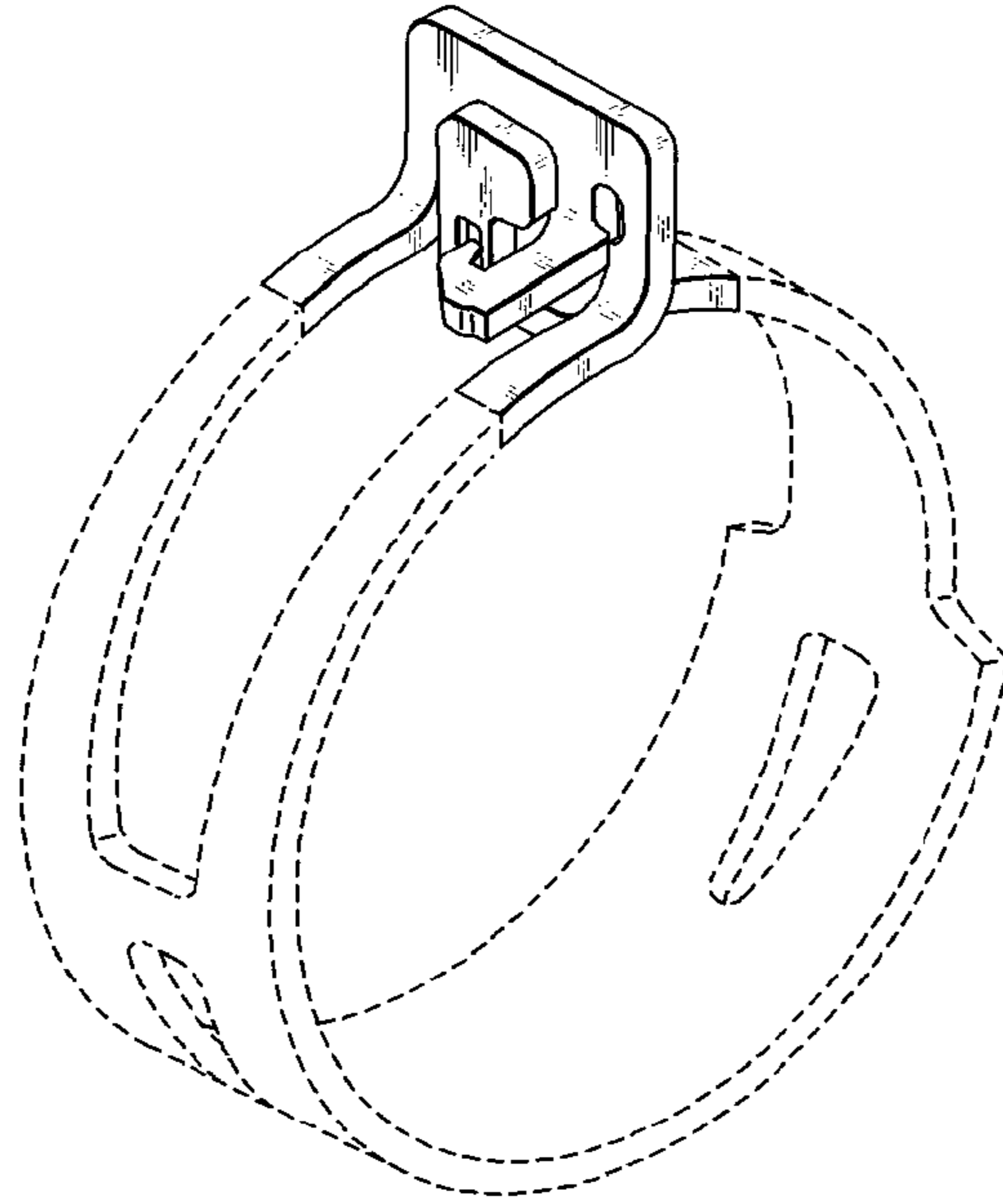


FIG.2

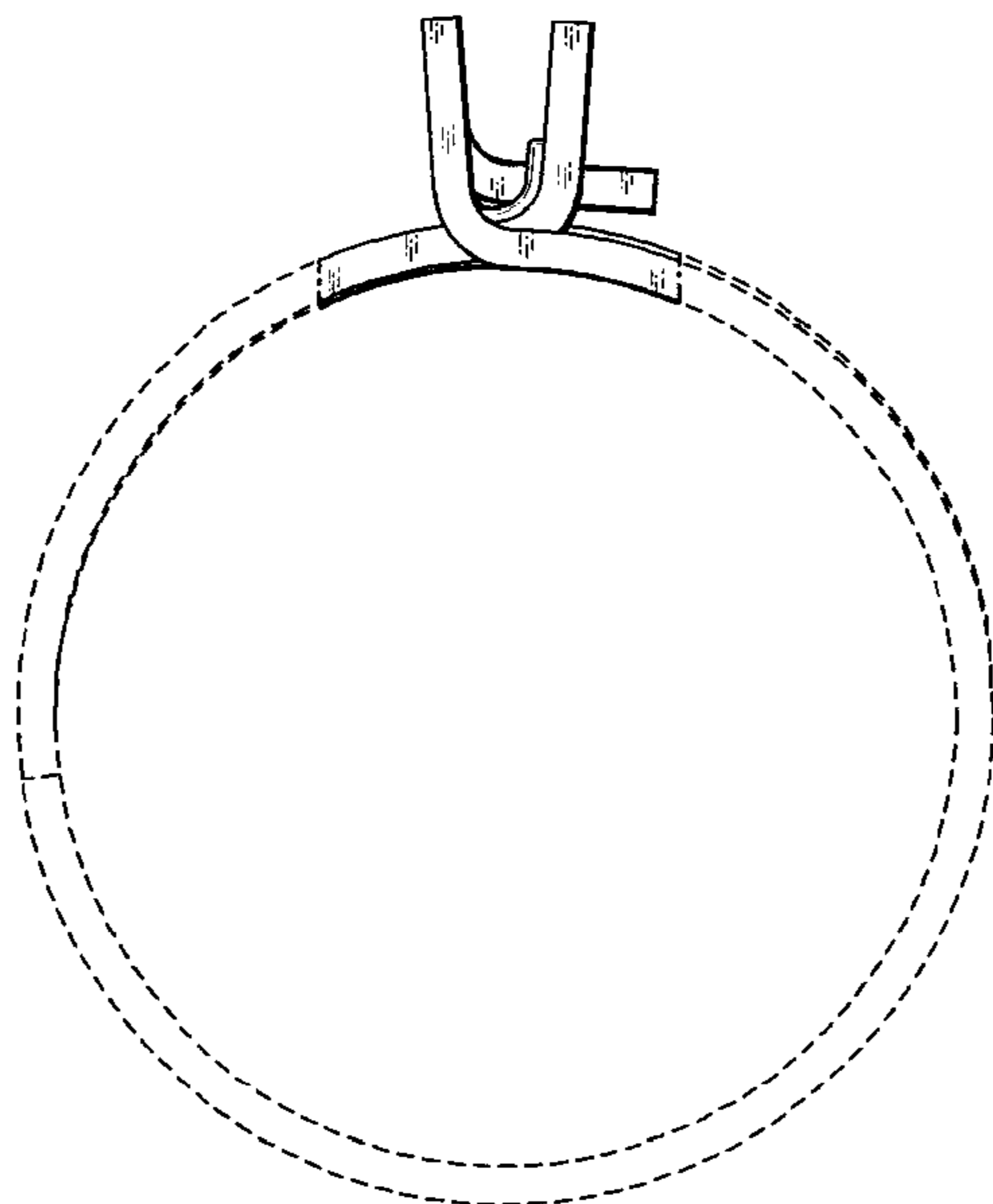


FIG.3

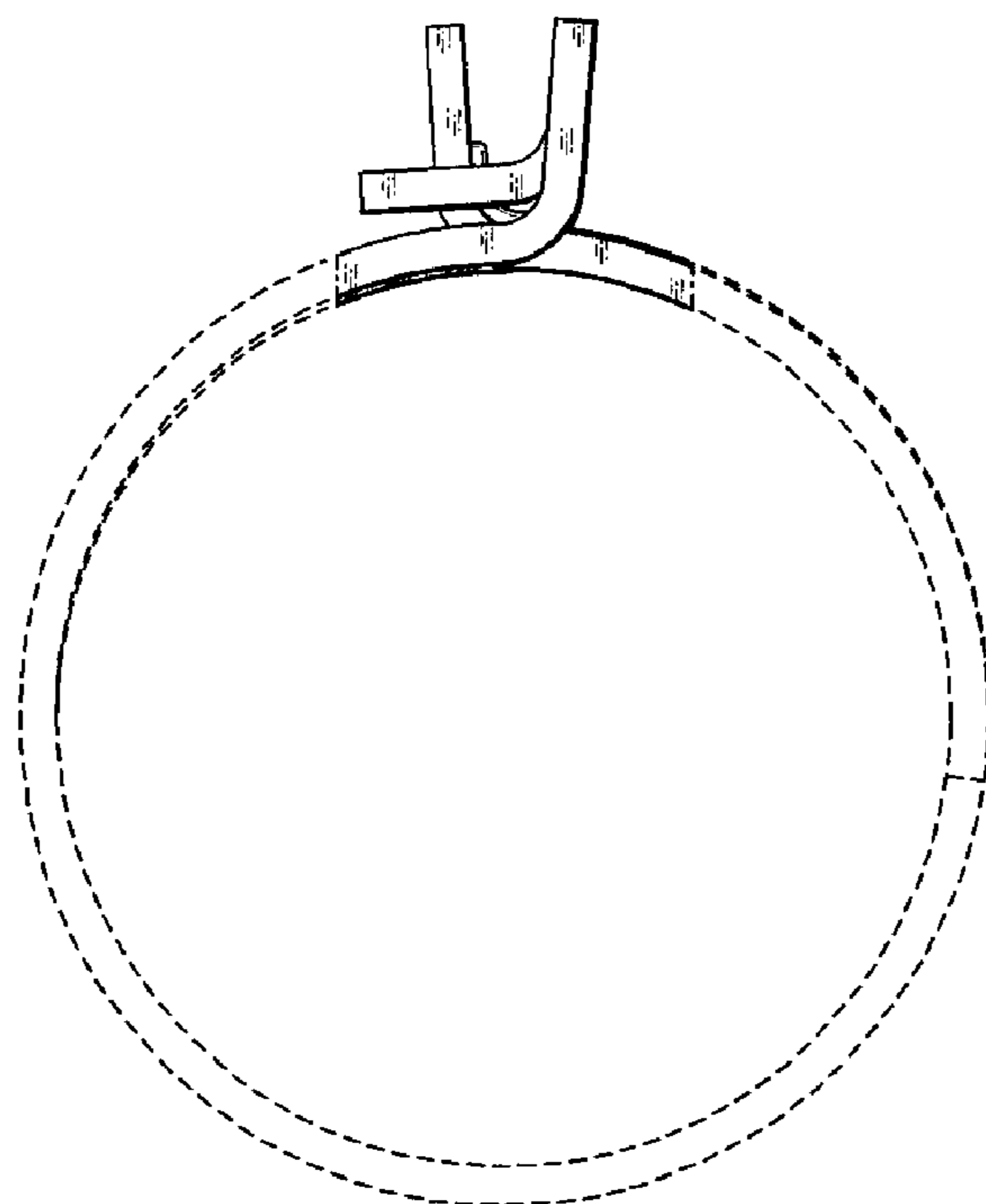


FIG.4

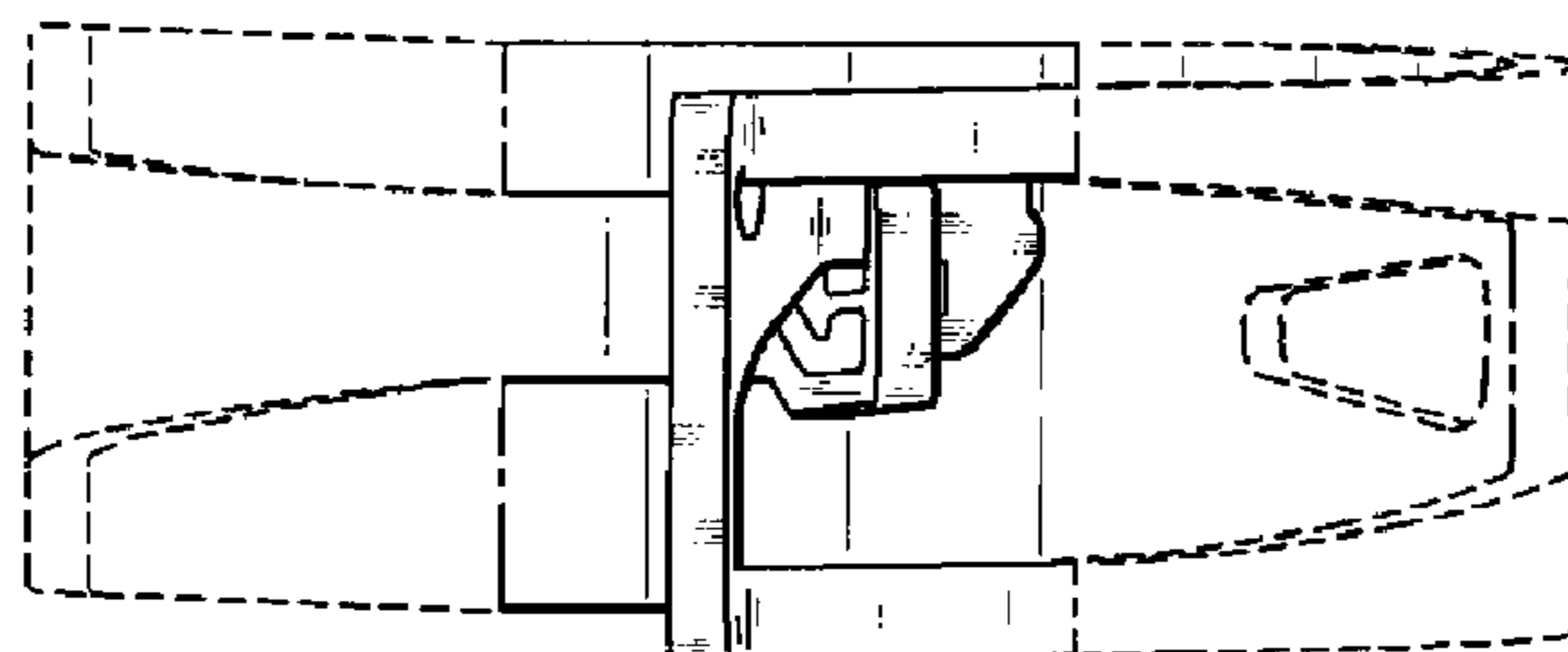


FIG.5

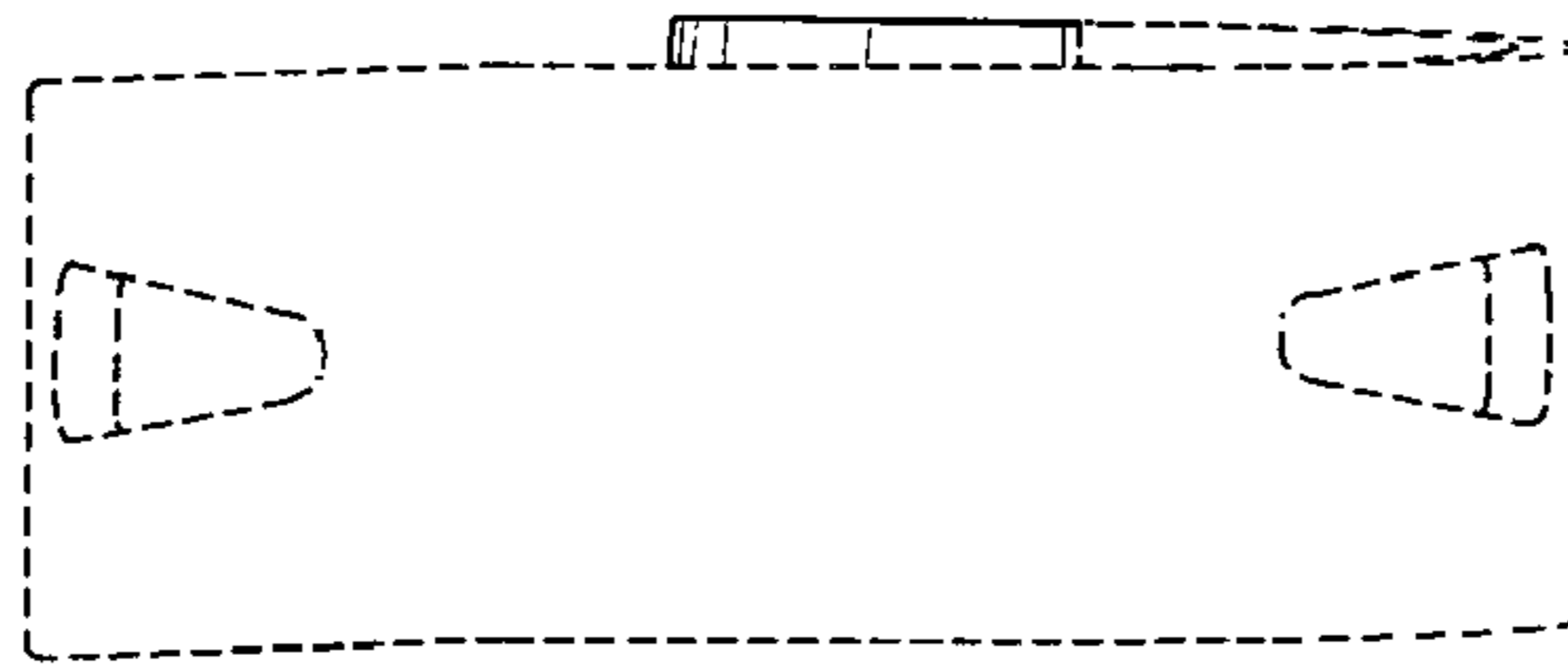


FIG.6

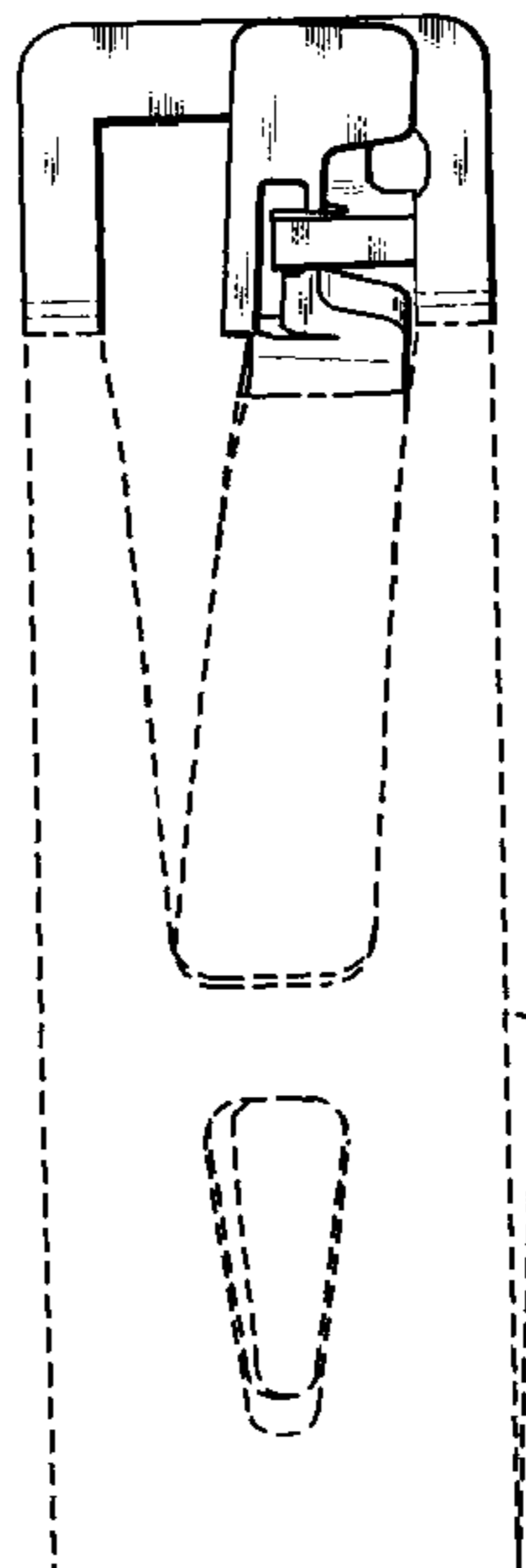


FIG. 7

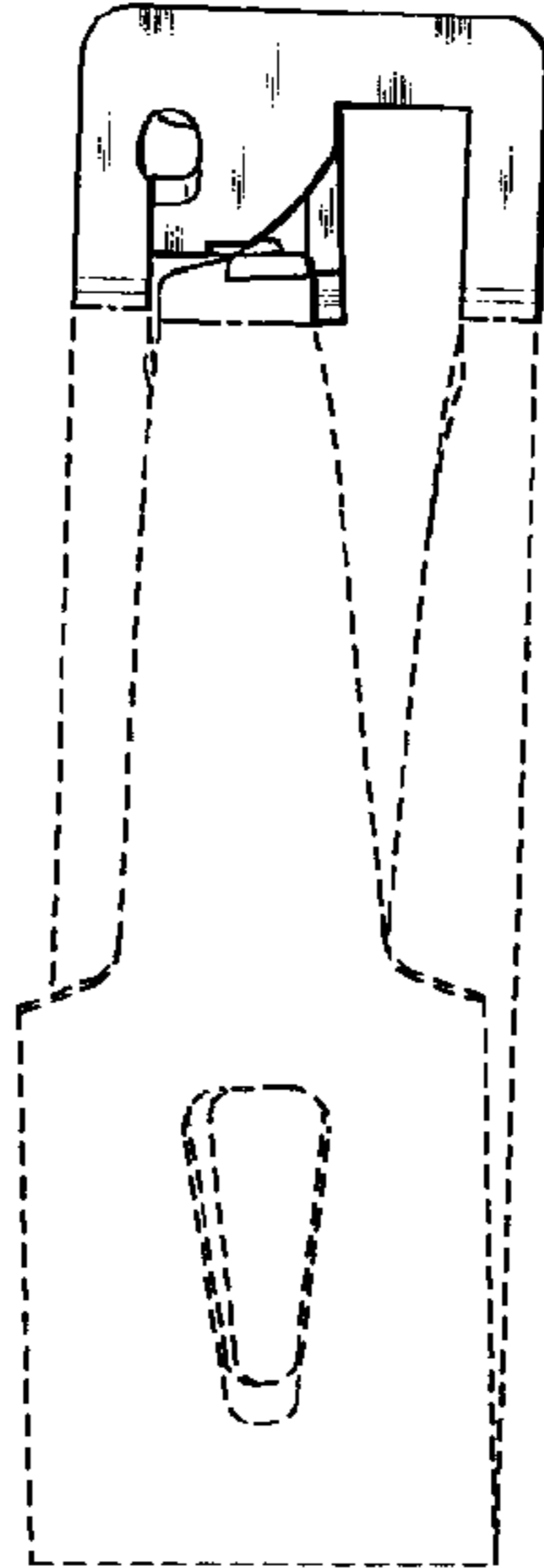


FIG. 8

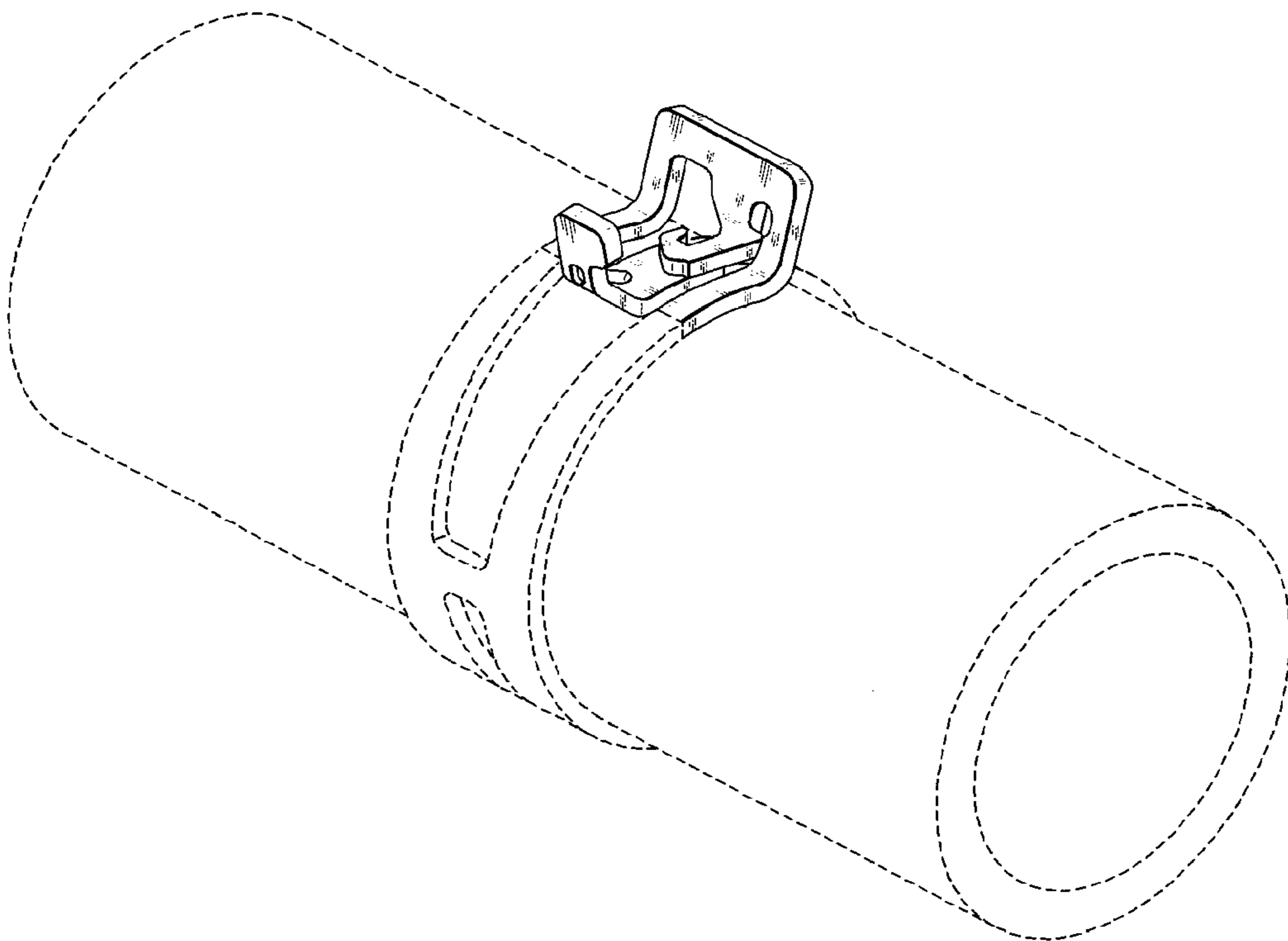


FIG.9

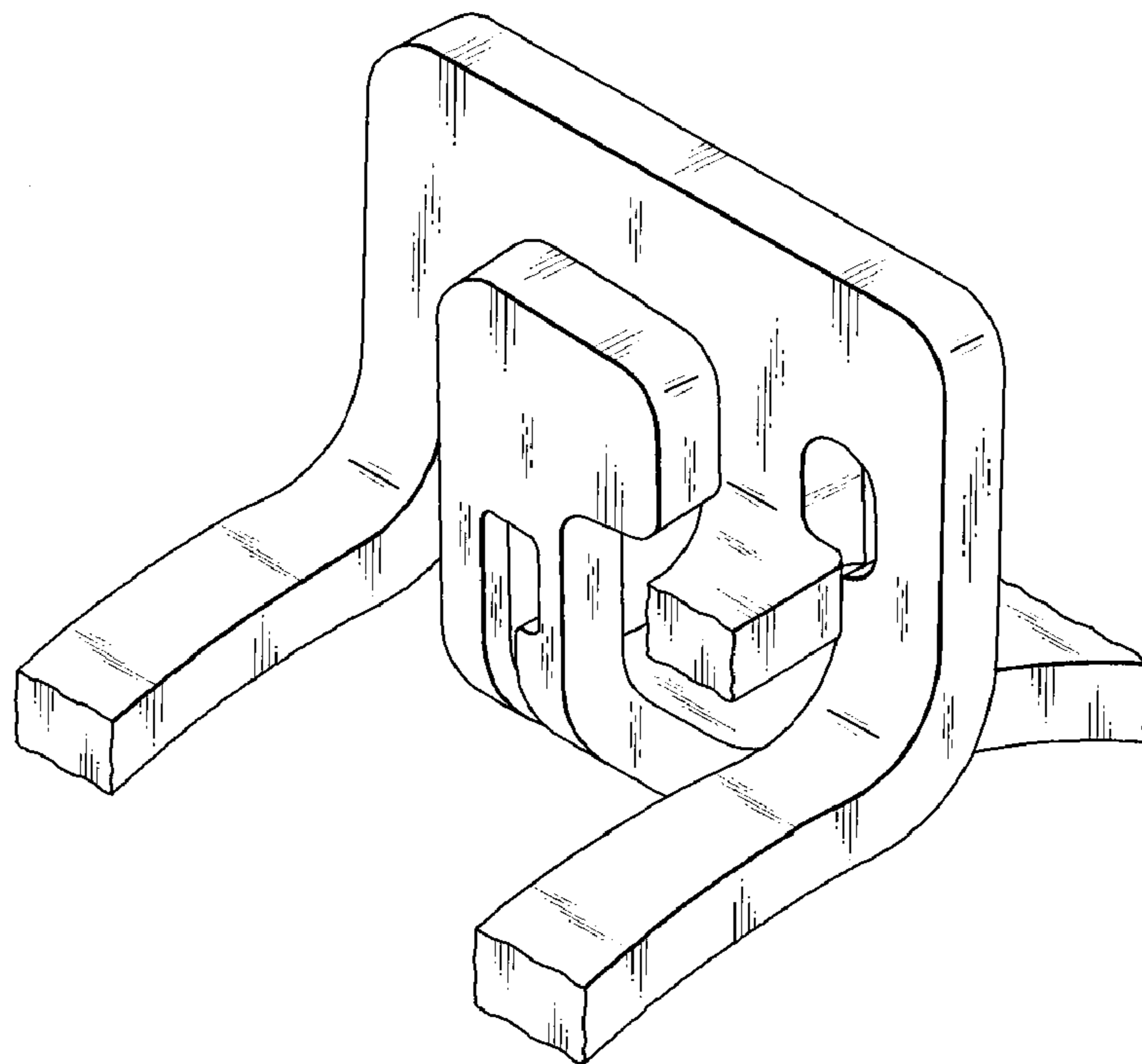


FIG.10

