



US00D602128S

(12) **United States Design Patent**
Williams et al.

(10) **Patent No.:** **US D602,128 S**
(45) **Date of Patent:** **** Oct. 13, 2009**

(54) **COUPLING INSERT**

(75) Inventors: **Randall Scott Williams**, Minneapolis, MN (US); **Patrick Thomas Gerst**, Oakdale, MN (US); **Grant Armin Wilhelm**, Plymouth, MN (US); **James Mark Hanson**, Woodbury, MN (US)

(73) Assignee: **Colder Products Company**, St. Paul, MN (US)

(**) Term: **14 Years**

(21) Appl. No.: **29/331,584**

(22) Filed: **Jan. 28, 2009**

(51) **LOC (9) Cl.** **23-01**

(52) **U.S. Cl.** **D23/262; D24/127**

(58) **Field of Classification Search** D23/259-269;
285/11-12, 7, 177, 394-395, 307, 358, 179-183,
285/423, 356, 303, 337, 1, 53, 404, 112,
285/367, 373, 915; 4/321, 323; 292/58-59;
D24/127-129

See application file for complete search history.

(56) **References Cited**

U.S. PATENT DOCUMENTS

3,990,727 A	11/1976	Gallagher	
D293,710 S *	1/1988	Woods	D23/265
4,844,512 A	7/1989	Gahwiler	
4,991,882 A	2/1991	Gähwiler	
5,052,725 A *	10/1991	Meyer et al.	285/308
5,104,157 A	4/1992	Bahner	
5,213,376 A	5/1993	Szabo	
5,277,402 A	1/1994	Szabo	
5,324,080 A	6/1994	McNaughton	
5,466,017 A	11/1995	Szabo	
D368,304 S *	3/1996	Morrison	D23/262
5,568,946 A	10/1996	Jackowski	
D377,969 S *	2/1997	Grantham	D23/262
D387,146 S *	12/1997	Morrison	D23/262
D387,147 S *	12/1997	Vandermast et al.	D23/262
5,799,987 A *	9/1998	Sampson	285/81
5,823,508 A	10/1998	Nie	

5,873,610 A	2/1999	Szabo	
5,964,485 A	10/1999	Hame et al.	
6,257,627 B1	7/2001	Fujiwara	
6,688,654 B2	2/2004	Romero	
7,055,869 B2	6/2006	Malone	
7,370,662 B2 *	5/2008	Mele	137/15.01
2006/0212024 A1 *	9/2006	Blake et al.	604/544
2008/0073911 A1 *	3/2008	Wells et al.	285/369

FOREIGN PATENT DOCUMENTS

EP	0 982 525 A1	3/2000
GB	2 323 418 A	9/1998

OTHER PUBLICATIONS

Hollister, Ostomy Care, 1 page.
Hollister, 1 page.
Hollister, 1 page.
Hollister, Ostomy Care, 1 page.
Hollister, 1 page.

* cited by examiner

Primary Examiner—T. Chase Nelson
Assistant Examiner—Eric L Goodman

(74) *Attorney, Agent, or Firm*—Merchant & Gould P.C.

(57) **CLAIM**

The ornamental design for the coupling insert, as shown and described.

DESCRIPTION

FIG. 1 is a first top perspective view of the coupling insert.

FIG. 2 is a second top perspective view thereof.

FIG. 3 is a top view thereof.

FIG. 4 is a side view thereof.

FIG. 5 is an end view thereof; and,

FIG. 6 is an opposite end view thereof.

The bottom and other side are identical to the top and side shown in FIGS. 3 and 4, respectively. The broken line showing aspects of the coupling insert is for the purpose of illustrating environmental structure and forms no part of the claimed design.

1 Claim, 6 Drawing Sheets

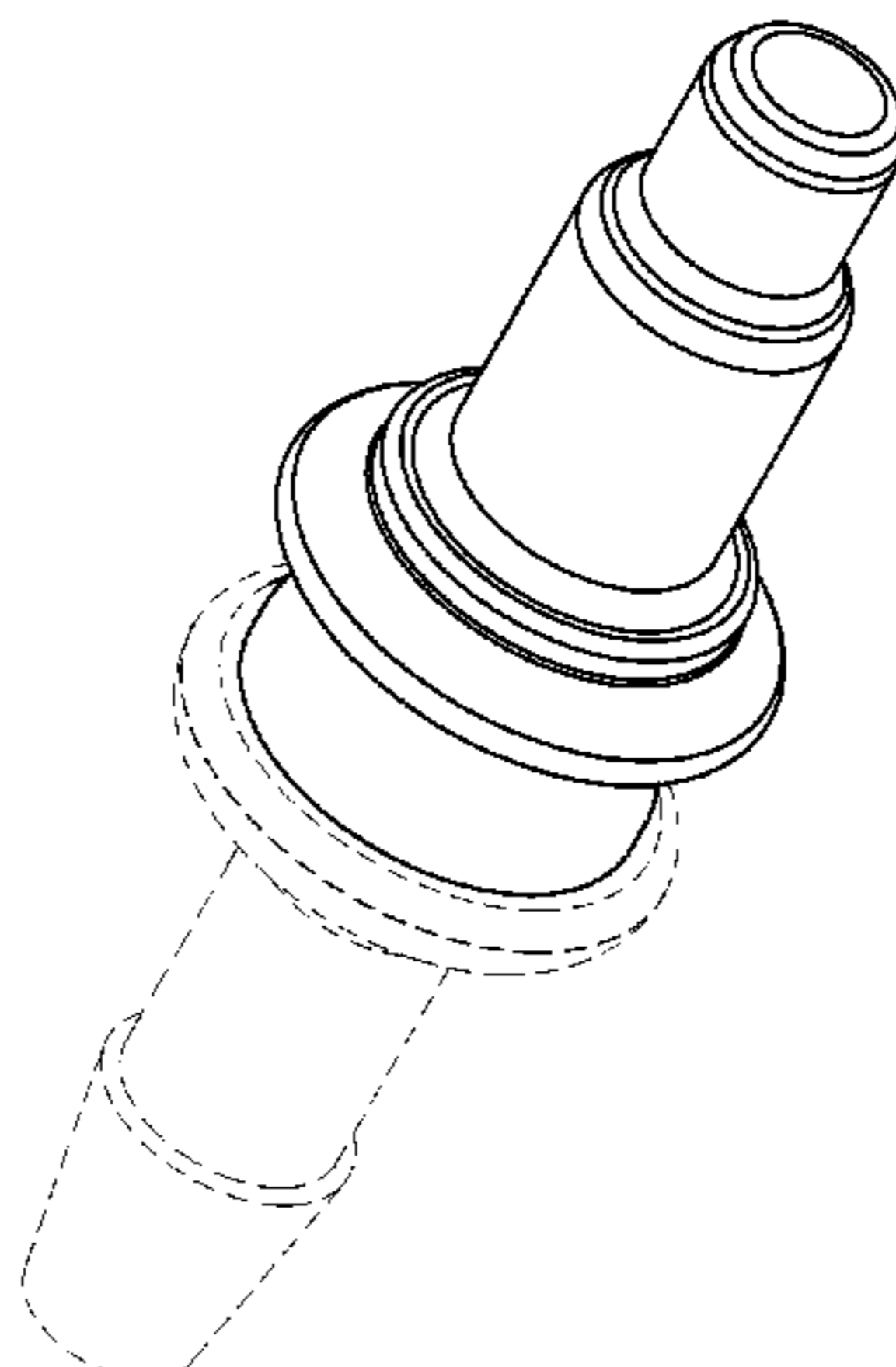


FIG. 1

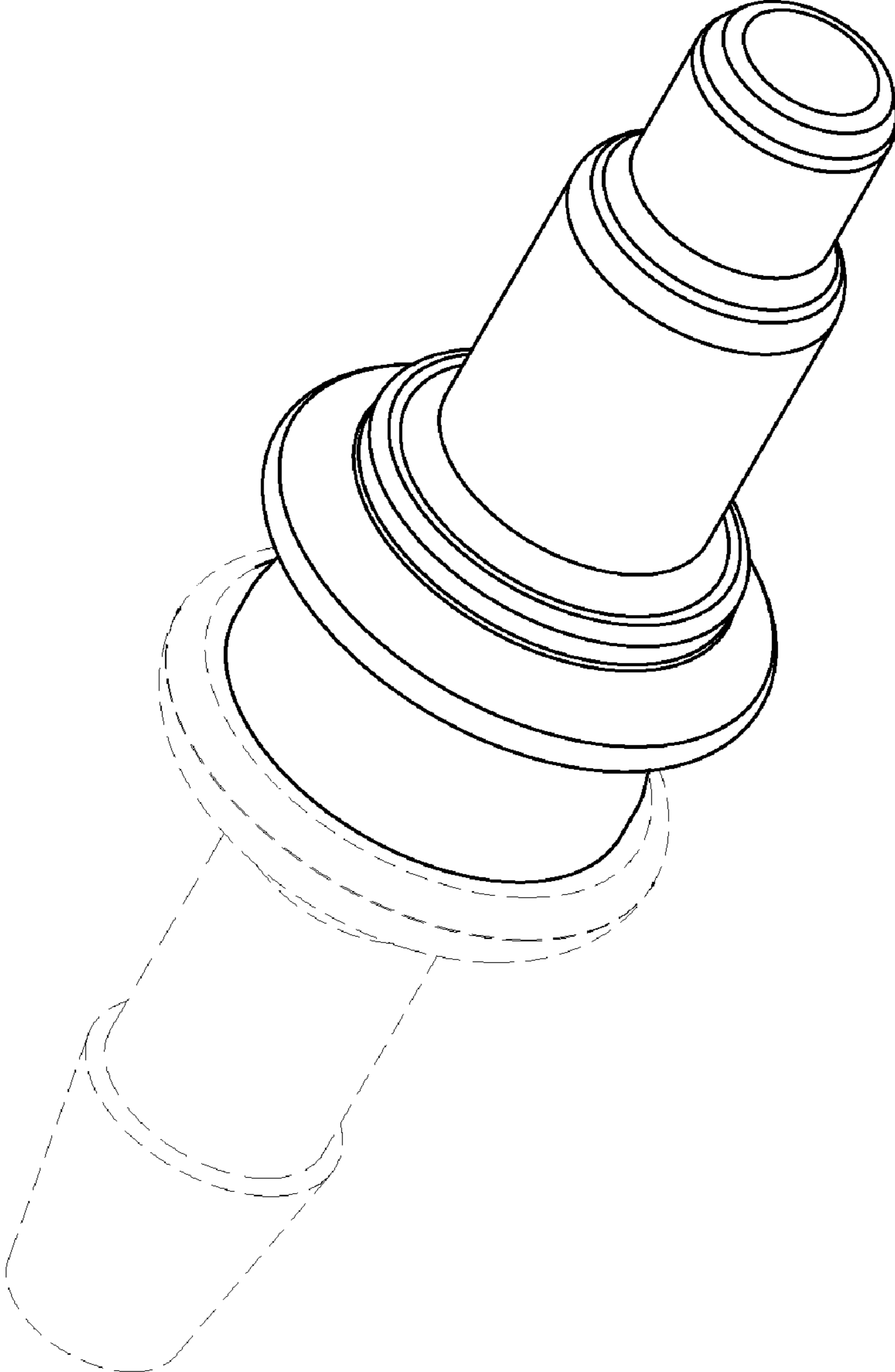


FIG. 2

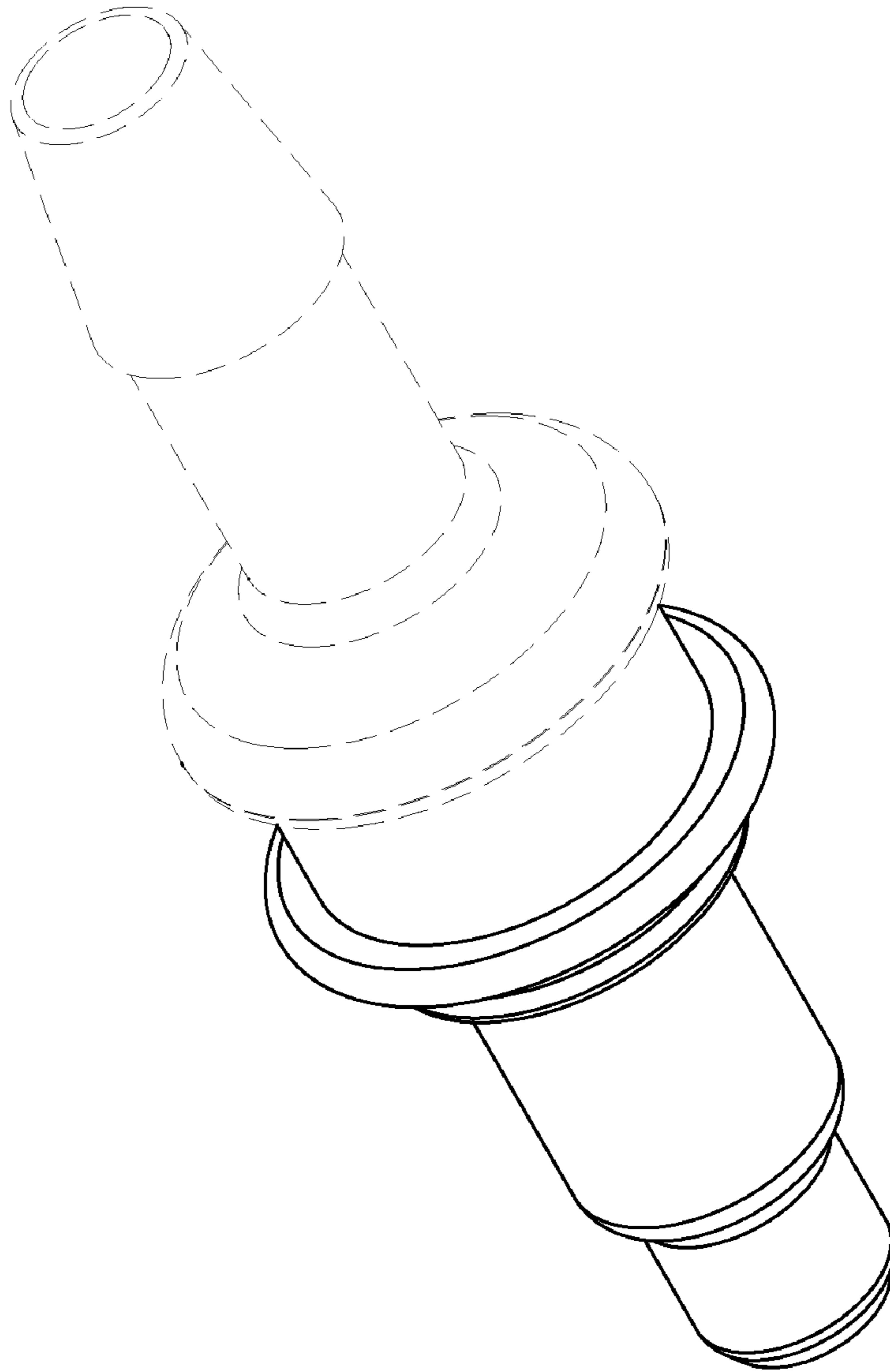


FIG. 3

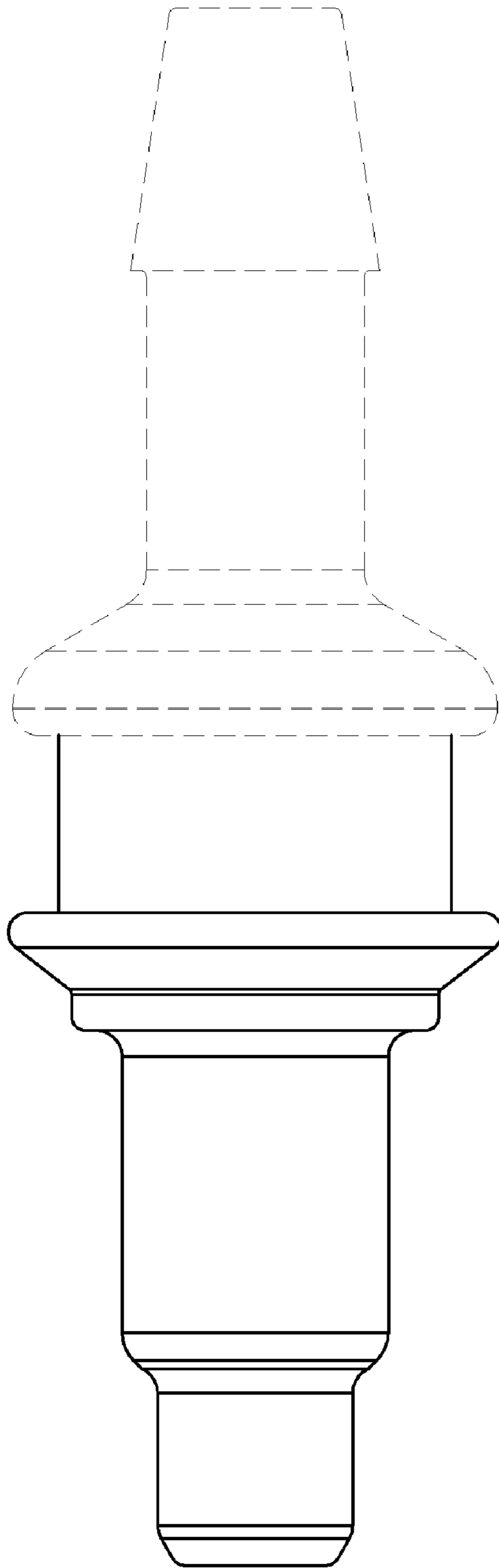


FIG. 4

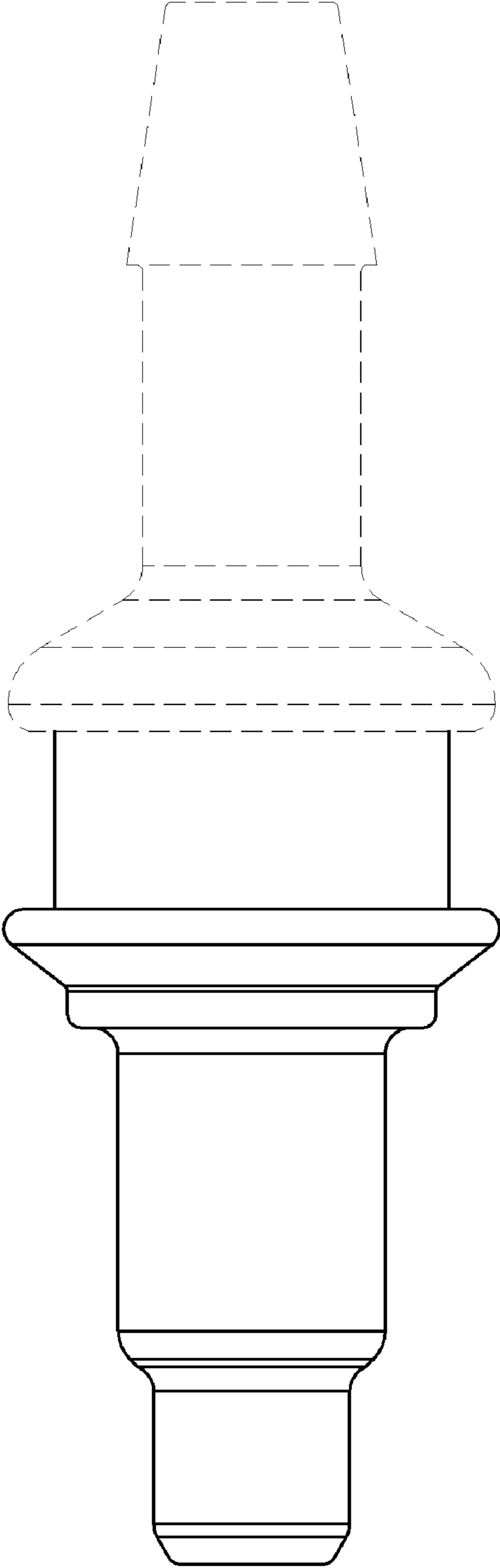


FIG. 5

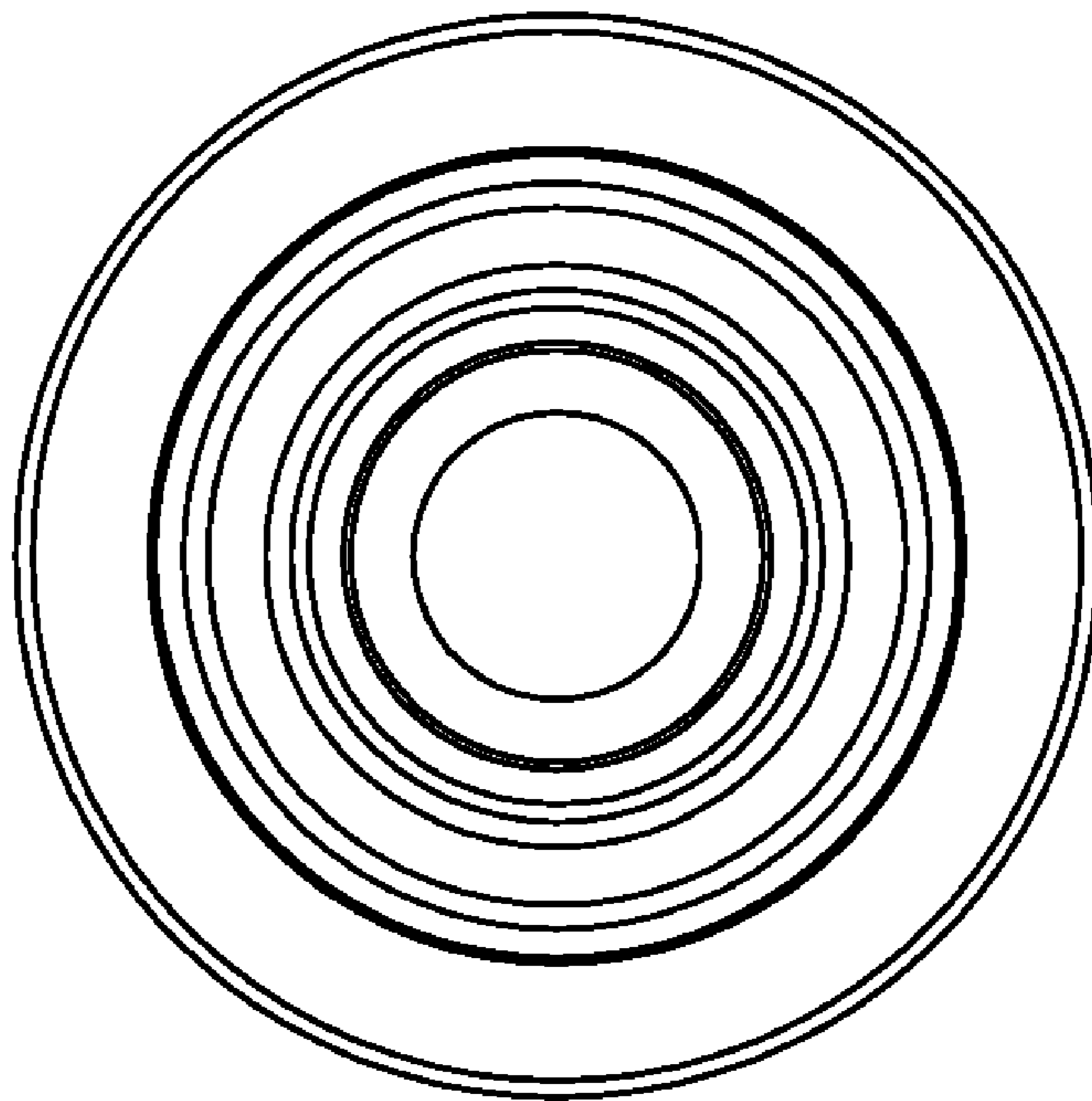


FIG. 6

