



US00D602127S

(12) **United States Design Patent**
Shah et al.

(10) **Patent No.:** **US D602,127 S**
(45) **Date of Patent:** **** Oct. 13, 2009**

(54) **FLEXIBLE RIBBED PIPE COUPLING**

(75) Inventors: **Amit R. Shah**, Quakertown, PA (US);
Douglas R. Dole, Whitehouse Station,
NJ (US); **John W. Pierce**, Nazareth, PA
(US); **Scott D. Madara**, Nazareth, PA
(US)

(73) Assignee: **Victaulic Company**, Easton, PA (US)

(**) Term: **14 Years**

(21) Appl. No.: **29/331,485**

(22) Filed: **Jan. 27, 2009**

(51) **LOC (9) Cl.** **23-01**

(52) **U.S. Cl.** **D23/262**

(58) **Field of Classification Search** D23/259–269;
285/11–12, 7, 177, 394–395, 307, 358, 179–183,
285/423, 356, 303, 337, 1, 53, 404, 112,
285/367, 373, 915; 403/300, 291
See application file for complete search history.

(56) **References Cited**

U.S. PATENT DOCUMENTS

872,659	A *	12/1907	Lord	277/623
2,861,822	A *	11/1958	Risley et al.	285/348
D208,388	S *	8/1967	Graham	D23/265
3,352,579	A *	11/1967	Hoke	277/621
4,183,560	A *	1/1980	Wyss	285/232
D453,816	S *	2/2002	Sato et al.	D23/262
6,494,502	B1 *	12/2002	Plante	285/373

D513,793	S *	1/2006	Copeland et al.	D23/262
D515,673	S *	2/2006	Copeland et al.	D23/262
D593,642	S *	6/2009	Copeland et al.	D23/266
2003/0071460	A1 *	4/2003	Snyder et al.	285/340
2005/0146133	A1 *	7/2005	Snyder et al.	285/105

OTHER PUBLICATIONS

U.S. Appl. No. 29/328,916, filed Dec. 4, 2008, Vance W. Henry.
U.S. Appl. No. 29/329,365, filed Dec. 13, 2008, Amit R. Shah.

* cited by examiner

Primary Examiner—T. Chase Nelson

Assistant Examiner—Eric L Goodman

(74) *Attorney, Agent, or Firm*—Ballard Spahr LLP

(57) **CLAIM**

We claim the ornamental design for a flexible ribbed pipe coupling, as shown and described.

DESCRIPTION

FIG. 1 is an isometric view of our design for a flexible ribbed pipe coupling;

FIG. 2 is a front view of the design for a flexible ribbed pipe coupling shown in FIG. 1, the rear view being identical;

FIG. 3 is a top view of the design for a flexible ribbed pipe coupling shown in FIG. 1;

FIG. 4 is a bottom view of the design for a flexible ribbed pipe coupling shown in FIG. 1; and,

FIG. 5 is a left side view of the design for a flexible ribbed pipe coupling shown in FIG. 1, the right side view being identical.

1 Claim, 3 Drawing Sheets

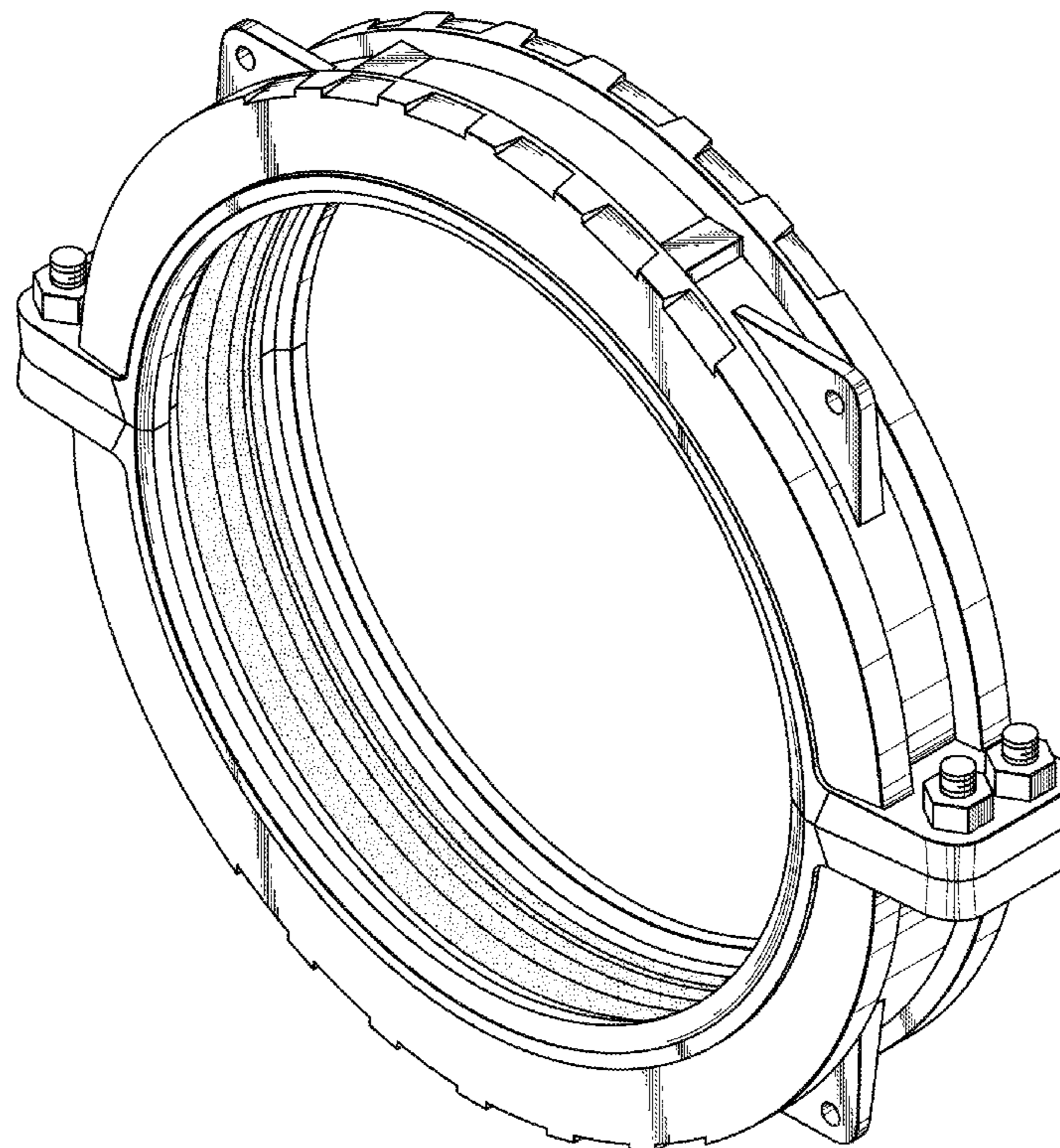
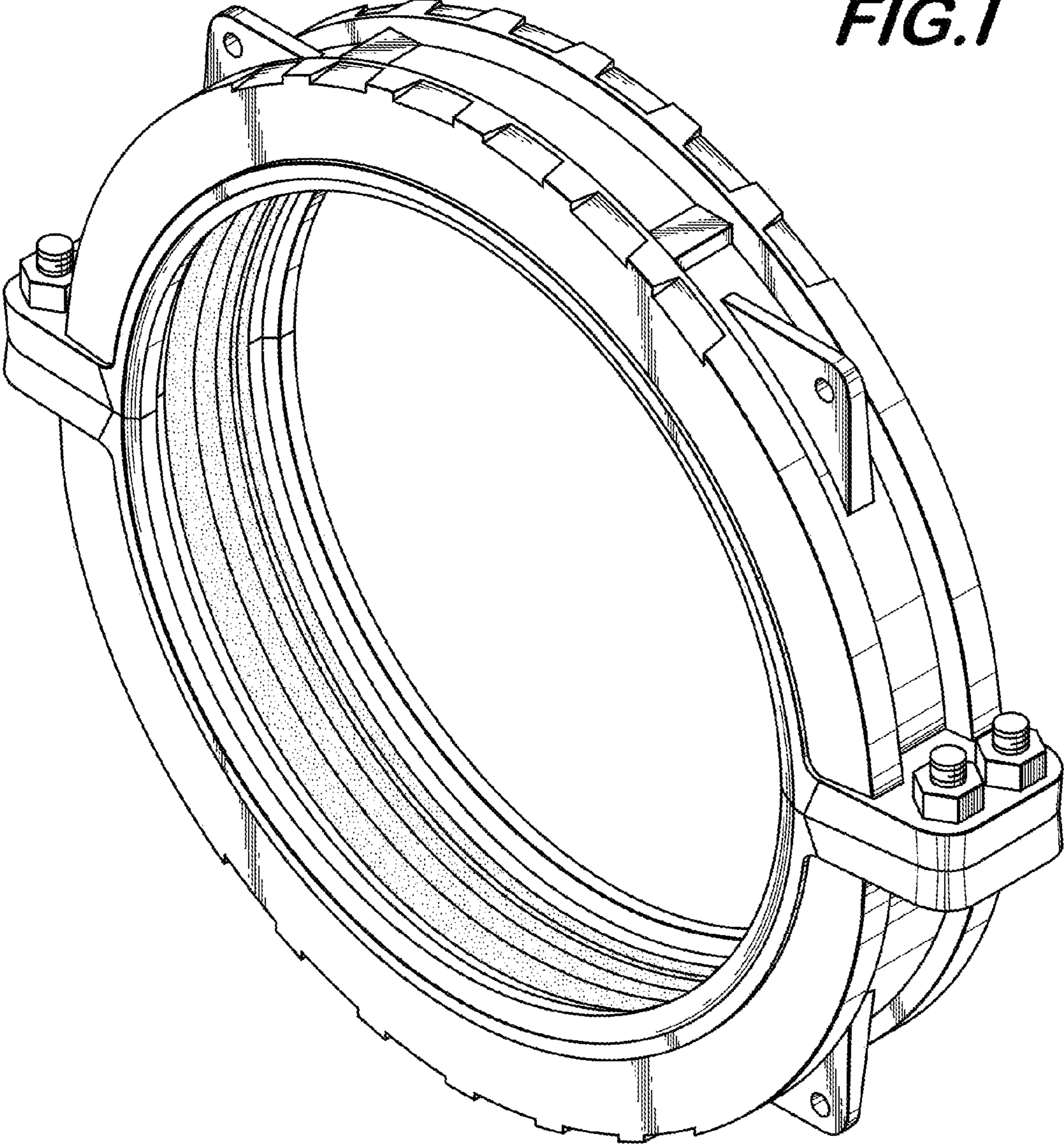


FIG. 1



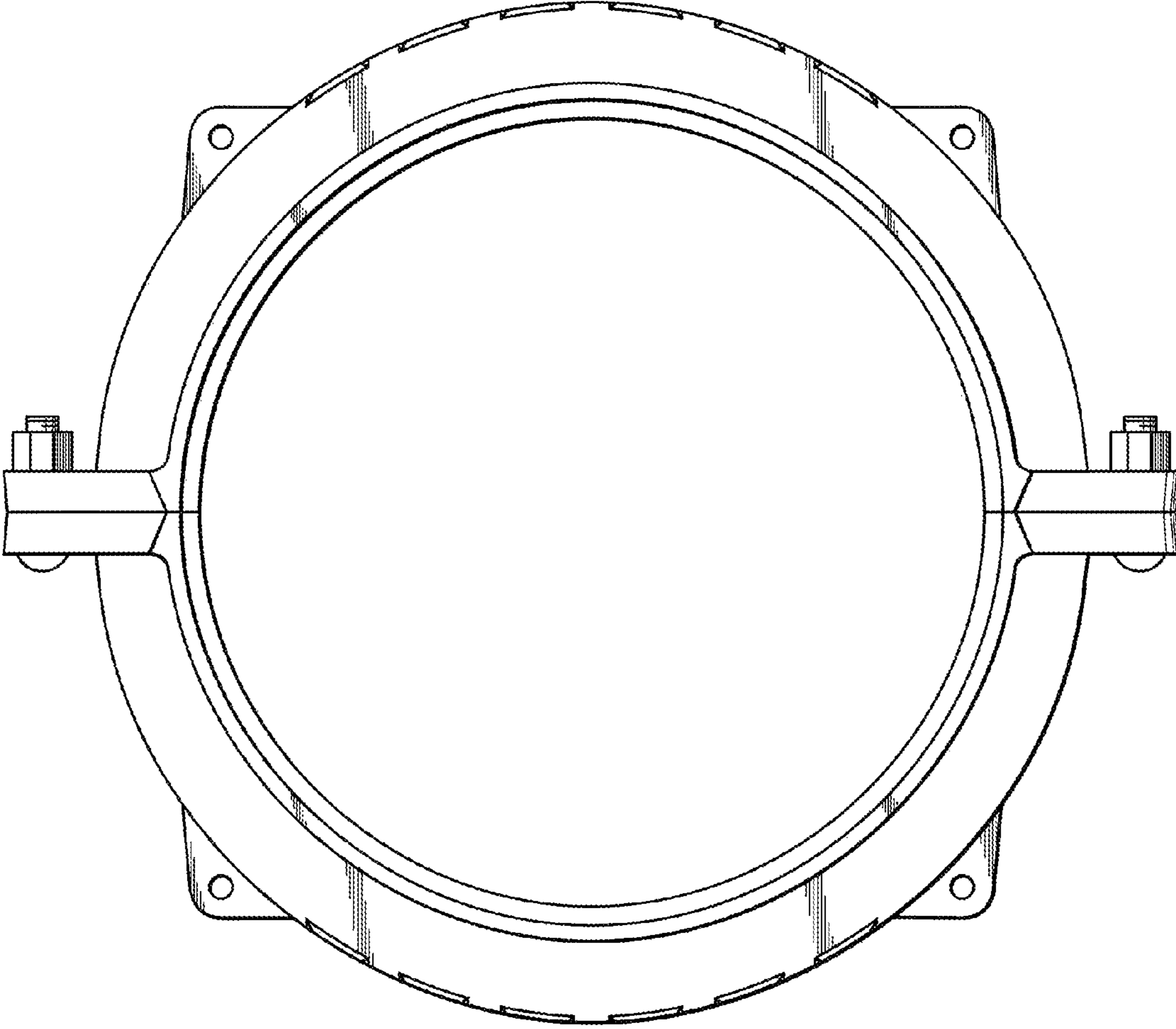


FIG.2

FIG. 3

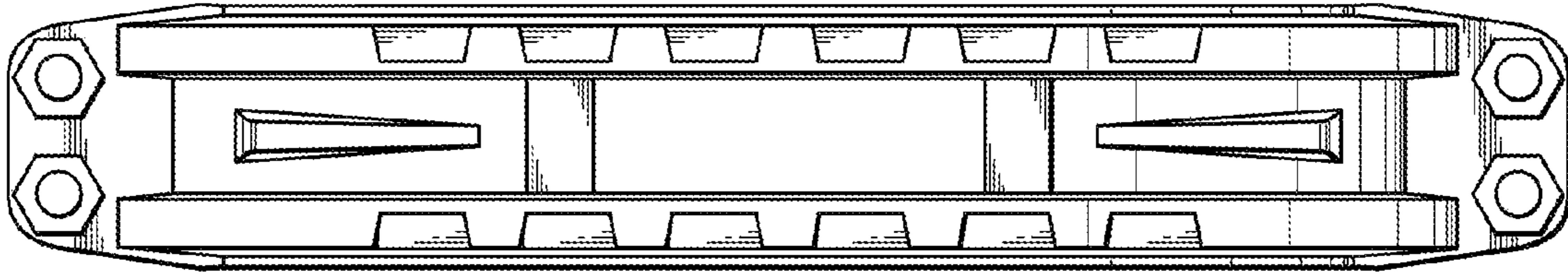


FIG. 4

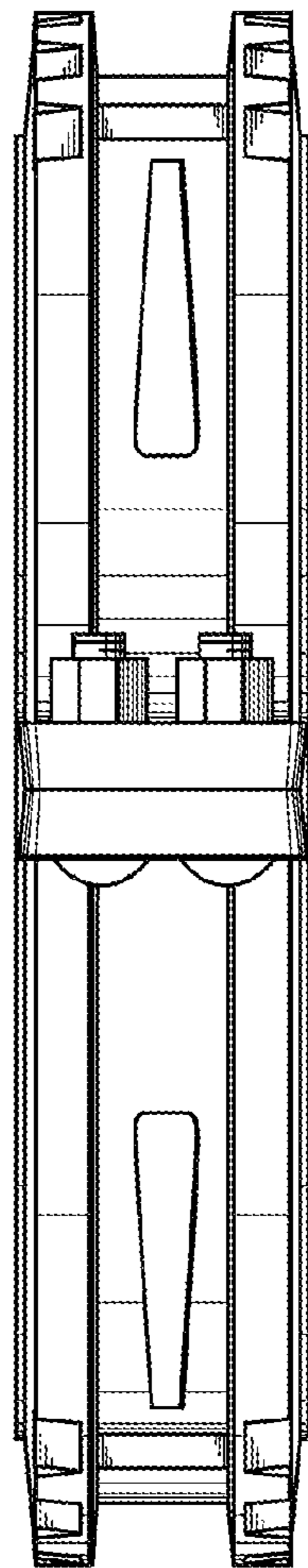
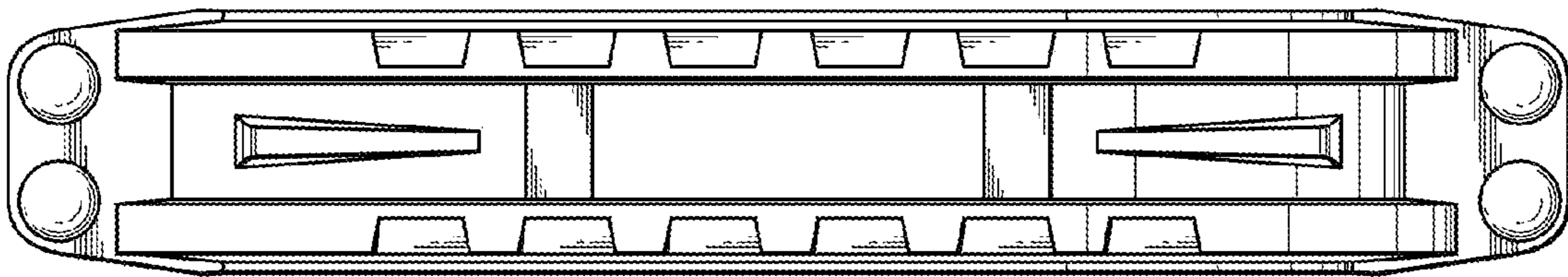


FIG. 5