



US00D602126S

(12) **United States Design Patent**
May

(10) **Patent No.:** **US D602,126 S**

(45) **Date of Patent:** **** Oct. 13, 2009**

(54) **ROOF DRAIN RECEIVER**

2008/0210607 A1* 9/2008 Owen 210/86

(76) Inventor: **Jeffrey Paul May**, 9911 Via Real, Desert Hot Springs, CA (US) 92240

* cited by examiner

Primary Examiner—T. Chase Nelson
Assistant Examiner—Eric L Goodman
(74) *Attorney, Agent, or Firm*—Clement Cheng

(**) Term: **14 Years**

(21) Appl. No.: **29/308,789**

(22) Filed: **Jul. 8, 2008**

(57) **CLAIM**

The ornamental design for a roof drain receiver, as shown and described.

(51) **LOC (9) Cl.** **23-01**

(52) **U.S. Cl.** **D23/259**

(58) **Field of Classification Search** D23/259–269;
52/11, 12, 16, 73.21, 302.3; 4/286; 285/42;
210/163

DESCRIPTION

See application file for complete search history.

FIG. 1 is a perspective view.

FIG. 2 is a front perspective view.

FIG. 3 is a rear side perspective view.

FIG. 4 is a left side perspective view.

FIG. 5 is a right side perspective view.

FIG. 6 is a bottom view; and,

FIG. 7 is a top view.

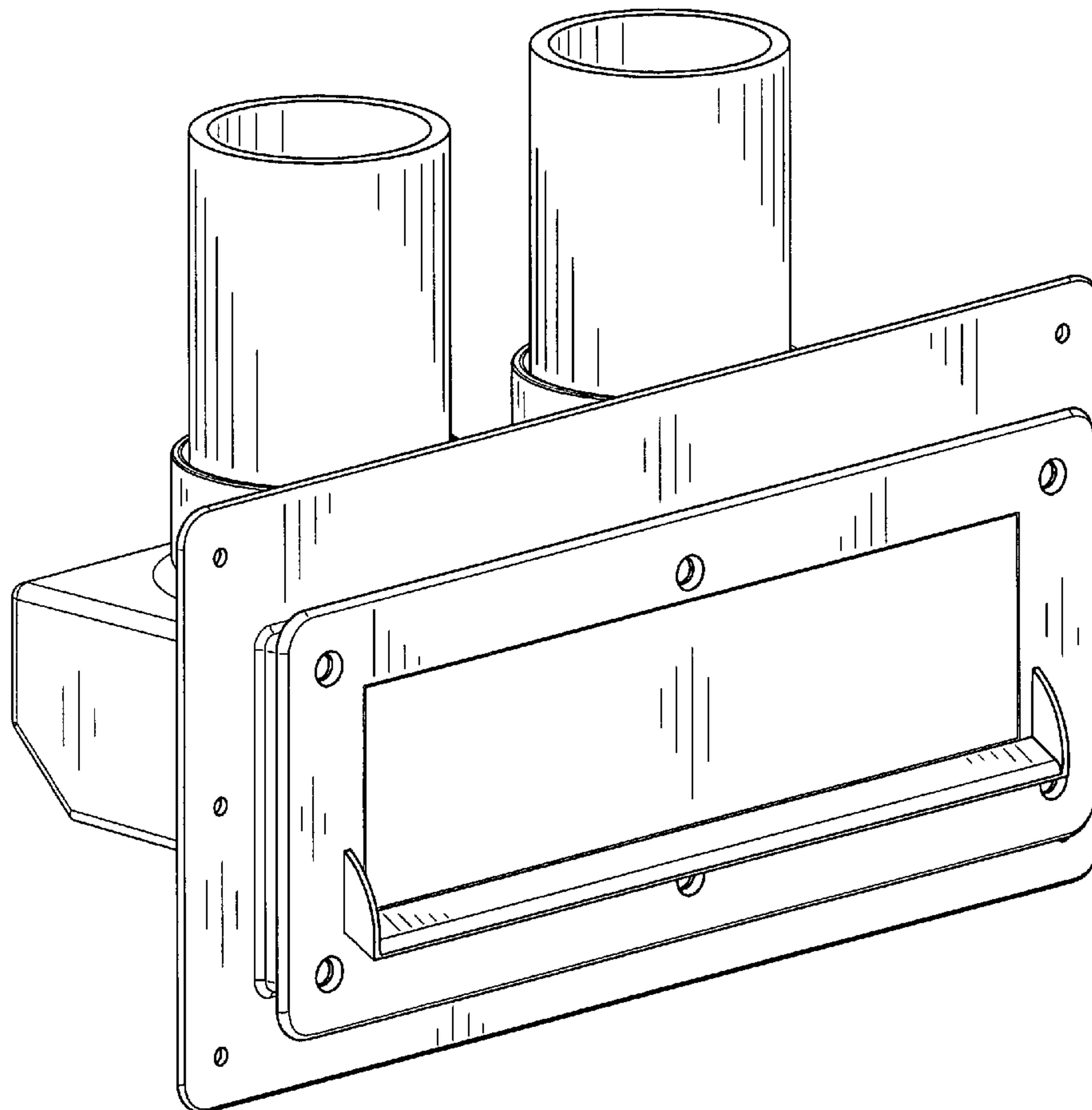
The broken line in FIG. 6 which define the bounds of the claim form no part thereof.

(56) **References Cited**

U.S. PATENT DOCUMENTS

3,378,858	A *	4/1968	Jacuzzi	210/163
3,889,474	A *	6/1975	Frangmeier	405/120
5,722,791	A *	3/1998	Dallmer	405/52
7,415,802	B2 *	8/2008	Froeter et al.	52/302.1
D578,619	S *	10/2008	Rattenbury	D23/261
2005/0109693	A1 *	5/2005	Allard	210/446
2006/0059813	A1 *	3/2006	Froeter et al.	52/302.1

1 Claim, 6 Drawing Sheets



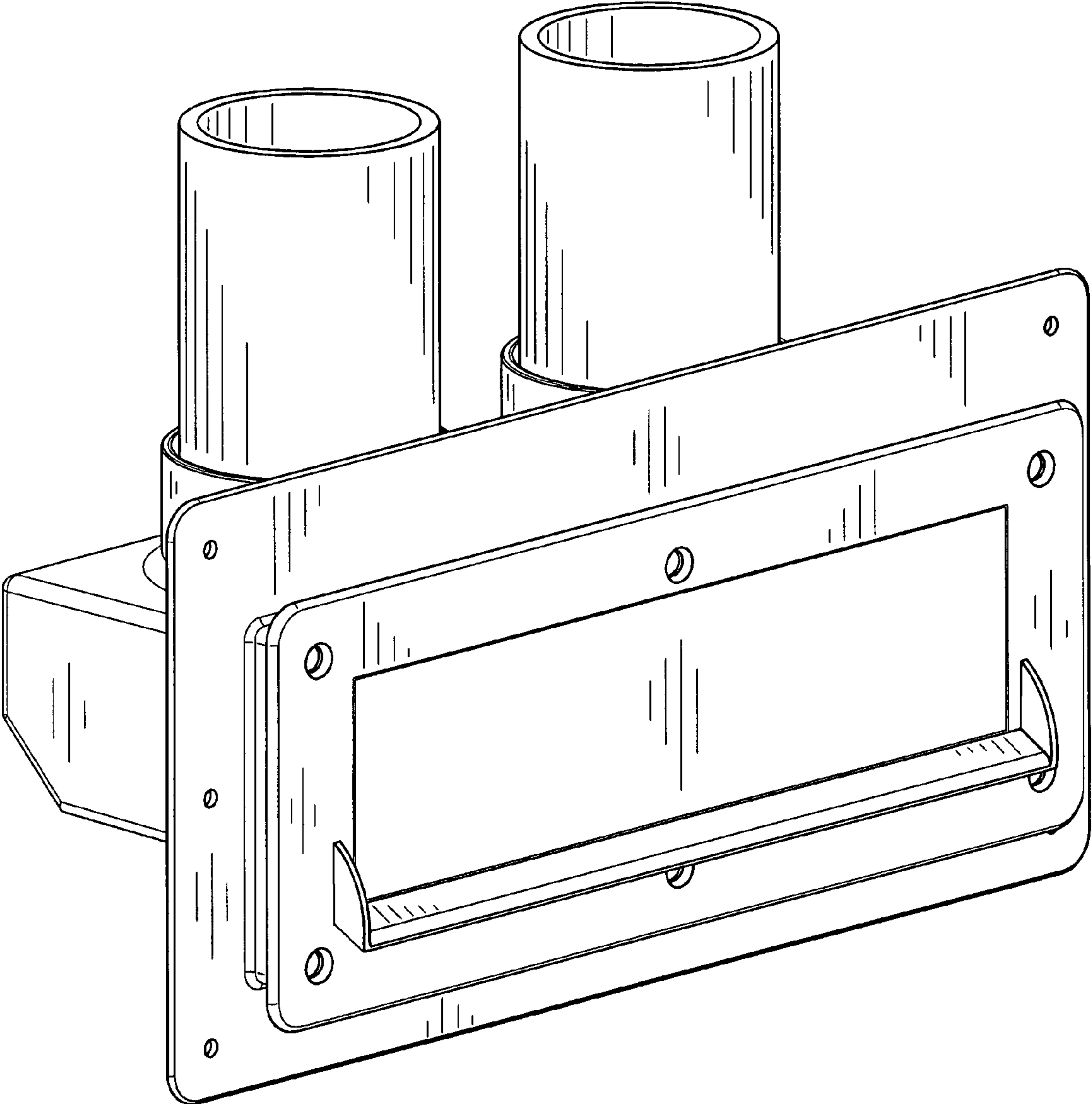


FIG. 1

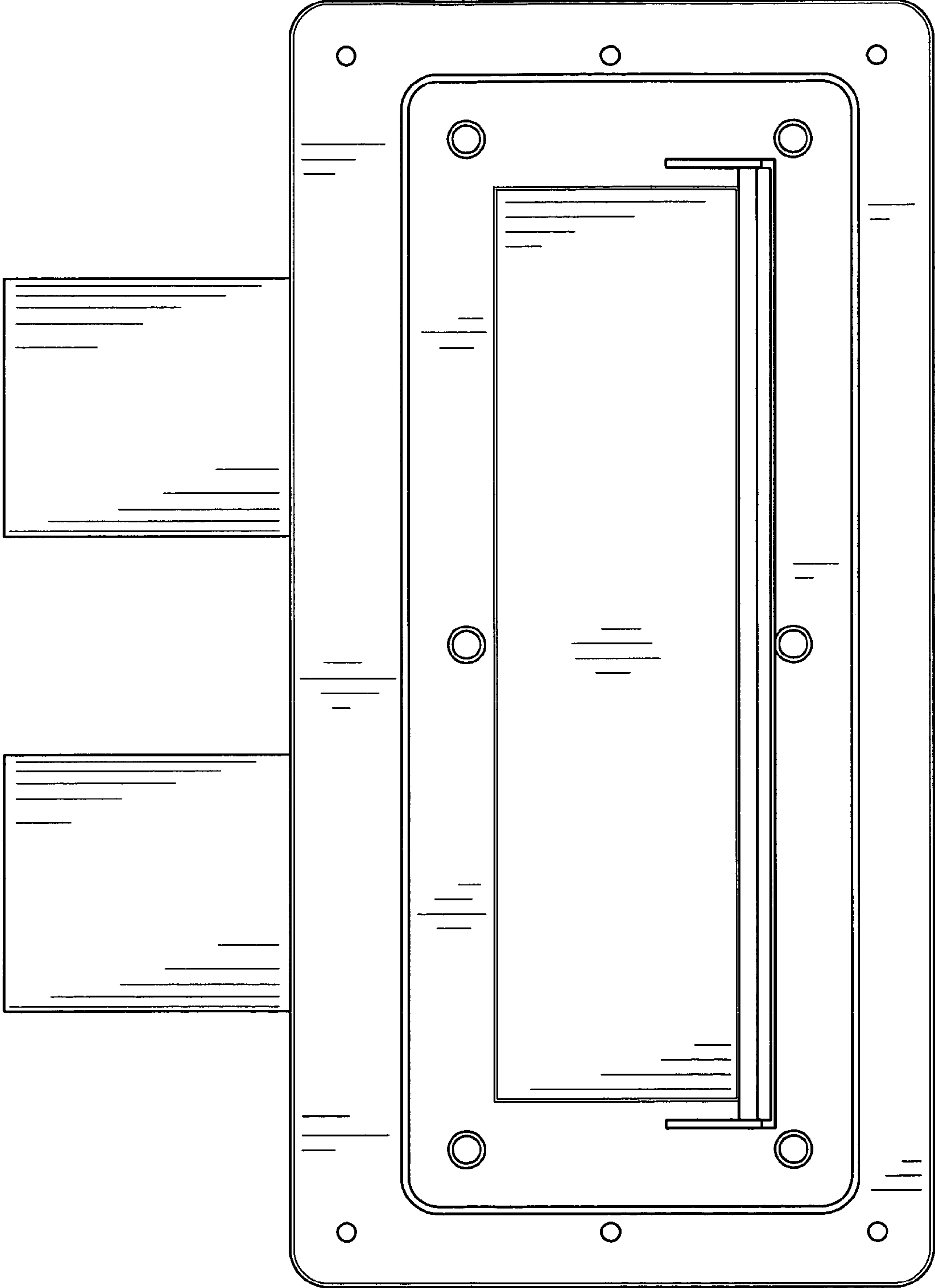


FIG. 2

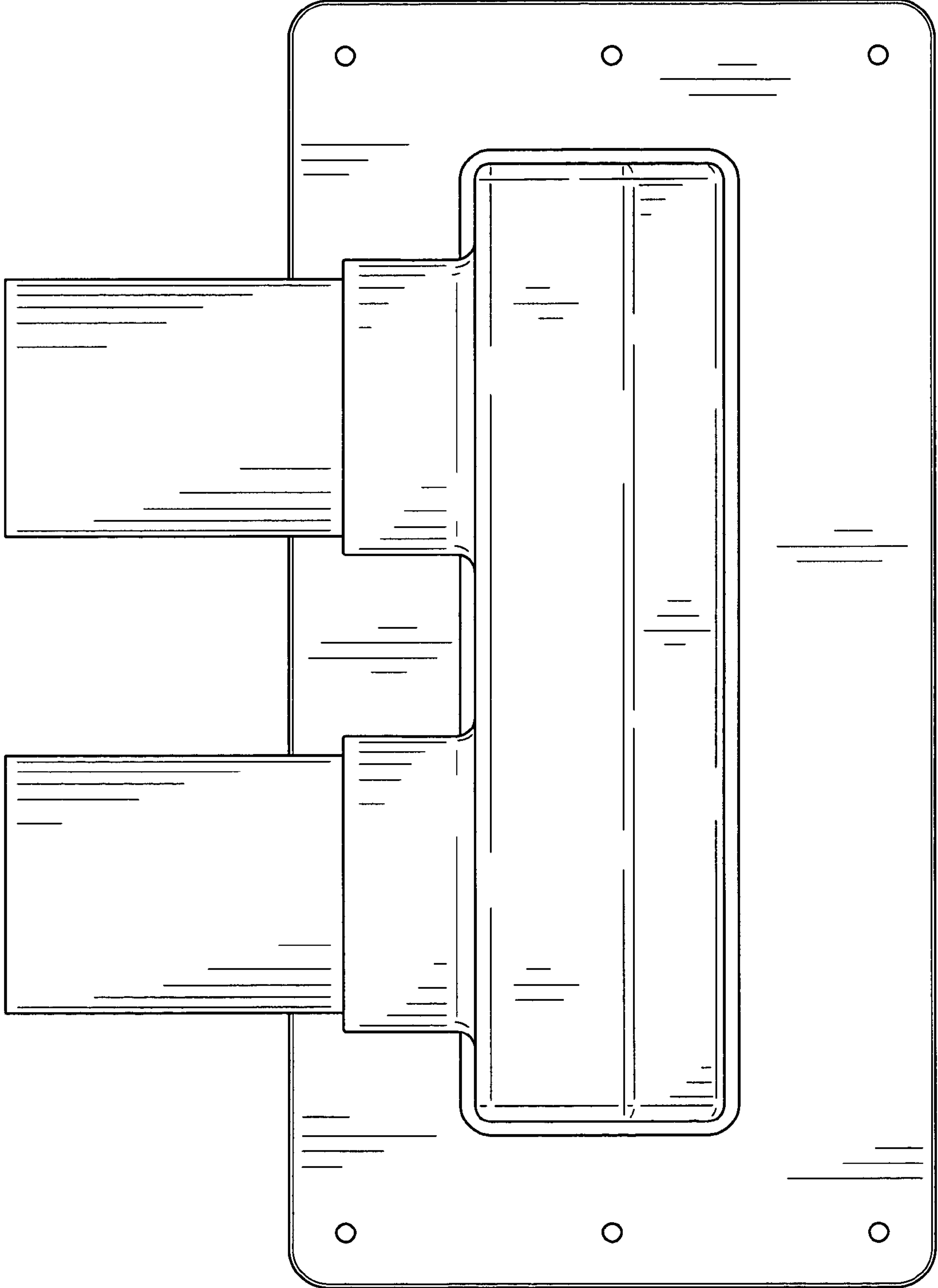


FIG. 3

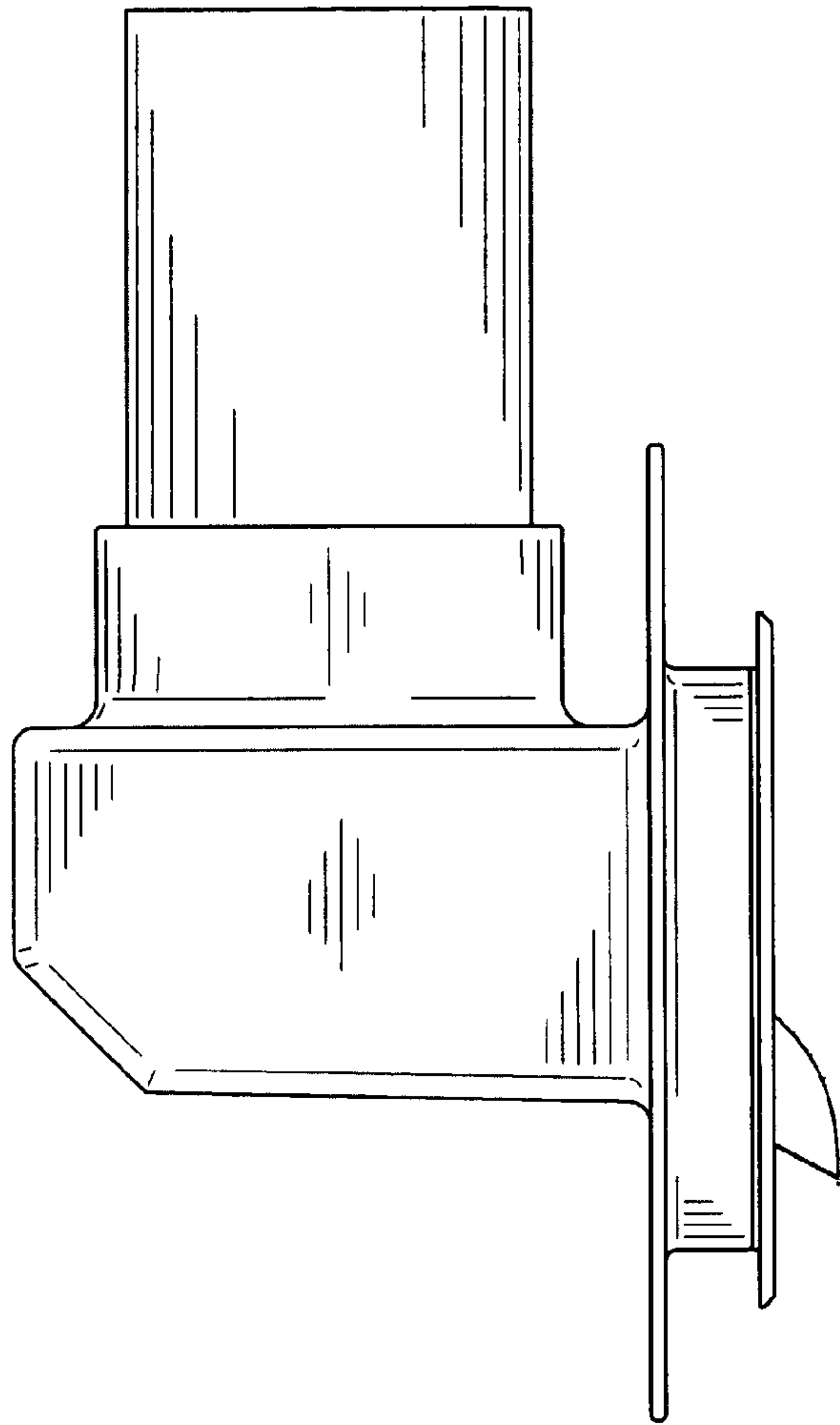


FIG. 4

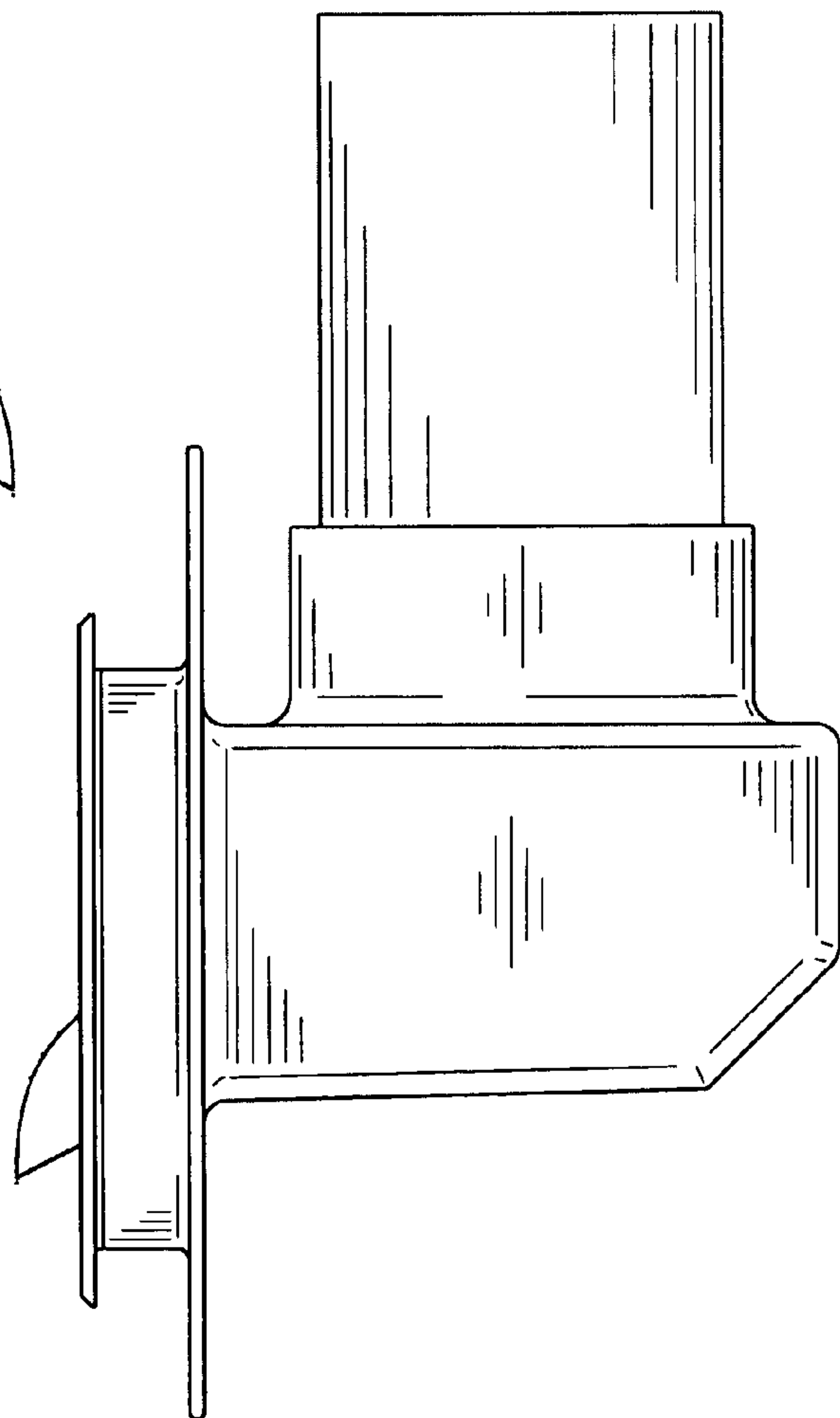


FIG. 5

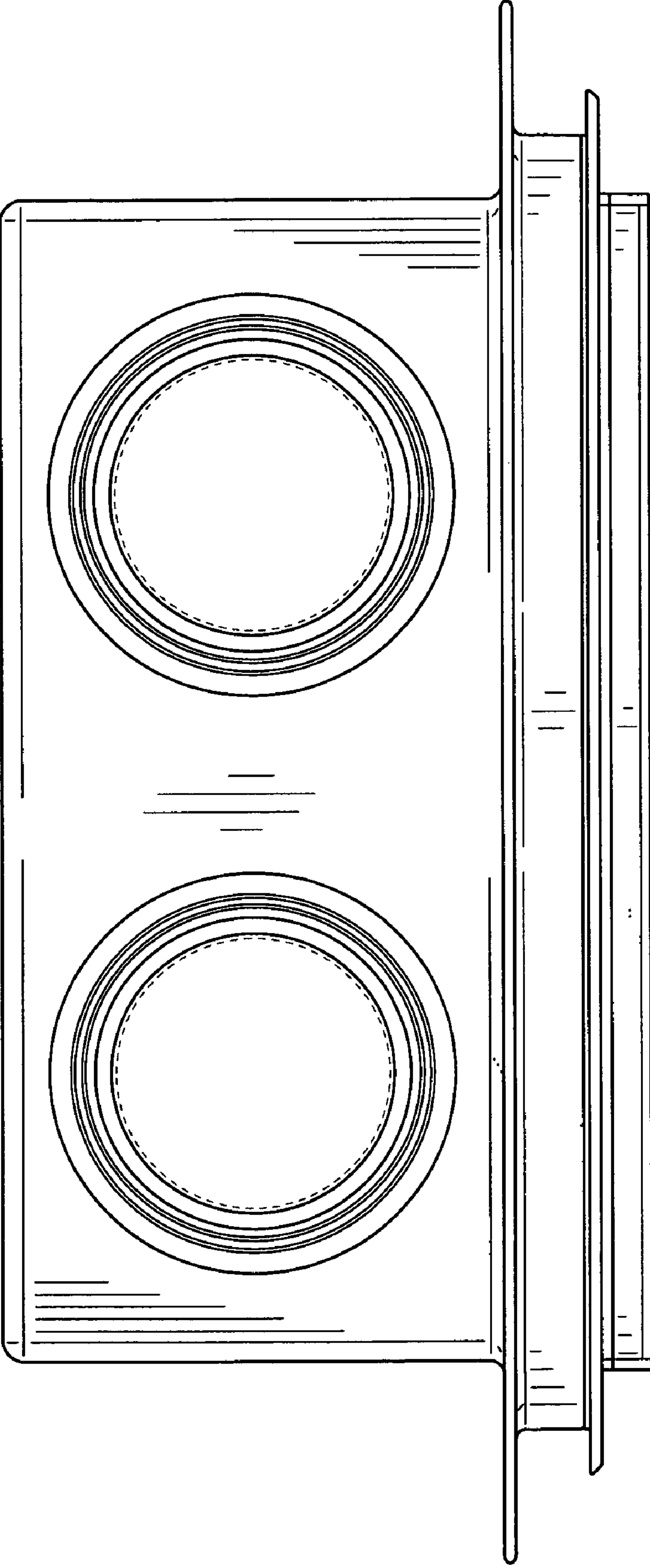


FIG. 6

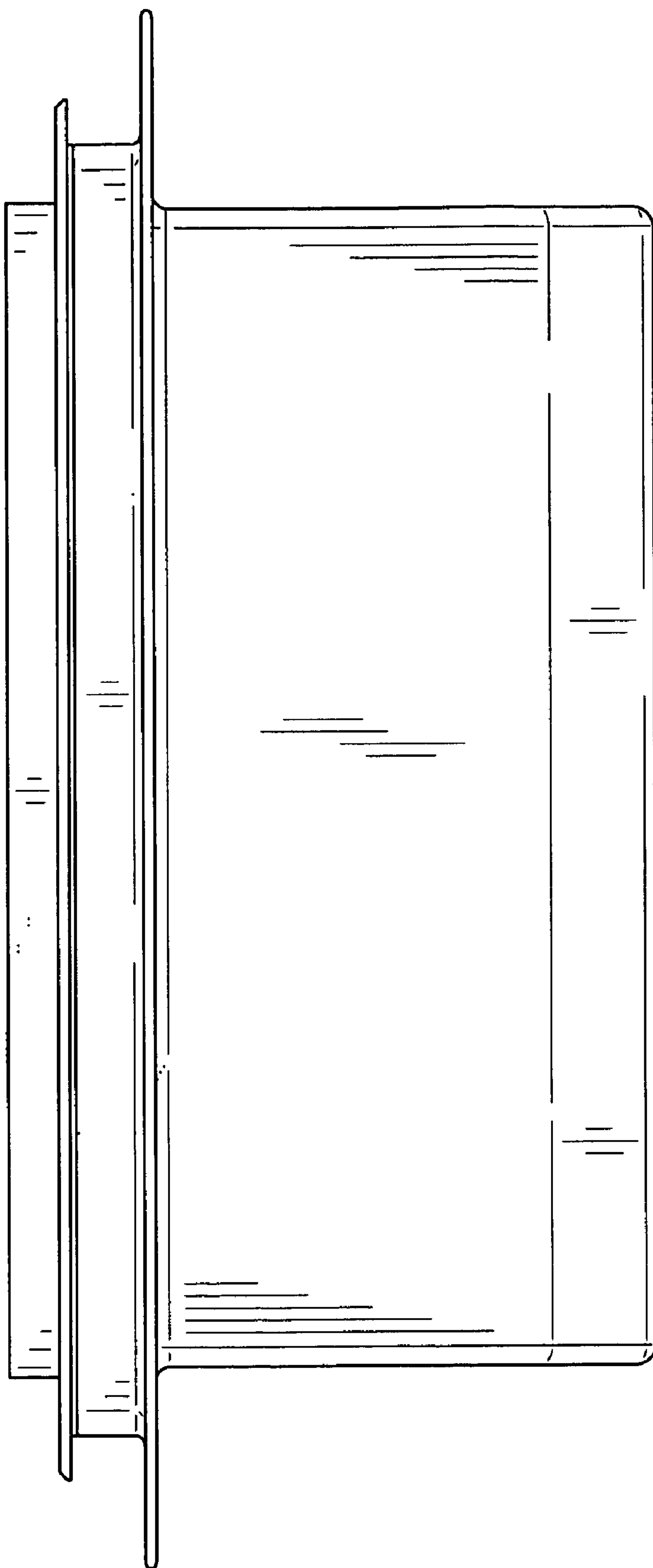


FIG. 7